



# OPERATOR'S MANUAL

MODEL #100136  
12.5-kW HOME STANDBY GENERATOR



REGISTER YOUR PRODUCT ONLINE

at [championpowerequipment.com](http://championpowerequipment.com)



or visit [championpowerequipment.com](http://championpowerequipment.com)

**SAVE THESE INSTRUCTIONS.** This manual contains important safety precautions which should be read and understood before operating the product. Failure to do so could result in serious injury. This manual should remain with the product.

Specifications, descriptions and illustrations in this manual are as accurate as known at the time of publication, but are subject to change without notice.

No part of this publication may be reproduced or used in any form by any means – graphic, electronic or mechanical, including photocopying, recording, taping or information storage and retrieval systems – without the written permission of Champion Power Equipment (CPE).

# PROTECT YOUR INVESTMENT!

Register your product to receive

**FREE  
10 YEAR  
WARRANTY**  
Valued at \$699



[www.championpowerequipment.com/HSB-offer](http://www.championpowerequipment.com/HSB-offer)

## PLUS, GET A FREE T-SHIRT!

In exchange for an honest rating and review of your Champion product, we'll give you a FREE T-SHIRT!



### REGISTRATION REQUIREMENTS



- Full name
- Address where installed
- Phone number
- Email
- Complete model number\* (generator + transfer switch)
- Generator serial number
- Purchase date
- Tshirt size

PROMOTIONAL OFFER VALID FOR ONE HOME STANDBY GENERATOR PURCHASE PER HOUSEHOLD. PLEASE ALLOW UP TO A TOTAL OF 15 BUSINESS DAYS FOR YOUR REGISTRATION TO BE VERIFIED AND FREE ITEMS TO BE MAILED OUT. YOUR 10 YEAR WARRANTY IS ACTIVATED IMMEDIATELY UPON SUBMITTING PRODUCT REGISTRATION THROUGH OUR WEBSITE.

\*COMPLETE MODEL NUMBER CAN BE FOUND ON PURCHASE RECEIPT.

Have questions or need assistance?  
Do not return this product to the store!

## **WE ARE HERE TO HELP!**

Visit our website:

**[www.championpowerequipment.com](http://www.championpowerequipment.com)**

for more info:

Product Info & Updates

Product Registration

Frequently Asked Questions

Tech Bulletins

– or –

**Call our Customer Care Team Toll-Free at:**

**1-877-338-0999**

This manual must be used with Champion Power Equipment (CPE) manuals:

Installation Manual

Transfer Switch Manual

*\*We are always working to improve our products. Therefore, the enclosed product may differ slightly from the image on the cover.*

<b>TABLE OF CONTENTS</b>	
<b>Introduction</b>	<b>5</b>
<b>Home Standby Generator</b>	<b>5</b>
<b>Safety</b>	<b>5</b>
Safety Definitions	5
<b>Important Safety Instructions</b>	<b>6</b>
Carbon Monoxide Hazards	6
Installation Hazards	7
Before Starting	7
Operation Hazards	7
Accidental Starting	7
Electrical Shock Hazards	8
Fire/Explosion Hazards	8
Burn Hazards	8
Entanglement Hazards	8
Battery Hazards	8
Safety Symbols	9
<b>Safety Labels and Hang Tags</b>	<b>11</b>
Safety label and Hang Tag locations	13
<b>General Information</b>	<b>14</b>
Component Identification - 12.5-kW Generator	14
Component Identification – Engine	15
Control Panel	15
FCC Statement	17
CAN ICES-002/NMB-002	17
Battery Charger	18
Emission Requirements	18
Specifications	19
Fuel System	20
Battery Requirements	20
Battery Charging	21
Model and Serial Number	21
<b>Operation</b>	<b>21</b>
High Altitude	21
Enclosure and Access	21
Pre-Start Checklist	21
Turning OFF the Generator	21
<b>Maintenance</b>	<b>22</b>
Scheduled Maintenance Chart	22
Spark Plug Specifications	22
Oil Filter Specifications	22
Engine Oil	22
Changing the Engine Oil	23
Inspect and Clean Engine Air Cleaner	23
Spark Plug	23
Battery Maintenance	24
Corrosion Protection	24
Maintenance After Submersion	24
Storage	24
Return to Service after Storage	25
<b>Troubleshooting HSB</b>	<b>26</b>
<b>Additional Information</b>	<b>28</b>
Identify/Select Standby Circuits	28
Surge Protection	28
Customer Familiarization Summary	28
HSB, ATS Model & Serial Reference ATS Back-up Circuits	29
Maintenance and Service Record	30

 **FOR PARTS BREAKDOWN**

Search by model number at  
[championpowerequipment.com](http://championpowerequipment.com)

## INTRODUCTION

Congratulations on your purchase of a Champion Power Equipment (CPE) product. CPE designs, builds, and supports all of our products to strict specifications and guidelines. With proper product knowledge, safe use, and regular maintenance, this product should bring years of satisfying service.

Every effort has been made to ensure the accuracy and completeness of the information in this manual at the time of publication, and we reserve the right to change, alter and/or improve the product and this document at any time without prior notice.

CPE highly values how our products are designed, manufactured, operated, and serviced as well as providing safety to the operator and those around the generator. Therefore, it is **IMPORTANT** to review this product manual and other product materials thoroughly and be fully aware and knowledgeable of the assembly, operation, dangers and maintenance of the product before use. Fully familiarize yourself, and make sure others who plan on operating the product fully familiarize themselves too, with the proper safety and operation procedures before each use. Please always exercise common sense and always err on the side of caution when operating the product to ensure no accident, property damage, or injury occurs. We want you to continue to use and be satisfied with your CPE product for years to come.

When contacting CPE about parts and/or service, you will need to supply the complete model and serial numbers of your product. Transcribe the information found on your product's nameplate label to the table below

<b>CPE TECHNICAL SUPPORT TEAM</b>
1-877-338-0999
<b>MODEL NUMBER</b>
100136
<b>SERIAL NUMBER</b>
<b>DATE OF PURCHASE</b>
<b>PURCHASE LOCATION</b>

## HOME STANDBY GENERATOR

This home standby generator is intended exclusively for outdoor installation. This generator will operate using either liquified petroleum gas (LPG) or natural gas (NG).

This generator is designed to supply typical home load such as:

Induction motors – sump pumps, refrigerators, air conditioners, furnaces

Electronic items – televisions, computers

Household lighting

Microwaves

This generator is not intended for use in critical life support applications.

Proper sizing of the generator is required to ensure safe operation of appliances. Some appliances require additional wattage to start and must be considered in the sizing of the generator.

## SAFETY

### Safety Definitions

The purpose of safety symbols is to attract your attention to possible dangers. The safety symbols, and their explanations, deserve your careful attention and understanding. The safety warnings do not by themselves eliminate any danger. The instructions or warnings they give are not substitutes for proper accident prevention measures.

#### **DANGER**

DANGER indicates a hazardous situation which, if not avoided, will result in death or serious injury.

#### **WARNING**

WARNING indicates a hazardous situation which, if not avoided, could result in death or serious injury.

#### **CAUTION**

CAUTION indicates a hazardous situation which, if not avoided, could result in minor or moderate injury.

#### **NOTICE**

NOTICE indicates information considered important, but not hazard-related (e.g., messages relating to property damage).

## IMPORTANT SAFETY INSTRUCTIONS

### **⚠ WARNING**

Cancer and Reproductive Harm – [www.P65Warnings.ca.gov](http://www.P65Warnings.ca.gov)

### Carbon Monoxide Hazards

#### **⚠ DANGER**

Generator exhaust contains carbon monoxide, a colorless, odorless, poisonous gas. Breathing carbon monoxide will cause nausea, dizziness, fainting or death. If you start to feel dizzy or weak, get to fresh air immediately.

#### **GENERATOR MUST BE INSTALLED AND OPERATED OUTDOORS ONLY.**

Carbon monoxide (CO) poisoning symptoms include but are not limited to the following:

- Lightheadedness, dizziness, blurred vision
- Physical fatigue, weakness in joints and muscles
- Mental fatigue, sleepiness, inability to concentrate or speak clearly,
- Stomachache, vomiting, nausea

In the event of carbon monoxide (CO) poisoning:

- Seek fresh air immediately
- DO NOT sit, lie down or fall asleep.
- Alert others to the possibility of carbon monoxide (CO) poisoning.
- If the affected person does not improve within minutes of breathing fresh air, call 911 immediately for medical assistance.

#### **⚠ DANGER**

Carbon Monoxide (CO) is a colorless, odorless, poisonous gas. Breathing carbon monoxide will cause nausea, dizziness, fainting or death.

Generator must be installed and operated outdoors only.

NEVER allow exhaust fumes to enter a confined area through windows, doors, air intake vents or other openings of the building

ALWAYS avoid breathing exhaust fumes when near an operating generator.

NEVER alter the generator or modify the exhaust system thereby creating noncompliance with Federal and State emissions regulations, local applicable codes, standards and laws.

NEVER allow blockage of the engine's air intake cooling ventilation system. Doing so can seriously affect performance and safe operation of the generator.

Always install a battery-operated carbon monoxide (CO) detector on each level of any building adjacent to the generator location following the manufacturer's CO detector installation instructions.

#### **⚠ WARNING**

In many U.S. States it is required by law to have a Carbon Monoxide (CO) detector in an occupied home or dwelling. It is strongly recommended that a Carbon Monoxide (CO) detector be installed on each level of any private dwelling or building in operating condition.

A Carbon Monoxide (CO) detector is a device that detects elevated hazardous levels of poisonous CO and will alert the occupants by flashing a visual light indicator and an audible alarm.

#### **⚠ WARNING**

Do not use generator for medical life support uses.

In case of emergency, call 911 immediately.

NEVER use this product to power life support devices or life support appliances.

Inform your electricity provider immediately if you or anyone in your household depends on electrical equipment to live.

Inform your electrical provider immediately if a loss of power would cause you or anyone in your household to experience a medical emergency.

## Installation Hazards

### **⚠ WARNING**

Always have a qualified electrician or installation technician who are familiar with applicable safety codes, standards and regulations install and service the generator.

ALWAYS comply with local, state and national electrical and building codes when installing the generator.

NEVER alter the recommended installation in a way that would render the unit non compliant with these codes.

ALWAYS comply with regulations that Occupational Safety and Health Administration (OSHA) has established.

Always follow the generator manufacturer's instructions.

## Before Starting

### **⚠ WARNING**

Before operation, read and understand the features and controls of the generator, including the safety and maintenance sections of this manual.

The owner/operator is responsible for all periodic maintenance.

Complete all scheduled maintenance in a timely manner.

Correct any issue before operating the generator.

The owner/operator is responsible for the safe operation of this generator.

If any portion of this manual is not understood, contact your Champion dealer for assistance before operating the generator.

For service or parts assistance, contact your Champion dealer if repairs are needed.

NEVER climb or step on any part or components of the generator. Doing so may result in personal injury and cause damage to the exhaust system and/or create leakage to the fuel system.

## Operation Hazards

### **⚠ WARNING**

ALWAYS operate the generator following the manufacturer's instructions. Operating the generator improperly or neglecting maintenance can result in serious injury or possible death.

DO NOT allow children or unqualified persons to operate or service the generator.

NEVER operate the generator with the covers open. Only operate the generator with the covers closed and secured in place.

NEVER leave the generator covers unlocked.

NEVER work on the generator when physically or mentally fatigued. Remain alert at all times when working on the generator.

NEVER operate the generator while under the influence of alcohol or drugs.

## Accidental Starting

### **⚠ WARNING**

ALWAYS prevent the generator from starting while the covers are open. The generator may crank and start at any time without notice. Follow these steps in order:

1. Turn the exercise switch to the OFF position.
2. Switch the main circuit breaker to the OFF position.
3. Turn the ATS control module to the OFF position.
4. Turn the engine control module switch to the OFF position.
5. Disconnect the NEGATIVE, NEG or (-) battery cable first, and then remove the POSITIVE, POS or (+) battery cable.

To return the generator to service, follow these steps in order:

1. Connect the POSITIVE, POS or (+) battery cable first, and then connect the NEGATIVE, NEG or (-) battery cable.
2. Turn the engine control module switch to the ATS position.
3. Turn the ATS control module switch to the AUTO position.
4. Switch the main circuit breaker to the ON position.
5. Turn the exercise switch to the ON position..

### Electrical Shock Hazards

**⚠ WARNING**

Use extreme caution when near the generator while it is operating. The generator produces dangerous voltage.

Avoid contact with bare wires, terminals and connections while the generator is operating.

ALWAYS stand on an insulated dry surface to reduce shock hazard if work must be done on an operating generator.

NEVER wear jewelry that can conduct electricity when working on the generator.

NEVER handle any kind of electrical device while hands or feet are wet, while standing in water or while barefoot.

Proper earth grounding of the frame and external electrical conductive components is required by the National Electrical Code (NEC). State and local codes for proper grounding may also apply.

Avoid direct contact with an electric shock victim. Immediately shut down the source of electrical power. If this is not possible, attempt to free the victim from the live conductor using a nonconducting item such as a dry board or rope. If the victim is unconscious, apply first aid and call 911 immediately.

### Burn Hazards

**⚠ WARNING**

DO NOT touch hot surfaces.

ALWAYS avoid contact with hot exhaust components and gases. Running engines produce heat. Severe burns can occur on contact.

ALWAYS allow hot surfaces to cool to the touch.

### Entanglement Hazards

**⚠ WARNING**

Use extreme caution when near rotating parts. Rotating parts can entangle hands, feet, hair, clothing and/or accessories. Traumatic amputation or severe laceration can result.

Keep hands and feet away from rotating parts.

Tie up long hair and remove jewelry.

Operate equipment with guards in place.

DO NOT wear loose-fitting clothing, dangling drawstrings or items that could become caught.

### Fire/Explosion Hazards

**⚠ WARNING**

Natural Gas (NG) and Liquefied Petroleum Gas (LPG) and their vapors are extremely explosive.

NEVER allow any flames or smoke near the fuel system.

Wipe up any oil spills immediately.

NEVER allow any combustible materials to be near the generator or to be left in the generator compartment.

ALWAYS keep the surrounding area near the generator clean and free of debris.

Be sure to properly purge the fuel lines and leak-test according to applicable codes before placing the generator in service.

Be sure to regularly inspect the fuel system for leaks. NEVER operate the generator if a fuel leak is present.

Install a fire extinguisher near the generator. Keep it properly charged and be familiar with its use. An ABC rated National Fire Protection extinguisher is appropriate for use on standby electric systems. Contact your local fire department with any questions concerning the fire extinguisher.

### Battery Hazards

**⚠ WARNING**



Always read and comply with the battery manufacturer's recommendations for procedures concerning proper battery use and maintenance.













Batteries contain sulfuric acid and generate explosive mixtures of hydrogen and oxygen gases. Keep any device that may cause sparks or flames away from the battery to prevent explosion.





Always wear protective glasses or goggles and protective clothing when working with batteries. You must follow the battery manufacturer's instructions on safety, maintenance and installation procedures.

**Safety Symbols**

Some of the following symbols may be used on this product. Please study them and learn their meaning. Proper interpretation of these symbols will allow you to more safely operate the product.

SYMBOL	MEANING
	Read Operator’s Manual. To reduce the risk of injury, user must read and understand operator’s manual before using this product.
	Eye protection. Always wear eye protection with side shields marked to comply with ANSI Z87.1
	Wear personal protective equipment
	Safety alert symbol
	Asphyxiation hazard
	Electrical shock hazard
	Entanglement hazard
	Fire hazard
	Fire/Explosion. Fuel and its vapors are extremely flammable and explosive. Fire or explosion can cause severe burns or death.
	Hot Surface. To reduce the risk of injury or damage, avoid contact with any hot surface.

SYMBOL	MEANING
	Sever hazard (rotating blade)
	Crush hazard (top)

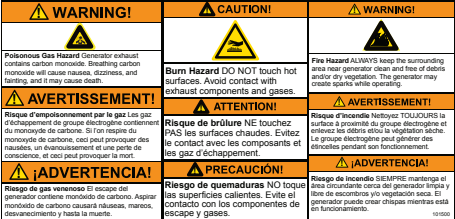




# SAFETY LABELS AND HANG TAGS


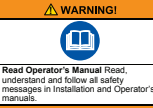

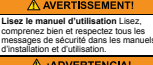
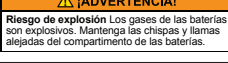
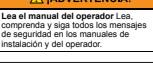


## ⚠ WARNING

DO NOT operate the generator if there are missing or badly worn safety labels. Safety labels must be legible to alert personnel of safety hazards.

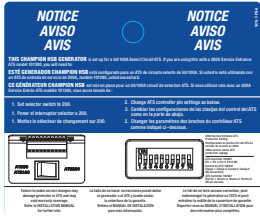
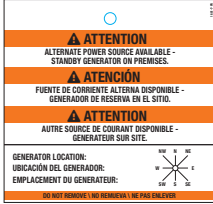
Replace any illegible or missing label immediately. Missing safety labels must be replaced in their original position before the generator is operated.

### Labels

	LABEL	DESCRIPTION	PART NO.
A		Poison, Burn and Fire Warning	101500
B		Burn Warning	100794
C		Electrocution Warning	101045
D		Burn Warning	101051
E		Electrocution Warning	100789

LABEL			DESCRIPTION	PART NO.
F	 <p><b>WARNING!</b> Explosion Hazard Battery gases are explosive. Keep sparks and flames away from the battery compartment.</p>	 <p><b>WARNING!</b> Read Operator's Manual Read, understand and follow all safety messages in Installation and Operator's manuals.</p>	Explosion Warning, Read OM, Starting Warning	101499
	 <p><b>AVERTISSEMENT!</b> Risque d'explosion Les gaz dégagés par la batterie peuvent exploser. Écartez les étincelles et les flammes du compartiment batterie.</p>	 <p><b>AVERTISSEMENT!</b> Lisez le manuel d'utilisation Lisez, comprenez bien et respectez tous les messages de sécurité dans les manuels d'installation et d'utilisation.</p>		
	 <p><b>¡ADVERTENCIA!</b> Riesgo de explosión Los gases de las baterías son explosivos. Mantenga las chispas y llamas alejadas del compartimento de las baterías.</p>	 <p><b>¡ADVERTENCIA!</b> Lea el manual del operador Lea, comprenda y siga todos los mensajes de seguridad en los manuales de instalación y del operador.</p>		
	 <p><b>WARNING!</b> Starting Hazard The generator may crank and start at any time without notice. Prevent the generator from starting while the covers are open. See the safety section of the operator's manual for further details.</p>	 <p><b>AVERTISSEMENT!</b> Risque de démarrage Le groupe électrogène peut tourner et démarrer à tout moment sans préavis. Ne démarrez pas la pompe électrogène lorsque les capots sont ouverts. Consultez la section sécurité du manuel d'utilisation pour plus de détails.</p>		

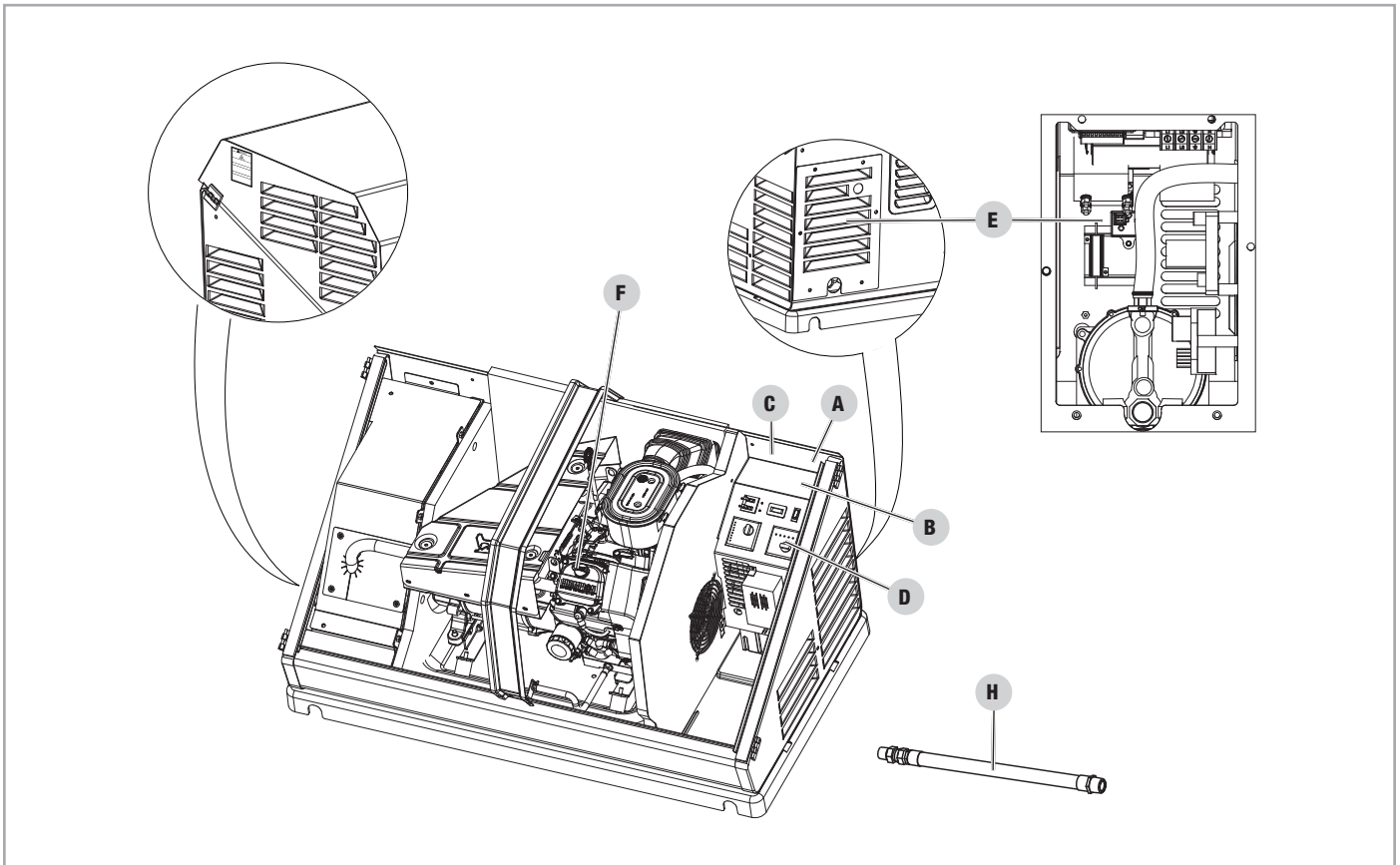
Hang Tags

HANG TAG		DESCRIPTION	PART NO.
1		Service Entrance	1979-T-PR
2		Alternate Power Source	1681-T-PR

## Safety label and Hang Tag locations

The safety labels have specific placement and must be replaced if they are unreadable, damaged or missing.

If a label comes off or becomes hard to read, contact Technical Support Team for possible replacement.

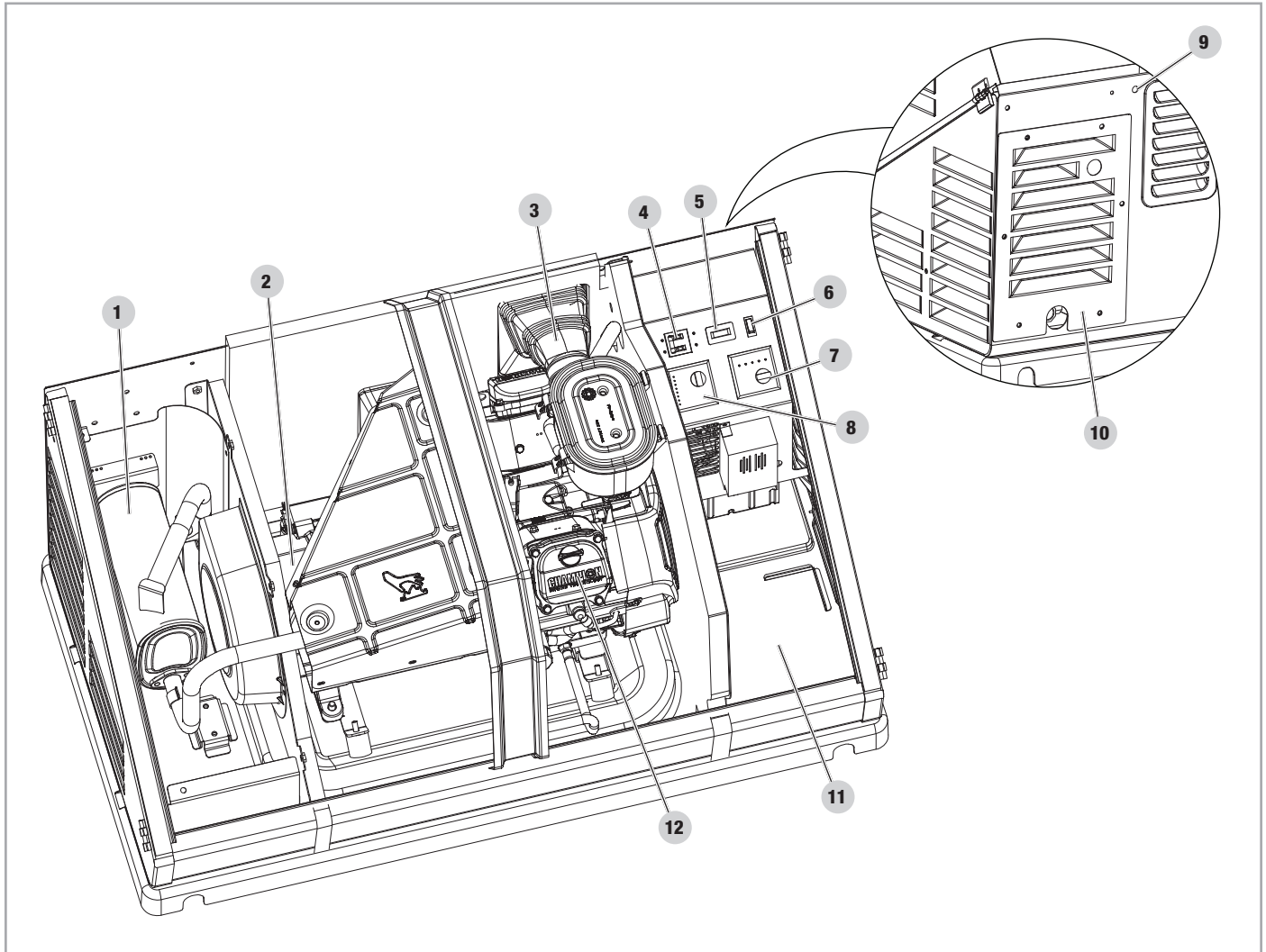


- A. Serial number location
- B. Nameplate
- C. NFPA 37 Compliance
- D. Service Entrance hang tag

- E. Connector assembly (behind panel)
- F. Oil hang tag
- G. Alternate power source (not shown – in the OM bag)
- H. Flexible Fuel Line hang tag

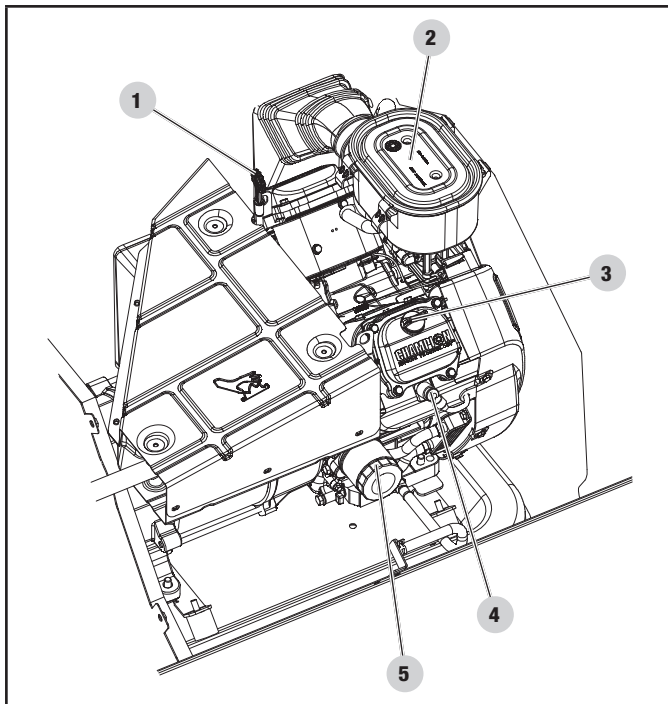
# GENERAL INFORMATION

## Component Identification - 12.5-kW Generator



- |                         |  |
|-------------------------|--|
| 1. Exhaust System       | 8. Engine Control Module                           |
| 2. Alternator           | 9. Exterior Fault Code Indicator Light             |
| 3. Air Inlet            | 10. Fuel Regulator/Wire Connections (behind panel) |
| 4. Main Circuit Breaker | 11. Batteries (not included)                       |
| 5. Hour Meter           | 12. Engine   |
| 6. Exercise Switch      |  |
| 7. ATS Control Module   |  |

### Component Identification – Engine

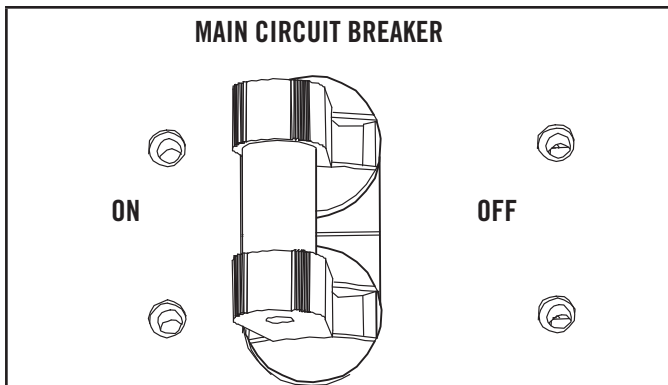


1. Engine Oil Dipstick
2. Air Cleaner
3. Oil Cap
4. Spark Plug (second on opposite side)
5. Oil Filter

### Control Panel

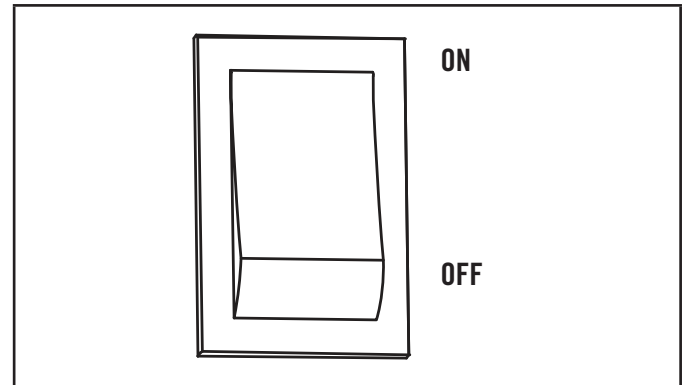
#### MAIN CIRCUIT BREAKER

The 52-amp main circuit breaker protects the generator from circuit overload. The main circuit breaker controls total output of the generator.



#### GENERATOR ON/OFF SWITCH

The exercise switch incorporates a built-in timer. The generator will automatically perform an exercise period once every seven days (168 hours). At the start of the exercise period, the engine will start and run for 15 minutes. Load transfer from the generator output will not occur unless the utility power is lost. When the switch is in the OFF position, the exercise function is disabled. Refer to Set Exercise Time to reset.



#### SET EXERCISE TIME

To set the exercise time, the engine control module switch must be in the ATS mode. Decide on the desired day and time to exercise the generator. Press the exercise switch to ON. The generator will start and run for 15 minutes and then shut off. The exercise time is now set. The generator will begin the next exercise period exactly 168 hours from when the exercise switch was pressed to the ON position.

If you choose to change the current exercise time setting, choose the new day and time and cycle the exercise switch from off to on and it will begin the cycle again.

The exercise time will have to be reset if:

- The battery was disconnected from the generator
- The switch was moved to the OFF position for maintenance

#### HOUR METER

The generator is equipped with an hour meter that will display the generator actual run and exercise times.

#### ENGINE CONTROL MODULE

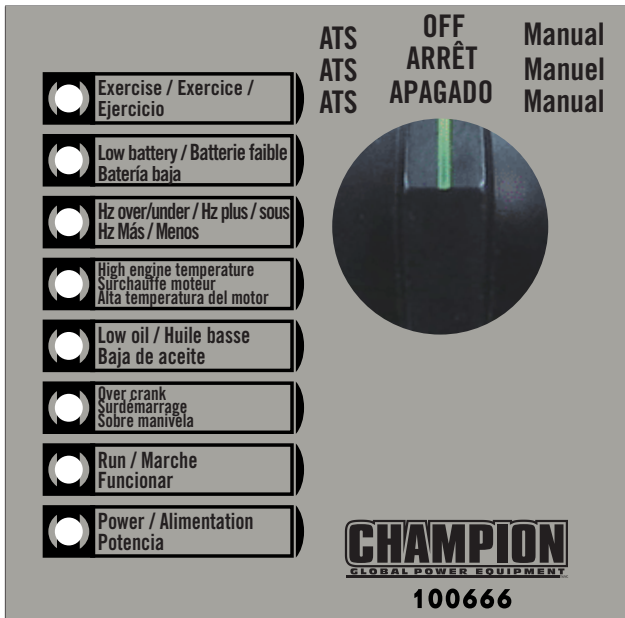
The engine control module contains the ATS/OFF/Manual mode switch and the LEDs that indicate if a generator operation is being performed or if there is an active alarm.

If the exterior fault code indicator light is on, open the enclosure to view the engine control module. Determine what the fault code is and remedy the situation or have the generator serviced by an authorized Service Dealer or contact Champion Customer Service at 1-877-338-0999.

**RESET FAULT CODE(S)**

There is also an exterior fault code indicator light located on the back of the enclosure. This should be checked weekly to make sure there are no active fault codes.

The fault code(s) can be reset by placing the Engine Control Module in the OFF position. This will reset fault LED, however if a fault code(s) re-occurs it must be addressed.



**MODE SWITCH**

ATS – This position allows for fully automatic operation. If utility power is lost, the generator will automatically start up. It also allows the generator to automatically perform the exercise period.

OFF – This position shuts down the engine and prevents automatic operation of the generator.

Manual – This position allows manual starting of the engine. Load transfer from the generator output does not occur unless the utility power is lost.

**EXERCISE LED**

The green LED will be flashing when the HSB is performing the weekly exercise cycle. When the exercise period has completed, the LED will stay lit and the HSB will resume standby monitoring.

**LOW BATTERY LED**

The yellow LED will be lit if the battery voltage fell below 21.0 volts for at least one minute while the engine was running. If battery voltage rises above 21.1 volts, the LED will turn off. Battery voltage is not monitored when cranking the engine.

**HIGH ENGINE TEMP LED**

The red LED will be lit if the engine operating temperature exceeds the factory preset limits. If excessive operating temperature is detected, the HSB will shut down and re-start will be disabled.

The RED LEDs on the module and enclosure exterior are lit.

This failure could be the result of an excessive load or high ambient temperatures. Should this fault occur do the following;

1. Open the enclosure doors to increase air flow throughout the unit.
2. Check oil level, add oil if required.
3. Inspect the interior and exterior of the enclosure for debris, leaves, ect., and remove them to increase air flow around and inside the unit.
4. Once the engine temperature falls into the normal operating range, generally 30 minutes, follow the reset procedures in the manuals specific to your model to clear and correct fault.
5. Close the enclosure doors and the unit is ready to run.

**HZ OVER / UNDER SPEED LED**

The red LED will be lit if the engine was operating above or below its preset speed limit. The engine will shut down, and the LED will remain lit until the generator is repaired and operating correctly. Appliances connected to the generator circuit could be damaged from high generator output if the engine is allowed to operate above its preset limit. If this failure occurs, contact an authorized Service Dealer or contact Champion Customer Service at 1-877-338-0999.

**LOW OIL LED**

The red LED will be lit if the engine oil level has dropped below the safe operating level. When this happens, the engine will shut down. Check the engine oil level before attempting to restart the engine. The engine will not start until the problem is corrected.

**OVER CRANK LED**

The red LED will be lit if the engine tried to start but was unable to start in the specified time period. The engine will try to start five times and if unsuccessful the light will turn on. This may occur on initial start-up, the fuel system needs to be fully pressurized to start and operate. Follow reset procedure on page 16.

**RUN LED**

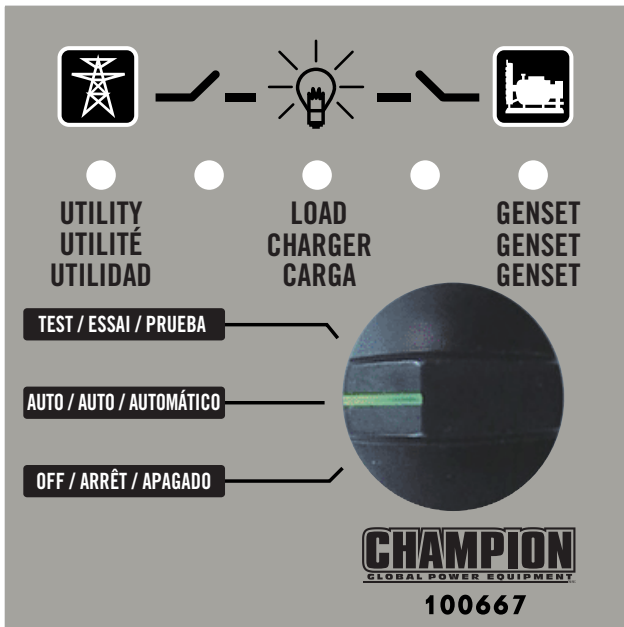
The green LED will be lit indicating the engine is running.

**POWER LED**

The green LED will be lit indicating the generator is working correctly and loads can be connected to it.

## ATS CONTROL MODULE

The ATS control module contains the TEST/AUTO/OFF switch and LEDs that indicate type of power delivery.



### TEST/AUTO/OFF SWITCH

- **TEST** – This position allows verification that the generator power delivery circuit is functional. With the switch in the TEST position, the engine will start and the ATS will transfer. The GENSET LED, ATS LED (middle LED) and LOAD LED should be lit, indicating the generator power delivery circuit is functional.
- **AUTO** – This position allows automatic delivery of power from the generator if there is a utility outage. With the switch in the AUTO position and the engine not running, the UTILITY LED, ATS LED (middle LED) and LOAD LED should be lit, indicating the household is using utility provided power.
- **OFF** – This position will not allow any power to be delivered to the ATS when the engine is running.

## FCC Statement

*\*Applicable in USA only.*

1. This device complies with Part 15 of the FCC Rules. Operation is subject to the following two conditions:
  - 1a. This device may not cause harmful interference.
  - 1b. This device must accept any interference received, including interference that may cause undesired operation.
2. Changes or modifications not expressly approved by the party responsible for compliance could void the user's authority to operate the equipment.

### ⚠ NOTICE

This equipment has been tested and found to comply with the limits for a Class B digital device, pursuant to Part 15 of the FCC Rules. These limits are designed to provide reasonable protection against harmful interference in a residential installation. This equipment generates, uses and can radiate radio frequency energy and if not installed and used in accordance with the instructions, may cause harmful interference to radio communications.

## CAN ICES-002/NMB-002

*\*Applicable in Canada only.*

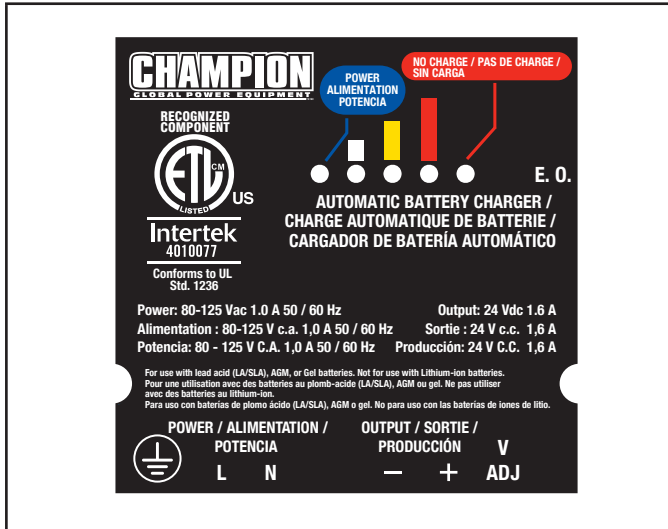
This device complies with Industry Canada license - exempt RSS standard(s).

Operation is subject to the following two conditions:

1. This device may not cause interference, and
2. This device must accept any interference, including interference that may cause undesired operation of the device.

### Battery Charger

The LEDs on the battery charger indicate the state of the battery's charge level. Battery charger rating 24 Vdc 1.6A.



<b>Power</b>	Lit to indicate the battery is fully charged.
<b>Small Bar</b>	Lit to indicate the battery is receiving a trickle charge
<b>Middle Bar</b>	Lit to indicate current output is near 50%.
<b>Large Bar</b>	Lit to indicate the charger is operating above 50% capacity.
<b>No Charge</b>	Lit to indicate a battery charging problem. If this LED is lit, the LED on the Engine Controller module, "LOW BATTERY" will also be lit.

### Emission Requirements

This engine-powered generator meets all United States Environmental Protection Agency (EPA) Phase 3 requirements and is approved for use in both the USA and Canada.

This generator is certified to operate on pipeline NG and LPG (vapor) fuel for use as a stationary engine for standby power generation. Federal and/or local laws may be violated if it is used for any other purpose.

The maintenance schedule must be followed to ensure that the engine complies with the applicable emission standards for the duration of the engine's life.

🗨️ **NOTICE**

For Emission control devices and systems, read and understand your responsibilities for service as stated in the Emission Control Warranty Statement of this manual.

## Specifications

Home Standby Generator	
Maximum continuous power, LPG	12.5 kW
Maximum continuous power, NG	11 kW
Rated voltage	120/240
Amps	104/52 LPG (propane), 91.6/45.8 NG (natural gas)
Harmonic distortion	Less than 5%
Main line circuit breaker	52 amp
Phase	Single
Frequency	60 Hz
Unit weight	425.5 lb. (193 kg)
Size (L x W x H)	49 x 28 x 28 in. (124.5 x 71 x 71 cm)
Engine	
Type	Milwaukee Series OHV Commercial V-Twin
No. of cylinders	2
Displacement	717 cc
Cylinder block	Aluminum with cast iron sleeves
Ignition system	Solid state – magneto
Spark plug	F7RTC (NGK BPR7ES)
Governor	Mechanical
Starter	Electric 24V DC
Oil capacity	1.6 qt (1.5 L)
Oil Type	5W-30 Full Synthetic*
RPM	3600
Controls	
Mode switch auto	Auto start on utility failure
Mode switch manual	Starts on demand
Mode switch off	Stops unit/control and charger active
Ready to run/maintenance messages	Standard
Programmable start delay	Standard
Engine start sequence	Standard
Starter lockout	Standard
Battery charger/low battery indicator	Standard
Charger fault	Standard
AVR over voltage protection	Standard
Low oil protection	Standard
Safety fused	Standard
Overcrank/overspeed/underspeed protection	Standard

\*Serial Number **Y2308250001+**: Unit comes with oil pre-filled in unit.

Serial Number < **Y2308250001**: Unit does not come with oil. You must ADD OIL before starting the unit.

\*\* After 5 hours, change oil per maintenance schedule. The recommended oil type for typical use is 5W-30 full synthetic oil. However, using the listed conventional oils shown in the "Recommended Engine Oil Type" chart may be used for typical use. If running generator in extreme temperatures, refer to the "Recommended Engine Oil Type" chart.

### Fuel System

The engine is fitted with a dual master mixer assembly carburetion system, which allows it to run on either NG or LPG. It has been configured at the factory to run on NG. If your installation requires the engine to run on LPG, orifices in the master mixer assembly carburetor must be changed.

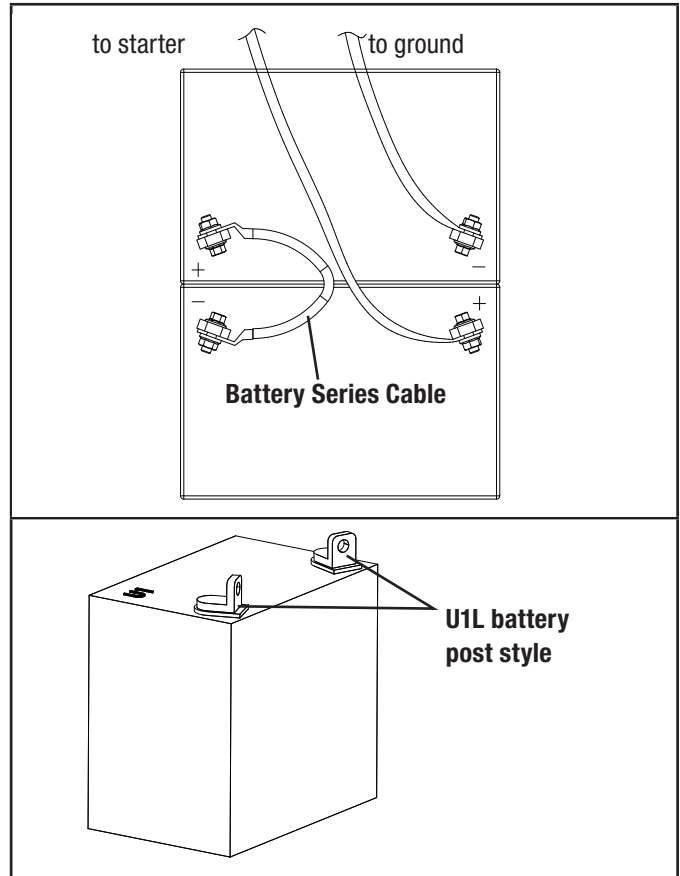
### Battery Requirements

Two (2) 12 volt Group U1L batteries. Battery size: 7 3/4 L x 5 3/16 W x 7 5/16 H inches (196mm L x 131mm W x 185mm H). Purchase batteries locally.

The recommended battery type for typical use is **350 CCA**. This is based on testing in extreme cold and heat -22° F (-30° C) to 104° F (40° C). However, a 300 CCA shown in the "Recommended Battery Type" chart may be used for typical use, if in regularly warmer climates.

Recommended Battery Type					
		← 350 CCA min →			
		← 300 CCA min →			
°F	-40	-4	32	68	104+
°C	-40	-20	0	20	40+
Ambient temperature					

Install positive cable first. Install the battery series cable from the positive (+) terminal of one battery to the negative (-) terminal of the other battery. Always connect the positive (+) battery cable to the generator first.



**⚠ CAUTION**


For battery installation, maintenance, and safety requirements refer to purchased manufacturer battery installation and safety manual.

### Battery Charging

The generator is equipped with an automatic battery charger. The charger will sense the battery’s state of charge and automatically charge the battery when required. LED lights on the charger display the battery state of charge.

### Model and Serial Number

The model and serial number plate is affixed to the generator above the control panel. Have this information if calling for service or ordering parts.

STATIONARY ENGINE DRIVEN GENERATOR / STATIONNAIRE GÉNÉRATEUR ENTRAÎNÉ PAR UN MOTEUR / GENERADOR ACCIONADO POR MOTOR ESTACIONARIO		RATED VOLTAGE	120/240~single-phase	TENSION NOMINALE	120 / 240~monophasées	TENSION NOMINAL	120 / 240~monofásicas	MODEL MODELO MODELE <b>100136</b>
		RATED FREQUENCY	60 Hz	FREQUENCE NOMINALE	60 Hz	FRECUENCIA NOMINAL	60 Hz	
RATED CURRENT	104 A / 52 A (LPG)	COURANT NOMINALE	104 A / 52 A (GPL)	CORRIENTE NOMINAL	104 A / 52 A (GPL)	CORRIENTE NOMINAL	104 A / 52 A (GPL)	 Intertek 4010077 Conforms to UL Std. No. 2200 Certified to CSA Standard C222 No. 100
POWER FACTOR	1.0	FACTEUR DE PUISSANCE	1.0	FACTOR DE POTENCIA	1.0	FACTOR DE POTENCIA	1.0	
MAX LOAD UNBALANCE	50%	MAX DÉSÉQUILIBRE DE CHARGE	50 %	MAX Desequilibrio de la carga	50 %	MAX Desequilibrio del motor	50 %	
RATED ENGINE SPEED	3600 /min	RÉGIME MOTEUR NOMINAL	3600 /min	VELOCIDAD NOMINAL DEL MOTOR	3600 /min			
RATED AMBIENT TEMP	25-40 °C	TEMPÉRATURE AMBIANTE NOMINALE	25-40 °C	TEMPERATURA AMBIENTE NOMINAL	25-40 °C			
INSULATION CLASS	H	ISOLATION DE CLASSE	H	ASISLANTE CLASE	H			
NEUTRAL	FLOATING	NEUTRE	FLOTTANT	NEUTRO	FLOTANTE			
FOR STANDBY SERVICE		POUR LE SERVICE DE SECOURS		PARA EL SERVICIO SUPLENTE				
RAIN-ROOF ENCLOSURE FITTED		BOTIER ÉTANCHE À LA PLUIE ÉQUIPÉ		CARCASA A PRUEBA DE LLUVIA EQUIPADO				

CHAMPION POWER EQUIPMENT  
6370 S Pioneer Way, Unit 101, Las Vegas, NV 89113 USA

P/N:101901

## OPERATION

Before operating the generator, review SAFETY section starting on page 9.

### High Altitude

The density of air at high altitudes is lower than at sea level. Power derates at an elevation over sea level and ambient temperatures over 77 °F (25 °C) are:

General power derate is 1% for every 10 °F above 77 °F. (1% for every 5.6 °C above 25 °C)

Elevation derate is 3.5% for every 1,000 feet (304.8 m) above sea level.

No jet change is required for LPG and NG at high elevations. The zero-pressure regulator is self-compensating since it is balanced to atmospheric pressure.

### Enclosure and Access

Open the enclosure to gain access to the generator and its components. Unlock the handles. Turn the handles and lift the hoods up and to the outside.



### Pre-Start Checklist

To make sure the generator is ready for proper operation, the following items should be checked:

- Fuel valve is in the on position
- No fault code LEDs are lit
- Battery is at full charge
- ATS control module is in the AUTO position
- Engine control module is in the ATS position
- Transfer switch lever is in the Utility Power position

### Turning OFF the Generator

If you need to shut off the generator when it is running, turn the engine control module switch to the OFF position. This will shut off the engine. With the engine control module in the OFF position, the generator will not start, even if there is loss of utility power.

# MAINTENANCE

Before performing maintenance procedures, review SAFETY section starting on page 9.

Ensure that the ATS and Engine Switches are in the OFF position before performing any maintenance or cleaning.

## Scheduled Maintenance Chart

First 5 Hours of Operation	
Change engine oil and filter - Every 100 hours oil and oil filter change are required	√
Weekly	
Check exterior warning LED	√
Inspect and clean enclosure louvers	√
Monthly	
Check engine oil level	√*
Inspect fuel lines and connections	√
Inspect and clean battery terminals	√
Every 2 Years or 100 Hours of Operation	
Change engine oil and filter when maintenance light comes on	√**
Inspect and clean engine air cleaner	√**
Inspect engine spark plug	√
Reset maintenance hour meter every 100 hours	√
Complete inspection of generator, engine tune-up, and valve lash check/adjustment	√***

\* Monthly or 24 hours of continuous operation

\*\* Service sooner if operating in high ambient temperatures or a dusty and dirty environment.

\*\*\* Maintenance should be performed by your service dealer.

## Spark Plug Specifications

OEM Type	F7RTC
Replacement Type	NGK BPR7ES or equivalent
Gap	0.022-0.028 in. (0.55-0.7 mm)

## Oil Filter Specifications

OEM Type	101766 / 717.153000.02
Replacement Type	Fram PH3600 or equivalent

## Engine Oil

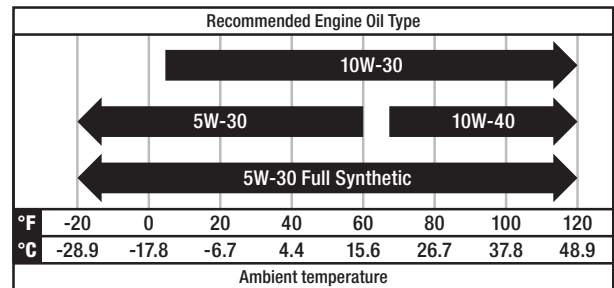
### ENGINE OIL REQUIREMENTS

Use American Petroleum Institute (API) Service Class SN or better. Do not use special additives.

### NOTICE

The recommended oil type for typical use is **5W-30 full synthetic oil**. However, using the listed conventional oils shown in the “Recommended Engine Oil Type” chart may be used for typical use.

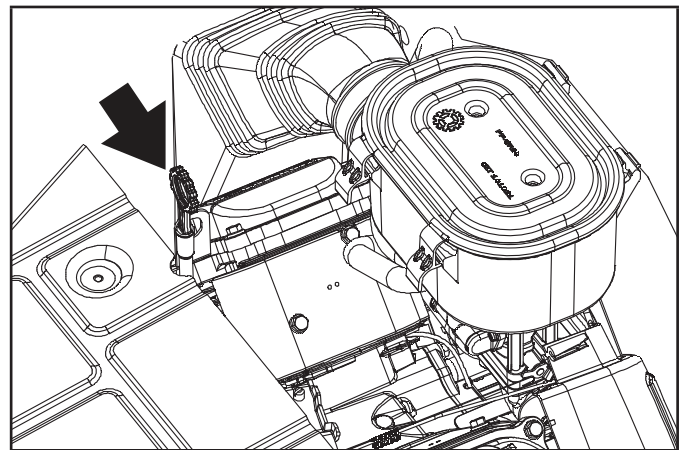
If running generator in extreme temperatures, refer to the “Recommended Engine Oil Type” chart.



## CHECKING THE ENGINE OIL LEVEL

Check the oil level daily when the generator is running for an extended period of time.

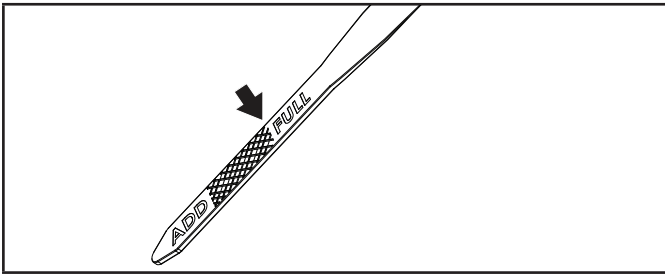
1. If the generator is running during a utility outage, turn off all household loads.
2. Turn the engine control module switch to the OFF position.
3. Remove the dipstick. Wipe it dry with a clean cloth and completely reinsert it into the dipstick tube.



### WARNING

DO NOT overfill the engine with engine oil. Damage to the engine may occur.

4. Install the dipstick.
5. Remove the dipstick. The oil level should be at the FULL mark. If necessary, add oil. DO NOT overfill.



6. Turn the engine control module switch to its prior position.

### Changing the Engine Oil

**⚠ WARNING**

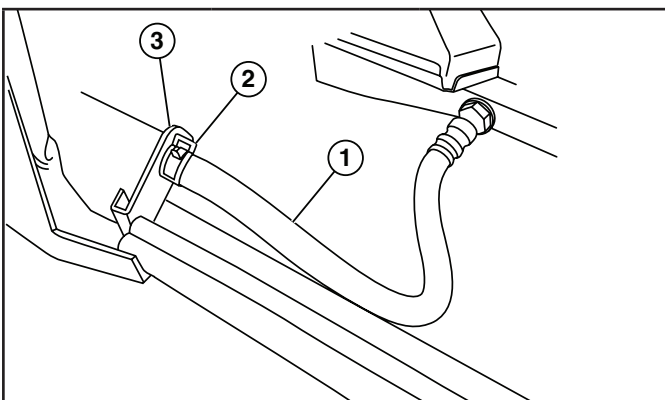
Always wear protective glasses or goggles and protective clothing when changing hot engine oil.

1. Turn the ATS to the OFF position.
2. Turn the engine control module switch to the MANUAL position.
3. Allow the engine to run until it reaches operating temperature.
4. Turn the engine control module switch to the OFF position.

**🗨 NOTICE**

Always be environmentally responsible. Consult the local authorities or reclamations facility for proper disposal of engine oil waste.

5. Position drain pan under alternator.
6. Loosen hose clamp on oil drain hose and slide drain hose off retaining pin.

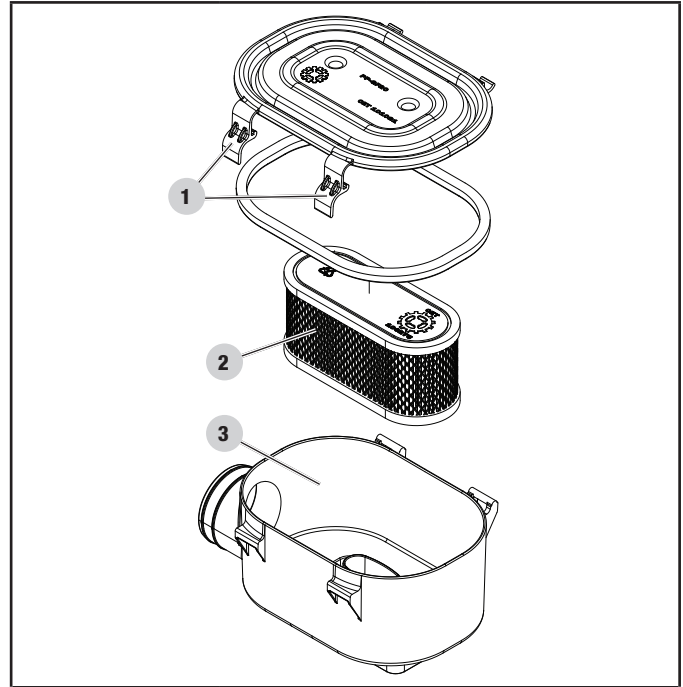


1. Oil Drain Hose	2. Hose Clamp	3. Retaining Pin
-------------------	---------------	------------------

7. Position drain hose into drain pan and allow crankcase to empty.
8. Reinstall the hose onto the retaining pin and reposition hose clamp.
9. Fill the engine with the proper amount of engine oil.
10. Turn the engine control module switch to its prior position.
11. Turn the ATS to the AUTO position.

### Inspect and Clean Engine Air Cleaner

1. Put the generator ON/OFF switch to the OFF position.
2. Unsnap the clips holding the air cleaner cover in place and remove the air cleaner cover.
3. Remove the paper element.



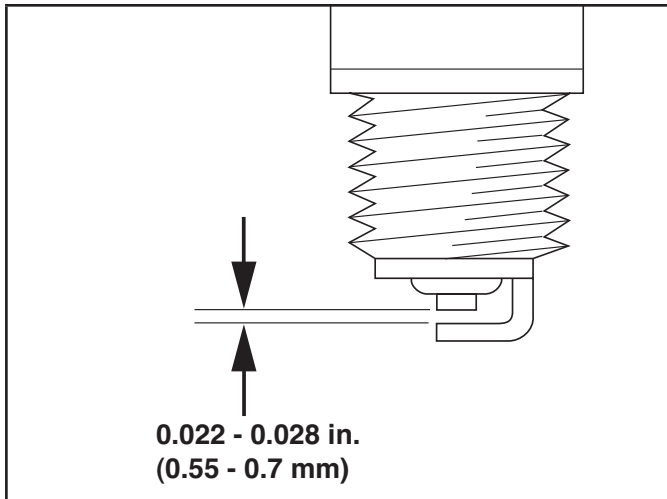
1. Air cleaner cover clips	2. Paper element	3. Air cleaner base
----------------------------	------------------	---------------------

4. Inspect the paper element for any rips or tears. Replace if damaged.
5. Hold the paper element up to a light. You should be able to see light through the paper element, if not replace the element. Inspect air cleaner cover, remove any dirt or debris.
6. Install paper element in the air cleaner housing with the pleats facing towards the air cleaner cover.
7. Install the cover and snap the clips in place.
8. Turn the engine control module switch to its prior position.
9. Reinstall fuse removed in the earlier step.
10. Put the generator ON/OFF switch to the ON position.

### Spark Plug

1. Turn the ATS to the OFF position.
2. Turn the engine control module switch to the OFF position.
3. Remove the spark plug cable from the spark plug.
4. Clean the area around the spark plug to keep dirt out of the engine and remove the spark plug.
5. Inspect the spark plug electrode and replace the plug if the electrode shows signs of deterioration.

- Check the gap before installing the spark plug. The spark plug gap should be 0.022 – 0.028 in. (0.55 – 0.7 mm).



- Carefully thread the spark plug into the engine and tighten to 20-30 N-m (14.8-22.1 lbf-ft).
- Re-connect the spark plug cable.
- Turn the engine control module switch to its prior position.
- Turn the ATS to the AUTO position.

## Battery Maintenance

- Turn the engine control module switch to the OFF position.
- Inspect the battery cables and terminals for corrosion.
- Check that the cables are securely fastened to the terminals.
- Check the ground lug and make sure the connections are tight.
- Check the fluid level of the battery, unless sealed. If low, top off the level using distilled water only.

Follow all battery instructions provided by the battery manufacture.

## Corrosion Protection

### NOTICE

Never use a pressure washer to wash the interior of the generator with water.

Wash the outside of the enclosure using a mild soap and water. Use an automotive-type wax and wax the outside of the enclosure to protect it from the elements. If used in a salt water/coastal area, the enclosure should be washed more frequently to prevent corrosion. Spray light oil on the hinges for the enclosure doors.

## Maintenance After Submersion

### WARNING

Never try to start or operate the generator if it has been submerged underwater or exposed to a flood.

If the generator has been in conditions where it became submerged underwater, the generator must be inspected and maintenance must be performed before returning the generator to service.

Turn engine control module and ATS control module to the OFF position. Have a authorized Champion Dealer inspect the generator and perform any necessary maintenance.

If the house or building has been exposed to a flood, it should be inspected by a certified electrician for any electrical problems that may occur if the generator is put back into service or if utility power is restored.

## Storage

If the generator is not going to be used for several months and not exercised every 7 days, it should be prepared for storage.

- Manually start the engine and run it for several minutes to allow it to warm up.
- With the engine running, turn the fuel shutoff valve to the closed position and let the engine continue to run until it shuts down.
- Once the engine has shut down, turn the engine control module switch and the ATS control module switch to the OFF position.
- Switch the generator's main circuit breaker to the OFF (OPEN) position.
- Turn off the utility power to the transfer switch.
- Disconnect the battery cables. Remove the negative cable first.
- Change the engine oil. See Changing the Engine Oil on page 23.
- Remove the spark plug and spray fogging oil into the spark plug hole. Install the spark plug and tighten.
- Thoroughly wash and wax the exterior of the generator enclosure. Do not use a pressure washer.

## Return to Service after Storage

1. Make sure the utility power to the transfer switch is off.
2. The engine control module switch and the ATS control module switch should be in the OFF position.
3. Check the engine oil level. Add oil if needed.
4. Recharge the batteries to 100% state of charge. If the batteries will not fully charge, replace the batteries.

### WARNING

Always connect the positive (+) battery cable first. After the positive cable is connected, then the negative (-) battery cable can be attached. This minimizes the possibility of electrical contact.

5. Connect the positive (+) battery cable to the positive (+) battery terminal first and then connect the negative battery cable to the negative (-) battery terminal.
6. Clean and wipe down the generator with mild soap and water.
7. Turn the fuel shutoff valve to the ON position.
8. Turn the engine control module switch to the manual position. The engine should start. Run the engine for 15 minutes to allow it to warm up. The fuel system might require more than one start cycle to fully pressurize the fuel system for operation.
9. Make sure there are not any active fault codes.
10. Turn the engine control module switch to the OFF position to shut off the engine.
11. Turn the ATS module switch to the AUTO position.
12. Turn on the utility power to the transfer switch. The utility LEDs on the ATS module should be lit.
13. Turn the engine control module switch to the ATS position.
14. Set the exercise time. See Exercise Switch on pages 16 and 17.

## TROUBLESHOOTING HSB

Engine will not crank/turn over		
1	HSB set in "OFF" mode.	Place the HSB controllers in the AUTO position.
2	Battery not connected or loose, corroded posts or wires	Connect the batteries according to owner's manual, clean and tighten the battery connections
3	Battery(s) not charged or low charge.	Recharge or replace battery(s).
4	Check for active fault code.	Identify fault code, correct and reset.
5	Defective starter solenoid *	
6	Defective starter *	
7	Engine switch is in the OFF position.	Check the engine switch is in the ON position.

Generator will crank/turn over but will not start		
1	Check for active fault code.	Identify fault code, correct and reset.
2	Fuel valve(s) turned off.	Turn on fuel supply.
3	Fuel pressure insufficient*.	Manometer check, confirm fuel pressure to fuel regulator*.
4	Weak battery(s).	Recharge or replace battery(s)
5	Low oil level.	Check for oil leaks. Check the oil level and add oil if necessary.
6	Spark plug wire is disconnected.	Connect spark plug wire.
7	Defective fuel solenoid/regulator. *	

Engine starts, runs rough		
1	Fuel pressure insufficient*.	Manometer check, confirm fuel pressure to fuel regulator*.
2	Wrong fuel jets.	Check jets for NG or LPG, change to correct Master Mixer fuel jets.
3	Faulty spark plug, loose spark plug wire.	Change spark plug, set gap, connect wire.
4	Plugged air cleaner	Clean or replace air cleaner.
5	Generator overloaded*.	Remove one or more loads*.
6	Shorted circuit *	

HSB starts, then suddenly stops		
1	Check for active fault code.	Identify fault code, correct and reset.
2	Fuel supply insufficient*	Manometer check, confirm fuel pressure to fuel regulator*.
3	Low oil pressure shut down.	Check for oil leaks. Check the oil level and add oil if necessary.
4	Generator over loaded.	Turn off standby circuits for house, reset fault, place unit back into AUTO mode. Turn on standby circuits for house. If problem returns contact Champion or Champion service dealer*.
5	Engine high/over temperature shut down.	Check all intake and exhaust ventilation around the HSB, remove all debris. Let HSB sit for 30 minutes to cool down.

<b>No AC output</b>		
<b>1</b>	Circuit breaker in "OFF" position	Turn on breaker.
<b>2</b>	Main circuit breaker in "OFF" position.	Turn on breaker.
<b>3</b>	Transfer switch breaker in "OFF" position.	Turn on breaker.
<b>4</b>	Standby breakers set in "OFF" position.	Turn on breaker.
<b>5</b>	Line circuit tripping breaker because of short circuit *	
<b>6</b>	Line circuit tripping breaker because of overload *	
<b>7</b>	Poor wiring connections*	
<b>8</b>	ATS problems*	

**Reset fault code(s)**

There is an exterior fault code indicator light located on the back of the enclosure. This should be checked weekly to make sure there are no active fault codes.

<b>Maintenance</b>		
<b>1</b>	The maintenance hour meter counts from 100 hours to 0. You need to reset when the hour meter reaches 0.	Refer to "Resetting the maintenance hour meter" for instructions after performing maintenance.

**BATTERY(S) NO OR LOW LEVEL CHARGED, BATTERY(S) DEAD, NEEDS REPLACEMENT, THE EXERCISE TIME MUST BE RESET ONCE THE BATTERY(S) HAVE BEEN DISCONNECTED.**

*\*\*Contact Champion Power Equipment, Technical Service toll free 1-877-338-0999, tech@championpowerequipment.com or your nearest Champion dealer.*

www.championpowerequipment.com

## ADDITIONAL INFORMATION

### Identify/Select Standby Circuits

#### Identify the basic needs

It is very important to understand what items the home owner wants powered by the HSB during a utility failure. The selection of these items will indicate which circuits will be selected for connection to the ATS so that they are powered by the HSB. Unforeseen power outages can last from minutes to days, so it is important to focus circuit selections on those that power household items that are deemed essential and within the output capability of the HSB.

An authorized or certified dealer or electrician can come to your home and measure the loads with a clamp-on AMP meter which would provide accurate load demands for each circuit tested.

Once you have identified the customer needs, you can properly size the HSB by referring to the sizing guide provided by Champion, [www.championpowerequipment.com](http://www.championpowerequipment.com) or call Champion 1-877-338-0999.

Circuits must be protected by the same size breaker. For example, a 15 amp 120 volt circuit in the ATS will replace a 15 amp 120 volt circuit in the main utility distribution panel. When tied together or backed up, the breakers must be the same size.

### Surge Protection

#### **⚠ CAUTION**

Voltage fluctuation may impair the proper functioning of sensitive electronic equipment.

Electronic devices, including computers and many programmable appliances use components that are designed to operate within a narrow voltage range and may be affected by momentary voltage fluctuations. While there is no way to prevent voltage fluctuations, you can take steps to protect sensitive electronic equipment.

1. Install UL1449, CSA-listed, plug-in surge suppressors on the outlets feeding your sensitive equipment. Surge suppressors come in single or multi-outlet styles. They're designed to protect against virtually all short-duration voltage fluctuations.

### Customer Familiarization Summary

It's important to educate the home owner on proper maintenance, operation and service call procedures. A properly educated home owner can reduce unnecessary service trips and phone calls.

Ensure that the installation of the HSB and ATS has been correctly performed as outlined by the manufacturer and that it meets all applicable codes.

Test and confirm proper operation of the HSB and ATS system as outlined in the appropriate installation and owner's manuals.

Educate the home owner on the location and operation of;

- Full flow shutoff valve
- Automatic operation of the HSB system
- Battery Charger and LED indicators
- Exterior fault code indicator LED on the backside of the HSB
- ATS operation
- Exercise scheduled time of operation
- Scheduled Maintenance
- Fill out and provide the customer a copy of the HSB, ATS model & serial number reference. This information is extremely important for part purchases and service information, these numbers are specific to each HSB and ATS.
- Fill out and provide the customer a copy of the ATS back-up circuits.
- Fill out the Circuit Label inside the ATS.

It's always a good business practice to place business cards in the Owner's and Installation manuals and place dealer stickers on the HSB and ATS for the customer's reference.

**HSB, ATS Model & Serial Reference ATS Back-up Circuits**

HSB Model Number \_\_\_\_\_

HSB Serial Number \_\_\_\_\_

Fuel Type    LPG \_\_\_\_\_ NG \_\_\_\_\_

ATS Model Number \_\_\_\_\_

ATS Serial Number \_\_\_\_\_

ATS circuits powered \_\_\_\_\_

\_\_\_\_\_

\_\_\_\_\_

\_\_\_\_\_

\_\_\_\_\_

\_\_\_\_\_

\_\_\_\_\_

Date Installed \_\_\_\_\_

Dealer/Installer \_\_\_\_\_

Address \_\_\_\_\_

Phone \_\_\_\_\_

Cell \_\_\_\_\_

Purchased from \_\_\_\_\_

**Maintenance and Service Record**

Keeping accurate records when any service is performed is important. Records replace guessing when a repair was done or when it should be scheduled. Hour Meter notation as well as the date provides better time period records. To maintain the overall performance throughout the life of the product follow the scheduled maintenance chart contained in your owner's manual or refer to [www.championpowerequipment.com](http://www.championpowerequipment.com). Genuine Champion parts must be used to ensure warranty coverage.

Date \_\_\_\_\_

Hour Meter \_\_\_\_\_

Service Performed \_\_\_\_\_

---

---

---

---

---

---

---

---

---

---

Record the name, address and phone number of your authorized Champion dealer

---

---

---

---

---

---

---

---

---

---

# 10 YEAR LIMITED WARRANTY\*

## Basic Warranty Provisions

### Champion Air-Cooled 8.5kW – 22kW Home Standby Units USA and Canadian Models

For a period of 10 years or 2000 hours (whichever occurs first) from successful activation by an Authorized Champion Home Standby Dealer, Champion Power Equipment will, at its option, repair or replace any part(s) which upon examination, inspection and testing by Champion Power Equipment or an Authorized Champion Home Standby Dealer is found to be defective under normal use and service, in accordance with the Warranty Schedule set forth below.

Any equipment that the purchaser/owner claims to be defective must be examined by the nearest Authorized/Certified Champion Home Standby Service Dealer. This warranty applies only to Champion Power Equipment automatic standby generators used in "Standby" applications as Champion has defined Standby. Scheduled Maintenance, as outlined by the generator owner's manual is required. This Scheduled Maintenance should be performed by a knowledgeable, experience operator or an Authorized/Certified Champion Home Standby Service Dealer.

### WARRANTY SCHEDULE

Years 1 and 2 – Limited comprehensive coverage on mileage, labor and parts

Years 3 through 10 – Limited comprehensive coverage on parts only

### GUIDELINES:

- Warranty begins upon the successful activation of the unit.
- Unit should be Registered and Proof of Purchase and Maintenance must be available.
- Warranty is transferable between ownership of original installation site.
- Warranty only applies to permanently wired and mounted units.
- Any and all warranty repairs and/or concerns must be performed and/or addressed by an Authorized/Certified Champion Home Standby Service Dealer. Repairs or diagnostics performed by individuals other than Authorized/Certified Champion Home Standby Service Dealers not authorized in writing by Champion Power Equipment will not be covered.
- A Champion approved Transfer Switch is highly recommended to be used in conjunction with the generator set. The Champion Transfer Switch is covered under its own, separate warranty listed in the Transfer Switch Instruction Manual and is not covered under this warranty schedule.
- If a Non-Champion approved Transfer Switch is substituted for use and directly causes damage to the generator set, no warranty coverage shall apply.

- Steel enclosures are warranted against rusting for the first year of ownership only. Damage caused after receipt of generator is the responsibility of the owner and is not covered by this warranty. Nicks, scrapes, dents or scratches to the painted enclosure should be repaired promptly by the owner.
- All warranty expense allowances are subject to the conditions defined in Champion Power Equipment "Home Standby" Warranty Policy and Procedures Manual.

### THIS WARRANTY SHALL NOT APPLY TO THE FOLLOWING:

- Original installation or start-up costs
- Champion Home Standby generators that utilize non-Champion Power Equipment replacement parts
- Costs of normal maintenance (i.e. tune-ups, associated part(s), adjustments, loose/leaking clamps, installation and start-up)
- Units sold, rated or used for "Prime Power", "Trailer Mounted" or "Rental Unit" applications
- Damage to generator system (including transfer switch) caused by improper installation or costs necessary to correct installation
- Units used for Prime Power in place of existing utility power (where utility power is present) or in place of utility power where utility power service does not normally exist. Prime power includes any application that does not use the utility grid for electric power (example: Solar power)
- Fuel connections other than conventional utility company supplied natural gas systems or conventional LP vapor withdrawal systems
- Any failure caused by contaminated fuels, oils or lack of proper fuels, oils or failure to perform scheduled maintenance and service the air filter
- Steel enclosures that are rusting due to the improper installation, location in a harsh or saltwater environment or scratched where integrity of paint applied is compromised
- Failures due, but not limited, to normal wear and tear, accident, misuse, abuse, negligence or improper installation. As with all mechanical devices, the Champion engines need periodic part(s) service and fluid replacement to perform as designed.
- Failures caused by any external cause or act of God, such as collision, theft, vandalism, riot or wars, nuclear holocaust, fire, freezing, lightning, earthquake, windstorm, hail, volcanic eruption, water or flood, tornado or hurricane
- Damage related to rodent and/or insect infestation
- Covered warranty labor rates are based on normal working hours. Overtime, holiday, or emergency labor costs for repairs outside of normal business hours will be the responsibility of the customer

- Any incidental, consequential or indirect damages caused by defects in materials or workmanship, or any delay in repair or replacement of the defective part(s)
- Failure due to misapplication to provide sufficient cooling air and to regularly exercise the generator under load
- Telephone, cellular phone, facsimile, internet access or other communication expenses
- Living or travel expenses of person(s) performing service, except as specifically included within the terms of a specific unit warranty period
- Expenses related to “customer instruction” or troubleshooting where no manufacturing defect is found
- Rental equipment used while warranty repairs are being performed and/or overnight freight costs for replacement part(s)
- Costs incurred for equipment used for removal and/or reinstallation of generator, (i.e.: cranes, hoists, lifts, etc.)
- Planes, ferries, railroad, buses, helicopters, snowmobiles, snow-cats, off-road vehicles or any other mode of transport deemed abnormal
- Starting batteries, fuses, light bulbs, engine fluids, and spark plugs

## Contact Information

### Address

Champion Power Equipment, Inc.  
 Customer Service  
 6370 S Pioneer Way, Unit 101  
 Las Vegas, NV 89113 USA  
[www.championpowerequipment.com](http://www.championpowerequipment.com)

### Customer Service and Technical Support

Toll Free: 1-877-338-0999  
[hsb@cpeauto.com](mailto:hsb@cpeauto.com)  
 Fax no.: 1-562-236-9429

**THIS WARRANTY AND THE ATTACHED U.S. EPA WARRANTY ARE IN LIEU OF ALL OTHER WARRANTIES, EXPRESS OR IMPLIED, INCLUDING WARRANTIES OF MERCHANTABILITY OR FITNESS FOR A PARTICULAR PURPOSE.**

Any implied warranties which are allowed by law, shall be limited in duration to the terms of the express warranty provided herein. Some states do not allow limitations on how long an implied warranty lasts, so the above limitation may not apply to purchaser/owner.

**CHAMPION POWER EQUIPMENT’S ONLY LIABILITY SHALL BE THE REPAIR OR REPLACEMENT OF PART(S) AS STATED ABOVE. IN NO EVENT SHALL CHAMPION POWER EQUIPMENT BE LIABLE FOR ANY INCIDENTAL, OR CONSEQUENTIAL DAMAGES, EVEN IF SUCH DAMAGES ARE A DIRECT RESULT OF CHAMPION POWER EQUIPMENT’S NEGLIGENCE.**

Some states do not allow the exclusion or limitation of incidental or consequential damages, so the above limitations may not apply to purchaser/owner. Purchaser/owner agrees to make no claims against Champion Power Equipment based on negligence. This warranty gives purchaser/owner specific legal rights. Purchaser/owner also may have other rights that vary from state to state.

To obtain warranty service or your nearest Champion Home Standby Dealer call Champion Power Equipment Customer Service toll free 1-877-338-0999.

**CHAMPION POWER EQUIPMENT, INC. (CPE)  
AND THE UNITED STATES ENVIRONMENT PROTECTION AGENCY (U.S. EPA)  
EMISSION CONTROL SYSTEM WARRANTY**

**Your Champion Power Equipment (CPE) engine complies with U.S. EPA emission regulations.**

**YOUR WARRANTY RIGHTS AND OBLIGATIONS:**

The US EPA AND CPE are pleased to explain the Federal Emission Control Systems Warranty on your 2023 small off-road engine (SORE) and engine powered equipment. New engines and equipment must be designed, built and equipped, at the time of sale, to meet U.S. EPA regulations for small off-road engines (SORE). CPE warrants the emission control system on your small off-road engine (SORE) and equipment for the period of time listed below, provided there has been no abuse, neglect, unapproved modification, or improper maintenance of your equipment.

Your emission control system may include parts such as the carburetor, fuel-injection system, the ignition system, catalytic converter and fuel lines. Also included may be hoses, belts, connectors and other emission related assemblies. Where a warrantable condition exists, CPE will repair your small off-road engine (SORE) at no cost to you including diagnosis, parts and labor.

**MANUFACTURER'S EMISSION CONTROL SYSTEM WARRANTY COVERAGE:**

This emission control system is warranted for two years, subject to provisions set forth below. If, during the warranty period, an emission related part on your engine is defective in materials or workmanship, the part will be repaired or replaced by CPE.

**OWNER WARRANTY RESPONSIBILITIES:**

As the small off-road engine (SORE) owner, you are responsible for the performance of the required maintenance listed in your Owner's Manual. CPE recommends that you retain all your receipts covering maintenance on your small off-road engine (SORE), but CPE cannot deny warranty solely for the lack of receipts or for your failure to ensure the performance of all scheduled maintenance.

As the small off-road engine (SORE) owner, you should however be aware that CPE may deny you warranty coverage if your small, off-road engine (SORE) or a part has failed due to abuse, neglect, improper maintenance or unapproved modifications.

You are responsible for presenting your small off-road engine (SORE) to an Authorized CPE service outlet or alternate service outlet as described in (3)(f.) below, CPE dealer or CPE, Las Vegas, NV. as soon as a problem exists. The warranty repairs should be completed in a reasonable amount of time, not to exceed 30 days.

If you have any questions regarding your warranty rights and responsibilities, you should contact:

Champion Power Equipment, Inc.  
Customer Service  
6370 S Pioneer Way, Unit 101  
Las Vegas, NV 89113  
1-877-338-0999  
tech@championpowerequipment.com

## **EMISSION CONTROL SYSTEM WARRANTY**

**The following are specific provisions relative to your Emission Control System (ECS) Warranty Coverage.**

- 1. APPLICABILITY:** This warranty shall apply to 1997 and later model year small off-road engines (SORE). The ECS Warranty Period shall begin on the date the new engine or equipment is delivered to its original, end-use purchaser, and shall continue for 24 consecutive months thereafter.
- 2. GENERAL EMISSIONS WARRANTY COVERAGE**

CPE warrants to the original, end-use purchaser of the new engine or equipment and to each subsequent purchaser that each of its small off-road engines (SORE) is:

  - 2a. Designed, built and equipped so as to conform to U.S. EPA emissions standards for spark-ignited engines at or below 19 kilowatts.
  - 2b. Free from defects in materials and workmanship that cause the failure of a warranted part to be identical in all material respects to the part as described in the engine manufacturer's application for certification for a period of two years.
- 3. THE WARRANTY ON EMISSION-RELATED PARTS WILL BE INTERPRETED AS FOLLOWS:**
  - 3a. Any warranted part that is not scheduled for replacement as required maintenance in the Owners Manual shall be warranted for the ECS Warranty Period. If any such part fails during the ECS Warranty Period, it shall be repaired or replaced by CPE according to Subsection "d" below. Any such part repaired or replaced under the ECS Warranty shall be warranted for any remainder of the ECS Warranty Period.
  - 3b. Any warranted, emissions-related part which is scheduled only for regular inspection as specified in the Owners Manual shall be warranted for the ECS Warranty Period. A statement in such written instructions to the effect of "repair or replace as necessary", shall not reduce the ECS Warranty Period. Any such part repaired or replaced under the ECS Warranty shall be warranted for the remainder of the ECS Warranty Period.
  - 3c. Any warranted, emissions-related part which is scheduled for replacement as required maintenance in the Owner's Manual shall be warranted for the period of time prior to the first scheduled replacement point for that part. If the part fails prior to the first scheduled replacement, the part shall be repaired or replaced by CPE according to Subsection "d" below. Any such emissions-related part repaired or replaced under the ECS Warranty, shall be warranted for the remainder of the ECS Warranty Period prior to the first scheduled replacement point for such emissions-related part.
  - 3d. Repair or replacement of any warranted, emissions-related part under this ECS Warranty shall be performed at no charge to the owner at a CPE Authorized Service Outlet.
  - 3e. The owner shall not be charged for diagnostic labor which leads to the determination that a part covered by the ECS Warranty is in fact defective, provided that such diagnostic work is performed at a CPE Authorized Service Outlet.
  - 3f. CPE shall pay for covered emissions warranty repairs at non-authorized service outlets under the following circumstances:
    - i. The service is required in a population center with a population over 100,000 according to U.S. Census 2000 without a CPE Authorized Service Outlet AND
    - ii. The service is required more than 100 miles from a CPE Authorized Service Outlet. The 100 mile limitation does not apply in the following states: Alaska, Arizona, Colorado, Hawaii, Idaho, Montana, Nebraska, Nevada, New Mexico, Oregon, Texas, Utah and Wyoming.
  - 3g. CPE shall be liable for damages to other original engine components or approved modifications proximately caused by a failure under warranty of an emission-related part covered by the ECS Warranty.
  - 3h. Throughout the ECS Warranty Period, CPE shall maintain a supply of warranted emission-related parts sufficient to meet the expected demand for such emission-related parts.
  - 3i. Any CPE Authorized and approved emission-related replacement part may be used in the performance of any ECS Warranty maintenance or repair and will be provided without charge to the owner. Such use shall not reduce CPE's warranty obligation.
  - 3j. Unapproved add-on or modified parts may not be used to modify or repair a CPE engine. Such use voids this ECS Warranty and shall be sufficient grounds for disallowing an ECS Warranty claim. CPE shall not be liable hereunder for failures of any warranted parts of a CPE engine caused by the use of such an unapproved add-on or modified part.

**EMISSION-RELATED PARTS INCLUDE THE FOLLOWING: (using those portions of the list applicable to the engine)**

<b>Systems covered by this warranty</b>	<b>Parts Description</b>
Fuel Metering System	Fuel regulator, Carburetor and internal parts
Air Induction System	Air cleaner, Intake manifold
Ignition System	Spark plug and parts, Magneto ignition system
Exhaust System	Exhaust manifold, catalytic converter
Miscellaneous Parts	Tubing, Fittings, Seals, Gaskets, and Clamps associated with these listed systems.
Evaporative Emissions	Fuel Tank, Fuel Cap, Fuel Line (for liquid fuel and fuel vapors), Fuel Line Fittings, Clamps, Pressure Relief Valves, Control Valves, Control Solenoids, Electronic Controls, Vacuum Control Diaphragms, Control Cables, Control Linkages, Purge Valves, Gaskets, Vapor Hoses, Liquid/Vapor Separator, Carbon Canister, Canister Mounting Brackets, Carburetor Purge Port Connector

**TO OBTAIN WARRANTY SERVICE:**

You must take your CPE engine or the product on which it is installed, along with your warranty registration card or other proof of original purchase date, at your expense, to any Champion Power Equipment dealer who is authorized by Champion Power Equipment, Inc. to sell and service that CPE product during his normal business hours. Alternate service locations defined in Section (3)(f.) above must be approved by CPE prior to service. Claims for repair or adjustment found to be caused solely by defects in material or workmanship will not be denied because the engine was not properly maintained and used.

**If you have any questions regarding your warranty rights and responsibilities, or to obtain warranty service, please write or call Customer Service at Champion Power Equipment, Inc.**

**Champion Power Equipment, Inc.**  
6370 S Pioneer Way, Unit 101  
Las Vegas, NV 89113  
1-877-338-0999  
Attn.: Customer Service  
tech@championpowerequipment.com