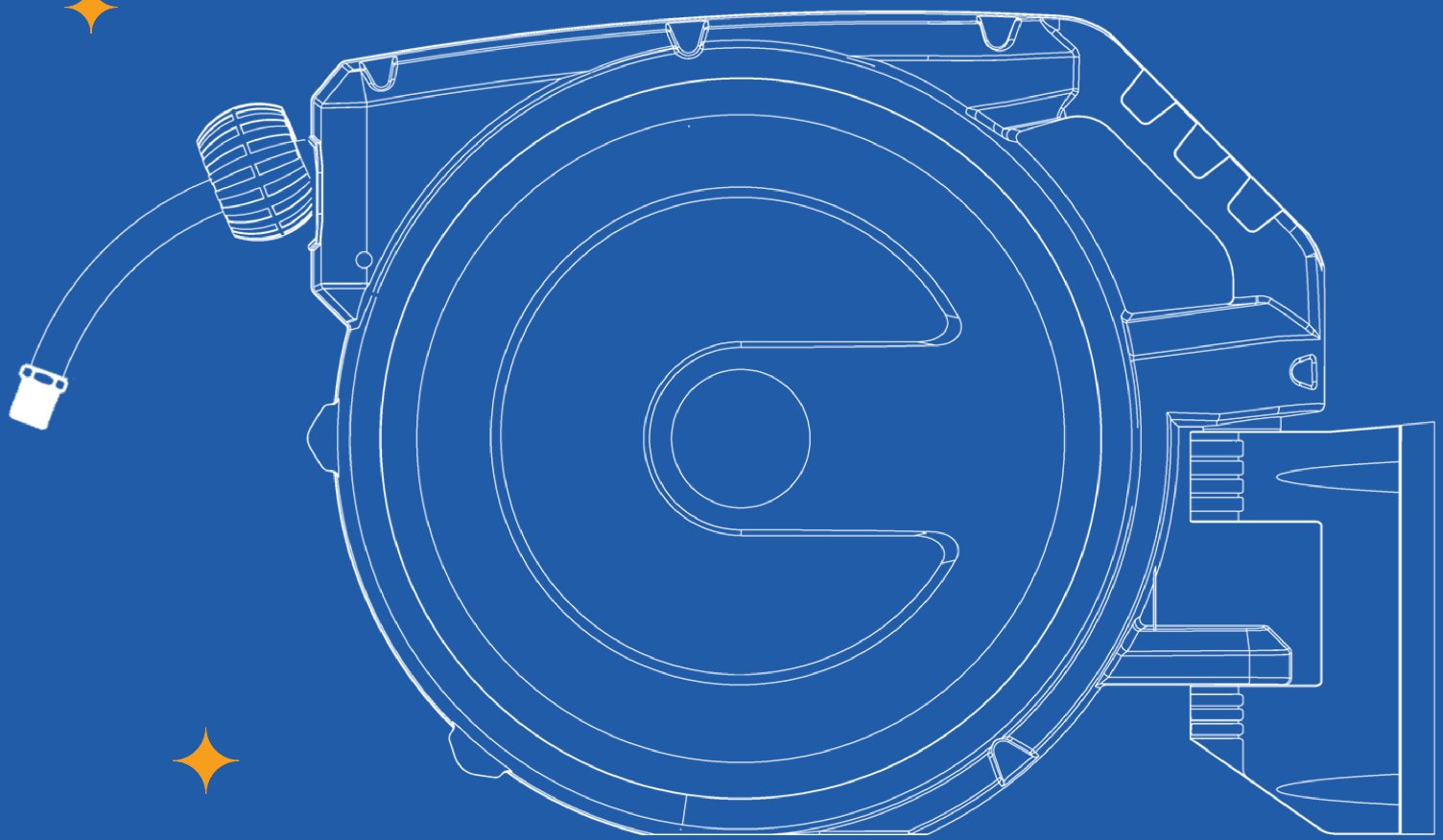


RETRACTABLE AIR HOSE REEL

Model AWA15



Read before use & keep for future reference.

For more information visit giraffetools.com or contact our customer service by sending an email to contact@giraffetools.com



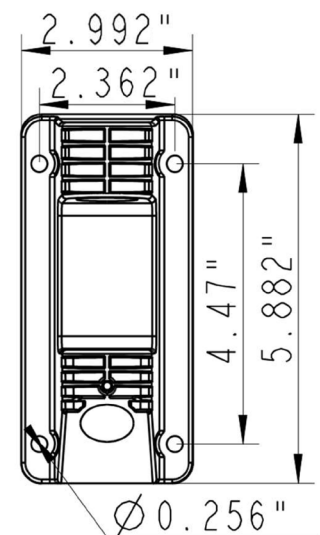
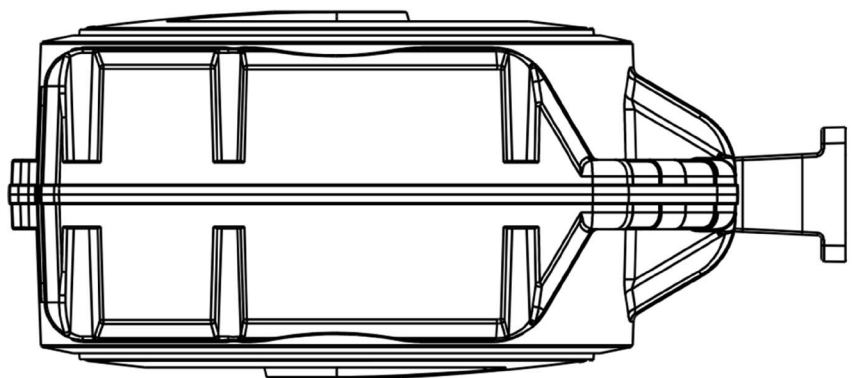
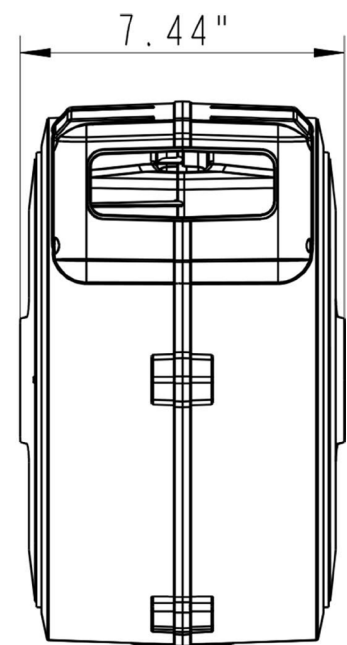
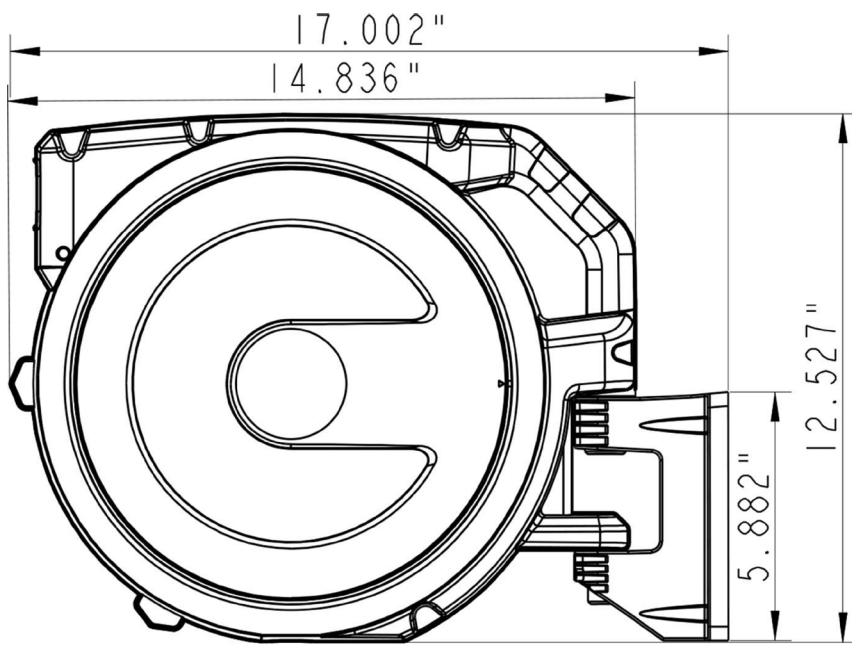
GiRAFFE TOOLS

MANUAL CONTENTS

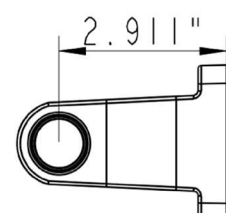
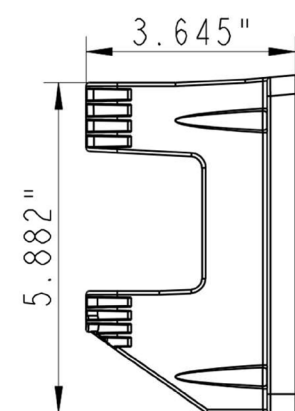
Product Information -----	03	How To -----	07
What's Inside The Box -----	04	Problem Guide -----	08
Open Box Check -----	05	Maintenance -----	09
Tools Requirement -----	05	Warranty -----	12
Start To Install -----	05	Products Recommended -----	14
Product Testing -----	07	Installation Template -----	15

PRODUCT INFORMATION

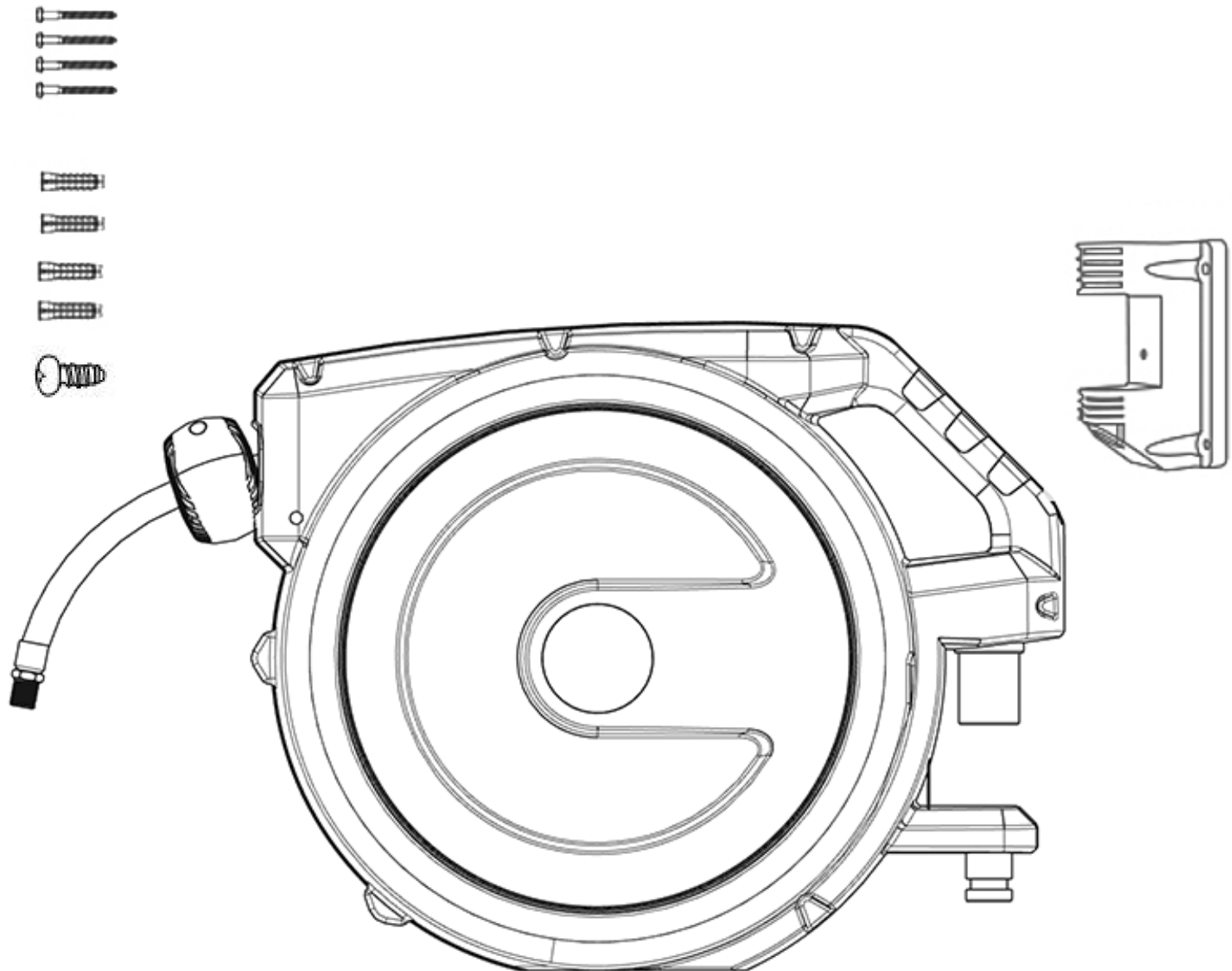
The Giraffe Tools hose reel is made of quality materials with an auto-retractable feature. The length of the hose is 50ft. The air hose reel can be mounted on the wall by using the included mounting bracket, which allows it to swing 180°.



Type	Enclosed Air Hose Reel
Length	50ft
Inner Diameter	3/8 in.
Connect Type	1/4 in. NPT
Hose Material	Hybrid
Max. Working Pressure	300PSI
Mount Type	Swivel on Wall



WHAT'S INSIDE THE BOX



1 x Retractable Hose Reel

1 x Bracket

4 x Tapping Screw: $\Phi 6 \times 50$

4 x Expansion Bolt: $\Phi 8 \times 35$

1 x Owner's Manual

1 x Small Screw

OPEN-BOX CHECK

1. Check whether all parts above are in the box.
2. Check for (white) scratches on the product.

If you have any of these issues, please contact the Giraffe Tools customer service team right away.

Note: If you notice a strange smell upon opening your package, this is due to the sealed environment in which the package traveled overseas.

TOOLS REQUIREMENT

- Electric drill (5/16”)
- Hammer
- Socket set or a Phillips screwdriver

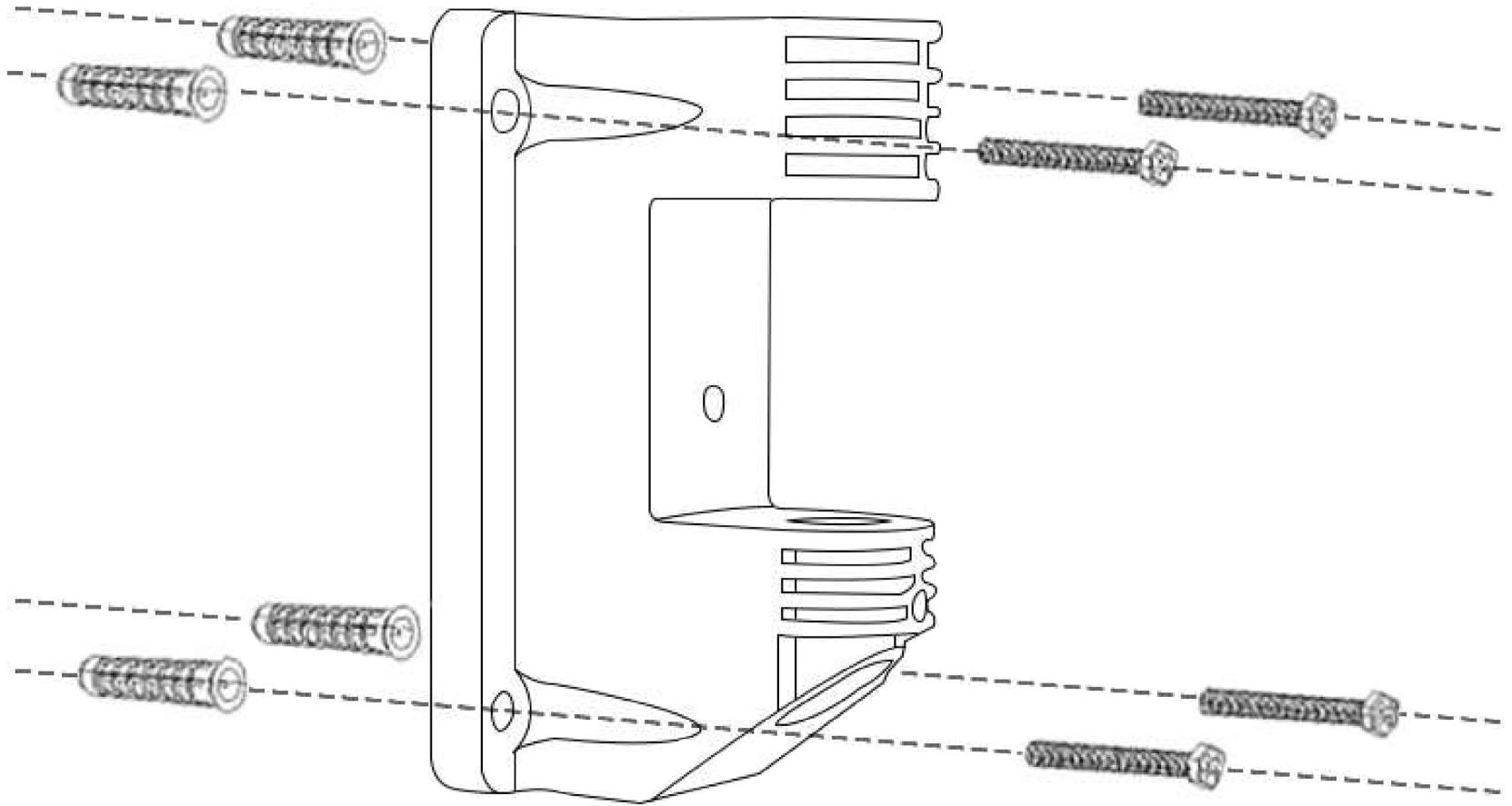
START TO INSTALL



Choose a place



Due to the weight of the filled reel and the pulling force during use, the bracket must be installed on a solid surface, that can withstand 20kg of force.



✦ Installing the reel ✦

Wall

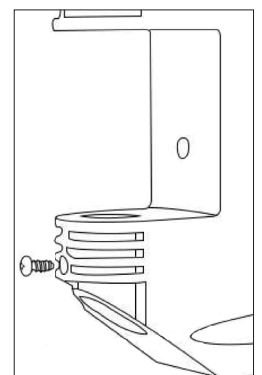
1. Use the installation template (page 15) to mark the location of the 4 holes.
2. Use a 5/16" drill bit to drill 1.38in/3.51cm deep holes.

Tips: Depth is important. Mark a 1.38in/3.51cm depth with tape around the drill bit. If the hole is too deep and the wall anchor is rotating, use a matchstick or similar tool to tighten the hole.

3. Hammer the wall anchors into the 4 holes.
4. Hold the bracket in place, put the screws in, and then use a socket set or a Phillips screwdriver to tighten.

Setting up retractable hose reel

1. Lift the reel and slide it into the bracket holes.
2. Screw the small screw to the bottom of the bracket and then tighten.



Your hose reel is now installed and ready to use!

PRODUCT TESTING

Check whether the hose retracts normally:

- Can't retract automatically
- Unable to pause

If you have any of the issues mentioned above, please contact the customer service by sending an email to contact@giraffetools.com and provide the corresponding video and order number.

HOW TO

Lock / Extend the hose

1. Pull the hose to the desired length and stop, the hose will lock.
2. To extend the hose to a longer length, pull the hose once more and stop at the new desired length.

Retract / Shorten the hose

1. To unlock the hose, give the hose a small tug and release the force, the hose will start retraction.
2. To shorten the hose, let the hose retract to the new desired length, pull the hose out a little more, and then stop.

Tips: Hose can only be locked during pulling out process, and can not be locked during retraction. Always gently retract the hose. If this is not done with caution, the hose reel might get damaged. When walking backwards at a steady speed, the self-segmenting mechanism inserts the hose and weaves neatly into the reel, to ensure that it is free from kinks and tangles.

Recommended usage

1. Always retract the hose after each use.

2. There is an "**STOP**" indication sticker 3.28 feet before the maximum length, don't pull the hose past this point, otherwise, the retraction mechanism will be destroyed.

Remove the hose reel from bracket

1. Loosen the small screw on the bracket bottom.
2. Lift the hose reel out of the bracket and store it for next use.

PROBLEM GUIDE

The bracket fell off the wall

Check whether the bracket was installed correctly.

The hose cannot be retracted or extended

It is possible for the hose to become jammed if it retracts unassisted. To free the hose of a jam, pull the hose firmly until it is fully extended. It should now be able to retract once again. Be sure to walk with the hose in hand at a slow speed as it retracts, until it is fully stowed.

The hose is hard to pull

1. Check whether the hose reel was installed high enough. The hose reel should be parallel to the user, if it is too low, the hose may rub on the orifice, making it difficult to pull.
2. All mounting holes must be fixed to the wall with screws.
3. If the hose is still hard to pull, after following these steps. Please send photo of the problem to the customer service for assistance.

Leakage

If a leakage occurs please contact our customer service team by sending an email to contact@giraffetools.com with your order number and a picture of the problem.

MAINTENANCE

AIR TOOL PRECAUTIONS

1. Inspect the tool's air hose for cracks, fraying or other faults before each use. Discontinue use if the air hose is damaged or a hissing sound can be heard from the air hose or connectors, while operating the tool. Replace the defective component/air hose.
2. Do not allow people, mobile equipment, or vehicles to pass over the unprotected air hose. Position the air hose away from high traffic areas, in a reinforced conduit or place planks on either side of the air hose to create an enclosed area.
3. Prevent damage to the air hose by observing the following:
 - a. Never carry the tool by the air hose.
 - b. Keep the air hose away from heat, oil, sharp edges and moving parts.
4. Check the maximum pressure rating for air tools and accessories. Compressor outlet pressure must be regulated to never exceed the maximum pressure rating of the tool.

CARE & MAINTENANCE

CAUTION! Release air pressure from the hose system before servicing the reel.

1. Maintain the tool with care. A tool in good condition is efficient, easier to control and will have fewer problems.
2. Inspect the reel, hose, and accessories for damage or excessive wear before each use.
3. Have damaged or worn components repaired or replaced by an authorized technician.
4. Only use identical replacement parts when servicing.
5. Only use accessories intended for use with this tool.
6. Maintain the tool's labels and name plates. These carry important information. If unreadable or missing, contact us for replacements.

WARNING! Only qualified service personnel should repair the tool. An improperly repaired tool may present a hazard to the user and/or others.

CLEANING

Wipe the surface with a clean, moist cloth. Do not use solvents when cleaning.

SAFETY

WARNING! Read and understand all instructions before using this tool. The operator must follow basic precautions to reduce the risk of personal injury and/or damage to the equipment.

Keep this manual for safety warnings, precautions, operating or inspection and maintenance instructions.

HAZARD DEFINITIONS

Please familiarize yourself with the hazard notices found in this manual. A notice is an alert that there is a possibility of property damage, injury, or death if certain instructions are not followed.

WARNING!

This notice indicates that if proper precautions are not taken, a specific hazard or unsafe practice could result in severe personal injury or death.

CAUTION!

This notice indicates that if proper practices are not taken a potentially hazardous situation may result in minor or moderate injury.

NOTICE!

This notice indicates that a specific hazard or unsafe practice will result in equipment or property damage, but not personal injury.

WORK AREA

1. Operate in a safe work environment. Keep your work area clean, well-lit, and free of distractions.
2. Keep anyone not wearing the appropriate safety equipment away from the work area.
3. Store unused tools properly in a safe and dry location to prevent rust or damage. Lock tools away and keep out of reach of children.

PERSONAL SAFETY

WARNING! Wear personal protective equipment approved by the Canadian Standards Association (CSA) or American National Standards Institute (ANS).

PERSONAL PROTECTIVE EQUIPMENT

1. Always wear impact safety goggles that provide front and side protection for the eyes. Eye protection equipment should comply with CSA Z94.3-07 or ANSI Z87.1 standards, depending on the type of work that is performed.
2. Wear gloves that provide protection from the work materials or to reduce the effects of tool vibration.
3. Wear protective clothing designed for the work environment and tools.
4. Non-skid footwear is recommended to maintain balance in the work environment.

PERSONAL PRECAUTIONS

Control the tool, personal movement, and the work environment to avoid personal injury or damage to the tool.

1. Do not operate any tool when tired or under the influence of drugs, alcohol, or medications.
2. Avoid wearing clothes or jewelry that can become entangled with the moving parts of a tool. Keep long hair covered or bound.

SPECIFIC SAFETY PRECAUTIONS

WARNING! DO NOT let comfort or familiarity with product (gained from repeated use) replace strict adherence to the tool's safety rules. If you use this tool unsafely or incorrectly, you can suffer serious personal injuries.

WARNING! Direct exposure of pressurized air or fluids to skin could result in severe bodily injuries.

1. Use the correct tool for the job. This tool was designed for a specific function. Do not modify or alter this tool or use it for an unintended purpose.
2. Ensure that the reel is properly installed before connecting the input and output air hoses.
3. Remove system pressure immediately if a leak occurs in the hose or reel, or if the reel ceases to wind and unwind.
4. Release the hose slowly and control it as it retracts.

WARRANTY

At Giraffe Tools, we conduct rigorous testing on every machine before it leaves the factory and perform a lifetime test on every thousand machines to ensure they will withstand many years of use beyond the warranty period.

In addition to our thorough testing, we offer a **24-month warranty** on all original Giraffe Tools new products. The following specifics apply:

1. Giraffe Tools warrants its products against defects in parts and materials for a period of 24 months from the original purchase date. Please note that this warranty does not apply to **products acquired second hand**.
2. All warranty periods commence on the date of purchase and are non-transferable.
3. The warranty is limited to the provision of a replacement or refund free of charge within the specified period, provided that the above conditions are met, and the original proof of purchase is presented.
4. For quality-related warranty claims, items will be replaced with a new item of equal value when available. In situations where a replacement is not available or preferred, Giraffe Tools will offer a full refund.
5. Warranties on all replacements follow the same 24-month warranty time frame as the original defective item. Warranties on fully refunded products will be voided after the refund is released.

Process:

- Buyers must provide sufficient proof of purchase.
- Giraffe Tools must document what happens when buyers troubleshoot the product.
- Visible proof depicting the defect, such as pictures or videos, is required.
- It may be necessary to return an item for quality inspection.
- For defective items that Giraffe Tools needs to have returned, warranty on those replacements are voided if the wrong item is returned to Giraffe Tools or if the defective item is not returned.

Valid proof of purchase:

- Order number from online purchases made through Giraffe Tools or Giraffe Tools's authorized resellers.
- Sales invoice that shows a description of the product along with its price.

Not Covered Under Warranty:

- Purchases from unauthorized resellers.
- Alterations not carried out or authorized by Giraffe Tools authorized resellers.
- Products without sufficient proof of purchase.
- Second-hand products.
- Items that have expired their warranty period.
- Damage from misuse of products, including, but not limited to, improper storage, falls, extreme temperatures, water, and improper operation of devices.

PRODUCTS RECOMMENDED



5/8" Retractable Hose Reel, 60-115ft



1/2" Retractable Hose Reel, 78-155ft



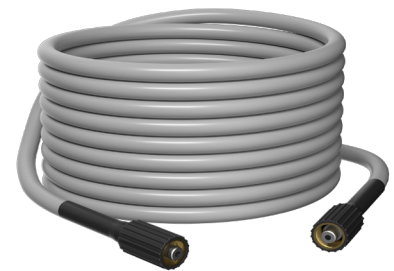
Retractable Air Hose Reel



Grandfalls Pressure Washer



Grandfalls Pressure Washer, 65ft



Pressure Hoses 25-100ft



Hose Reel Cart 150-250ft



Hybrid Hose with Swivel Grip 2.5-100ft



Customized Garden Hose 6-100ft



Scan code to visit Giraffe Tools store on Amazon.com



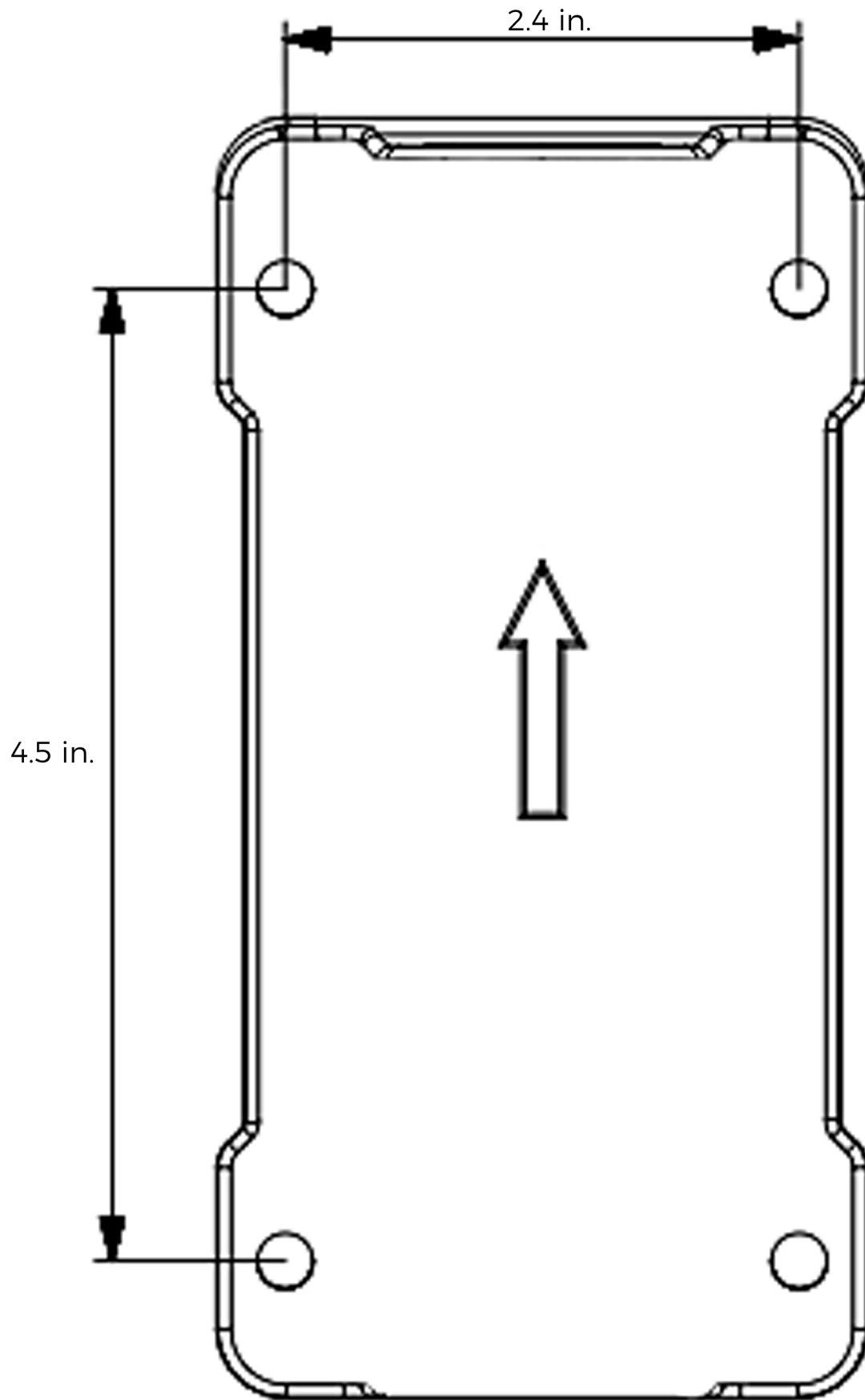
Scan code to visit giraffetools.com



Scan code to join our facebook group

If you are interested in the above products, you can visit giraffetools.com or search for Giraffe Tools on Amazon

INSTALLATION TEMPLATE





WE WILL DO THE HEAVY LIFTING



To purchase Giraffe Tools products and more, visit giraffetools.com or search for Giraffe Tools on [Amazon.com](https://amazon.com).



Complete your registration online for a
100 DAYS WARRANTY EXTENSION



giraffetools.com



contact@giraffetools.com



+1 (833)583-0881

(9am - 5pm EST)

