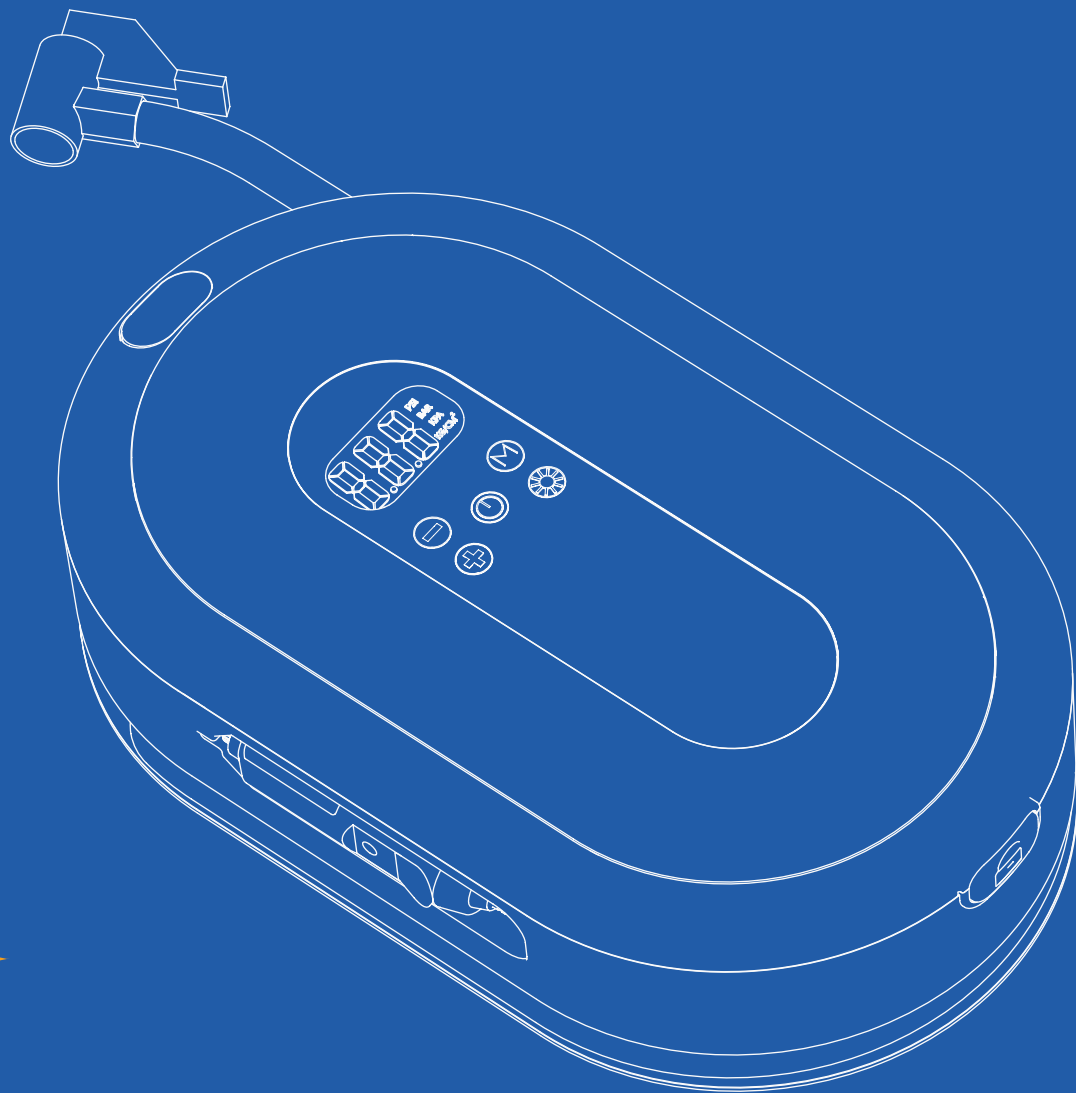


# TIRE INFLATOR PORTABLE AIR COMPRESSOR

Model HC-CZ2201



◆ Read before use & keep for future reference. ◆

For more information visit [giraffetools.com](http://giraffetools.com) or contact our customer service by sending an email to [contact@giraffetools.com](mailto:contact@giraffetools.com)



**GiRAFFE TOOLS**

## MANUAL CONTENTS

---

CAUTION ----- 03

PRODUCT DETAIL ----- 04

PRODUCT OPERATION ----- 05

SPECIFICATIONS ----- 08

MALFUNCTION ----- 09

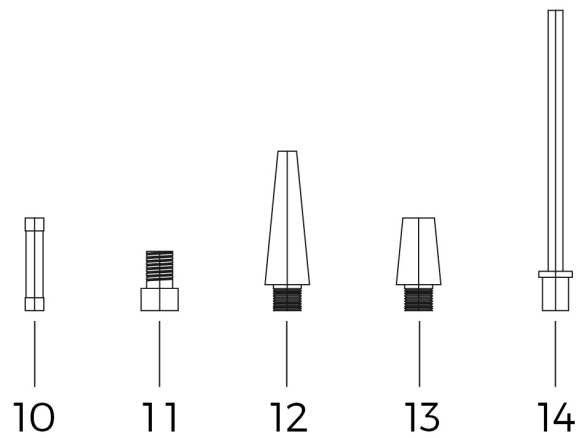
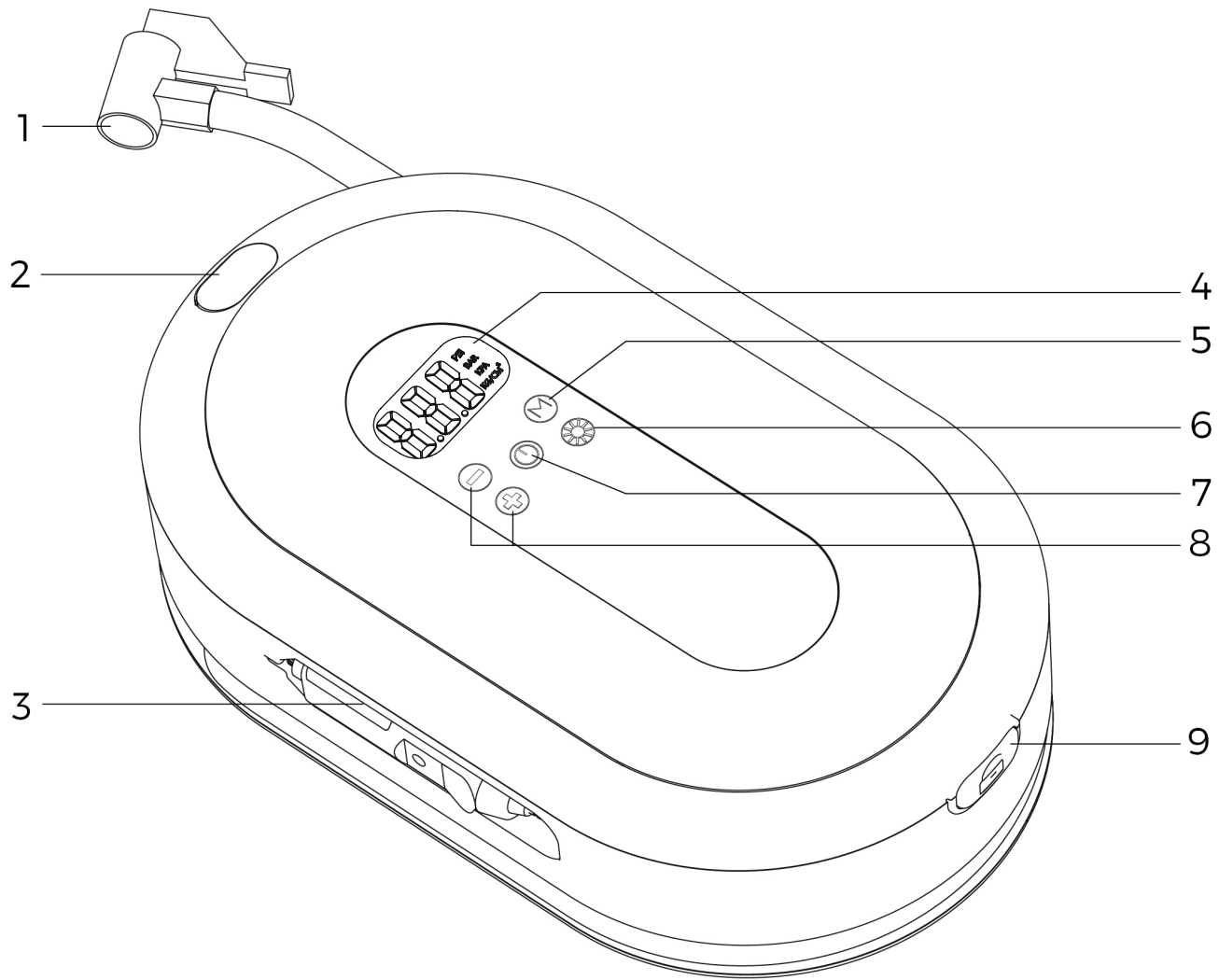
WARRANTY ----- 10

PRODUCTS RECOMMENDED ----- 12

## CAUTION

- **When the power cord is retracting, hold the cord in your hand and the other hand press the retract button. The retract power is very strong!**
- Read and follow all instructions before use. Before using the air compressor, inspect the exterior to ensure it is free from defects.
- Do not use this product for applications outside of its intended use.
- Do not place the air compressor near heat sources, such as your vehicle's exhaust pipes.
- Do not use near flammable liquids or gases.
- Do not use the air compressor if it is damaged.
- Do not over-inflate tires. High pressure air can cause injury.
- Keep out of reach of children.
- Connect the pump to a 12V DC, 10A cigarette lighter -- Do NOT use with a 24V connection. Utilize an AC to DC power converter if you want to use this pump with an AC power supply.
- Do not expose the pump to rain or water of any kind.
- Keep the device away from fire, corrosive liquids, and strong magnetic fields.
- Do not turn off the car engine while the air compressor is working.
- Air nozzle is compatible with all schrader valves, making it compatible with cars, small trucks and SUV, motorcycles, and bicycles.
- The included accessories are compatible with all balls that require a needle.
- The pump is not intended for use with high pressure or large volume applications.
- Do not store the air compressor in high temperature or humid environments.
- When not in use, disconnect the air compressor from all power sources.
- The air compressor may heat up during continuous use, be careful when handling the air compressor during or after use.
- Avoid extended and continuous use. The optimum time for continuous use is 15 minutes.
- After extended use, let the pump rest for 10 minutes after extended use.
- Do not pull the power cord when the stop line shows(The Red Label).

# PRODUCT DETAIL



- |   |  |
|---|--|
| <ul style="list-style-type: none"> <li><b>1.</b> Inflation inlet</li> <li><b>2.</b> LED light</li> <li><b>3.</b> Power cord</li> <li><b>4.</b> Air pressure gauge</li> <li><b>5.</b> “M” Button---Switch the pressure unit</li> <li><b>6.</b> Light switch</li> <li><b>7.</b> Power switch</li> </ul> | <ul style="list-style-type: none"> <li><b>8.</b> “+”“-” Button--Increase/Decrease the value</li> <li><b>9.</b> Retract button</li> <li><b>10.</b> Fuse</li> <li><b>11.</b> Valve extender</li> <li><b>12.</b> Long tapered nozzle</li> <li><b>13.</b> Short tapered nozzle</li> <li><b>14.</b> Needle</li> </ul> |
|---|--|

## PRODUCT OPERATION

### ✦ CHOOSE THE RIGHT NOZZLE ✦



The needle can be used to inflate various kinds balls like basketballs, footballs, volleyballs, etc.



Short tapered nozzle can be used to inflate air mattresses, air beds, etc.



Long tapered nozzle can be used to inflate objects like swimming rings, etc.



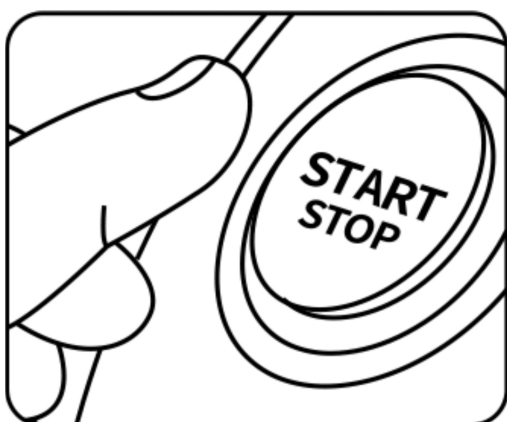
## REFERENCE PRESSURE



<b>Inflation Pressure Reference Table</b>		
<b>Category</b>	<b>Inflatables</b>	<b>Recommended Inflation Pressure</b>
Bicycle	12, 14, 16 inch bicycle tires	30-50 psi
	20, 22, 24 inch bicycle tires	40-50 psi
	26, 27.5, 29 inch mountain bike tires	45-65 psi
	700c road bike open tire	100-130 psi
	700c road bike tube	120-145 psi
Motorcycle	Motorcycle, electric motorcycle tire	26-40 psi
Car	SUV/Small car tires, not recommend for truck	32-40 psi
Ball	Basketball	7-9 psi
	Football	8-16 psi
	Volleyball	4-5 psi
	Rugby	12-14 psi

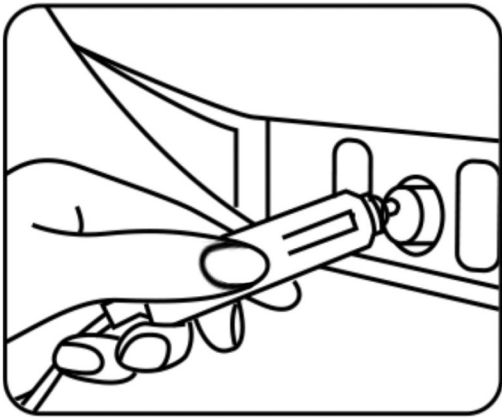


## HOW TO INFLATE



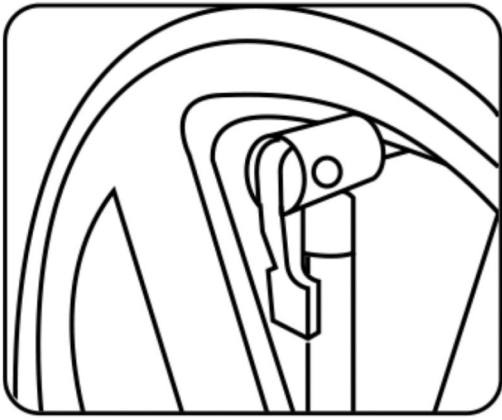
### Step 1

Start the car engine.



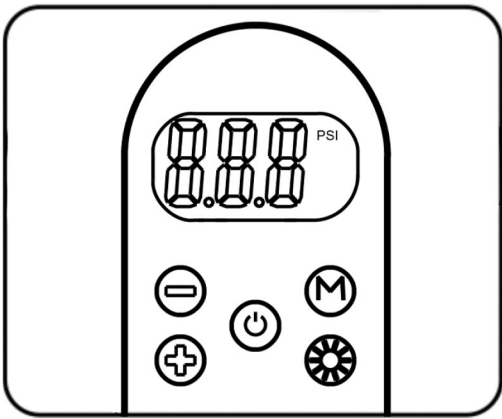
## Step 2

Insert the power cord into the 12V cigarette lighter socket.



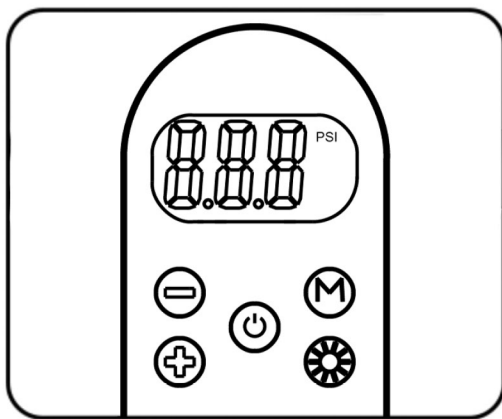
## Step 3

Remove the dust cap of the valve, and then connect the air hose to the valve. Make sure the hose and valve of the inflatable are connected tightly.



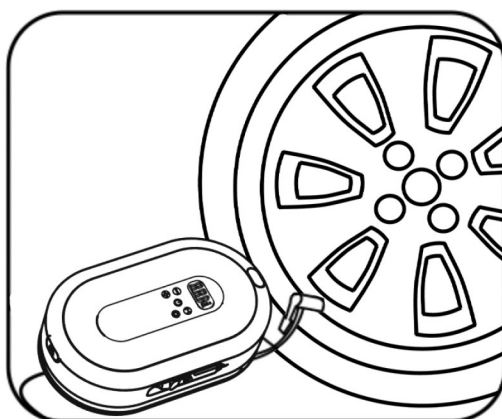
## Step 4

Check the current pressure of the inflatable first. Then, press the "M" button to choose the pressure unit, and then press "+" or "-" to set your desired pressure. When the number stops flashing, the pressure is set.



## Step 5

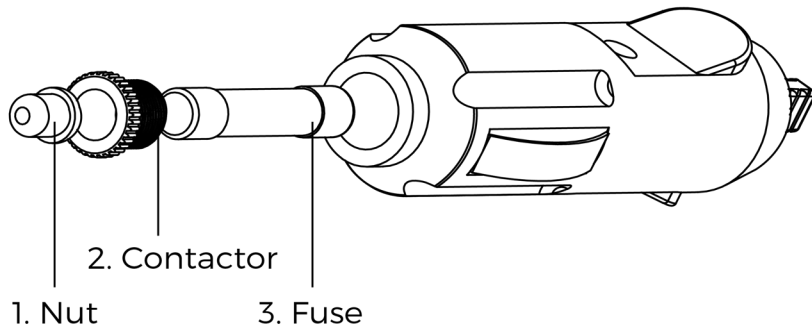
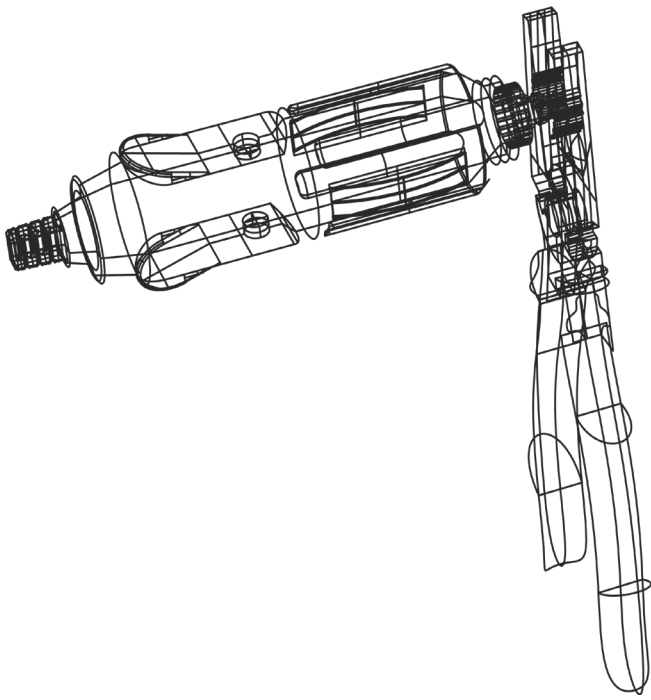
Press the power switch to start inflating. When reach the pre-set pressure, the compressor will stop automatically.



## Step 6

After inflation, please press the power switch button again to turn off the air compressor. (It will turn off automatically after 60 seconds.) Then disconnect the power cord and the nozzle.

## ✦ HOW TO CHANGE THE FUSE ✦



### STEPS:

1. Hold the nut with pliers and turn counterclockwise to remove the nut.
2. Take out the part 2 and part 3 (fuse).
3. Insert the new fuse.
4. Put the parts back in sequence and tighten the nut clockwise with pliers.

## SPECIFICATIONS

Working Voltage	DC12V
Maximum Amps	10Amps
Power	120W
Inflating speed	2.5bar (34L/Min)
Maximum Working Pressure	150psi
Display Units	KPA, PSI, BAR, KG/CM <sup>2</sup>
Continuous Operating time	15 minutes maximum
Power cable length	13ft (4m)
Air hose length	1ft (0.6m)
Dimensions	10*6*3in / 252*150*70mm

## MALFUNCTION

The following is the inspection of common malfunctions. If common malfunctions persist after attempted treatment, please contact Giraffe Tools customer service for assistance.

Air Compressor will not inflate	<ul style="list-style-type: none"> <li>• Ensure the in-line fuse is securely inserted correctly; replae fuse if necessary.</li> <li>• Check vehicle cigarette lighter fuse, it should berated at 10A or higher.</li> <li>• Ensure there is a strong connection with the power cord and 12V socket.</li> <li>• Preset tire pressure is lower than current tire pressure, increase the preset tire pressure to the manufacturer recommended level.</li> </ul>
Air Compressor is operating abnormally	<ul style="list-style-type: none"> <li>• The inflation nozzle is not connected properly to the tire's valve stem.</li> <li>• The 12V socket is not connected securely</li> <li>• Preset tire pressure is lower than current tire pressure, increase the preset tire pressure to the manufacturer recommended level.</li> </ul>
Air leaking through hose	<ul style="list-style-type: none"> <li>• Ensure there is a firm connection between the air nozzle and the tire valve.</li> </ul>
Slow inflation	<ul style="list-style-type: none"> <li>• The inflation nozzle is not connected properly to the tire's valve stem.</li> <li>• Excessive use will slow the inflation rate of the pump. Let cool for 10 minutes.</li> </ul>
Shuts off after extended use	<ul style="list-style-type: none"> <li>• If the air compressor continues to run for more than 15 minutes, it will shut off due to overheating protection. Please let it cool for 10 minutes.</li> </ul>
The power cord didn't not retract	<ul style="list-style-type: none"> <li>• Pull the cord about 10-15cm out, then adjust the angle, try to retract the cord again.</li> </ul>

# WARRANTY

At Giraffe Tools, we conduct rigorous testing on every machine before it leaves the factory and perform a lifetime test on every thousand machines to ensure they will withstand many years of use beyond the warranty period.

In addition to our thorough testing, we offer a **24-month warranty** on all original Giraffe Tools new products. The following specifics apply:

1. Giraffe Tools warrants its products against defects in parts and materials for a period of 24 months from the original purchase date. Please note that this warranty does not apply to **products acquired second hand**.
2. All warranty periods commence on the date of purchase and are non-transferable.
3. The warranty is limited to the provision of a replacement or refund free of charge within the specified period, provided that the above conditions are met, and the original proof of purchase is presented.
4. For quality-related warranty claims, items will be replaced with a new item of equal value when available. In situations where a replacement is not available or preferred, Giraffe Tools will offer a full refund.
5. Warranties on all replacements follow the same 24-month warranty time frame as the original defective item. Warranties on fully refunded products will be voided after the refund is released.

## Process:

- Buyers must provide sufficient proof of purchase.
- Giraffe Tools must document what happens when buyers troubleshoot the product.
- Visible proof depicting the defect, such as pictures or videos, is required.
- It may be necessary to return an item for quality inspection.
- For defective items that Giraffe Tools needs to have returned, warranty on those replacements are voided if the wrong item is returned to Giraffe Tools or if the defective item is not returned.

**Valid proof of purchase:**

- Order number from online purchases made through Giraffe Tools or Giraffe Tools's authorized resellers.
- Sales invoice that shows a description of the product along with its price.

**Not Covered Under Warranty:**

- Purchases from unauthorized resellers.
- Alterations not carried out or authorized by Giraffe Tools authorized resellers.
- Products without sufficient proof of purchase.
- Second-hand products.
- Items that have expired their warranty period.
- Damage from misuse of products, including, but not limited to, improper storage, falls, extreme temperatures, water, and improper operation of devices.

## PRODUCTS RECOMMENDED



**5/8" Retractable Hose Reel, 60-115ft**



**1/2" Retractable Hose Reel, 78-155ft**



**Retractable Air Hose Reel**



**Grandfalls Pressure Washer**



**Grandfalls Pressure Washer, 65ft**



**Pressure Hoses 25-100ft**



**Hose Reel Cart 150-250ft**



**Hybrid Hose with Swivel Grip 2.5-100ft**



**Customized Garden Hose 6-100ft**



Scan code to visit Giraffe Tools store on Amazon.com



Scan code to visit [giraffetools.com](https://giraffetools.com)



Scan code to join our facebook group

If you are interested in the above products, you can visit [giraffetools.com](https://giraffetools.com) or search for Giraffe Tools on Amazon



# WE WILL DO THE HEAVY LIFTING



To purchase Giraffe Tools products and more, visit [giraffetools.com](https://giraffetools.com) or search for Giraffe Tools on Amazon.com.



Complete your registration online for a  
100 DAYS WARRANTY EXTENSION



[giraffetools.com](https://giraffetools.com)



[contact@giraffetools.com](mailto:contact@giraffetools.com)



+1 (833)583-0881

(9am - 5pm EST)

