

POWERHORSE™

452cc Electric Start Brush Mower

Owner's Manual



⚠ WARNING: Read carefully and understand all ASSEMBLY AND OPERATION INSTRUCTIONS before operating. Failure to follow the safety rules and other basic safety precautions may result in serious personal injury.

Item 5883228

Thank you very much for choosing a Powerhorse product!

For future reference, please complete the owner's record below:

Serial Number/Lot Date Code (if applicable): _____

Purchase Date: _____

Save the receipt, warranty, and this manual. It is important that you read the entire manual to become familiar with this product before you begin using it.

This product is designed for certain applications only. Northern Tool and Equipment is not responsible for issues arising from modification or improper use of this product such as an application for which it was not designed. We strongly recommend that this product not be modified and/or used for any application other than that for which it was designed.

For technical questions, please call **1-800-222-5381**.

Table of Contents

Intended Use	4
Packaging Contents	5
Technical Specifications.....	5
Important Safety Information	5
Specific Operation Warnings	8
Fuel Safety.....	9
Main Parts of Product	10
Assembly Instructions	10
Before Each Use	15
Operating Instructions	15
Maintenance	16
Troubleshooting	20
Parts Diagram	22
Parts List	23
Replacement Parts	25
Limited Warranty	26

Intended Use

The Power Horse brush mower is a versatile and powerful tool designed for outdoor maintenance and landscaping tasks. The primary uses is for cutting through thick vegetation, such as tall grass, weeds, and small brush, to create a finished appearance. This Power Horse brush mower is capable of clearing overgrown areas such as gardens, parks, public spaces, and agricultural fields. Whether you need to maintain your property or tackle a large-scale land clearing projects, this brush mower is an essential tool that can help you achieve a clean and professional-looking landscape.

The use of a brush mower provides several benefits:

- **Efficiency:** This brush mower is designed to tackle thick, dense vegetation that ordinary lawnmowers cannot handle. The powerful engine and sharp blades make the cutting process quick and efficient.
- **Whether you need to trim weeds, clear brush, or cut through t,** this brush mower is the ideal choice.
- **Time-saving:** Compared to manual tools like machetes or scythes, a brush mower can significantly reduce the time and effort required for cutting and clearing vegetation. They can cover larger areas in less time, saving you valuable time and energy.
- **Safety:** This brush mower is equipped with safety features to protect the user. When used correctly and with proper safety precautions, a brush mower can be a safe tool for vegetation management.

Packaging Contents

- Main Body (1)
- Handle (1)

Technical Specifications

Property	Specification
Engine	14HP Electric Start,452cc, OHV Engine
Fuel type	Gasoline/Petrol
Fuel tank capacity	6L
Battery for engine start	12v14a(6DM14)
Belt	Drive and Blade, A belt
Blade	1PC Blade
packing size	56 X 31.6 X 26.2in
Gross weight	303lbs
Net Weight	228lbs
Blade width	20.5inch
Brush Cutting Capacity	50MM Diameter Max
Tire	14.5/70-6

Important Safety Information

⚠WARNING

- Read and understand all instructions. Failure to follow all instructions may result in serious injury or property damage.
- The warnings, cautions, and instructions in this manual cannot cover all possible conditions or situations that could occur. Exercise common sense and caution when using this tool. Always be aware of the environment and ensure that the tool is used in a safe and responsible manner.
- Do not allow persons to operate or assemble the product until they have read this manual and have developed a thorough understanding of how it works.
- Do not modify this product in any way. Unauthorized modification may impair the function and/or safety and could affect the life of the product. There are specific applications for which the product was designed.
- Use the right tool for the job. DO NOT attempt to force small equipment to do the work of larger industrial equipment. There are certain applications for which this equipment was designed. This product will be safer and do a better job at the capacity for which it was intended. DO NOT use this equipment for a purpose for

which it was not intended.

- Industrial or commercial applications must follow OSHA requirements.

⚠️ WARNING

PROP 65

California Proposition 65 WARNING:

- Crude oil, gasoline, diesel fuel and other petroleum products can expose you to chemicals such as toluene and benzene that are known to the State of California to cause cancer and birth defects or other reproductive harm . For more information go to www.p65warnings.ca.gov

⚠️ WARNING

WORK AREA SAFETY

Slopes are a major factor related to slip and fall accidents, which can result in severe injury. All slopes require caution. If you feel uneasy on a slope, do not mow it. Always take the following precautions when using this machine on slopes:

ALWAYS:

- Mow across the face of slopes; never up and down. Exercise extreme caution when changing direction on slopes.
- Remove objects such as rocks, tree limbs, etc.
- Watch for holes, ruts, or bumps. Tall grass can hide obstacles.

NEVER:

- Never mow near drop-offs, ditches, or embankments. You could lose your footing or balance.
- Never mow on slopes greater than 20 degrees or any excessively steep slopes.
- Never mow on wet slopes. Reduced traction could result in slipping.

⚠️ WARNING

This is a high-powered machine, with moving parts operating with high energy. You must operate the machine safely. Unsafe operation can create several hazards for you, as well as anyone else in the nearby area. Always take the following precautions when using this machine:

- A. Keep in mind that the operator or user is responsible for accidents or hazards occurring to other people, their property, and themselves.

- B. Always wear protective goggles or safety glasses with side shields while using the equipment to protect your eyes from possible thrown debris.
- C. Avoid wearing loose clothing or jewelry, which can catch on moving parts.
- D. We recommend wearing gloves while using the equipment. Be sure your gloves fit properly and do not have loose cuffs or drawstrings.
- E. Wear shoes with non-slip treads when using your equipment. If you have safety shoes, we recommend wearing them. Do not use the machine while barefoot or wearing open sandals.
- F. Wear long pants while operating the equipment.
- G. Always keep bystanders at least 100 feet away from your work area. Stop the engine when another person or pet approaches.

Safety for Children and Pets:

Tragic accidents can occur if the operator is not alert to the presence of children and pets. Children are often attracted to the machine and the mowing activity. Never assume that children will remain where you last saw them. Always follow these precautions:

- Keep children and pets at least 100 feet from the working area and ensure they are under the watchful care of a responsible adult.
- Be alert and turn the machine off if children or pets enter the work area.
- Never allow children to operate the Mower.
- Before and while moving backwards, look behind and down for small children.
- Use extra care when approaching blind corners, shrubs, trees, or other objects that may obscure your vision.

⚠ CAUTION

PRODUCT USE AND CARE

The machine must be operated safely to prevent or minimize the risk of minor or moderate injury. Unsafe operation can create a number of hazards for you. Always take the following precautions when operating this mower:

- Keep in mind that the operator or user is responsible for accidents or hazards occurring to other people, their property, and themselves.
- Use ear protectors or earplugs rated for at least 20 dba to protect your hearing.
- Wear long pants while mowing.
- Use caution when mowing close to fences, buildings, trees, etc. so as not to hit the handlebar. Doing so, you may injure your hand or lose control of the machine.
- Keep all nuts and bolts tight, especially the blade attachment bolts, and keep the equipment in good operating condition.
- The mower blade is sharp and can cut. Wrap the blade or wear gloves and use extra caution when servicing.

Additional Information and Potential Changes

- We reserve the right to discontinue, change, and improve its products at any time

without notice or obligation to the purchaser. The descriptions and specifications contained in this manual were in effect at printing. Equipment described within this manual may be optional. Some illustrations may not be applicable to your machine.

No list of warnings and cautions can be all-inclusive. If situations occur that are not covered by this manual, the operator must apply common sense and operate this Mower in a safe manner.

Specific Operation Warnings

⚠ WARNING

It may be helpful to better familiarize yourself with the features of your equipment before beginning the steps outlined in this chapter.

- A. Your equipment is a powerful tool, not a plaything. Exercise extreme caution always. Do not use it for any other purpose except its designed purpose.
- B. Know how to stop the equipment quickly.
- C. Never operate your unit on a slippery, wet, muddy, or icy surface. Exercise caution to avoid slipping or falling.
- D. See instructions for proper operation and installation of accessories.
- E. Never use the machine without ensuring that all guards and shields are in place.
- F. Never, under any conditions, remove, bend, cut, fit, weld, or otherwise alter standard parts on the equipment. This includes all shields and guards. Modifications to your machine could cause personal injuries and property damage and will invalidate your warranty.
- G. If the machine starts and makes an unusual noise or vibrate, shut down the engine, disconnect the spark plug wire, keeping it away from the spark plug to prevent accidental starting, wait 5 minutes for engine to cool down, then inspect for damage. Vibration is generally a warning of trouble. Check damaged parts and clean, repair and/or replace as necessary.
- H. Never tamper with safety devices. Check their proper operation regularly.
- I. Before performing any maintenance or inspection procedure, shut down the engine, disconnect the spark plug wire keeping it away from the spark plug to prevent accidental starting, wait 5 minutes for machine to cool down.
- J. Never allow people who are unfamiliar with these instructions to use the equipment. Allow only responsible individuals who are familiar with these rules of safe operation to use your machine.
- K. While using, don't hurry or take things for granted. When in doubt about the equipment or your surroundings, stop the machine and take time to look things over.
- L. Never operate the machine when under the influence of alcohol, drugs, or medication.
- M. Use the machine only in daylight.
- N. Stay alert for hidden hazards or traffic.
- O. Keep all nuts and bolts tight and keep the equipment in good operating condition.

Fuel Safety

⚠WARNING

Gasoline is a highly flammable liquid. Gasoline also gives off flammable vapor that can be easily ignited and cause a fire or explosion. Never overlook the hazards of gasoline. Always follow these precautions:

- A. Never run the engine in an enclosed area or without proper ventilation as the exhaust from the engine contains carbon monoxide, which is an odorless, tasteless, and a deadly poisonous gas.
- B. Store all fuel and oil in containers specifically designed and approved for this purpose and keep away from heat and open flame, and out of the reach of children.
- C. Replace rubber fuel lines and grommets when worn or damaged and after 5 years of use.
- D. Fill the gasoline tank outdoors with the engine off and allow the engine to cool completely. Don't handle gasoline if you or anyone nearby is smoking, or if you're near anything that could cause it to ignite or explode. Reinstall the fuel tank cap and fuel container cap securely.
- E. If you spill gasoline, do not attempt to start the engine. Move the machine away from the area of the spill and avoid creating any source of ignition until the gas vapors have dissipated. Wipe up any spilled fuel to prevent a fire hazard and properly dispose of the waste.
- F. Allow the engine to cool completely before storing in any enclosure. Never store a machine that has gas in the tank, or a fuel container, near an open flame or spark such as a water heater, space heater, clothes dryer, or furnace.
- G. Never adjust or repair with the engine running. Shut down the engine, disconnect the spark plug wire, keeping it away from the spark plug to prevent accidental starting, wait 5 minutes before adjusting or repairs.
- H. Never tamper with the engine's governor setting. The governor controls the maximum safe operation speed and protects the engine. Over-speeding the engine is dangerous and will cause damage to the engine and to the other moving parts of the machine. If required, see your authorized dealer for engine governor adjustments.
- I. Keep combustible substances away from the engine when it is hot.
- J. Never cover the machine while the muffler is still hot.
- K. Do not operate the engine with the air cleaner or the carburetor air intake cover removed. Removal of such parts could create a fire hazard. Do not use flammable solutions to clean the air filter.
- L. The muffler and engine become very hot and can cause a severe burn; do not touch.

A Note to All Users

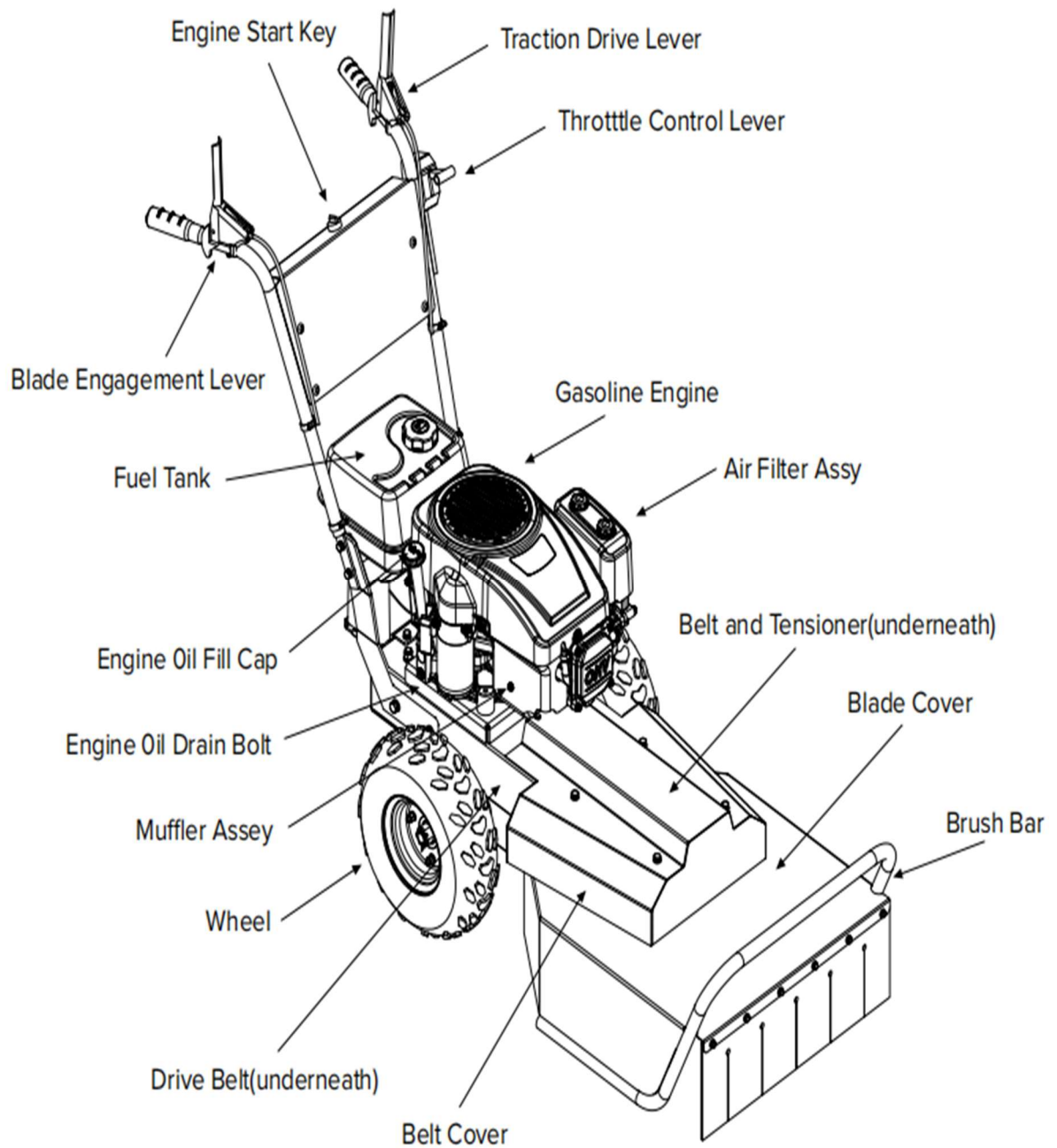
List of warnings and cautions cannot be all-inclusive. If situations occur that are not covered by this manual, the operator must apply common sense and operate this equipment in a safe manner. Contact the dealers for assistance in your area.

Main Parts of Brush Mower

Subassembly

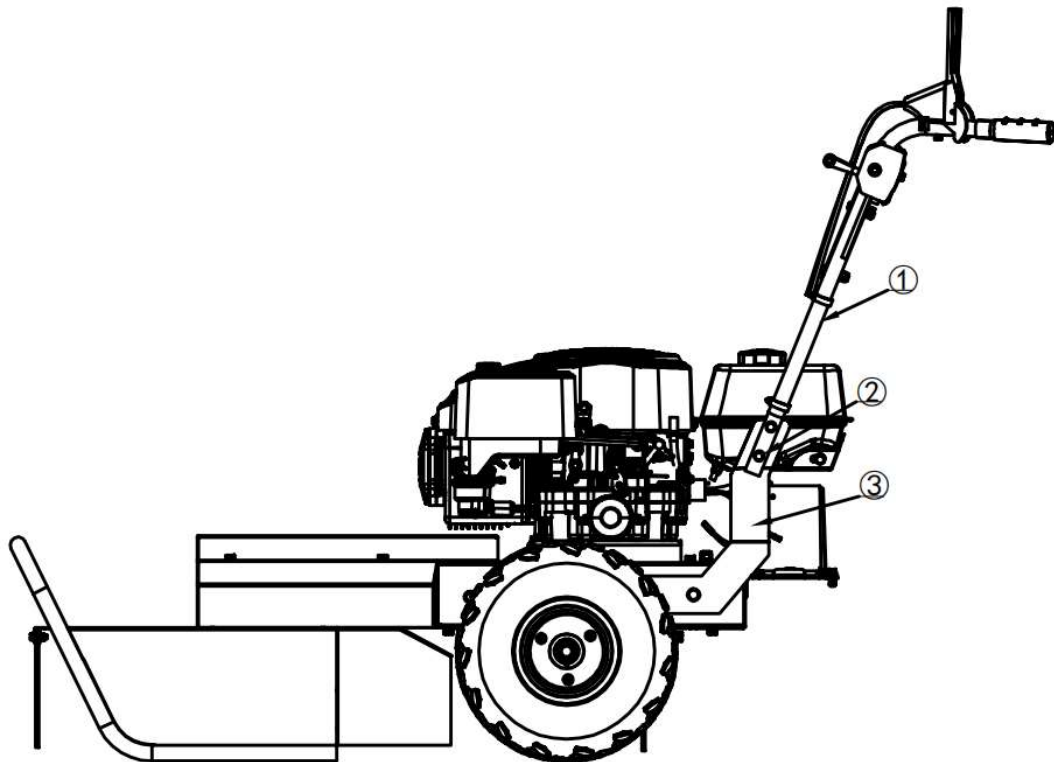
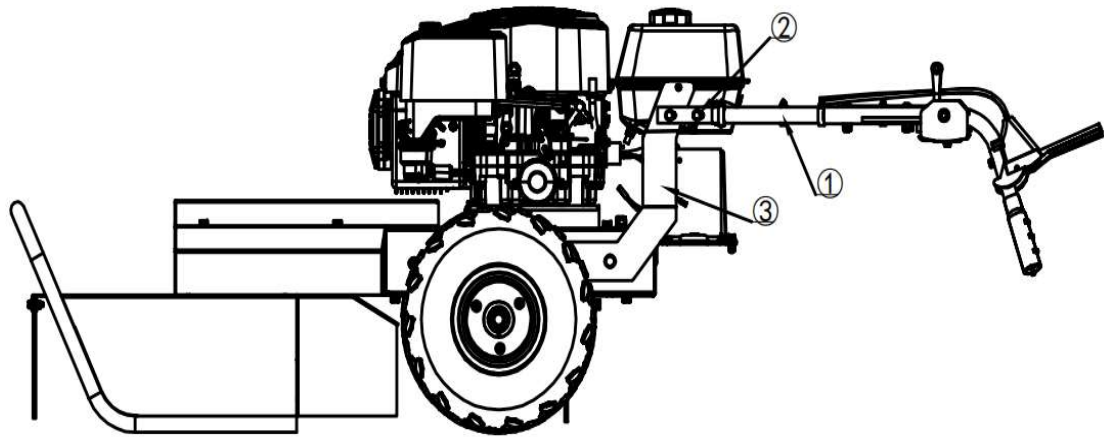
Main Body
Handle

Assembly Instructions

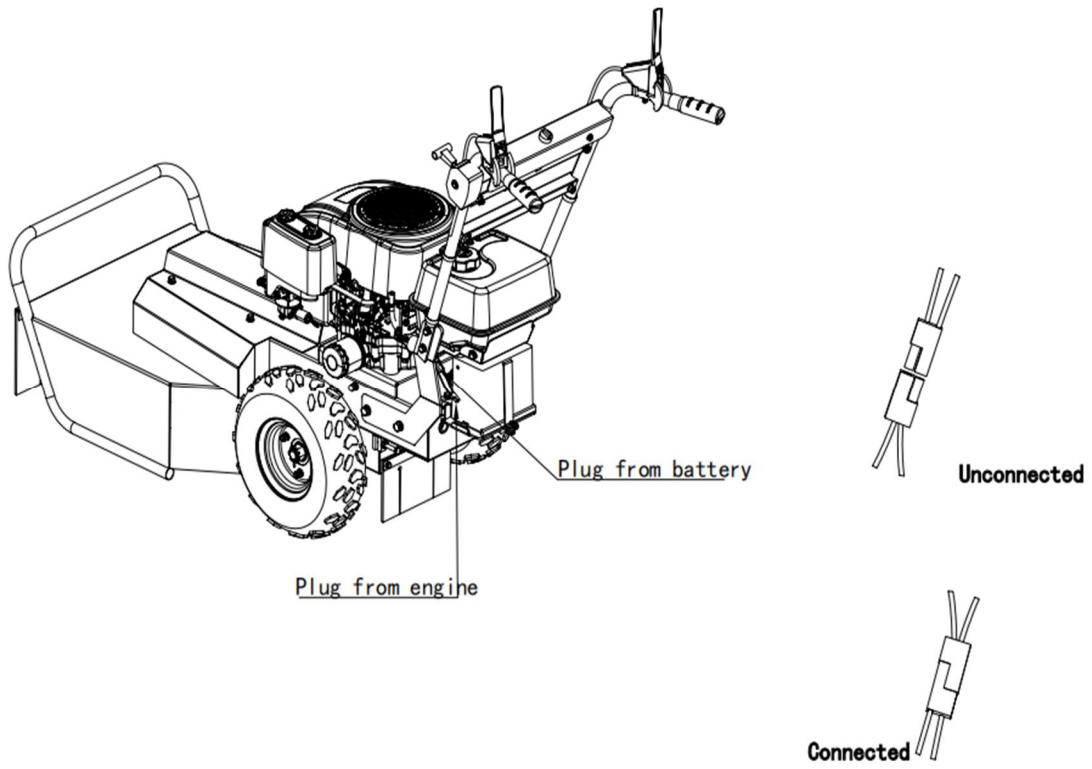


Assemble Instruction

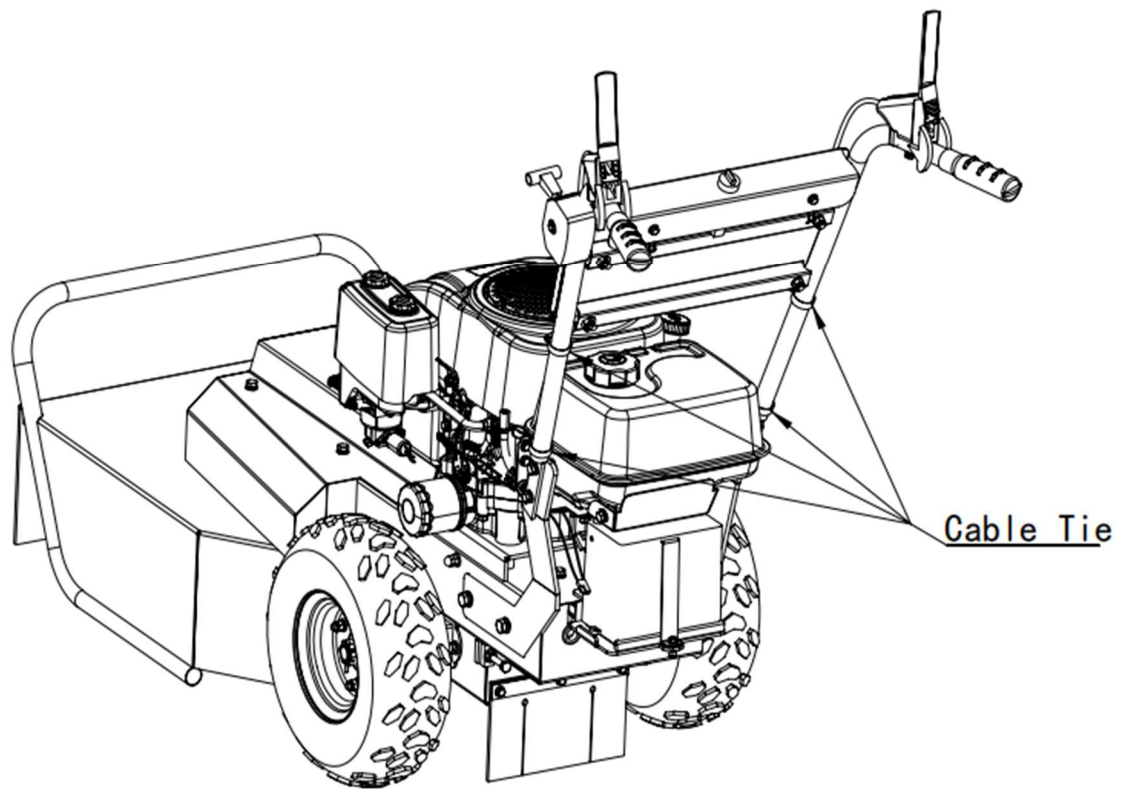
1. Remove 4 sets of screws (No.2), place the handle (No.1) horizontally, align it with the holes on the frame (No.3) as shown in the figure, and place a set of screws (No.2) on each side to help secure it. Finished above steps, stand the handle upright, align the hole of the handle with the frame hole shown in the figure, and then tighten it with 4 screws.



2. Cable connection: Connect the plug from engine to the plug from battery.



3. Secure the Cables to the Handlebars with the Cable Ties. Cut off the excess from the Cable Ties using Wire Cutters.



Starting

1. Position your equipment on flat, dry ground.
2. Move the throttle to "choke".
3. Turn and hold the Key in the start position until engine starts.
4. After a few seconds, slowly move the throttle from "choke" to either "fast " or " slow".
5. If the equipment has not been running (cold engine), warm up the engine by running the engine at half throttle for 3 to 4 minutes, then advance the engine throttle control to the maximum speed.

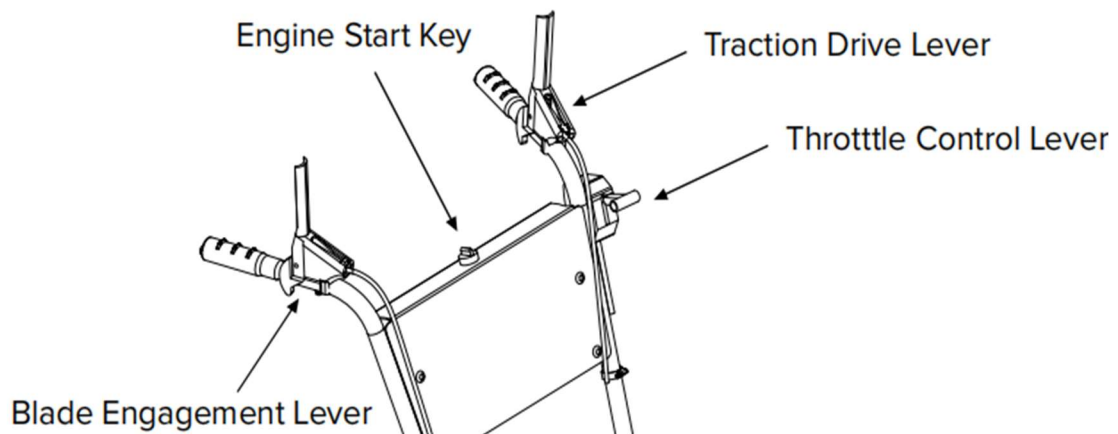
Traction Drive Engagement

1. Gently squeeze the Traction Drive Lever to engage.
2. Release the Traction Drive Lever if you need to slow down or stop.

Blade Engagement

1. Gently squeeze "Blade Engagement Lever" to engage.

Release the "Blade Engagement Lever" to stop the blade rotating.



Engine Stopping

1. Turn the Key to the OFF position.

NOTICE

Do not cut brush or saplings more than 50mm in diameter.

Obstacle Tips

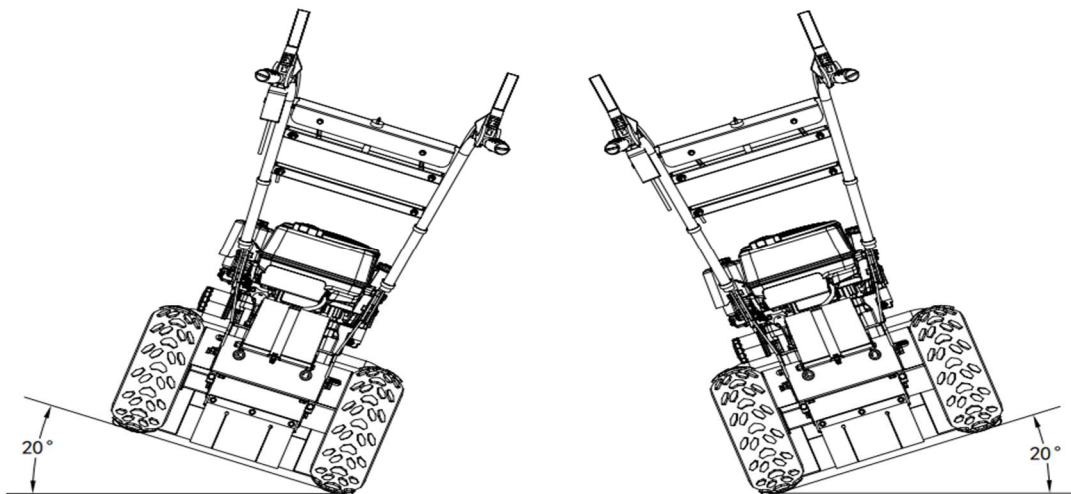
Warning

- A. The engine's power can easily throw stones, sticks, and other debris up to 100 feet at great velocity, which could cause personal injury or property damage. Do not run the machine over gravel driveways, loose stones, or mulch with the blade spinning.
- B. Always check your work area before working and remove any debris that might tangle or damage the machine. If you do run into debris and the blade becomes tangled, turn off the engine and disconnect the spark plug wire before attempting to untangle the machine.
- C. Never touch the exhaust areas when reaching for the spark plug, they are very hot.

Slope Operation

Warning

- A. When operating the equipment over uneven terrain or slopes, use extreme caution not to tip the machine over.
- B. Never use the equipment on slopes greater than 20 degrees. Doing so could result in serious injury or damage to your machine.
- C. If you mow on sloping terrain, mow across the slope, not up and down, for better control.



Before Each Use

WARNING

The mower must be operated safely to prevent or minimize the risk of minor or moderate injury. Unsafe operation can create several hazards for you. Always take the following precautions when operating this mower:

- Keep in mind that the operator or user is responsible for accidents or hazards occurring to other people, their property, and themselves.
- Use ear protectors or earplugs rated for at least 20 dba to protect your hearing.
- Wear long pants while mowing.
- Use caution when mowing close to fences, buildings, trees, etc. so as not to hit the handlebar. Doing so, you may injure your hand or lose control of the machine.
- Keep all nuts and bolts tight, especially the blade attachment bolts, and keep the equipment in good operating condition.
- The mower blade is sharp and can cut. Wrap the blade or wear gloves and use extra caution when servicing.

Operating the equipment

It may be helpful to better familiarize yourself with the features of your equipment before beginning the steps outlined in this chapter.



WARNING

- A. Read and understand all instructions, safety precautions, and/or warnings listed in “PART I: General Safety Rules” before operating the equipment. If any doubt or question arises about the correct or safe method of performing anything found in this manual, please contact the dealers in your area.**
- B. When operating the equipment, make sure you are standing in the safe operating area. You must always stay in the safe operating area when the motor is running. Never place any part of your body into a position that causes an unsafe operating condition.**
- C. Before operating the equipment, always wear protective gear, including safety goggles, hearing protection, tight-fitting gloves without draw strings or loose cuffs, and steel-toed shoes.**
- D. Knowing the correct and incorrect methods of operating the equipment. Never using an incorrect or unsafe method.**

Maintenance

⚠WARNING

Regular maintenance is the way to ensure the best performance and long life of your machine. Please refer to this manual and the engine manufacturer's user manual for maintenance procedures.

Before performing any maintenance procedure or inspection, stop the engine, wait five minutes to allow all parts to cool. Disconnect the spark plug wire, keeping it away from the spark plug. Disconnect the Battery Terminals (Electric start only).

Regular Maintenance Checklist

Procedure	Before Each Use	Every 25 Hours	Every 100 Hours
Check engine oil level	Δ		
Check general equipment condition	Δ		
Check blade for sharpness	Δ		
Check Drive Traction Cable	Δ		
Check Blade engagement Cable	Δ		
Check all Belt Tensions Condition		Δ	
Check Cable connections		Δ	
Check tire pressure		Δ	
Clean engine exterior and cooling		Δ	
Change Engine Oil	First time 5hours	Δ	
Replace air filter		Δ	
Replace spark plug			Δ
Replace Fuel Filter			Δ

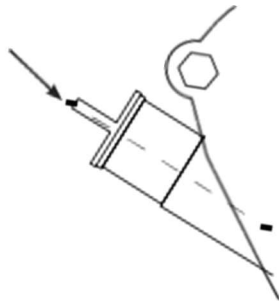
Engine Service

Refer to the engine manufacturer's user manual for engine maintenance.

ADDING OIL TO THE ENGINE

- Only fill the fuel tank to a level 15mm lower than the top of the fuel tank. Do not over ll.
- Use the dipstick to check the oil level. use 10w- 30/ 10w-40/ 15w- 30/ 15w-40 non-synthetic engine oil. Fill to the correct level before use.

Dipstick cover



- The engine is shipped without oil. Fill to the correct level before use operating the engine with no oil or oil at a low level will destroy the engine- this is not covered under warranty.

Changing the Engine Oil

1. Remove the "Engine Oil Fill Cap".
2. Remove the "Engine oil drain bolt".
3. When the Engine Oil is completely drained, reinstall the "Engine oil drain bolt".
4. Fill enough Engine Oil from the position of "Engine oil fill cap", and reinstall the fill cap.

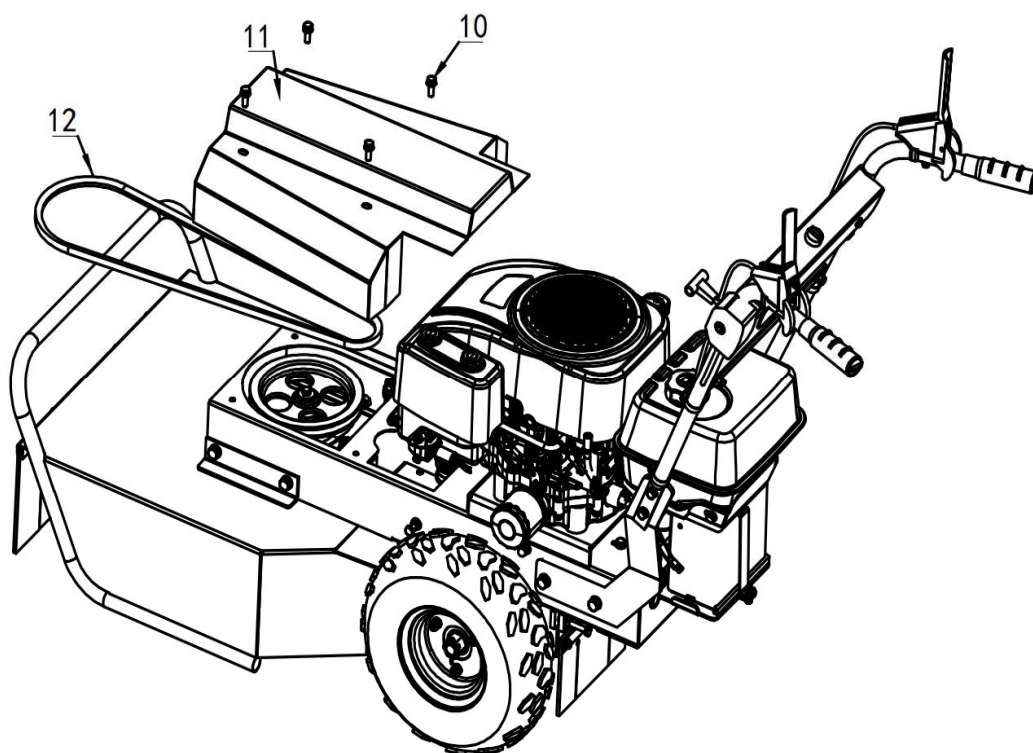
Notice: Check the engine manual for the proper type of engine oil you should use.

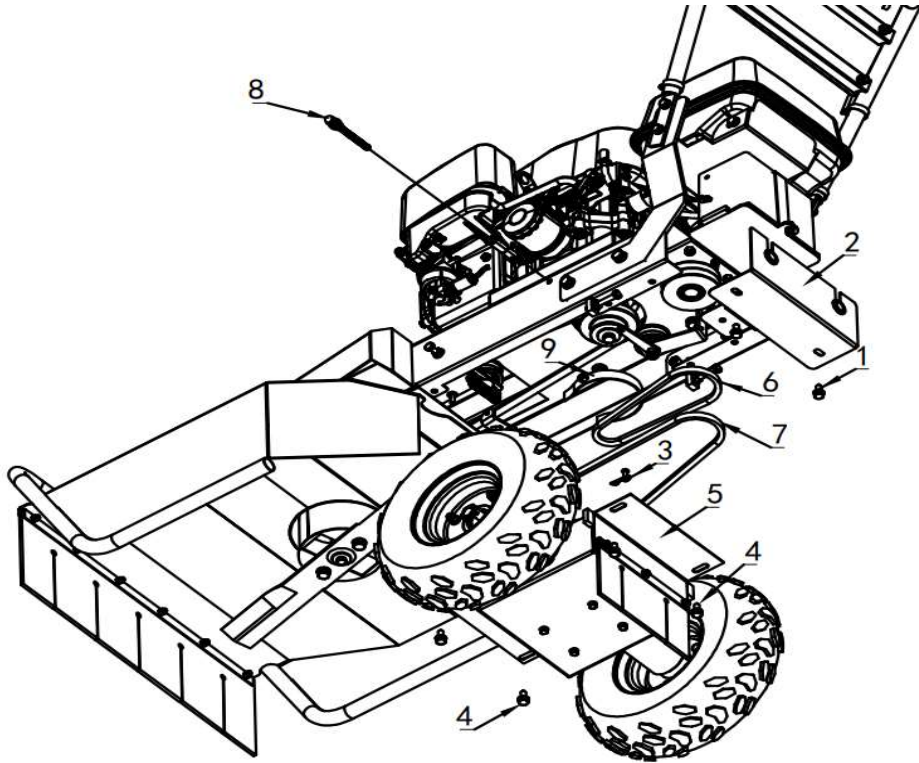
Replacing the Blade Belt

1. Remove the “Belt Cover”(No.11) by unscrewing the 4 bolts(No.10) which fasten the cover to the frame.
2. Remove the “Belt locator strip”(No.9) by unscrewing the screw(No.8).
3. Remove the Belt(No.12).
4. Install new Belt.
5. Install back the belt cover(No.11) and “Belt locator strip”(No.9).

Replacing the Drive Belts

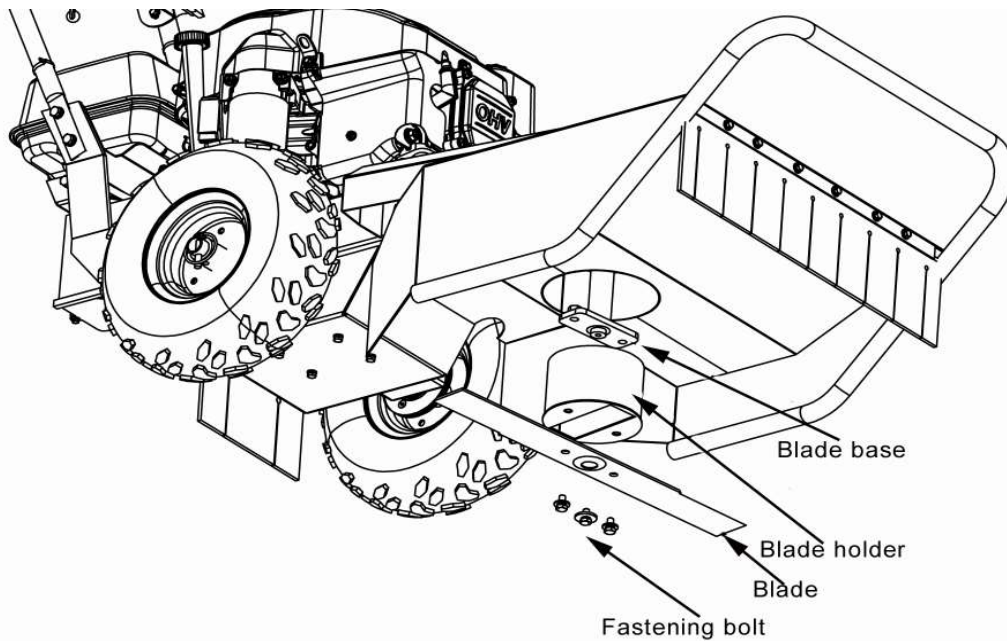
1. Remove the “Rear Cover”(No.2) by unscrewing the 2 bolts(No.1).
2. Remove the Pins(No.3).
3. Remove the “Gear box”(No.5) by unscrewing the 4 bolts(No.4)
4. Replace the “Drive Belt A500”(No.6) and/or “Drive Belt A940”(No.7).
5. Install back “Gear box”, Pins and “Rear Cover” refer to step 1-3.





Removing and Replacing the Blade

1. Push Down the handlebar to see the blade system.
2. Use tools to block the blade to prevent the spinning of the blade.
3. Unscrew the 3 fastening bolts from the blade.
4. Install new blade and fasten with the 3 bolts.



Troubleshooting

⚠WARNING

Most problems are easy to fix. Consult the Troubleshooting Table below for common problems and their solutions. If you continue to experience problems, contact the dealers in your area.

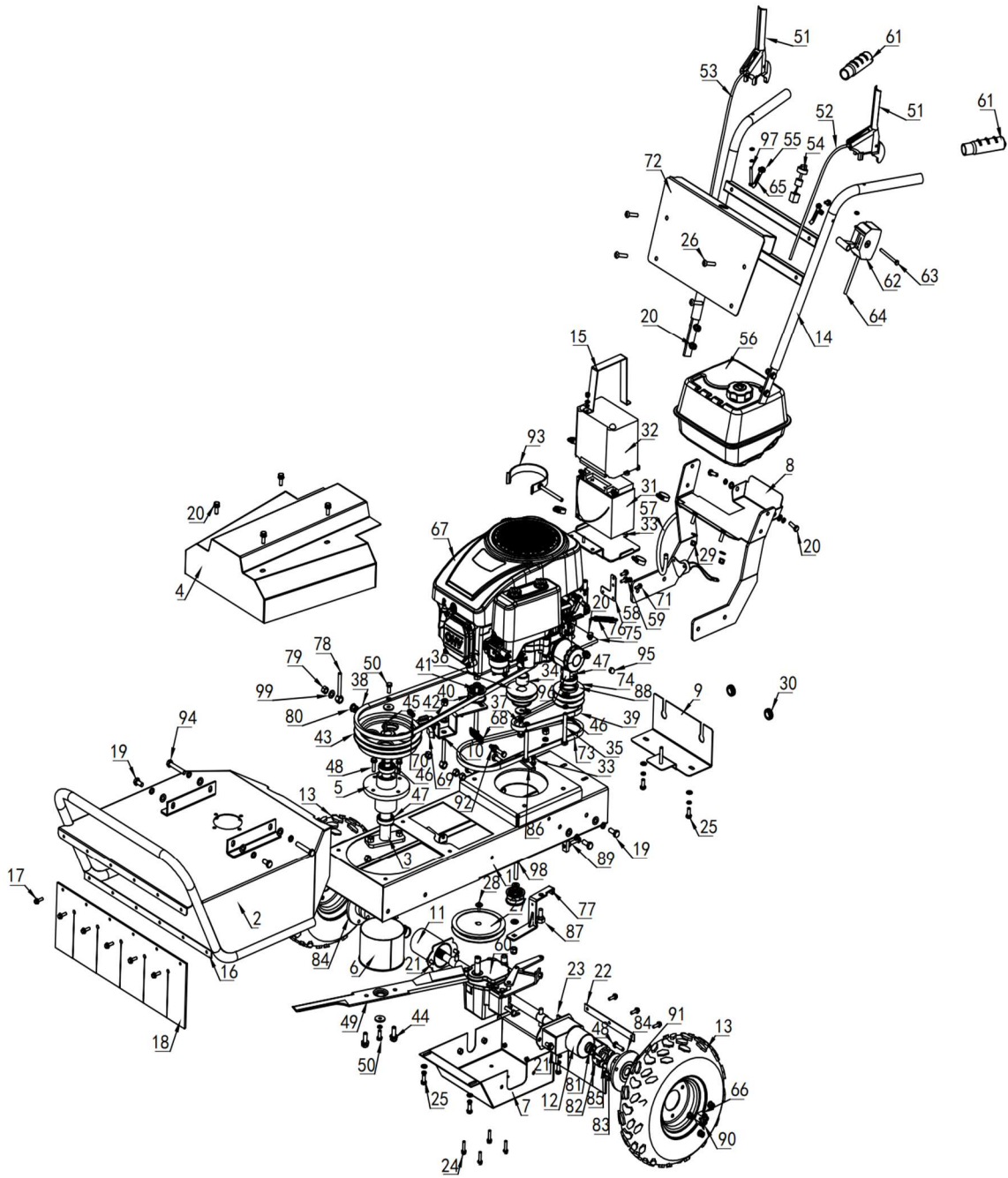
Before performing any maintenance procedure or inspection, stop the engine, wait five minutes to allow all parts to cool. Disconnect the spark plug wire, keeping it away from the spark plug.

Troubleshooting Table

SYMPTOM	POSSIBLE CAUSE
<p><i>The engine won't start.</i></p> <p><i>(Please refer to the engine user manual for engine-specific procedures.)</i></p>	<ul style="list-style-type: none"> ➤ <i>Is the ignition switch in the "ON" position?</i> ➤ <i>Are you using fresh, clean gas? If the gas is old, change it. Use a fuel stabilizer if you keep gas longer than 30 days.</i> ➤ <i>Is the spark plug clean? If the spark plug is dirty or cracked, change it. If it's oily, leave it out, hold a rag over the plug hole and pull the recoil cord several times to blow out any oil in the cylinder, then wipe off the plug and reinsert it.</i>
<p><i>The engine lacks power or not running smoothly.</i></p> <p><i>(Please refer to the engine user manual for engine-specific procedures.)</i></p>	<ul style="list-style-type: none"> ➤ <i>Check that the Throttle Lever is in the "Run" position.</i> ➤ <i>Is the air filter clean? If it's dirty, change it following the procedure in the engine manufacturer's owner's manual.</i> ➤ <i>Is the spark plug clean? If it's fouled or cracked, change it. If it's oily, leave it out, hold a rag over the plug hole and pull your recoil cord several times to blow out any oil in the cylinder, then wipe off the plug and reinsert it.</i> ➤ <i>Are you using fresh, clean unleaded gas? If it's old, change it. Use a fuel stabilizer if you keep gas longer than 30 days.</i> ➤ <i>Does your engine have the right amount of clean oil? If it's dirty, change it following the procedure in the engine manufacturer's owner's manual.</i> ➤ <i>Check the oil level and adjust as needed.</i>
<p><i>Engine smokes.</i></p> <p><i>(Please refer to the engine user manual for engine-specific procedures.)</i></p>	<ul style="list-style-type: none"> ➤ <i>Check the oil level and adjust as needed.</i> ➤ <i>Check the air filter and clean or replace if needed.</i> ➤ <i>You may be using the wrong oil—too light for the temperature. Refer to your Engine Owner's Manual for detailed information.</i> ➤ <i>Clean the cooling fins if they're dirty.</i>
<p><i>The Belt frays or rolls</i></p>	<ul style="list-style-type: none"> ➤ <i>A Pulley groove may be nicked. Check the Belt for wear and hard spots. File off any nicks on the Pulley.</i>

<i>over the Pulley.</i>	➤ <i>The Belt may be stretched; replace it.</i>
<i>Blade vibrates when engaged.</i>	<ul style="list-style-type: none"> ➤ <i>Replace the Blade if it is chipped, bent, or broken.</i> ➤ <i>The Spindle Bearings may be bad, or the Spindle Shaft is bent.</i>
<i>The Blade is not cutting or is loose.</i>	<ul style="list-style-type: none"> ➤ <i>The Blade may not be seated properly on the hub. Loosen the Blade Bolt, reseal the Blade, and tighten the Bolt. Be sure to turn OFF the Engine and remove the Spark Plug Wire before performing this operation.</i> ➤ <i>Sharpen or replace the Blade; it may be dull or nicked.</i>
<i>Wheels pulling left or right.</i>	➤ <i>The Tires may not have the proper air pressure. Check the recommended Tire pressure on the side of the Tire. Do not exceed the maximum pressure recommended.</i>
<i>The Wheels will not drive.</i>	➤ <i>Traction Drive Cable needs adjustment.</i>

Parts Diagram



Parts List

Ref.No	Description	Ref.No.	Description
1	Chassis	51	90° handle
2	Protection cover	52	Gearbox cable
3	Blade axle	53	Tension cable
4	Belt cover	54	Ignition switch
5	Axle seat	55	M6*12 flange screw+nut
6	Axle cover	56	Tank
7	Gearbox cover	57	Fuel tank hose350mm
8	Tank seat	58	Fixing sheet
9	Belt location frame	59	M6*16 flange screw+nut
10	Tension wheel frame	60	Gearbox
11	Right wheel axle cover	61	Handle grip φ25
12	Left wheel axle cover	62	Throttle switch
13	Wheel	63	M6*55 hex screw+ lock nut
14	Entire handrail section	64	Throttle cable
15	Battery box fixing strip	65	Iron cable tie
16	Front rubber fixing bar	66	Hexagon slot tooth nut [m20x1.5]
17	M6*20 flange screw	67	Engine
18	Front rubber guard	68	Stretch spring
19	M10*25 hex screw+flat washer+spring washer	69	brake pad
20	M8 * 25 screw+nut set	70	M6x20 screw + nut
21	M8*16 flange screw	71	M5*16 flange screw + nuts
22	Rear rubber fixing bar	72	Ignition switch board
23	Rear rubber guard	73	transition wheel belt A940
24	M6*30 hex screw+flat washer+spring washer	74	A type double belt pulley
25	M8*20 hex screw+flat washer+spring washer	75	Transition wheel axle
26	M8X40 half-round screws	76	Return spring
27	gearbox pulley	77	Walking tensioning wheel bracket

28	M6X20 hex screw+flat washer+spring washer	78	Limit rod
29	M8locknut+spring washer+flat washer	79	M10 nut
30	φ25 wire protection ring	80	M10 lock nut
31	battery	81	Axle sleeve pressure spring
32	battery cover	82	Rotating slide sleeve
33	M6*16 flange screw + flat washer + lock nut	83	Ball seat
34	engine spacer	84	Steering hub
35	M10*80 hex screw+flat washer +spring washer	85	M10X20 hexagon socket head screw+spring washer+flat nut
36	engine pulley	86	Tension connecting piece
37	M10*35 hex screw+flat washer +spring washer	87	Step screw
38	main belt A1448	88	Hole retaining ring φ47
39	transition wheel belt A500	89	M8*55 hex screw+flange nut
40	tension wheel	90	Cotter pin 4*32
41	M10*45 Round head square neck bolt+spacer+lock nut	91	Flat washer 21*3
42	M12 lock nut+spacer	92	Adjusting screw M8X55
43	blade axle pulley	93	Belt anti bounce frame
44	M10*30 hex screw+flat washer+spring washer	94	M10*60 hex screw+flat washer+spring washer
45	keyway 6*6*28	95	M8 cover nut
46	φ25 circlip	96	Screw sleeve
47	Bearing 6005-2Z	97	M6*45 hex screw
48	M8*30 hex screw+flat washer+spring washer	98	M10*45hex screw+spacer+nut
49	Blade	99	M10 spacer
50	M8*20 hex screw+ larger washer+ spring washer		

Replacement Parts

- For replacement parts and technical questions, please call Customer Service at **1-800-222-5381**.
- Not all product components are available for replacement. The illustrations provided are a convenient reference to the location and position of parts in the assembly sequence.
- When ordering parts, the following information will be required: item description, item model number, item serial number/item lot date code, and the replacement part reference number.
- The distributor reserves the rights to make design changes and improvements to product lines and manuals without notice.

Limited Warranty

Northern Tool and Equipment Company, Inc. ("We" or "Us") warrants to the original purchaser only ("You" or "Your") that the Powerhorse product purchased will be free from material defects in both materials and workmanship, normal wear and tear excepted, for a period of two year from date of purchase. The foregoing warranty is valid only if the installation and use of the product is strictly in accordance with product instructions. There are no other warranties, express or implied, including the warranty of merchantability or fitness for a particular purpose. If the product does not comply with this limited warranty, your sole and exclusive remedy is that We will, at our sole option and within a commercially reasonable time, either replace the product or product component without charge to You or refund the purchase price (less shipping). This limited warranty is not transferable.

Limitations on the Warranty

This limited warranty does not cover: (a) normal wear and tear; (b) damage through abuse, neglect, misuse, or as a result of any accident or in any other manner; (c) damage from misapplication, overloading, or improper installation; (d) improper maintenance and repair; and (e) product alteration in any manner by anyone other than Us, with the sole exception of alterations made pursuant to product instructions and in a workmanlike manner.

Obligations of Purchaser

You must retain Your product purchase receipt to verify date of purchase and that You are the original purchaser. To make a warranty claim, contact Us at 1-800-222-5381, identify the product by make and model number, and follow the claim instructions that will be provided. The product and the purchase receipt must be provided to Us in order to process Your warranty claim. Any returned product that is replaced or refunded by Us becomes our property. You will be responsible for return shipping costs or costs related to Your return visit to a retail store.

Remedy Limits

Product replacement or a refund of the purchase price is Your sole remedy under this limited warranty or any other warranty related to the product. We shall not be liable for: service or labor charges or damage to Your property incurred in removing or replacing the product; any damages, including, without limitation, damages to tangible personal property or personal injury, related to Your improper use, installation, or maintenance of the product or product component; or any indirect, incidental or consequential damages of any kind for any reason.

Assumption of Risk

You acknowledge and agree that any use of the product for any purpose other than the specified use(s) stated in the product instructions is at Your own risk.

Governing Law

This limited warranty gives You specific legal rights, and You also may have other rights which vary from state to state. Some states do not allow limitations or exclusions on implied warranties or incidental or consequential damages, so the above limitations may not apply to You. This limited warranty is governed by the laws of the State of Minnesota, without regard to rules pertaining to conflicts of law. The state courts located in Dakota County; Minnesota shall have exclusive jurisdiction for any disputes relating to this warranty.

POWERHORSE™

Distributed by:

Northern Tool & Equipment Company, Inc.

Burnsville, Minnesota 55306

www.northerntool.com

Made in CHINA