

# EASY-SET SCAFFOLD TOWER™

## OPERATIONAL SAFETY AND ASSEMBLY INSTRUCTIONS



Picture may differ from actual product.



**READ THESE INSTRUCTIONS CAREFULLY BEFORE USING THIS PRODUCT.  
KEEP THIS MANUAL HANDY FOR FUTURE REFERENCE.**

**Customer Service**  
**1 800 363-7587**



# READ BEFORE BEGINNING ASSEMBLY.

**FAILURE TO UNDERSTAND AND FOLLOW ALL SAFETY RULES AND ASSEMBLY INSTRUCTIONS COULD RESULT IN SERIOUS INJURY OR DEATH.**



### METAL CONDUCTS ELECTRICITY:

Do not use this equipment where contact may be made with power lines or other live electrical circuits.



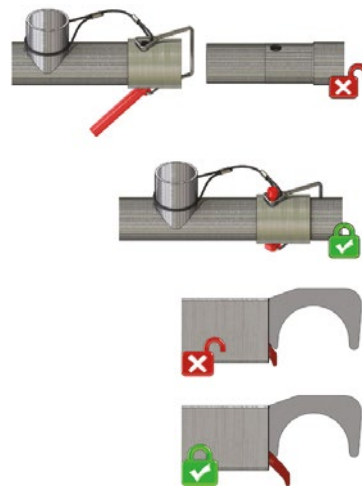
### DO NOT OVERLOAD:

Scaffolding maximum load: 800 lb (363 kg). Platform: 25 lb/sq. ft. (122 kg/m<sup>2</sup>)

## ASSEMBLY PROCESS

### 1. Preparation

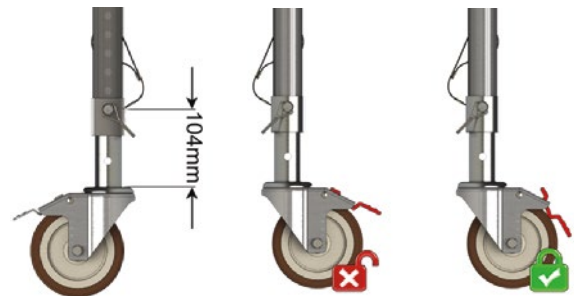
- Locate the tower, ensuring ground is level.
- Unlock the interlock pins on all frames.
- When installed, always move the interlock pin to the "locked" position.
- Sort the braces into horizontal and diagonal braces the diagonals are slightly longer.
- Unlock the brace locks.



### 2. Base

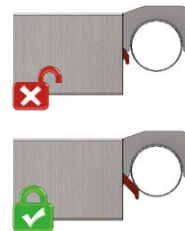
- Step 1: Ensure interlock pins are removed from the base frame.
- Step 2: Install caster frames (bottom frames).
- Step 3: Insert the interlock pin as shown.
- Step 4: Lock casters before ascending any part of the tower

**Note the locking and unlocking position for the casters.**



### 3. Locking down the platform (Windlock)

A windlock clip is installed on the platform at the hook. This is locked as shown here.



## USAGE ADVICE

- We recommend a minimum of two people to assemble, dismantle and move the platform tower.
- Check that all components are on-site and in good working order.
- Ensure that the assembly location is checked to prevent hazards during assembly, dismantling or moving and while working on the tower. Particular attention should be given to the ground condition, whether level or sloping, obstructions and wind conditions. The ground condition must be capable of supporting the tower structure.
- Towers must always be climbed from the inside of the assembly using the ladder.
- Lifting of components must be done inside the effective base area of the tower; components are normally hoisted using a rope.
- Moving the tower must only be done by manual effect from the base of the tower.
- When moving tower be aware of overhead hazards (e.g. electric cables).
- No personnel or material to be on the platform whilst the tower is being moved.
- Beware of horizontal loads, which can lead to instability of the tower. The maximum side force is 20kg.
- Do not use boxes or steps to gain additional height. If extra height required, contact your distributor to get extra components.
- Do not lift or suspend an assembled mobile tower.
- Damaged components or components from other tower systems must never be used.
- Stabilisers should always be fitted when specified. Use the stabiliser shown in the component list according to the tower height.
- When wind exceeds Beaufort's force 4, cease using the tower.
- If wind is expected to reach Beaufort's force 6, tie tower to a rigid structure.
- If winds of Force 8 are forecasted, dismantle the tower or remove to shelter.

| <b>WIND SPEEDS</b> |                 |                  |                 |   |
|--------------------|-----------------|------------------|-----------------|---|
| <b>FORCE</b>       | <b>PEAK MPH</b> | <b>PEAK KM/H</b> | <b>PEAK M/S</b> | <b>GUIDANCE</b>                             |
| 4                  | 18              | 29               | 8.1             | Moderate breeze – raises dust & loose paper |
| 6                  | 31              | 50               | 13.9            | Strong breeze – difficult to use umbrella   |
| 8                  | 48              | 74               | 20.8            | Gale force – walking is difficult           |

## CARE AND MAINTENANCE

- Keep all equipment clean, especially spigots and sockets where frames join. Spigots should fit easily into sockets. Lubricate with light oil.
- Remove dirt or paint from adjustable legs with a light brush, lightly oil the leg locks.
- Do not strike or hammer components. Do not throw or drop onto hard surfaces.
- Lightly oil spring mechanism of the hooks.
- For transport and storage, components are best stored vertically.
- Damaged parts should be repaired or replaced, refer to the Instant Upright website for further advice or contact your equipment supplier for advice.

## STABILISERS

Stabilisers are to be used, when specified, to guarantee the structural stability of the tower.

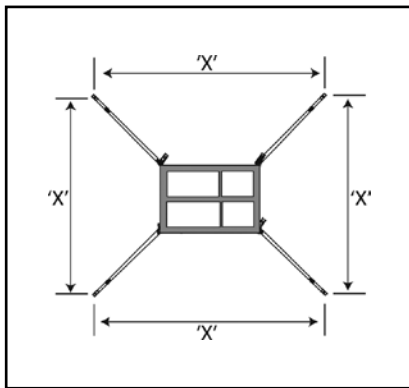


Fig.2

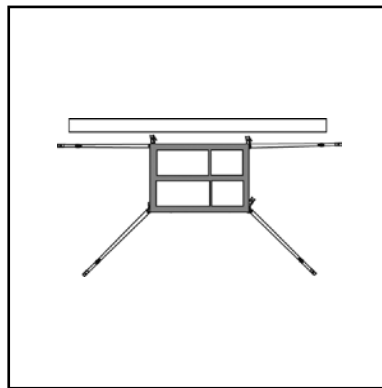


Fig.3

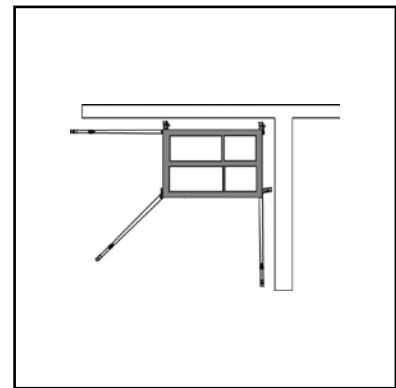


Fig.4

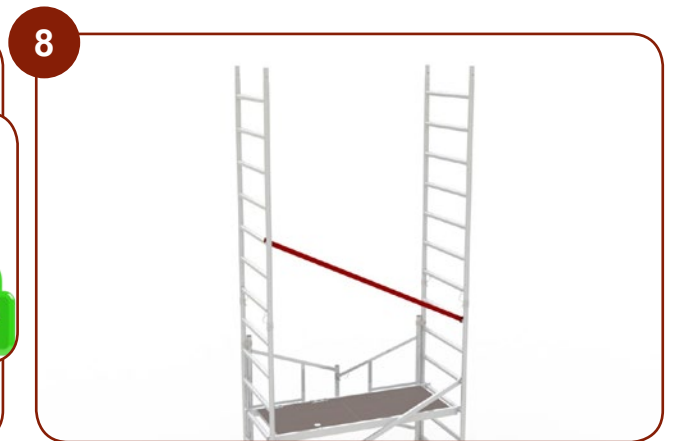
## STABILISERS

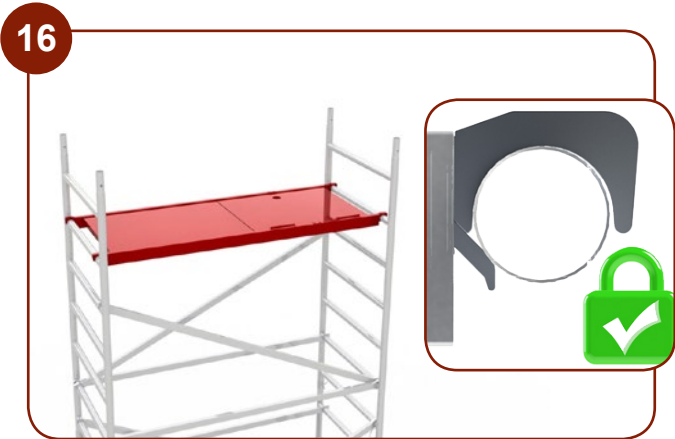
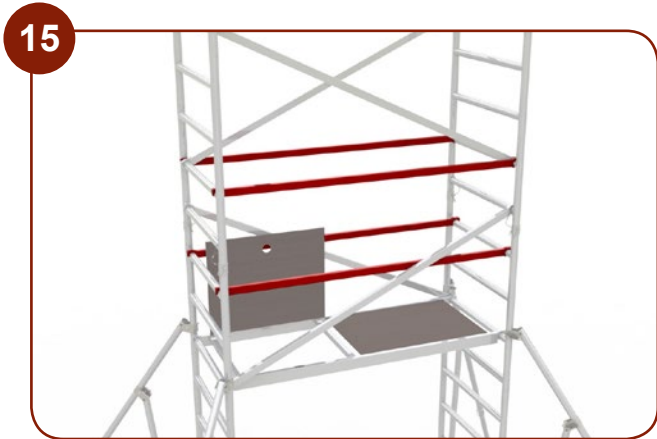
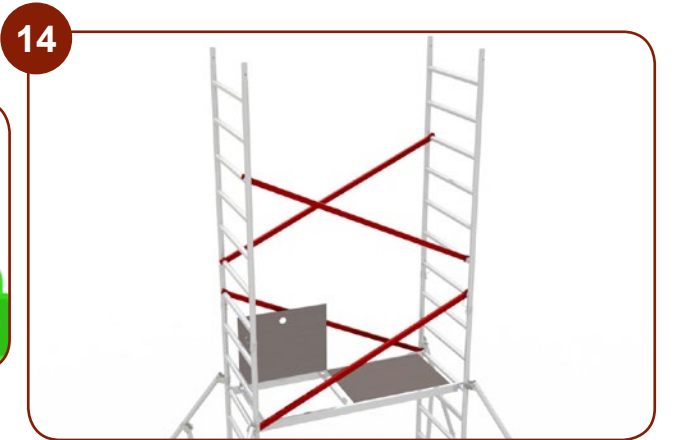
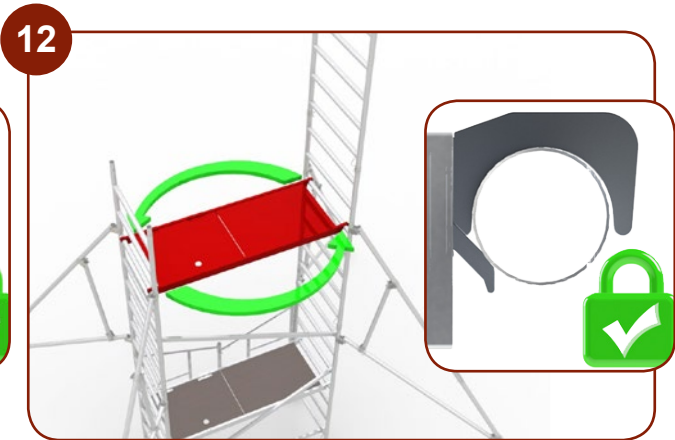
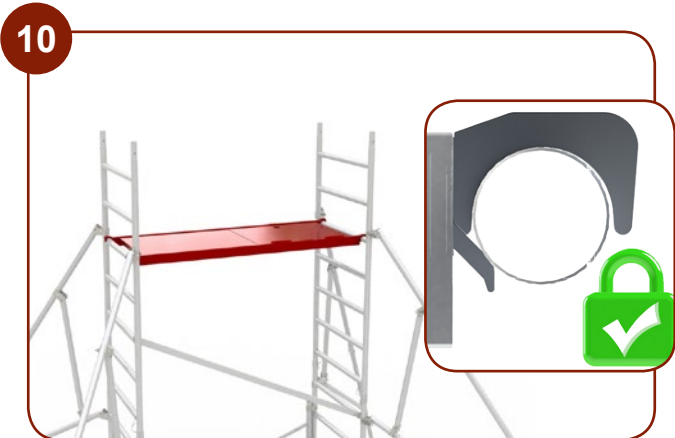
Lightly tighten the upper clamps above the sixth rung on each corner post. Position the lower clamp above the bottom rung. Ensure the lower arm is as horizontal as possible. Position the stabilisers so that the footpads are approximately equidistant from each other, as shown in Fig.2. Adjust the outrigger and reposition the clamps as required to make firm contact with the ground. Ensure the clips with locking pin are in place. When in the correct position, tighten the clamps firmly.

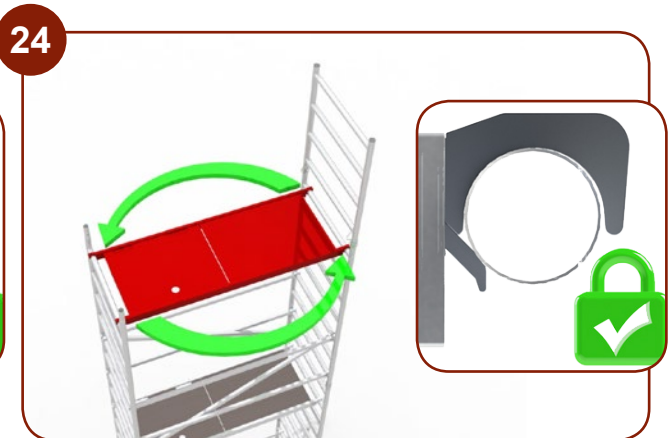
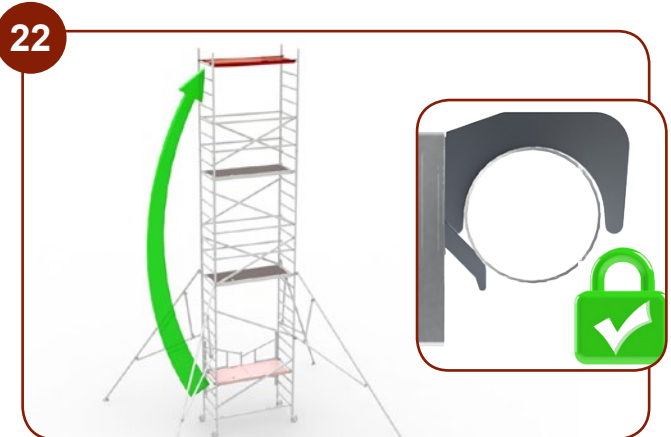
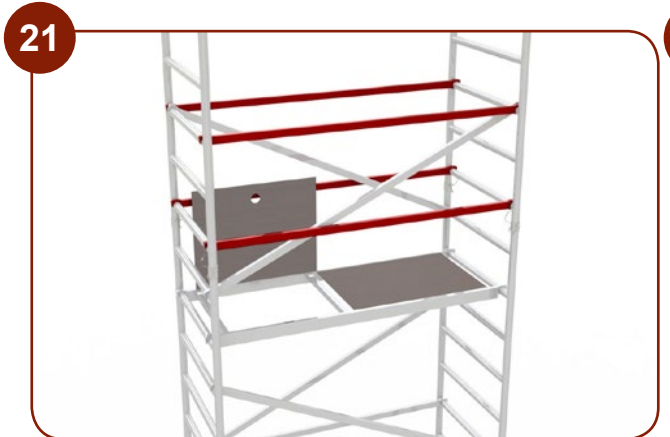
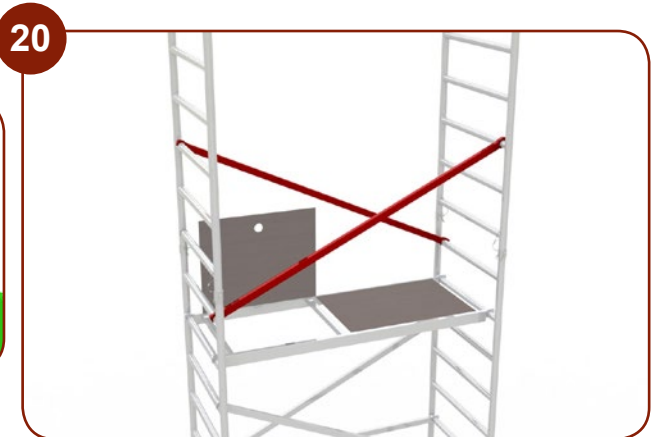
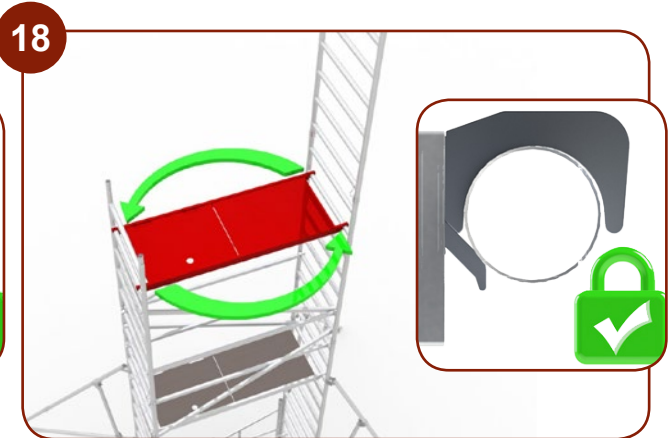
To position the tower against a wall, do not remove the stabiliser; move parallel with the wall. (Fig.3)

To position the tower in a corner, remove the inside stabiliser and place the outside two parallel with the wall. (Fig.4)

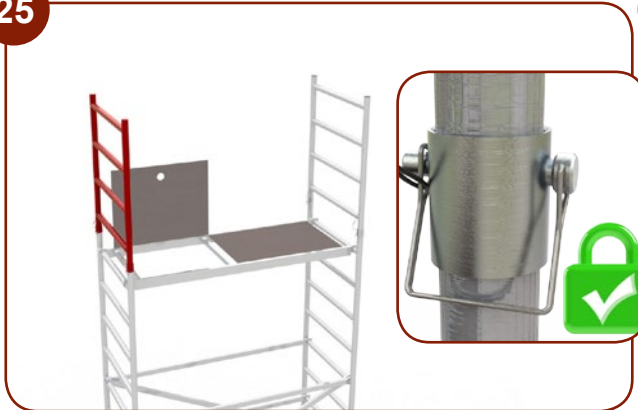
# INSTRUCTIONS



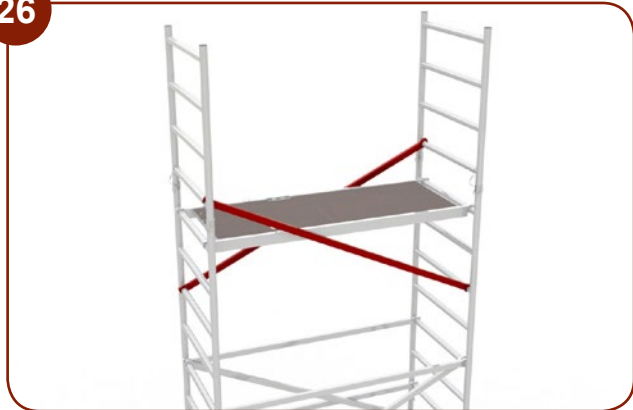




25



26



27



28



29



**WWW.METALTECH.CO**  
**1 800 363-7587**  
 LAVAL, QUEBEC, CANADA H7L 3N6