



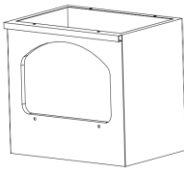


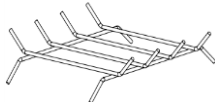
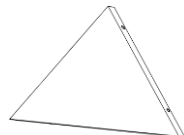


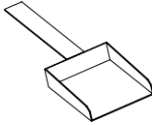


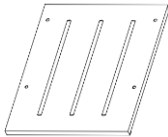

# Assembly Instruction

---

SKU: 58295

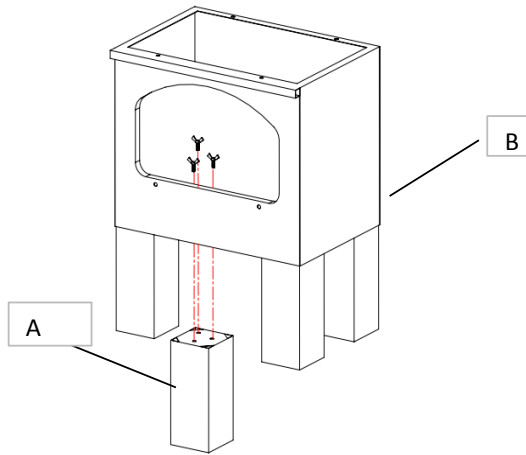
Item Name: Cabin-style Cooking Chiminea



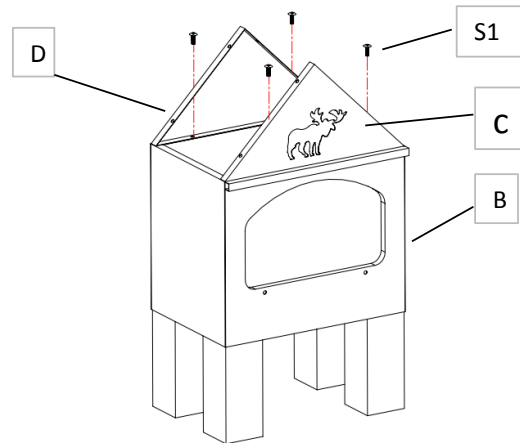
NO.	Qty	Description	Drawing	NO.	Qty	Description	Drawing
A	4	Legs		H	1	Cooking grill	
B	1	Firebox body		I	1	Firebox shelf	
C	1	Roof support plate 1		J	1	Log rack	
D	1	Roof support plate 2		K	1	poker	
E	1	Chimney		L	1	Ash shovel	
F	1	Roof 1		S1	14	Round screw	
G	1	Roof 2		S2	14	Wing screw	

**Step1:**

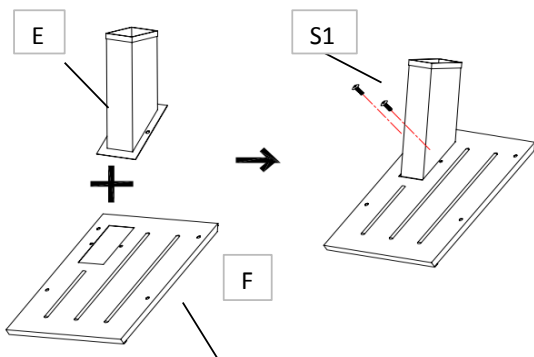
Assemble 4 legs(A)to the firebox body(B)with wing screw(S2)

**Step2:**

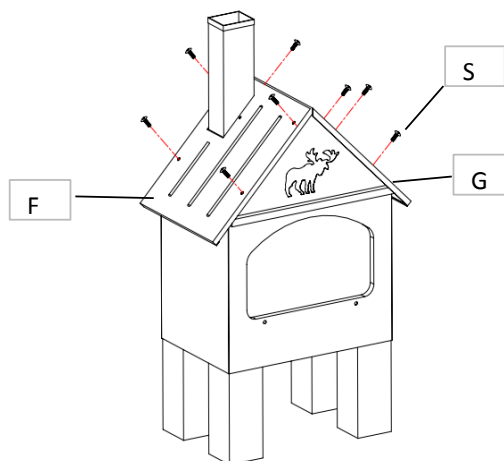
Connect roof support plate 1 (C) roof support plate 2 (D) to the fire body(B) with round screw(S1)

**Step3:**

Chimney (E) to Roof 1(F) with wing screw(S1)

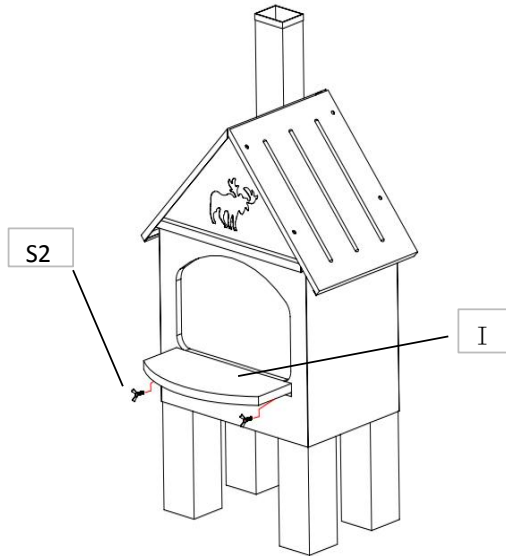
**Step4:**

Connect Roof 1 (F) and the Roof 2 (G) to section 1 and section 2 with wing screw(S1)



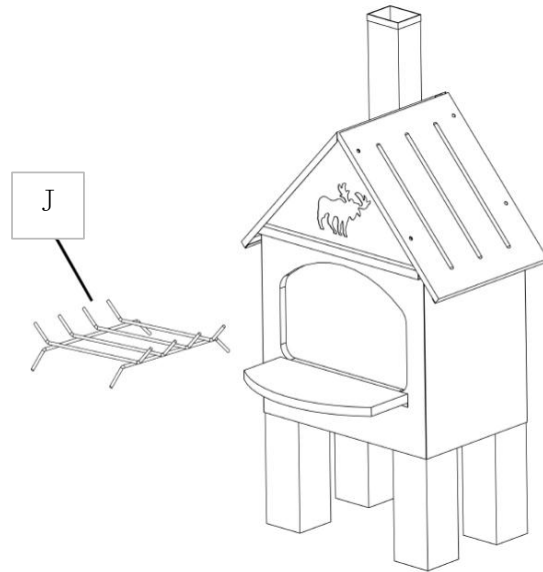
**Step5:**

Connect the firebox shelf(I)to the firebox(B) with wing screw (S2)as shown



**Step6:**

Place log rack(J)into the firebox(B)



**Step7:**

Place the cooking grill(H)into the fire box.then cooking chiminea is ready!enjoy it!

