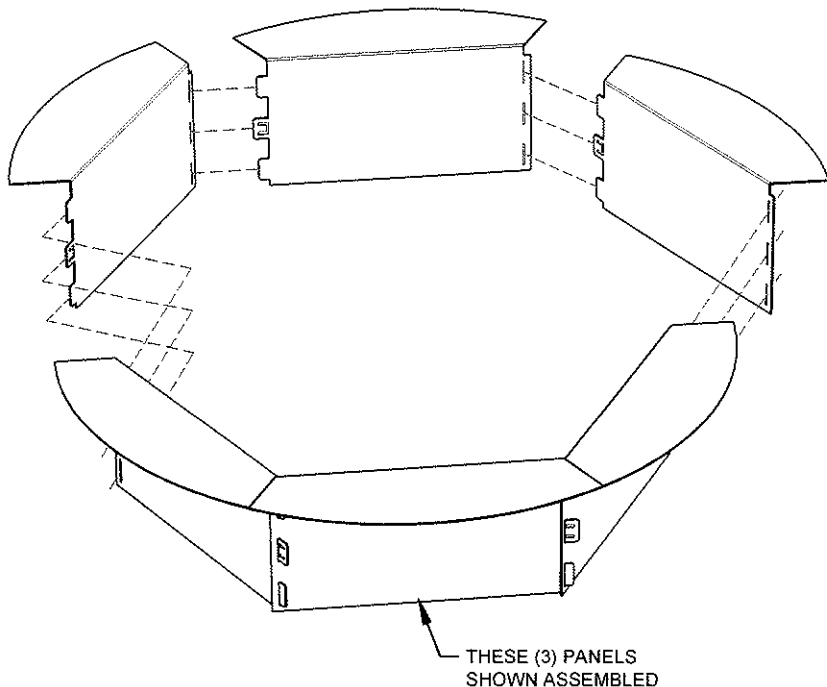
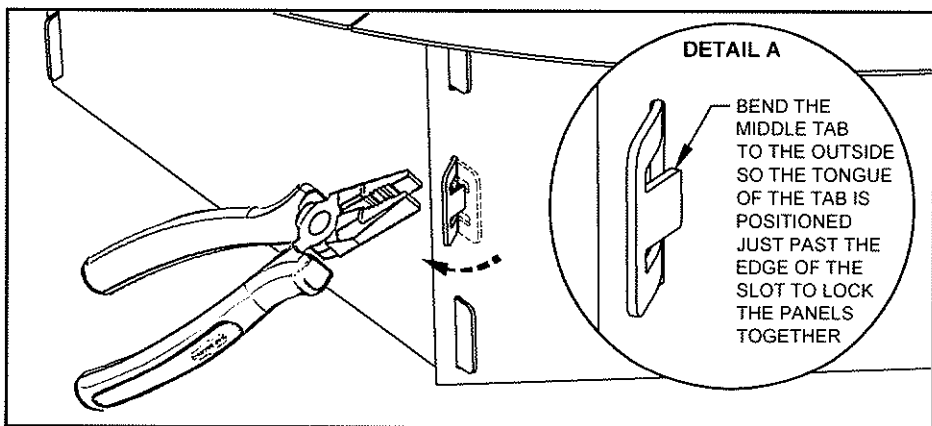


# Model IHSS-22/6

## Stainless Steel HEXAGONAL FIRERING INSERT

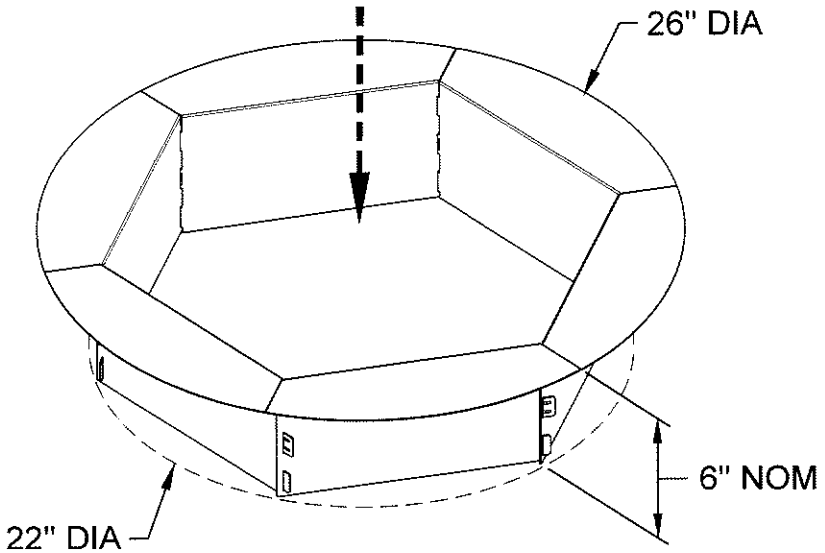
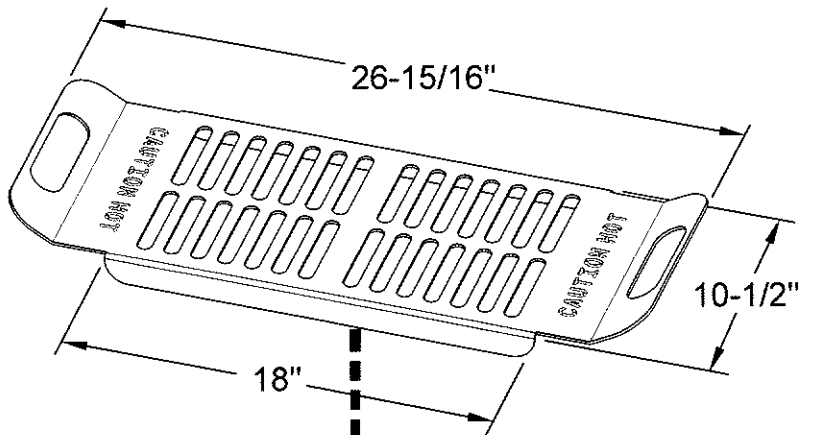


1. Peel the protective plastic film from each panel.
2. Wear sturdy gloves while assembling.
3. Assemble on a flat surface.



4. After panel assembly, bend the middle tab on each panel outward with a pair of pliers -see Detail A.

**Model DIG/S-3  
Stainless Steel  
DROP-IN GRATE**



**Model IHSS-22/6  
Stainless Steel  
HEXAGONAL FIRERING INSERT**