

3-4 Side Guard Rail System

MODEL: MFGRSET3-4



ScaffoldMart

.com

User Manual & Safety Guide



Read This Manual

Thoroughly read this manual before assembling or using scaffolding unit. Failure to do so can result in **injury or death.**

Seriously... **read it.**



**ONE YEAR
WARRANTY**



Meets Code A10.8



Conforms to
29 CFR Part 1926



Conforms to
CSA Standard

Read Instructions thoroughly before assemblage. Non-compliance with guidelines may result in serious injury or death.

PRIOR TO USE

- Refrain from using scaffolding if you are unwell, taking medication, consuming alcohol, mind-altering drugs or experiencing any other condition that may impair your ability to work.
- Only use scaffold unit as intended and complying with local, state and national guidelines and legislation.
- Use ScaffoldMart outriggers and safety rails when stacking units. Inspect the scaffold unit before every use. Avoid using if structure is compromised or you are missing manufacturer parts.
- Safety rails must be constructed on all unprotected edges of work area where a fall of greater than 6ft (1.8 m) may occur.
- Always secure safety rail system with span pins and bolts.
- While constructing safety rail, ensure that the access panel opens inward over surface of platform. Ensure that lock is engaged on door latch before and after use.
- Ensure all braces and platform are locked prior to use.
- Scaffold must utilize two complete side rails with even weight distribution. Never use it without a complete unit. Failure to comply can result in injury, damage and death.
- Check that outriggers are properly secured before use.
- Only use on level, even surfaces. Avoid using scaffold on surfaces that are soft, muddy, debris filled, holey or otherwise obstructed.
- Avoid using corrosive materials on or near unit. Acids and other corrosive materials can compromise the integrity of the metal and wooden platform.
- Only use ScaffoldMart caster jacks to adjust height of casters. Never attach any other material to extend leg of unit.
- Keep platform free of obstacles and debris to avoid tripping while on unit.
- Secure caster wheels with span pins before use.
- For stability, center body in middle of scaffold unit. Excess weight on any side may cause unit to tip.
- Secure tools and materials to unit during use. Remove all objects before moving the unit.
- Never move scaffold unit while objects or personnel are on platform.
- Never use machinery to move scaffold. Use extra care when operating near machinery.
- Manually inspect all side rails to ensure locking mechanism is properly engaged before using unit. Do not use unit if locking mechanism is compromised.
- Do not stack units without using ScaffoldMart outriggers and guardrails.
- Never use unit during high winds or inclement weather.
- Keep a firm grip while ascending unit on ladder rungs.
- Maintain your scaffold platform with ScaffoldMart parts. Contact us for replacement platform planks. Never use platform if the structural integrity is compromised.
- Never form bridges from scaffold to another surface.
- Only use 3-sided guardrail configuration when open side is within 2" of a wall while multifunction is at or above 6' standing height. Failure to keep side rail within 2 inches of wall can result in injury, accident and death.
- Do not use 3-sided guardrail configuration when stacking units.
- Removing one long panel of guardrail system in conjunction with one unit and with open side within 2" of wall is allowable.
- 3-sided 1-unit high open side is allowed. Use our guard rail system to install our patent pending guard rail tool shelf to increase storage and utility.



Metal Conducts Electricity

Never use scaffolding unit in proximity to live electrical circuits or power lines.

List of Box Contents

- A.** Half Side Guard Rail with Hinge One (1)
- B.** Half Side Guard Rail with Hinge Two (1)
- C.** Half Side Guard Rail with Latch (2)
- D.** End Panel (2)
- E.** Toe Board Connector (2)
- F.** Latch Post (2)
- G.** Guard Rail Connector (4)
- H.** Toggle Pins (4)
- I.** Spring Rivet (8)
- J.** Fender Head Screw (8)
- K.** Nut (12)

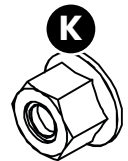
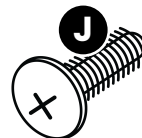
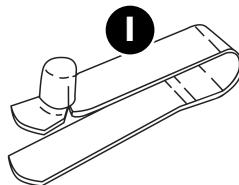
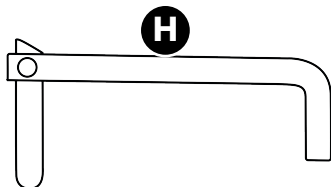
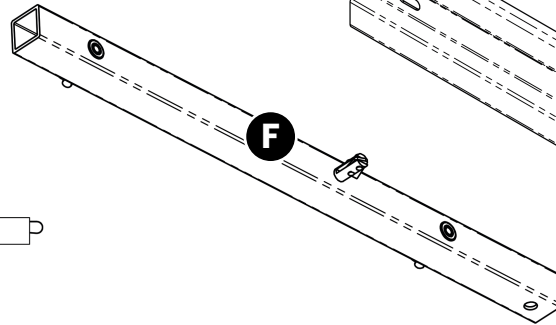
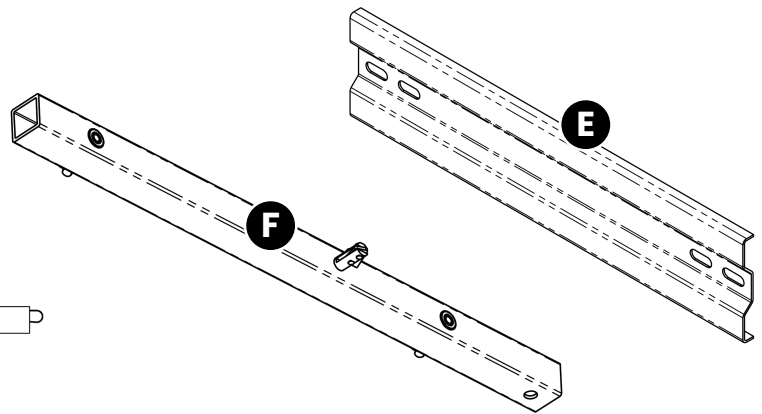
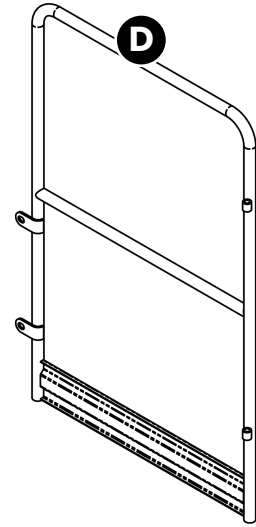
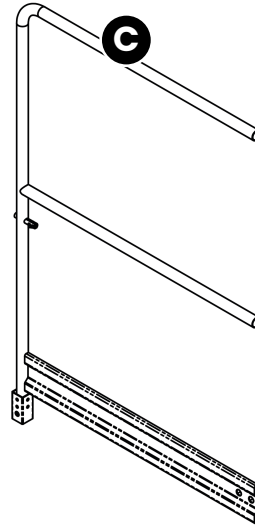
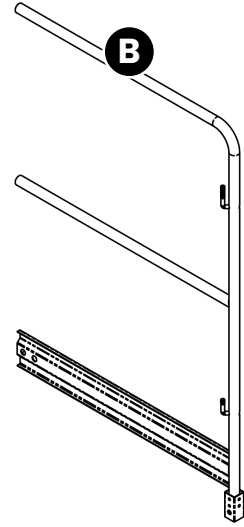
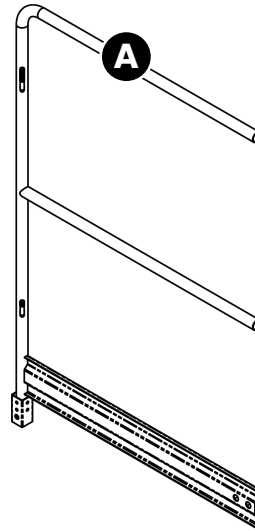
TOOLS REQUIRED



Adjustable Wrench &
Phillips Head Screwdriver

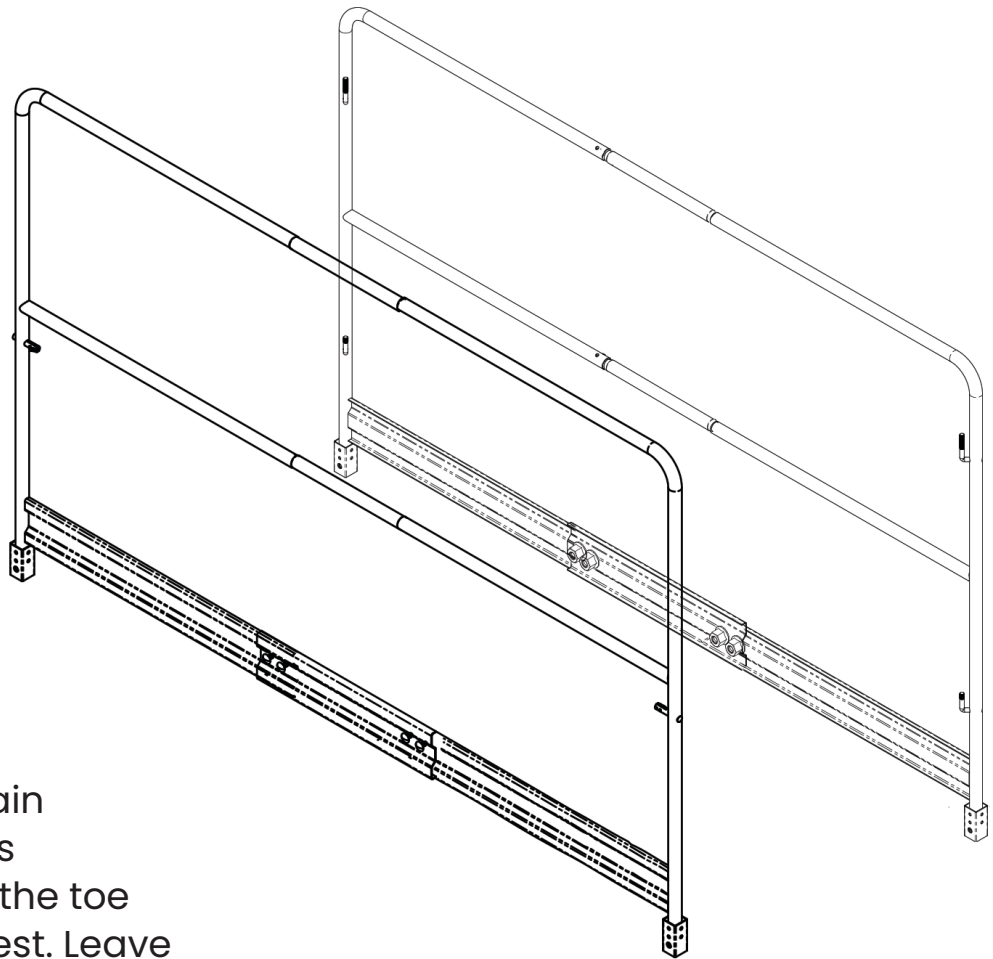
.....

Llave Ajustable &
Destornillador Phillips



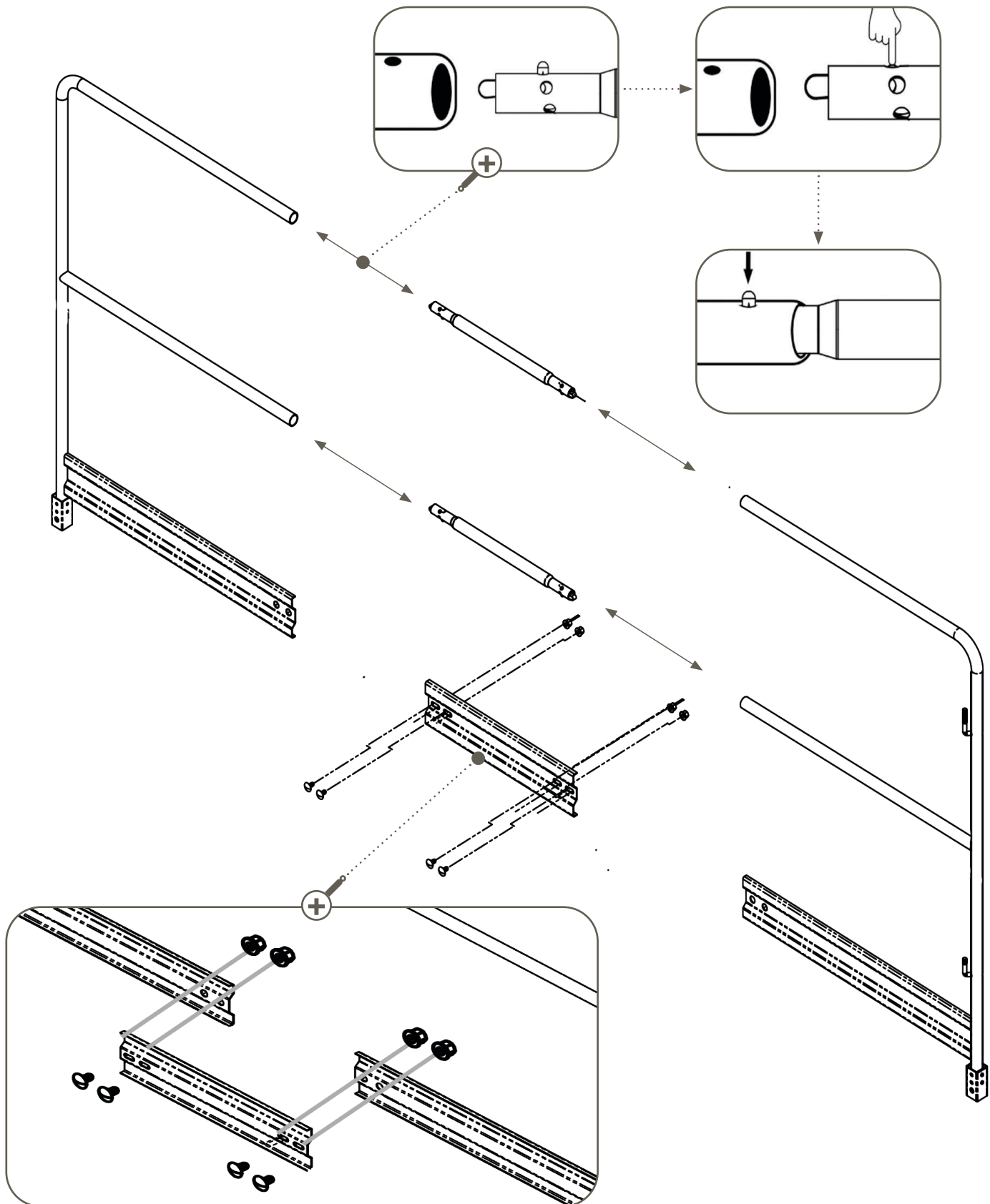
4-SIDED GUARD RAIL SETUP

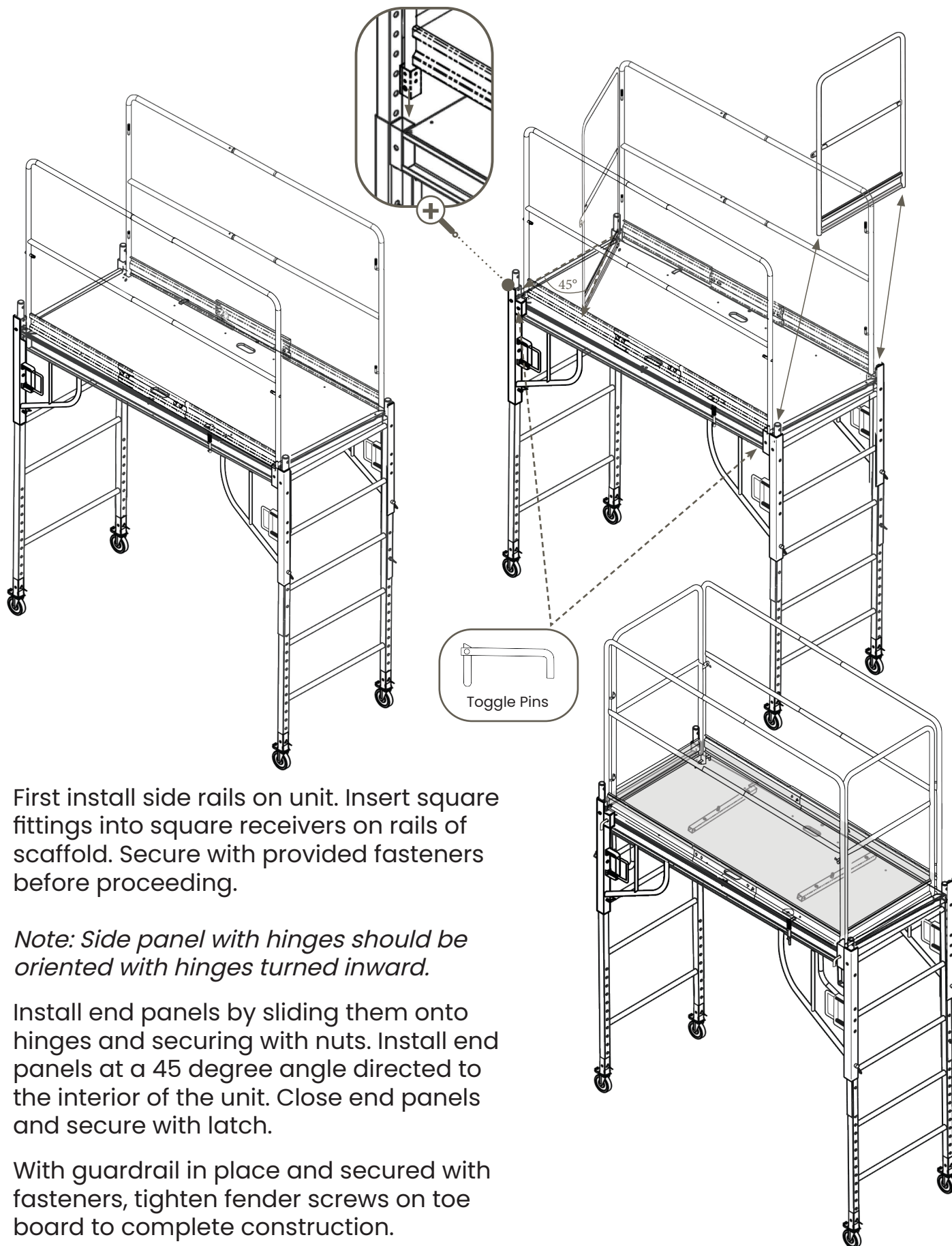
- 1 First place Half Side Guard Rail Panel with Hinge One on the ground, ensuring the hinges are pointing upwards and panel is flat on the ground.
- 2 With Half Side Guard Rail Panel with Hinge One on ground, attach two Guard Rail Connectors as shown in the illustration. Connectors have five adjustment holes to accommodate different size guardrails. Begin with middle hole and adjust fit as needed.
- 3 Attach Half Side Guard Rail with Hinge Two to opposite end of connectors, ensuring both half panels lay flat with hinges pointed upward.
- 4 Complete toeboard by attaching Toe Board Connector with fender screws as shown in the illustration. Make certain toe board connector is oriented the same as the toe boards so that they nest. Leave screws slightly loose for further adjustment once guardrail system is in place on the unit.
- 5 Repeat steps 1-4 with the two included Half Side Guard Rail with Latch



ONE YEAR WARRANTY

ScaffoldMart guarantees this product against any material defect for a period of one year beginning at the time of purchase. This warranty does not cover damages or injury due to inappropriate or incorrect use, care or maintenance of your unit.





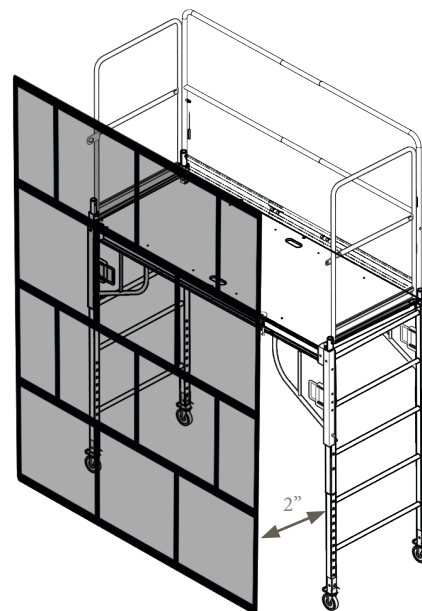
- 6 First install side rails on unit. Insert square fittings into square receivers on rails of scaffold. Secure with provided fasteners before proceeding.

Note: Side panel with hinges should be oriented with hinges turned inward.

- 7 Install end panels by sliding them onto hinges and securing with nuts. Install end panels at a 45 degree angle directed to the interior of the unit. Close end panels and secure with latch.
- 8 With guardrail in place and secured with fasteners, tighten fender screws on toe board to complete construction.

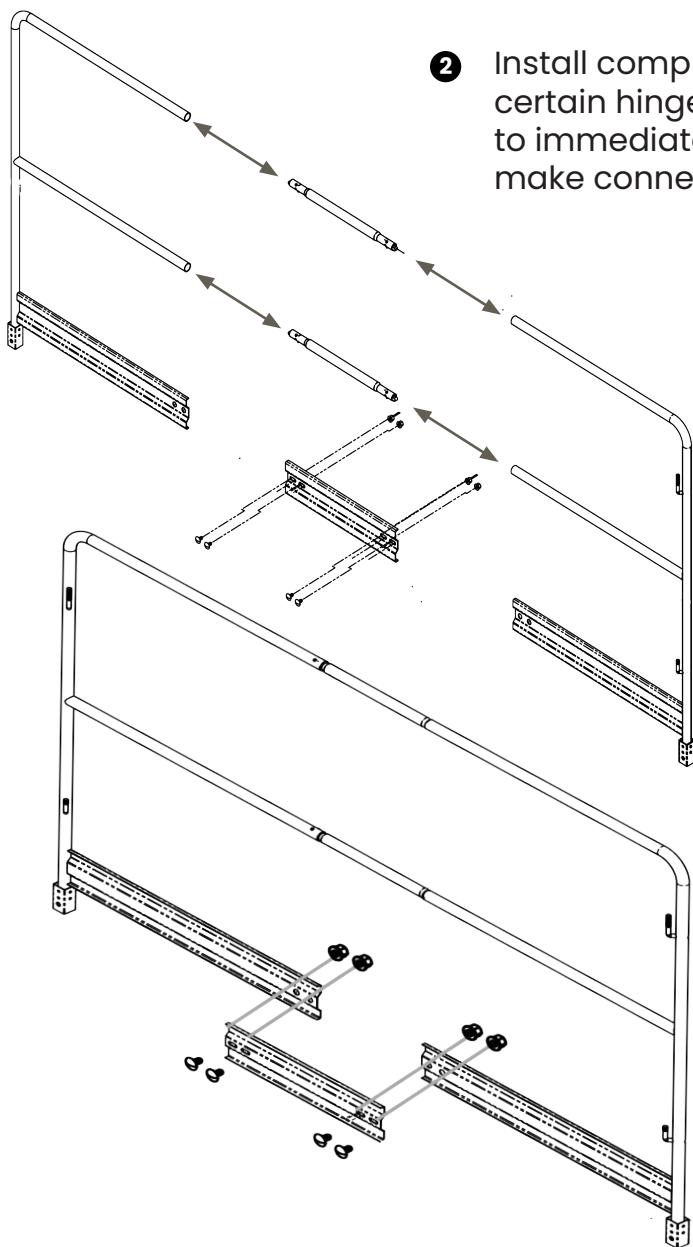


Never use guardrail in three-sided configuration where a fall of 72" or greater may occur. Edge of platform on open side must stay within 2" of a structurally sound wall in it's entirety when in three-sided configuration.

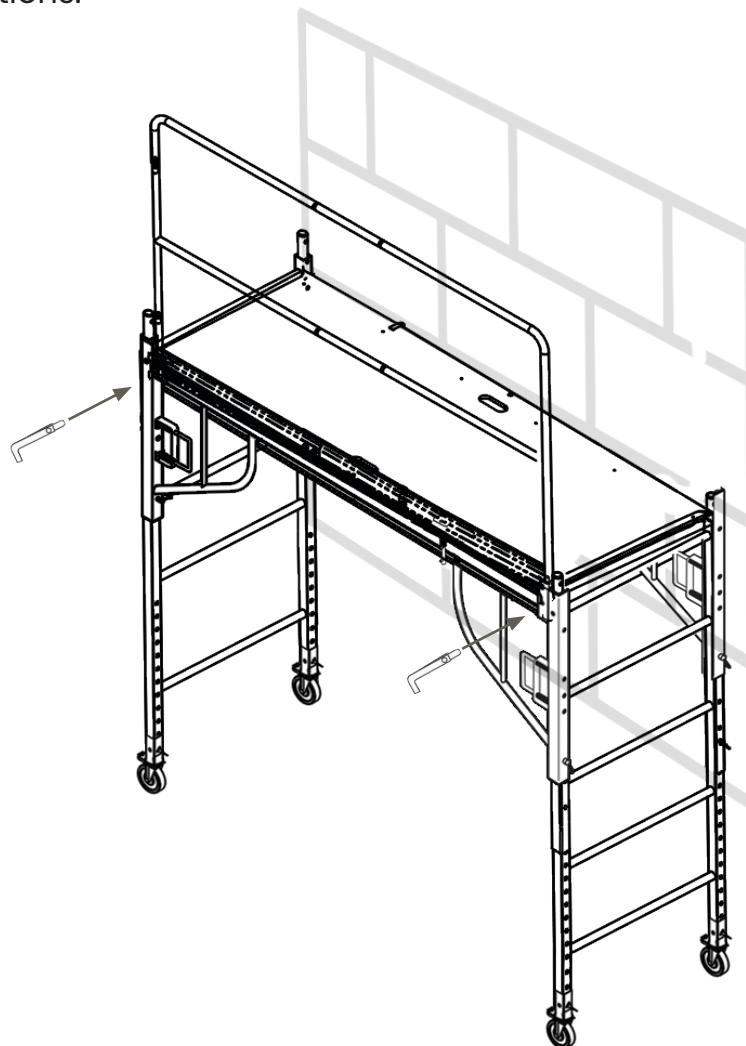


3-SIDED GUARD RAIL SETUP

- 1 Assemble and install side rail panel with hinges. Reference instructions 1-4 in the first portion of this manual.

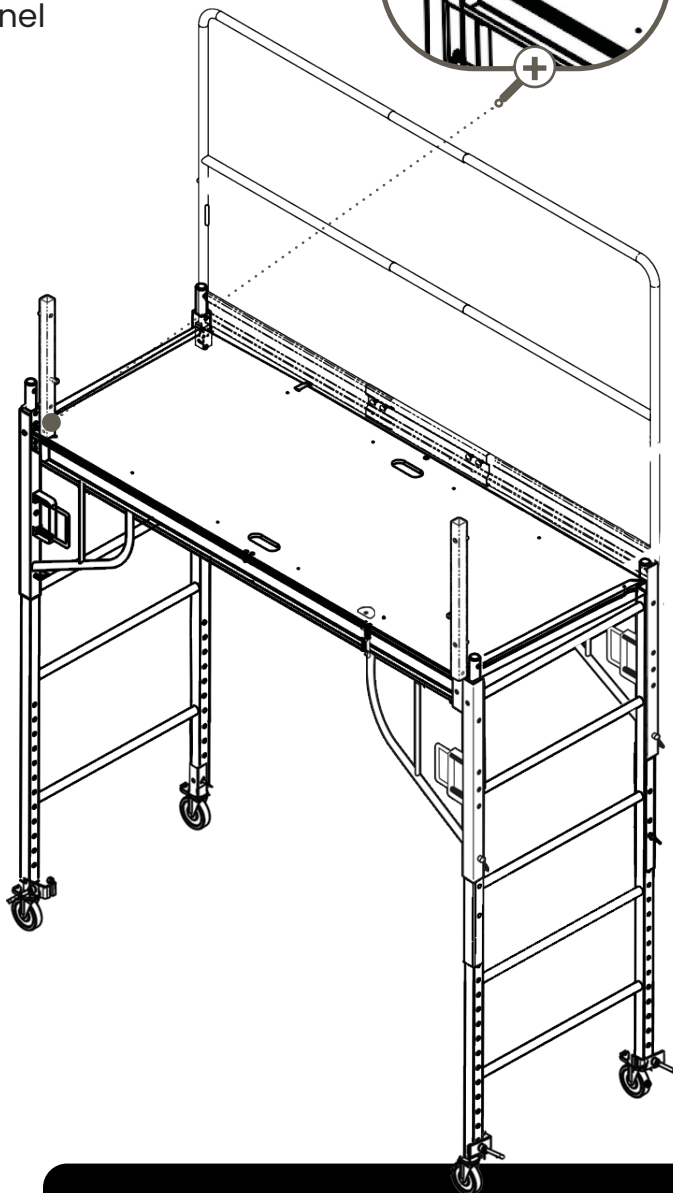
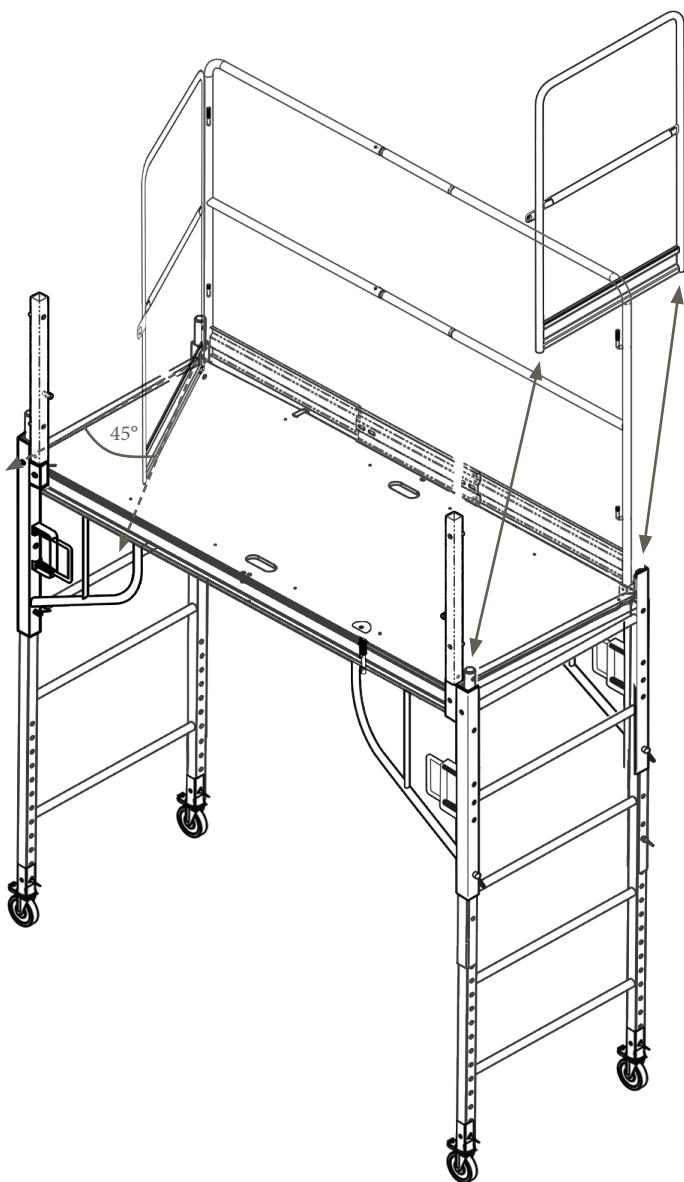
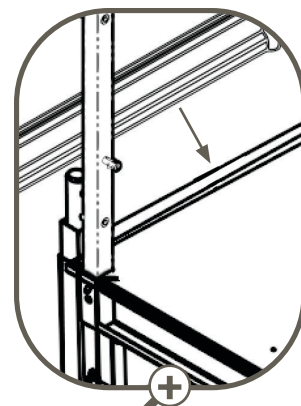


- 2 Install completed side rail panel with hinges, making certain hinges point inward towards the unit. Make sure to immediately secure panel with toggle pins as you make connections.



Assembly Instructions - 3 Sided Unit

- 3 Install Latch Posts at connection points opposite the guardrail panel with hinges, immediately secure with toggle pins. Install latches such that their studs are pointed at one another, inward toward the center of the platform.
- 4 Install end panels by sliding onto hinges and securing with nuts. Install end panels at a 45 degree angle directed toward the inside of the unit. Once hinges are fastened, close end panel and secure with latch.
- 5 Once guardrail system is installed and secured to multifunction unit, tighten fender screws at toe board connector to complete the guardrail system.



Customer Service:

.....
1 (866) 900-0983
customerservice@scaffoldmart.com
scaffoldmart.com