

# ***ULTRA-TOW***<sup>TM</sup>

## **Self-Locking Motorcycle Wheel Chock**

Owner's Manual



**⚠ WARNING:** Read carefully and understand all ASSEMBLY AND OPERATION INSTRUCTIONS before operating. Failure to follow the safety rules and other basic safety precautions may result in serious personal injury.

Item #58208

**READ & SAVE THESE INSTRUCTIONS**

Thank you very much for choosing an Ultra-Tow™ product!

For future reference, please complete the owner's record below:

Serial Number/Lot Date Code: \_\_\_\_\_

Purchase Date: \_\_\_\_\_

Save the receipt, warranty, and this manual. It is important that you read the entire manual to become familiar with this product before you begin using it.

This wheel chock is designed for certain applications only. Northern Tool and Equipment is not responsible for issues arising from modification or improper use of this product such as an application for which it was not designed. We strongly recommend that this product not be modified and/or used for any application other than that for which it was designed.

For technical questions, please call **1-800-222-5381**.

## Table of Contents

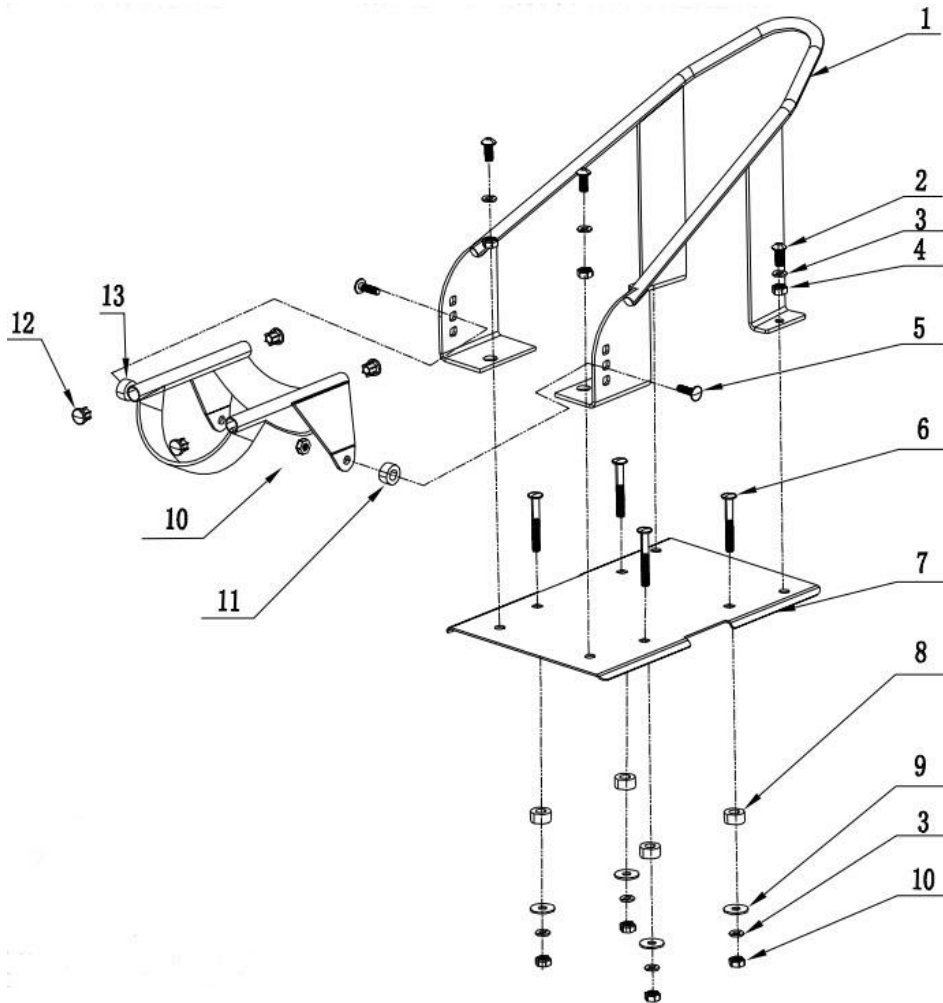
Intended Use.....	4
Packaging Contents.....	4
Technical Specifications .....	5
Important Safety Information .....	5
Specific Operation Warnings .....	6
Main Parts of Wheel Chock.....	6
Assembly Instructions.....	6
Before Each Use.....	7
Operating Instructions.....	7
After Each Use.....	7
Maintenance .....	8
Troubleshooting.....	8
Parts Diagram.....	9
Parts List.....	9
Replacement Parts .....	10
Limited Warranty.....	11

## Intended Use

The Ultra-Tow Self-Locking Motorcycle Wheel Chock fits most of the standard motorcycles currently on the market. It is designed to be mounted to a truck bed, trailer, or concrete floor.

## Packaging Contents

- Main Frame (1)
- Flat Washer (8)
- Base (1)
- Hex Nut (6)
- Pivoting Bracket (1)
- Hex Bolt (4)
- Pivot Bolt (2)
- Steel Sleeve (4)
- Nylon Washer (2)
- Spring Washer (8)
- Bolt (4)
- Large Washer (4)
- Rubber Cap (4)



## Technical Specifications

Item	Description
Construction	Steel Base Plate with Powder Coat Finish
Tire Size	17-21 Inches
Weight	13 lb.

## Important Safety Information

### **⚠️WARNING**

- Read and understand all instructions. Failure to follow all instructions may result in serious injury or property damage.
- The warnings, cautions, and instructions in this manual cannot cover all possible conditions or situations that could occur. Exercise common sense and caution when using this tool. Always be aware of the environment and ensure that the tool is used in a safe and responsible manner.
- Do not allow persons to operate or assemble the product until they have read this manual and have developed a thorough understanding of how it works.
- Do not modify this product in any way. Unauthorized modification may impair the function and/or safety and could affect the life of the product. There are specific applications for which the product was designed.
- Use the right tool for the job. DO NOT attempt to force small equipment to do the work of larger industrial equipment. There are certain applications for which this equipment was designed. This product will be safer and do a better job at the capacity for which it was intended. DO NOT use this equipment for a purpose for which it was not intended.
- Industrial or commercial applications must follow OSHA requirements.

### **⚠️WARNING**

#### **WORK AREA SAFETY**

- Inspect the work area before each use. Keep work area clean, dry, free of clutter, and well-lit. Cluttered, wet, or dark work areas can result in injury. Using the product in confined work areas may put you dangerously close to cutting tools and rotating parts.
- Keep children and bystanders away from the work area while operating the tool. Do not allow children to handle the product.

### **⚠️WARNING**

#### **PERSONAL SAFETY**

- Stay alert, watch what you are doing, and use common sense when operating the tool. Do not use the tool while you are tired or under the influence of drugs, alcohol, or medication. A moment of inattention while operating the tool may result in serious personal injury.
- Dress properly. Do not wear loose clothing, dangling objects, or jewelry. Keep your hair, clothing

and gloves away from moving parts. Loose clothes, jewelry, or long hair can be caught in moving parts. Air vents on the tool often cover moving parts and should be avoided.

- Wear the proper personal protective equipment when necessary. Use ANSI Z87.1 compliant safety goggles (not safety glasses) with side shields, or when needed, a face shield. Use a dust mask in dusty work conditions. Also use non-skid safety shoes, hardhat, gloves, dust collection systems, and hearing protection when appropriate. This applies to all persons in the work area.

### ⚠CAUTION

#### WHEEL CHOCK USE AND CARE

- Do not force the wheel chock. Products are safer and do a better job when used in the manner for which they are designed. Plan your work, and use the correct product for the job.
- Check for damaged parts before each use. Carefully check that the product will operate properly and perform its intended function. Replace damaged or worn parts immediately. Never operate the product with a damaged part.
- Use only accessories that are recommended by the manufacturer for use with your product. Accessories that may be suitable for one product may create a risk of injury when used with another tool. Never use an accessory that has a lower operating speed or operating pressure than the tool itself.

### Specific Operation Warnings

#### ⚠WARNING

- Mount the wheel chock to a hard, level surface that is capable of holding the weight of the motorcycle.
- Do not sit on the motorcycle when it is loaded in the wheel chock.

### Main Parts of Wheel Chock

Reference	Subassembly
1	Main Frame
2	Base
3	Washer
4	Bolt
5	Nut

### Assembly Instructions

#### ⚠WARNING

- The chock must be mounted to a solid surface capable of bearing heavy equipment. The location should have room to hold the chock and motorcycle with room remaining to maneuver the motorcycle.

The wheel chock comes fully assembled; however it must be mounted onto a solid surface to secure it. It is designed to be mounted on the bed of a truck, a motorcycle lift, or a concrete floor.

### Concrete Floor Mounting

Choose a location that is flat, level, and capable of bearing the combined weight of the wheel chock and the motorcycle. Make sure that the location is out of the way of obstructions and there is sufficient room to remove the motorcycle after it has been mounted. The mounting surface should be suitable for heavy equipment.

Use the mounting holes in the base of the wheel chock as a template. Arrange the base in the chosen location and, using a pencil, mark where the holes are to be drilled. You will need concrete anchors (not included) to secure the base to the concrete floor. Using the correct size concrete drill bit (not included), drill the mounting holes to secure the base. Attach the concrete anchors to the floor. Secure the base to the floor using the concrete anchors.

### Truck Bed or Motorcycle Lift Mounting

Place the base over the desired location in the truck bed or motorcycle lift. Use the base for a pattern and mark where you would like the holes to be drilled in order to mount the wheel chock. Use a drill (not included) and a steel cutting bit (not included) to drill the holes in the truck bed or motorcycle lift.

Attach the base to the truck bed utilizing the mounting bolts, nylon sleeves, large washers, and spring washers. Secure with hex nuts. See diagram and parts list.

## Before Each Use

### ⚠WARNING

- TO PREVENT SERIOUS INJURY FROM TOOL FAILURE: Do not use damaged equipment. If abnormal noise or vibration occurs, have the problem corrected before further use.

Inspect the general condition of the wheel chock. Check for loose screws, misalignment or binding of moving parts, cracked or broken parts, and any other condition that may affect its safe operation. Do not use damaged equipment.

Occasionally, wipe the wheel chock down with a soft cloth and a mild detergent.

## Operating Instructions

### ⚠WARNING

- Do not sit on the motorcycle when it is loaded in the wheel chock.

1. Select the correct mounting hole for the motorcycle being loaded into the wheel chock and use the pivot bolts to secure the pivoting bracket in place.
2. To load a motorcycle, lower the pivoting bracket to the horizontal position and simply push the motorcycle into the wheel chock.

## After Each Use

1. Wipe external surfaces of the tool with clean cloth.
2. The pivoting bracket will close on the motorcycle tire, securing the bike in an upright position.
3. For long-term storage, or if the wheel chock is mounted to a mobile platform, secure the motorcycle with belts or straps (not included).

## Maintenance

Maintain the product by adopting a program of conscientious repair and maintenance in accordance with the following recommended procedures. It is recommended that the general condition of any tool be examined before it is used. Keep your tool in good repair. Keep handles dry, clean, and free from oil and grease. The following chart is based on a normal operation schedule.

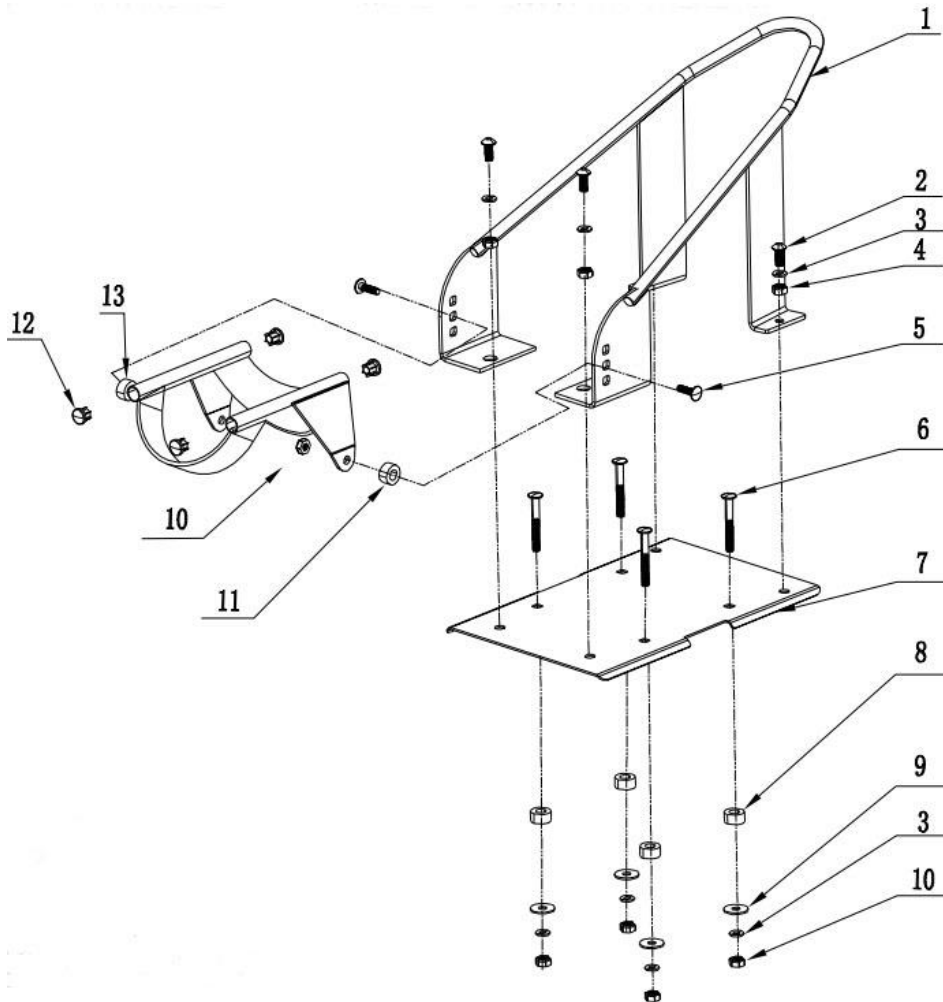
Maintenance Interval	Maintenance Point
Daily before operating	Check for loose screws, misalignment or binding of moving parts, cracked or broken parts; Wipe the wheel chock down with a soft cloth and mild detergent.
After the first 20 operating hours	Check for loose screws, misalignment or binding of moving parts, cracked or broken parts.  Check for any distortion.
After the first 50 operating hours or every week	Check for loose screws, misalignment or binding of moving parts, cracked or broken parts.  Check for any distortion.

## Troubleshooting

Use the table below to troubleshoot problems before contacting service personnel or your local dealer. If the problem continues after troubleshooting, call your local dealer for assistance.

Possible Cause	Corrective Action
Screw loose	Tighten the screw with correct screw driver
Wheel too big	Change the wheel cradle position to another hole

## Parts Diagram



## Parts List

Reference	Part Description	Quantity
1	Main frame	1
2	M10x20 bolt	4
3	Spring washer	8
4	Flat washer	4
5	Pivot bolt M10x30	2
6.	Bolt M10x70	4
7	Base	1
8	Steel sleeve	4
9	Large washer	4
10	Hex Nut M10	6
11	Nylon washer	2
12	Plastic cap	4
13	Pivoting bracket	1

## Replacement Parts

- For replacement parts and technical questions, please call Customer Service at **1-800-222-5381**.
- Not all product components are available for replacement. The illustrations provided are a convenient reference to the location and position of parts in the assembly sequence.
- When ordering parts, the following information will be required: item description, item model number, item serial number/item lot date code, and the replacement part reference number.
- The distributor reserves the rights to make design changes and improvements to product lines and manuals without notice.

## Limited Warranty

Northern Tool and Equipment Company, Inc. ("We" or "Us") warrants to the original purchaser only ("You" or "Your") that the Ultra-Tow product purchased will be free from material defects in both materials and workmanship, normal wear and tear excepted, for a period of **one year** from date of purchase. The foregoing warranty is valid only if the installation and use of the product is strictly in accordance with product instructions. There are no other warranties, express or implied, including the warranty of merchantability or fitness for a particular purpose. If the product does not comply with this limited warranty, Your sole and exclusive remedy is that We will, at our sole option and within a commercially reasonable time, either replace the product or product component without charge to You or refund the purchase price (less shipping). This limited warranty is not transferable.

### Limitations on the Warranty

This limited warranty does not cover: (a) normal wear and tear; (b) damage through abuse, neglect, misuse, or as a result of any accident or in any other manner; (c) damage from misapplication, overloading, or improper installation; (d) improper maintenance and repair; and (e) product alteration in any manner by anyone other than Us, with the sole exception of alterations made pursuant to product instructions and in a workmanlike manner.

### Obligations of Purchaser

You must retain Your product purchase receipt to verify date of purchase and that You are the original purchaser. To make a warranty claim, contact Us at 1-800-222-5381, identify the product by make and model number, and follow the claim instructions that will be provided. The product and the purchase receipt must be provided to Us in order to process Your warranty claim. Any returned product that is replaced or refunded by Us becomes our property. You will be responsible for return shipping costs or costs related to Your return visit to a retail store.

### Remedy Limits

Product replacement or a refund of the purchase price is Your sole remedy under this limited warranty or any other warranty related to the product. We shall not be liable for: service or labor charges or damage to Your property incurred in removing or replacing the product; any damages, including, without limitation, damages to tangible personal property or personal injury, related to Your improper use, installation, or maintenance of the product or product component; or any indirect, incidental or consequential damages of any kind for any reason.

### Assumption of Risk

You acknowledge and agree that any use of the product for any purpose other than the specified use(s) stated in the product instructions is at Your own risk.

### Governing Law

This limited warranty gives You specific legal rights, and You also may have other rights which vary from state to state. Some states do not allow limitations or exclusions on implied warranties or incidental or consequential damages, so the above limitations may not apply to You. This limited warranty is governed by the laws of the State of Minnesota, without regard to rules pertaining to conflicts of law. The state courts located in Dakota County, Minnesota shall have exclusive jurisdiction for any disputes relating to this warranty.

***ULTRA-TOW***<sup>TM</sup>

Distributed by:

Northern Tool & Equipment Company, Inc.

Burnsville, Minnesota 55306

[www.northerntool.com](http://www.northerntool.com)

Made in China