

BANNON

80In. High-Volume Ceiling Fan

Owner's Manual



! **WARNING:** Read carefully and understand all ASSEMBLY AND OPERATION INSTRUCTIONS before operating. Failure to follow the safety rules and other basic safety precautions may result in serious personal injury.

Item #57940

READ & SAVE THESE INSTRUCTIONS

Thank you very much for choosing a Bannon™ product!

For future reference, please complete the owner's record below:

Serial Number/Lot Date Code: _____

Purchase Date: _____

Save the receipt, warranty, and this manual. It is important that you read the entire manual to become familiar with this product before you begin using it.

This fan is designed for certain applications only. Northern Tool and Equipment is not responsible for issues arising from modification or improper use of this product such as an application for which it was not designed. We strongly recommend that this product not be modified and/or used for any application other than that for which it was designed.

For technical questions, please call **1-800-222-5381**.

Table of Contents

Intended Use.....4

Packaging Contents.....4

Technical Specifications4

Important Safety Information4

Specific Operation Warnings6

Assembly and Installation Instructions7

Before Each Use.....13

Operating Instructions.....13

After Each Use.....15

Maintenance15

Troubleshooting.....16

Parts Diagram17

Parts List17

Replacement Parts18

Limited Warranty19

Intended Use

The Bannon 80 Inch High-Volume Ceiling Fan is designed for large, high ceiling areas such as factories, barns, ranches, gyms, and warehouses. The low electric usage is perfect for continuous use.

Packaging Contents

- Motor (1)
- Blade Pack (6)
- Remote Control (1)
- Hanger Bracket & Canopy (1)
- Down rod (1)
- Hardware Packet (1)

Technical Specifications

Property	Specification
Motor	120 Volt / 60 Hz AC
Max Current Consumption	1.20 Amps
Watts	110

Important Safety Information

⚠WARNING

- Read and understand all instructions. Failure to follow all instructions may result in serious injury or property damage.
- The warnings, cautions, and instructions in this manual cannot cover all possible conditions or situations that could occur. Exercise common sense and caution when using this tool. Always be aware of the environment and ensure that the tool is used in a safe and responsible manner.
- DO NOT allow persons to operate or assemble this product until they have read this manual and have developed a thorough understanding of how the product works. Industrial or commercial applications must follow OSHA requirements.
- Do not modify this product in any way. Unauthorized modification may impair the function and/or safety and could affect the life of the product. There are specific applications for which the product was designed.
- Use the right tool for the job. DO NOT attempt to force small equipment to do the work of larger industrial equipment. There are certain applications for which this equipment was designed. This product will be safer and do a better job at the capacity for which it was intended. DO NOT use this equipment for a purpose for which it was not intended.
- Industrial or commercial applications must follow OSHA requirements.

⚠WARNING

WORK AREA SAFETY

- Inspect the work area before each use. Keep work area clean, dry, free of clutter, and well-lit.

Cluttered, wet, or dark work areas can result in injury. Using the product in confined work areas may put you dangerously close to cutting tools and rotating parts.

- Do not use the product where there is a risk of causing a fire or an explosion; e.g., in the presence of flammable liquids, gases, or dust. The product can create sparks, which may ignite the flammable liquids, gases, or dust.
- Do not allow the product to come into contact with an electrical source. The tool is not insulated and contact will cause electrical shock.
- Keep children and bystanders away from the work area while operating the tool. Do not allow children to handle the product.
- Be aware of all power lines, electrical circuits, water pipes, and other mechanical hazards in your work area. Some of these hazards may be hidden from your view and may cause personal injury and/or property damage if contacted.

⚠WARNING

PERSONAL SAFETY

- Stay alert, watch what you are doing, and use common sense when operating the tool. Do not use the tool while you are tired or under the influence of drugs, alcohol, or medication. A moment of inattention while operating the tool may result in serious personal injury.
- Dress properly. Do not wear loose clothing, dangling objects, or jewelry. Keep your hair, clothing and gloves away from moving parts. Loose clothes, jewelry, or long hair can be caught in moving parts. Air vents on the tool often cover moving parts and should be avoided.
- Wear the proper personal protective equipment when necessary. Use ANSI Z87.1 compliant safety goggles (not safety glasses) with side shields, or when needed, a face shield. Use a dust mask in dusty work conditions. Also use non-skid safety shoes, hardhat, gloves, dust collection systems, and hearing protection when appropriate. This applies to all persons in the work area.
- Do not overreach. Keep proper footing and balance at all times.

⚠CAUTION

FAN USE AND CARE

- Do not force the fan. Products are safer and do a better job when used in the manner for which they are designed. Plan your work, and use the correct product for the job.
- Check for damaged parts before each use. Carefully check that the product will operate properly and perform its intended function. Replace damaged or worn parts immediately. Never operate the product with a damaged part.
- Do not use a product with a malfunctioning switch. Any power tool that cannot be controlled with the power switch is dangerous and must be repaired by an authorized service representative before using.
- Disconnect the power/air supply from the product and place the switch in the locked or off position before making any adjustments, changing accessories, or storing the tool. Such preventive safety measures reduce the risk of starting the tool accidentally.

- Store the product when it is not in use. Store it in a dry, secure place out of the reach of children. Inspect the tool for good working condition prior to storage and before re-use.
- Use only accessories that are recommended by the manufacturer for use with your product. Accessories that may be suitable for one product may create a risk of injury when used with another tool. Never use an accessory that has a lower operating speed or operating pressure than the tool itself.
- Keep guards in place and in working order. Never operate the product without the guards in place.

Specific Operation Warnings

⚠️ WARNING

- To reduce the risk of injury to persons, the fan must be installed so that the blades are a height greater than 3 meters (10 feet) above the floor.
- To reduce the risk of electric shock, or personal injury, mount to outlet box marked “acceptable for fan support of 22.7 Kg (50 lb.) or less” and use mounting screws provide with the outlet box and/or support directly from building structure. Most outlet boxes commonly used for the support of lighting fixtures are not acceptable for fan support and may need to be replaced. Consult a qualified electrician if in doubt.
- To reduce the risk of fire or electrical shock, this fan should only be used with fan speed control part #: BF-5, manufactured by: Zhongshan Hongwei MotorManufacturing Co.,Ltd.
- To reduce the risk of fire or electrical shock, do not expose fan to water or rain.
- Do not use fan near windows; rain and moisture may create an electrical hazard.
- Do not alter fan’s assembly.
- Automatically operated device — to reduce risk of injury, disconnect from power supply before servicing.
- Installation work and electrical wiring must be done by a qualified electrician in accordance with all applicable codes and standards (ANSI/NFPA 70-1996) including fire-rated construction.
- Before you begin installing the fan, switch power off at the service panel and lock service disconnecting means prevent power from switched on accidently. When the service disconnecting means cannot be locked, securely fasten a prominent warning device, such as a tag to the service panel.
- If the power supply cord is damaged, contact your local service center or a qualified electrician to install an appropriate replacement cord to prevent any injury or damage.
- The appliance should not be used in locations where special conditions prevail such as the presence of a corrosive or explosive atmosphere (dust, vapor, gas).
- After making wire connection, gently push connections into the outlet box with wire nuts pointing up. The wires should be spread apart with the grounded conductor and the equipment grounding conductor on one side of the outlet box and the ungrounded conductor on the other side of the outlet box.
- When cutting or drilling in the ceiling or wall, do not damage electrical wiring and other hidden utilities.

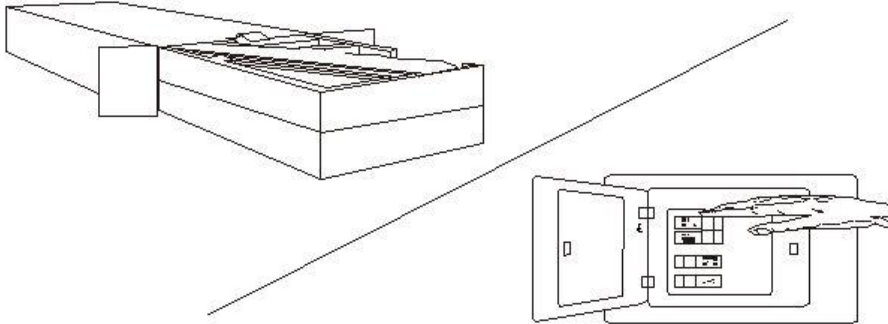
- To reduce the risk of injury, do not bend blade holders during installation to motor, balancing or during cleaning. Do not insert foreign object between rotating blades.
- Attach the mounting bracket using only the hardware supplied with the outlet box. Fan is only to be mounted to an outlet box marked "Acceptable for Fan Support".
- When moving or cleaning fan, turn off power at service panel and lock service disconnecting means to prevent power being turned on accidentally. When the service connecting means cannot be locked, securely fasten a prominent warning device, such as a tag to the service panel.
- All set screws must be checked and re-lightened where necessary before installation.
- Do not place the fan near an open flame, cooking or heating appliance, or hot surface.
- This fan should NOT be operated outside.

Assembly and Installation Instructions

⚠WARNING

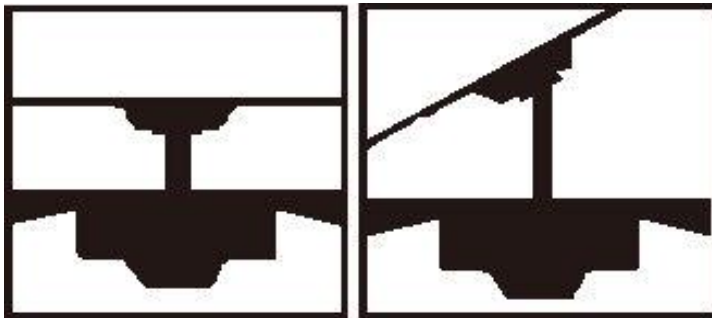
- To reduce the risk of injury to persons, the fan must be installed so that the blades are a height greater than 3 meters (10 feet) above the floor.
- To reduce the risk of electric shock, or personal injury, mount to outlet box marked "acceptable for fan support of 22.7 Kg (50 lb.) or less" and use mounting screws provide with the outlet box and/or support directly from building structure. Most outlet boxes commonly used for the support of lighting fixtures are not acceptable for fan support and may need to be replaced. Consult a qualified electrician if in doubt.
- To reduce the risk of fire or electrical shock, this fan should only be used with fan speed control part #: BF-5, manufactured by: Zhongshan Hongwei MotorManufacturing Co.,Ltd.
- Installation work and electrical wiring must be done by a qualified electrician in accordance with all applicable codes and standards (ANSI/NFPA 70-1996) including fire-rated construction.
- Before you begin installing the fan, switch power off at the service panel and lock service disconnecting means prevent power from switched on accidentally. When the service disconnecting means cannot be locked, securely fasten a prominent warning device, such as a tag to the service panel.
- If the power supply cord is damaged, contact your local service center or a qualified electrician to install an appropriate replacement cord to prevent any injury or damage.
- When cutting or drilling in the ceiling or wall, do not damage electrical wiring and other hidden utilities.
- To reduce the risk of injury, do not bend blade holders during installation to motor, balancing or during cleaning. Do not insert foreign object between rotating blades.
- Attach the mounting bracket using only the hardware supplied with the outlet box. Fan is only to be mounted to an outlet box marked "Acceptable for Fan Support".
- All set screws must be checked and re-lightened where necessary before installation.

PREPARING FOR INSTALLATION



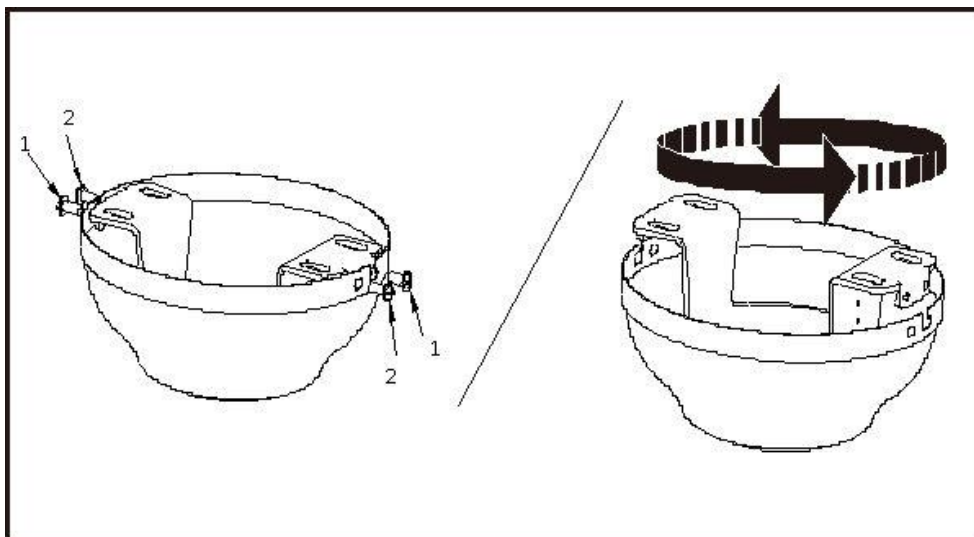
- Unpack and inspect fan carefully to be certain all contents are included. Turn off power at fuse box to avoid possible electrical shock.

DOWNROD INSTALLATION VAULTED CEILING INSTALLATION

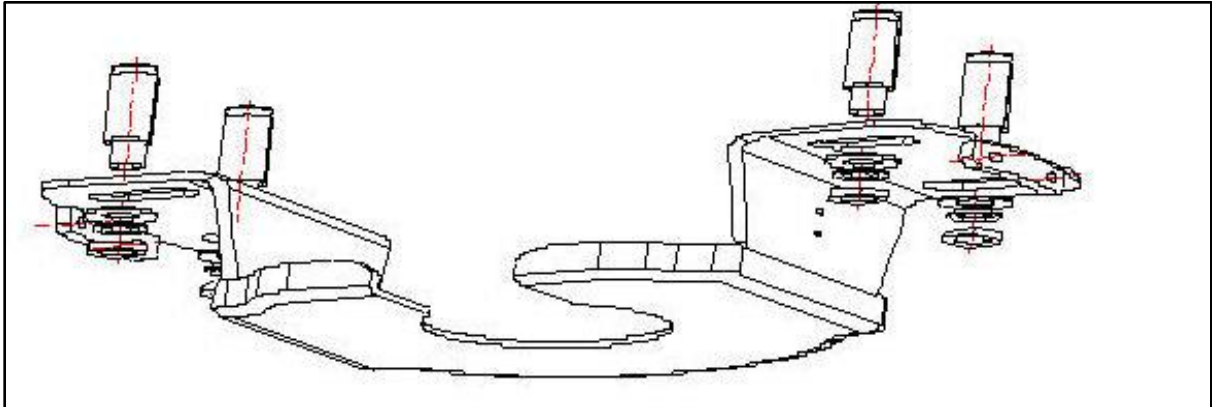


Note: May require a longer downrod for high vaulted ceilings (sold separately).

MOUNTING BRACKET INSTALLATION

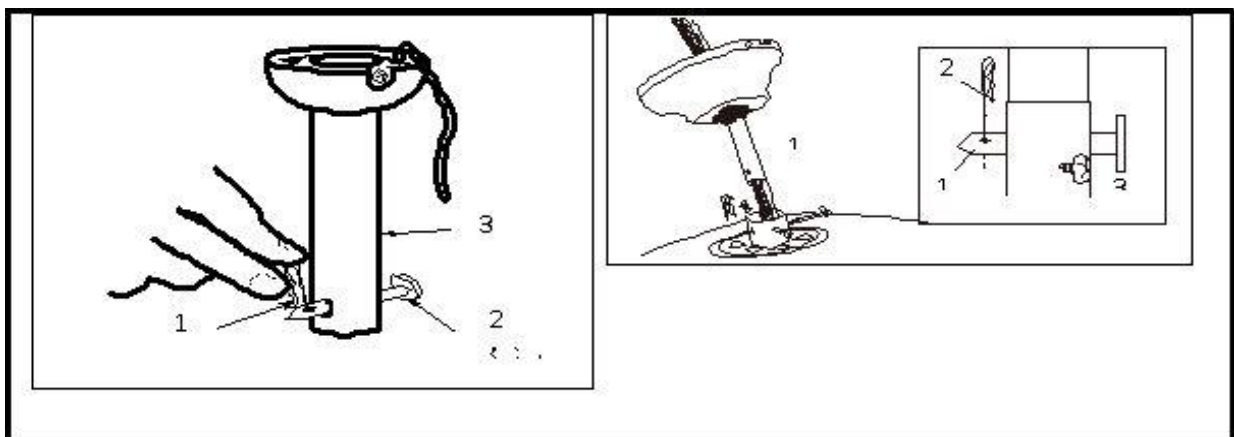


- Remove the screws from the two matching holes (1) on canopy. Loosen (do not remove) the screws in the matching slots (2) on the canopy. Rotate the mounting bracket and remove from the canopy.



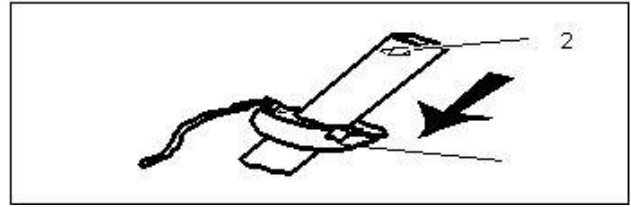
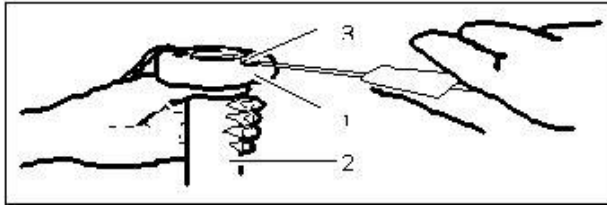
- Install mounting bracket to the outlet box in the ceiling using the screws and the washers provided with YOUR outlet box.

DOWNROD ASSEMBLY (included)



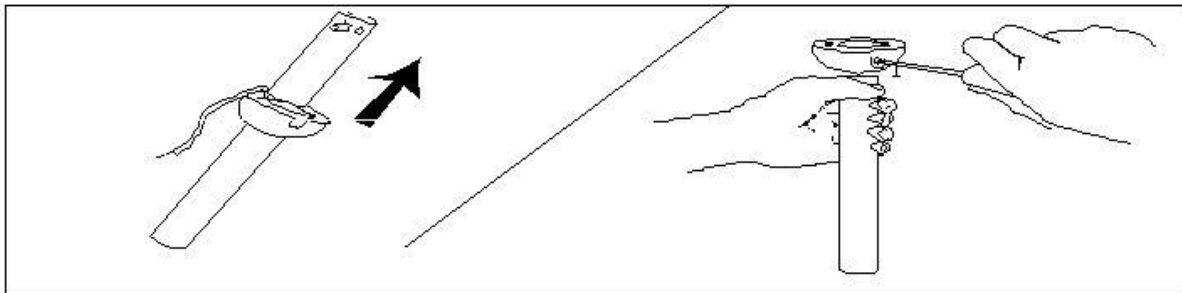
- Remove clamp pin (1) and cross pin (2) from down rod (3).
- Feed motor lead wires through downrod/canopy assembly and insert downrod into downrod yoke.
- Make sure to align hole in downrod with the hole in the yoke.
- Install yoke cross pin (1) through yoke and downrod.
- Insert clamp pin (2) into cross pin until it snaps securely into place.
- Tighten set screws (3) in yoke.

USING EXTENDED DOWNROD (not included)



- Loosen the downrod ball (1) from the downrod (2) by removing the screw (3).
- Slide downrod ball (1) off of downrod and remove pin (2).

DOWNROD PREPARATION

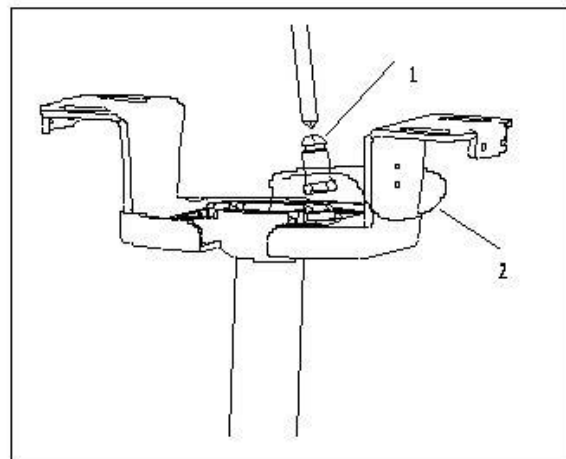
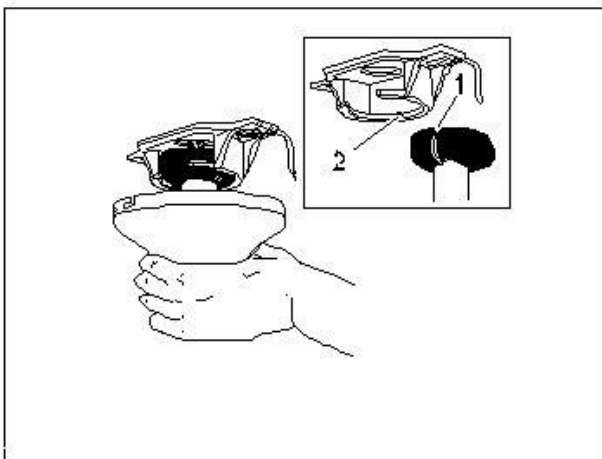


- Re-install pin into downrod.
- Slide the downrod ball up to the top of the downrod.
- Re-install the screw to secure ball to downrod.

Note: Some extended downrods have a pre-drilled set-screw hole. If a pre-drilled hole is present in the extended downrod, tighten the set screw into the pre-drilled hole in the extended downrod.

- Tighten the screw against the downrod to secure the downrod ball.

HANGING ASSEMBLY

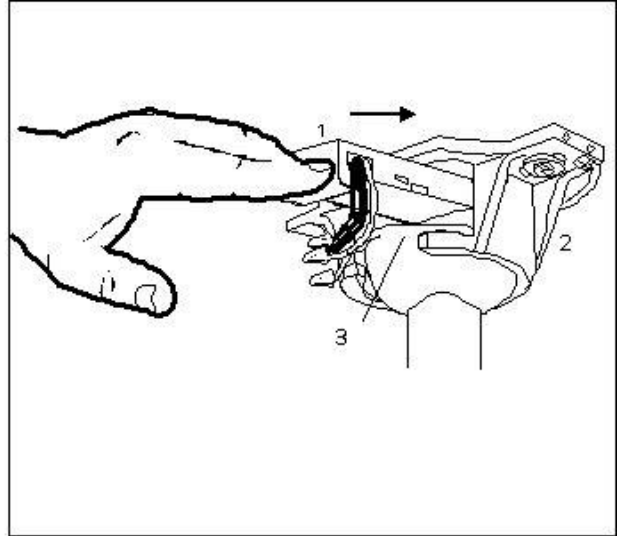
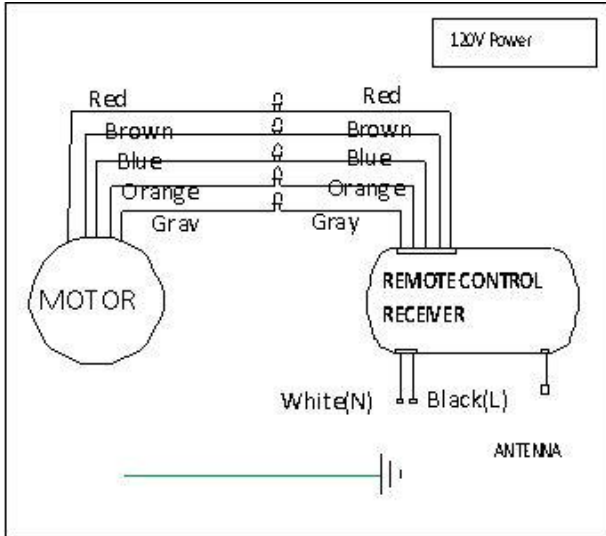


- Carefully lift fan assembly onto mounting bracket.
- Rotate fan until notch on downrod ball (1) engages the ridge of the mounting bracket (2). This

will allow for hands-free wiring.

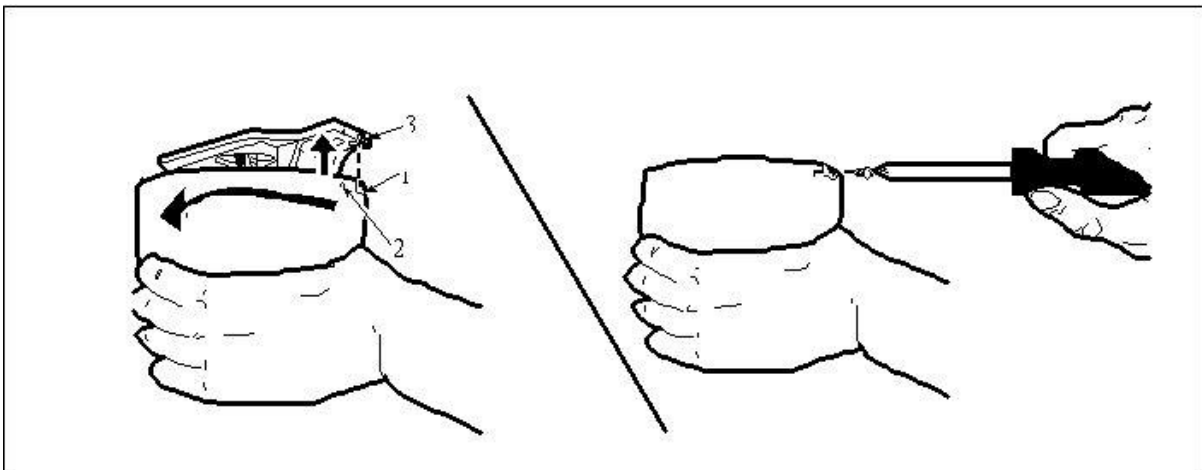
- Securely tighten safety wire (1) to hanger bracket (2).

WIRING DIAGRAM



- Create a wiring connection from the housing and the motor to the remote receiver as shown above.
- Connect using wire nuts (provided).
- Once wiring step has been completed, slide the wired remote receiver (1) in between the mounting bracket (2) and the top of the down rod ball (3) for the down rod fans.

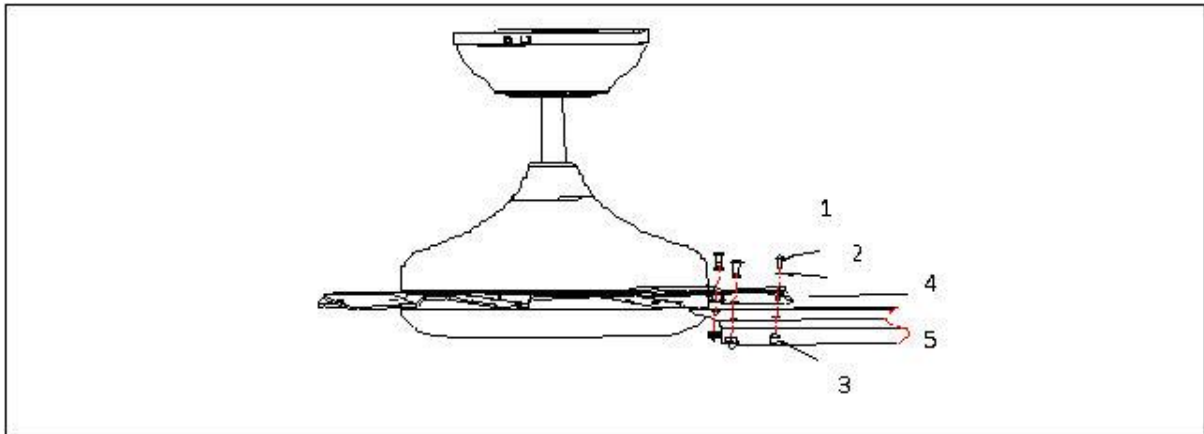
SECURING CANOPY



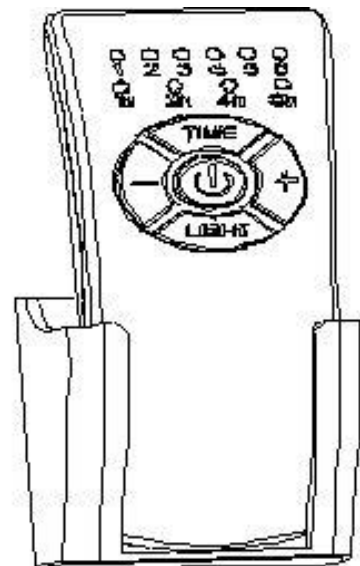
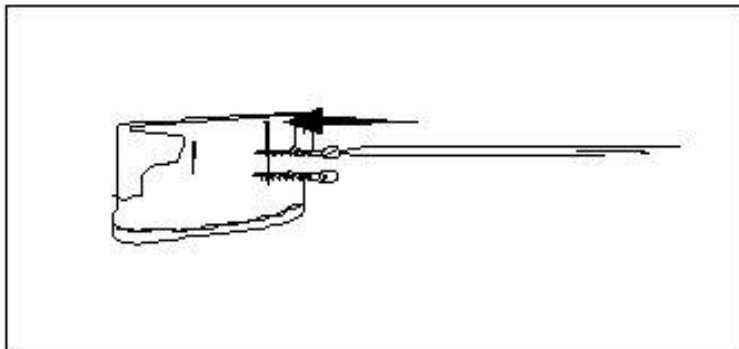
- After wiring, slide the canopy up to the mounting bracket.
- The canopy has two mating slots (1) and two mating holes (2).
- Lift the canopy allowing the two screws to slide into the mating slots.
- Rotate the canopy until both screws from the mounting bracket drop into the slot recesses.
- Tighten the screws securely.
- Install the two screws into the mating holes of the canopy and tighten to secure the canopy to the

mounting bracket.

ATTACHING BLADES TO FAN



- Insert the blades (5) through the slots on the motor housing as shown.
- Use the provided screws (1), washers (2), and bolts (3) to tighten the blades to the pre-attached blade brackets (4).



- Mount the transmitter holder onto the wall using the screws provided.
- Place the transmitter into the holder.

Before Each Use

⚠WARNING

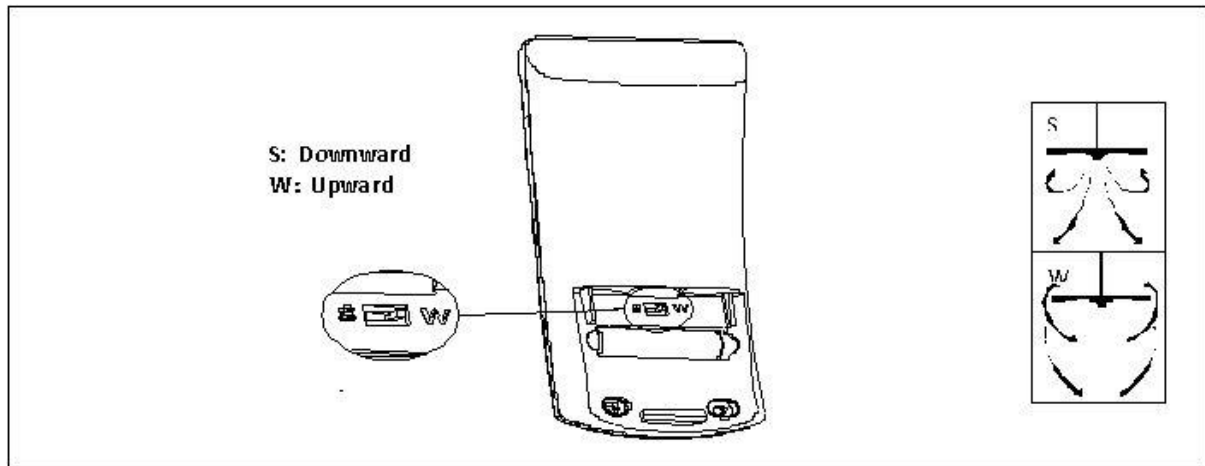
- Be sure there aren't any obstructions in the fan's path of operation.
- Check that the batteries are in good condition in the remote control transmitter.

Operating Instructions

⚠WARNING

- To reduce the risk of electric shock, or personal injury, mount to outlet box marked "acceptable for fan support of 22.7 Kg (50 lb.) or less" and use mounting screws provide with the outlet box and/or support directly from building structure. Most outlet boxes commonly used for the support of lighting fixtures are not acceptable for fan support and may need to be replaced. Consult a qualified electrician if in doubt.
- To reduce the risk of fire or electrical shock, this fan should only be used with fan speed control part #: BF-5, manufactured by: Zhongshan Hongwei MotorManufacturing Co.,Ltd.
- To reduce the risk of fire or electrical shock, do not expose fan to water or rain.
- Do not use fan near windows; rain and moisture may create an electrical hazard.
- Automatically operated device — to reduce risk of injury, disconnect from power supply before servicing.
- If the power supply cord is damaged, contact your local service center or a qualified electrician to install an appropriate replacement cord to prevent any injury or damage.
- The appliance should not be used in locations where special conditions prevail such as the presence of a corrosive or explosive atmosphere (dust, vapor, gas).
- To reduce the risk of injury, do not bend blade holders during installation to motor, balancing or during cleaning. Do not insert foreign object between rotating blades.
- When moving or cleaning fan, turn off power at service panel and lock service disconnecting means to prevent power being turned on accidently. When the service connecting means cannot be locked, securely fasten a prominent warning device, such as a tag to the service panel.
- This fan should NOT be operated outside.

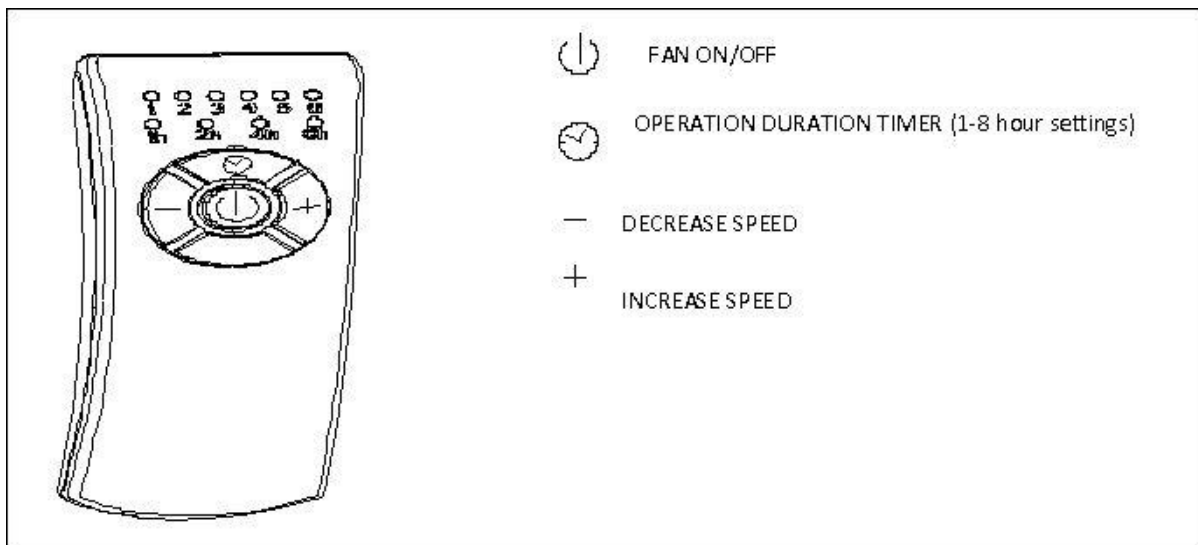
SETTING FAN AIR FLOW



Note: Be sure the slide switch is pushed firmly to one side or the other. The fan will not operate with the slide switch in the middle.

- To reverse the direction of the blades, slide the reverse switch (located on the top of the motor housing) to the opposite side.

REMOTE CONTROL FAN OPERATION



- Turn on the power and check the operation of the fan.
- The Remote Control Transmitter controls the fan's speeds: the lowest speed to the highest speed and OFF. The slide switch controls the fan's air direction flow: downward or upward.
- WARM WEATHER: (downward) Fan turns in a counter-clockwise direction. A downward air flow creates a cooling effect (S).
- COOL WEATHER: (upward) Fan turns in a clockwise direction. An upward air flow moves warm air off the ceiling area and down into the room environment (W).

NOTE: Turn off and wait for the fan to come to a stop before changing the setting of the downward/upward slide switch.

CONTROLLING MORE THAN ONE FAN WITH REMOTE CONTROL

- The remote control transmitter and receiver are matched at the factory.

During the matching process, the same remote control transmitter can control another identical model ceiling fan.

- 1) Press the TIME key & “+” key simultaneously.
- 2) The ceiling fan will create a *T/C* sound twice. After receiving that, the fan will recognize this remote control and you can:
 - a. Control this fan with that remote control.
 - b. You can match two ceiling fans with one remote control transmitter using the process above.

NOTE: To control two fans simultaneously, the installation distance between the two fans must not exceed 30 feet.

After Each Use

⚠WARNING

- Be sure fan is not making unusual sounds or movements.
- Be sure fan is switched off when unattended.

Maintenance

⚠WARNING

- Be sure not to loosen any of the fan’s connections while maintaining your fan.
- TURN OFF FAN AND BREAKER AT ELECTRICAL SUPPLY BEFORE CLEANING.
- Do not bend blades during cleaning.
- If the power supply cord is damaged, contact your local service center or a qualified electrician to install an appropriate replacement cord to prevent any injury or damage.
- When moving or cleaning fan, turn off power at service panel and lock service disconnecting means to prevent power being turned on accidentally. When the service connecting means cannot be locked, securely fasten a prominent warning device, such as a tag to the service panel.
- Do not use cleaners that harm paints or plastics; i.e., bleach or ammonia.

Maintain the product by adopting a program of conscientious repair and maintenance in accordance

Maintain your fan. It is recommended that the general condition of any fan be examined before it is used. Keep your fan in good repair by adopting a program of conscientious repair and maintenance. Have necessary repairs made by qualified service personnel.

- Because of the fan’s natural movement, some connections may become loose. Check the support connections, brackets, and blade attachments twice a year. Make sure they are secure.
- There is no need to oil your fan. The motor has permanently lubricated bearings.

Use a soft, damp cloth (water only) for cleaning, then wipe with dry cloth.

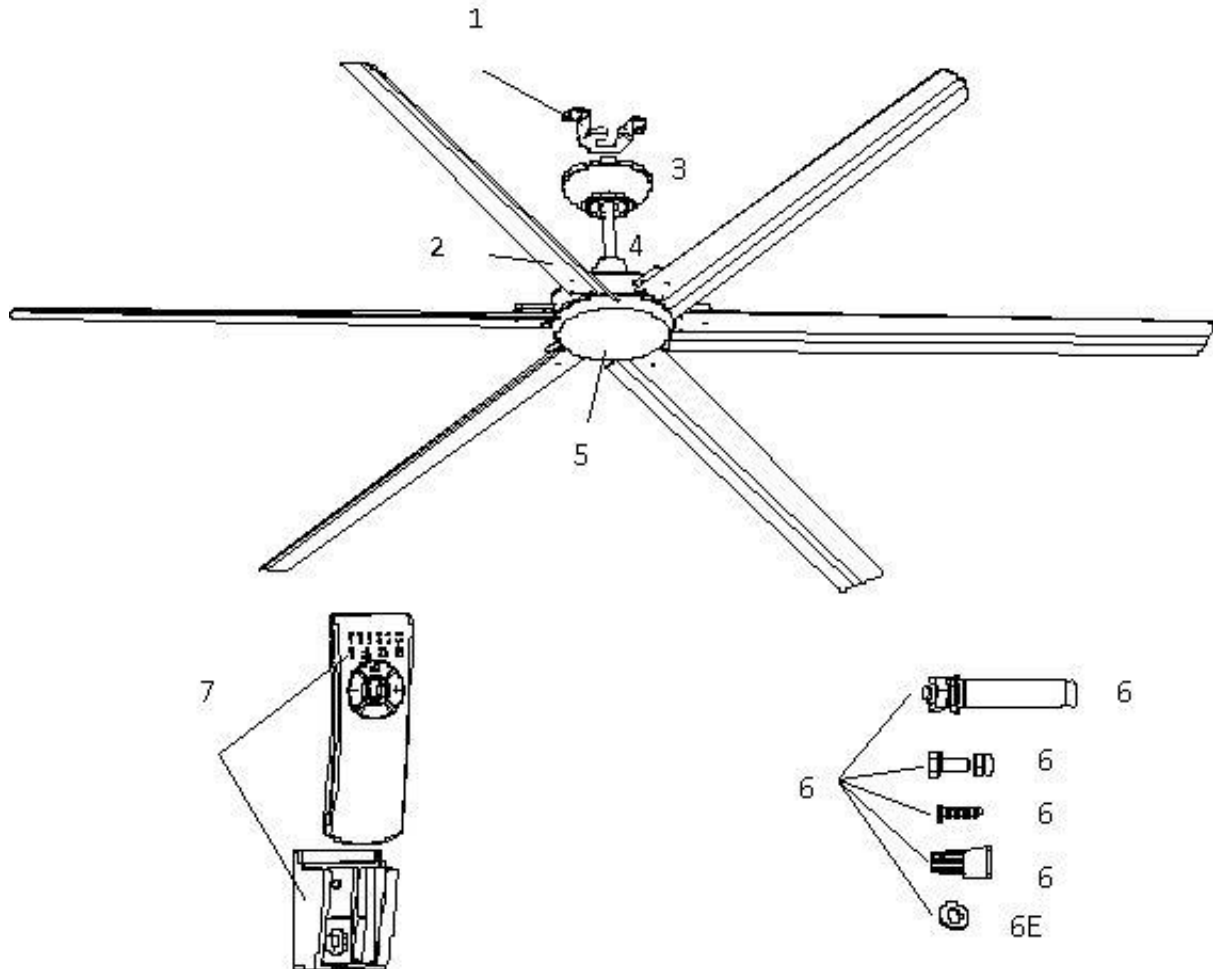
Troubleshooting

⚠WARNING

TURN OFF FAN AND BREAKER AT ELECTRICAL SUPPLY BEFORE ATTEMPTING TO DO ANY ADJUSTMENT TO THE FAN.

Failure	Possible Cause	Corrective Action
IF FAN WOBBLER IN MOTION	<ol style="list-style-type: none"> 1. Blades not secured or balanced 2. Be sure ball-to-hanger bracket is locked in place 	<p>UNPLUG from power source.</p> <ol style="list-style-type: none"> 1a. Check and re-secure screws that connect the blades to the motor. 1b. Interchange two adjacent (side by side) blades can redistribute the weight and possibly retain smoother operation. 2. Remove Canopy and adjust ball in hanger bracket
IF FAN DOES NOT START	Not connected or no power supply	<ol style="list-style-type: none"> 1. Check main and branch fuses or circuit breakers. 2. Check wire connections as performed in step 8 or 13 of installation. Make sure main power is turned off. 3. If the fan still will not start, contact a qualified electrician. 4. Do not attempt to troubleshoot internal electrical connections yourself.
IF FAN MAKES EXCESSIVE NOISE	Mechanical or electrical interference	<ol style="list-style-type: none"> 1. Check to make sure all screws in motor housing are snug 2. Check to make sure screws which attach fan blades to the motor are tight. 3. Some fans are sensitive to signals from Solid State variable speed controls. <p>DO NOT USE a Solid State variable speed control.</p>

Parts Diagram



Parts List

Reference	Part Description	Quantity
1	MOUNTING BRACKET	1
2	BLADES	6
3	CANOPY	1
4	DOWNROD	1
5	FAN MOTOR	4
6	HARDWARE PACK	1
6A	MOUNTING SCREW AND NUT	4
6B	BLADE SCREWS AND NUTS	18
6C	SCREW	2
6D	WIRE NUTS	8
6E	BLADE SCREW WASHERS	18
7	REMOTE CONTROL WITH WALL BRACKET	1

Replacement Parts

- For replacement parts and technical questions, please call Customer Service at **1-800-222-5381**.
- Not all product components are available for replacement. The illustrations provided are a convenient reference to the location and position of parts in the assembly sequence.
- When ordering parts, the following information will be required: item description, item model number, item serial number/item lot date code, and the replacement part reference number.
- The distributor reserves the rights to make design changes and improvements to product lines and manuals without notice.

Limited Warranty

Northern Tool and Equipment Company, Inc. ("We" or "Us") warrants to the original purchaser only ("You" or "Your") that the Bannon product purchased will be free from material defects in both materials and workmanship, normal wear and tear excepted, for a period of **two years** from date of purchase. The foregoing warranty is valid only if the installation and use of the product is strictly in accordance with product instructions. There are no other warranties, express or implied, including the warranty of merchantability or fitness for a particular purpose. If the product does not comply with this limited warranty, Your sole and exclusive remedy is that We will, at our sole option and within a commercially reasonable time, either replace the product or product component without charge to You or refund the purchase price (less shipping). This limited warranty is not transferable.

Limitations on the Warranty

This limited warranty does not cover: (a) normal wear and tear; (b) damage through abuse, neglect, misuse, or as a result of any accident or in any other manner; (c) damage from misapplication, overloading, or improper installation; (d) improper maintenance and repair; and (e) product alteration in any manner by anyone other than Us, with the sole exception of alterations made pursuant to product instructions and in a workmanlike manner.

Obligations of Purchaser

You must retain Your product purchase receipt to verify date of purchase and that You are the original purchaser. To make a warranty claim, contact Us at 1-800-222-5381, identify the product by make and model number, and follow the claim instructions that will be provided. The product and the purchase receipt must be provided to Us in order to process Your warranty claim. Any returned product that is replaced or refunded by Us becomes our property. You will be responsible for return shipping costs or costs related to Your return visit to a retail store.

Remedy Limits

Product replacement or a refund of the purchase price is Your sole remedy under this limited warranty or any other warranty related to the product. We shall not be liable for: service or labor charges or damage to Your property incurred in removing or replacing the product; any damages, including, without limitation, damages to tangible personal property or personal injury, related to Your improper use, installation, or maintenance of the product or product component; or any indirect, incidental or consequential damages of any kind for any reason.

Assumption of Risk

You acknowledge and agree that any use of the product for any purpose other than the specified use(s) stated in the product instructions is at Your own risk.

Governing Law

This limited warranty gives You specific legal rights, and You also may have other rights which vary from state to state. Some states do not allow limitations or exclusions on implied warranties or incidental or consequential damages, so the above limitations may not apply to You. This limited warranty is governed by the laws of the State of Minnesota, without regard to rules pertaining to conflicts of law. The state courts located in Dakota County, Minnesota shall have exclusive jurisdiction for any disputes relating to this warranty.

BANNON

Distributed by:

Northern Tool & Equipment Company, Inc.

Burnsville, Minnesota 55306

www.northerntool.com

Made in China