



14-In. Oscillating Wall-Mount Fan

Owner's Manual



⚠ WARNING: Read carefully and understand all ASSEMBLY AND OPERATION INSTRUCTIONS before operating. Failure to follow the safety rules and other basic safety precautions may result in serious personal injury.

Item #57933

READ & SAVE THESE INSTRUCTIONS

Thank you very much for choosing an Ironton™ product!

For future reference, please complete the owner's record below:

Serial Number/Lot Date Code: _____

Purchase Date: _____

Save the receipt, warranty, and this manual. It is important that you read the entire manual to become familiar with this product before you begin using it.

This fan is designed for certain applications only. Northern Tool and Equipment is not responsible for issues arising from modification or improper use of this product such as an application for which it was not designed. We strongly recommend that this product not be modified and/or used for any application other than that for which it was designed.

For technical questions, please call **1-800-222-5381**.

Table of Contents

Intended Use.....	4
Packaging Contents.....	4
Technical Specification	4
Important Safety Information	4
Specific Operation Warnings	6
Grounding	7
Extension Cords.....	7
Assembly Instructions.....	8
Operating Instructions.....	12
Maintenance	13
Troubleshooting.....	14
Parts Diagram	15
Parts List	15
Replacement Parts	16
Limited Warranty	17

Intended Use

The Ironton 14 Inch Oscillating Wall-Mount Fan can be used for cooling or to circulate air indoors or in a garage setting. When in operation, the fan has to be mounted to a wall.

Packaging Contents

- Main body (1)
- Front grill (1)
- Rear grill (1)
- Propeller (1)

Technical Specification

Property	Specification
Motor	120 Volt AC; 60Hz
Max Current Consumption	0.45 Amps
Max Working Power	50 Watts
Max Velocity	1500 RPM
Max. Air Flow	2200 CFM

Important Safety Information

⚠WARNING

- Read and understand all instructions. Failure to follow all instructions may result in serious injury or property damage.
- The warnings, cautions, and instructions in this manual cannot cover all possible conditions or situations that could occur. Exercise common sense and caution when using this tool. Always be aware of the environment and ensure that the tool is used in a safe and responsible manner.
- Do not allow persons to operate or assemble the product until they have read this manual and have developed a thorough understanding of how it works.
- Do not modify this product in any way. Unauthorized modification may impair the function and/or safety and could affect the life of the product. There are specific applications for which the product was designed.
- Use the right tool for the job. DO NOT attempt to force small equipment to do the work of larger industrial equipment. There are certain applications for which this equipment was designed. This product will be safer and do a better job at the capacity for which it was intended. DO NOT use this equipment for a purpose for which it was not intended.
- Industrial or commercial applications must follow OSHA requirements.

⚠WARNING

WORK AREA SAFETY

- Inspect the work area before each use. Keep work area clean, dry, free of clutter, and well-lit.

Cluttered, wet, or dark work areas can result in injury. Using the product in confined work areas may put you dangerously close to cutting tools and rotating parts.

- Do not use the product where there is a risk of causing a fire or an explosion; e.g., in the presence of flammable liquids, gases, or dust. The product can create sparks, which may ignite the flammable liquids, gases, or dust.
- Do not allow the product to come into contact with an electrical source. The tool is not insulated and contact will cause electrical shock.
- Keep children and bystanders away from the work area while operating the tool. Do not allow children to handle the product.
- Be aware of all power lines, electrical circuits, water pipes, and other mechanical hazards in your work area. Some of these hazards may be hidden from your view and may cause personal injury and/or property damage if contacted.

⚠WARNING

PERSONAL SAFETY

- Stay alert, watch what you are doing, and use common sense when operating the tool. Do not use the tool while you are tired or under the influence of drugs, alcohol, or medication. A moment of inattention while operating the tool may result in serious personal injury.
- Dress properly. Do not wear loose clothing, dangling objects, or jewelry. Keep your hair, clothing and gloves away from moving parts. Loose clothes, jewelry, or long hair can be caught in moving parts. Air vents on the tool often cover moving parts and should be avoided.
- Wear the proper personal protective equipment when necessary. Use ANSI Z87.1 compliant safety goggles (not safety glasses) with side shields, or when needed, a face shield. Use a dust mask in dusty work conditions. Also use non-skid safety shoes, hardhat, gloves, dust collection systems, and hearing protection when appropriate. This applies to all persons in the work area.
- Do not overreach. Keep proper footing and balance at all times.

⚠CAUTION

FAN USE AND CARE

- Do not force the fan. Products are safer and do a better job when used in the manner for which they are designed. Plan your work, and use the correct product for the job.
- Check for damaged parts before each use. Carefully check that the product will operate properly and perform its intended function. Replace damaged or worn parts immediately. Never operate the product with a damaged part.
- Do not use a product with a malfunctioning switch. Any power tool that cannot be controlled with the power switch is dangerous and must be repaired by an authorized service representative before using.
- Disconnect the power/air supply from the product and place the switch in the locked or off position before making any adjustments, changing accessories, or storing the tool. Such preventive safety measures reduce the risk of starting the tool accidentally.

- Store the product when it is not in use. Store it in a dry, secure place out of the reach of children. Inspect the tool for good working condition prior to storage and before re-use.
- Use only accessories that are recommended by the manufacturer for use with your product. Accessories that may be suitable for one product may create a risk of injury when used with another tool. Never use an accessory that has a lower operating speed or operating pressure than the tool itself.
- Keep guards in place and in working order. Never operate the product without the guards in place.
- Do not leave the tool running unattended.

Specific Operation Warnings

⚠WARNING

- To prevent serious injury or property damage, read and understand owner's manual before operating.
- Electric shock hazard. Do not expose the unit or the plug to water or rain. Do not use the fan near a water source such as a swimming pool, bathtub, or shower.
- Be sure the fan is properly grounded.
- Do not use this fan with any solid state speed control device.
- Only plug the unit into a power outlet with the same voltage as rated voltage of it.
- Rotating blade hazard. Keep hands clear to avoid serious injury.
- Do not operate in the presence of explosive and/or flammable fumes.
- Always disconnect the power before servicing and cleaning or moving the fan to a new location.
- Do not plug/unplug the fan into/from the electrical outlet while wet or standing in a wet or damp area.
- Never operate the fan without the guard in place.
- For indoor use only. Do not use outdoors. Do not place the fan in or near a window. Rain may create an electrical hazard.
- This product employs overload protection (fuse). A blown fuse indicates an overload or short-circuit situation. If the fuse blows, unplug the product from the outlet. Replace the fuse as per the user servicing instructions (follow product marking for proper fuse rating) and check the product. If the replacement fuse blows, a short-circuit may be present and the product should be discarded or returned to an authorized service facility for examination and/or repair.
- Do not operate any fan with a damaged cord or plug. Discard fan or return to an authorized service facility for repair before resuming operation.
- Do not run cord under carpeting. Do not cover cord with throw rugs, runners, or similar coverings.
- Do not place cord under furniture or appliances. Arrange cord away from a higher traffic area and where it will not be tripped over.

Grounding

⚠WARNING

- This fan must be grounded while in use to protect the operator from electrical shock. This fan is equipped with an electrical cord that has an equipment grounding conductor and a grounding plug. The plug **MUST** be plugged into a matching receptacle that is properly installed and grounded in accordance with ALL local codes and ordinances.
- **DO NOT MODIFY THE PROVIDED PLUG.** If it will not fit the receptacle. Have the proper receptacle installed by a qualified electrician.
- **CHECK** with a qualified electrician or service person if you do not completely understand the grounding instructions, or if you are not sure if the fan is properly grounded.

Double Insulated Tools: Tools with Two-Prong Plugs

Tools marked **Double Insulated** do not require grounding. They have a special double insulation system which satisfies OSHA requirements and complies with the applicable standards of Underwriters Laboratories, Inc., the Canadian Standard Association, and the National Electrical Code. (See Figure B.)

Double insulated tools may be used in either of the 120 volt outlets shown in the following illustration.

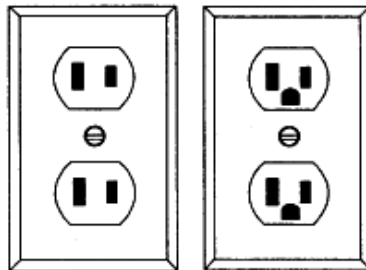


FIGURE B

Extension Cords

⚠WARNING

- **USE A PROPER EXTENSION CORD.** Make sure your extension cord is in good condition. When using an extension cord, be sure to use one heavy enough to carry the current your product will draw. An undersized cord will cause a drop in line voltage, resulting in loss of power and cause overheating.
- Be sure your extension cord is properly wired and in good condition. Always replace a damaged extension cord or have it repaired by a qualified person before using it. Protect your extension cords from sharp objects, excessive heat and damp or wet areas.
- Grounded tools require a 3-wire extension cord. Double Insulated tools can use either a 2- or 3-wire extension cord.

- As the distance from the supply outlet increases, you must use a heavier gauge extension cord. Using extension cords with inadequately sized wire causes a serious drop in voltage, resulting in loss of power and possible tool damage.
- The smaller the gauge number of the wire, the greater the capacity of the cord. For example, a 14-gauge cord can carry a higher current than a 16-gauge cord. Minimum extension cord wire size is shown in the following table:

Minimum Wire Size Of Extension Cords				
Nameplate AMPS	Cord Length			
	25'	50'	100'	150'
0-6	18 AWG	16 AWG	16 AWG	14 AWG
6-10	18 AWG	16 AWG	14 AWG	12 AWG
10-12	16 AWG	16 AWG	14 AWG	12 AWG
12-16	14 AWG	12 AWG	NOT RECOMMENDED	

- When using more than one extension cord to make up the total length, make sure each cord contains at least the minimum wire size required.
- If you are using one extension cord for more than one tool, add the nameplate amperes and use the sum to determine the required minimum cord size.
- If you are using an extension cord outdoors, make sure it is marked with the suffix **W-A** (**W** in Canada) to indicate it is acceptable for outdoor use.
- Make sure your extension cord is properly wired and in good electrical condition. Always replace a damaged extension cord or have it repaired by a qualified electrician before using it.
- Protect your extension cords from sharp objects, excessive heat, and damp or wet areas.

Assembly Instructions

⚠WARNING

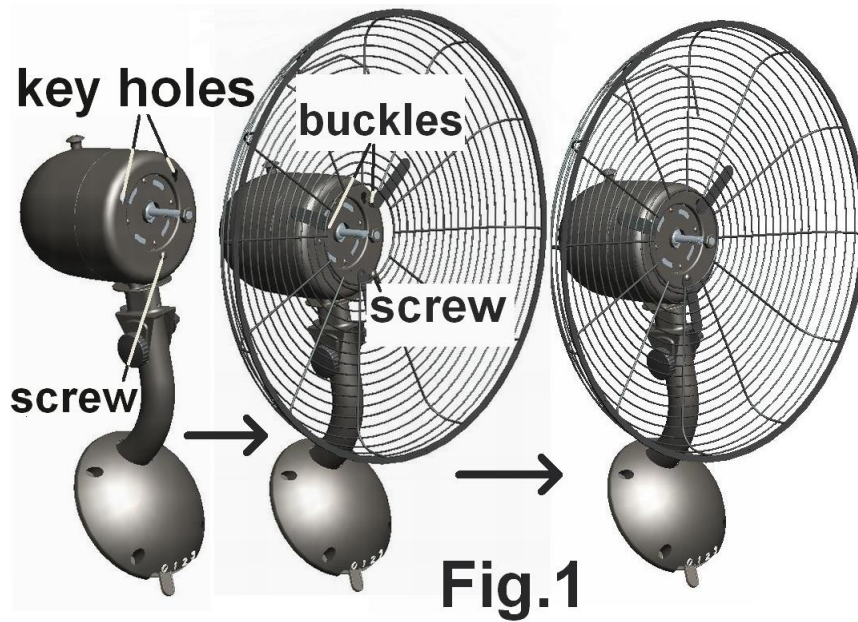
- Before using the fan, assemble all parts securely, and follow the steps below.

1. Rear grill assembly

1-1. Remove the screw on the front of the motor (Fig. 1).

1-2. Place the rear grill against the motor housing, insert the two upper buckles into the key holes, then slide them down to the small side (Fig. 1).

1-3. Align the bottom buckle hole with the screw hole on the housing, then tighten the screw to secure the rear grill to the motor (Fig.1).

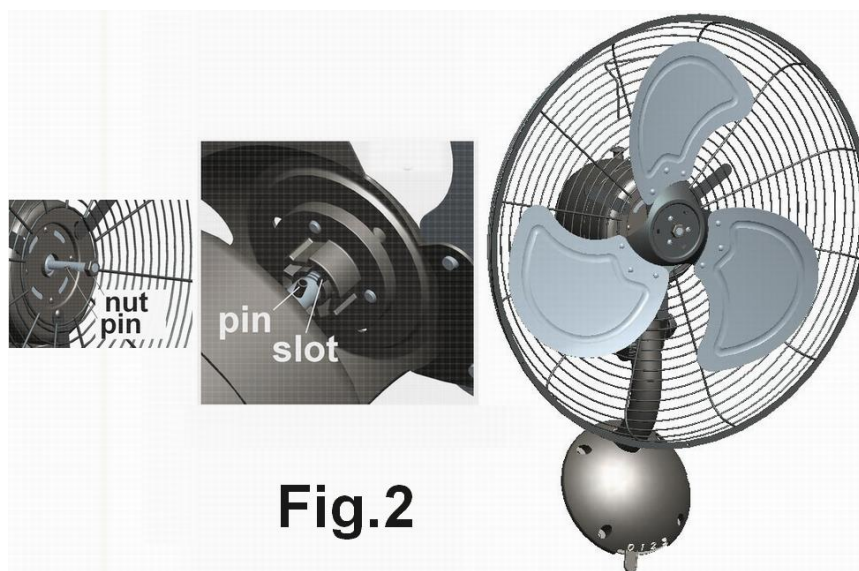


2. Propeller Assembly

2-1. Remove the nut from the motor shaft (Fig.2).

2-2. Slide the propeller onto the motor shaft by aligning its slot with the pin in the shaft (Fig.2).

2-3. Secure the propeller with the nut (Fig.2).

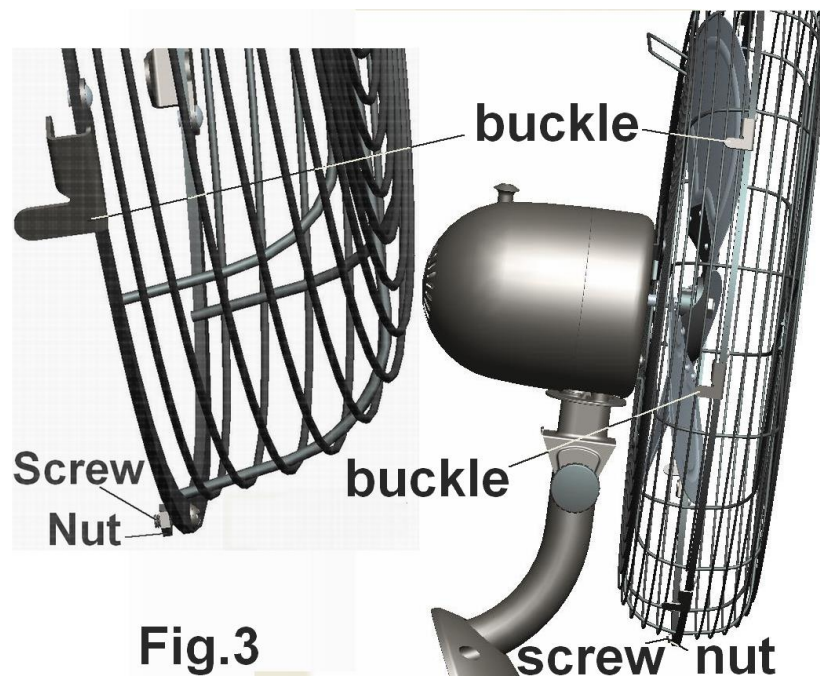


3. Front Grill Assembly

3-1. Remove the screw and nut in the bottom of the front grill (Fig.3).

3-2. Place the front grill against the rear grill with its top buckle encases the rim of the rear grill, and then turn all other buckles so they are encasing the rim also (Fig.3).

3-3. Tighten the two grills with a screw and nut again (Fig.3).



I. ATTACH THE FAN TO THE WALL

⚠WARNING

Be sure the surface being used is strong enough to hold the weight of the fan.

Draw two horizontal lines 9 cm apart and a vertical center line on the wall (Fig. 4).

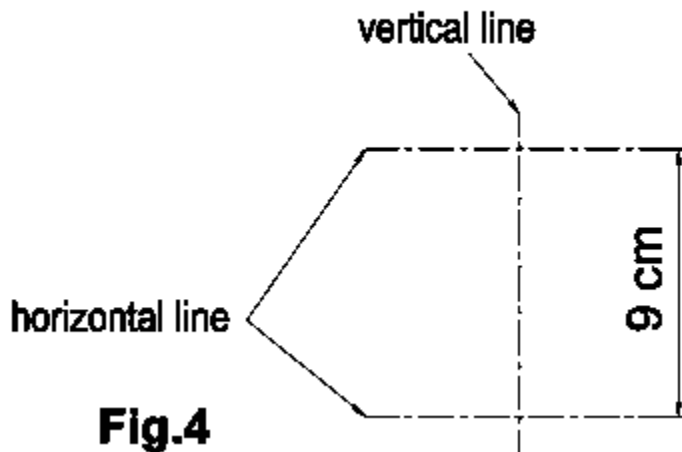


Fig.4

2. On each horizontal line, drill two holes 4.6 cm apart from the center line with a diameter as that of the wall plugs provided (Fig.5).

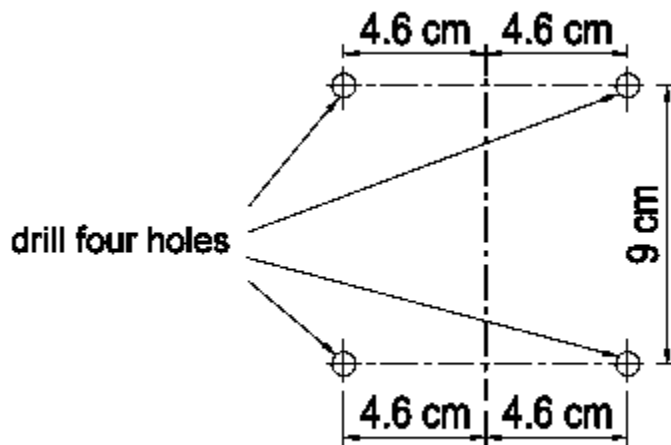
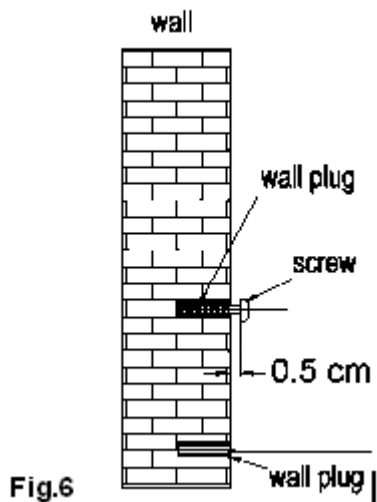
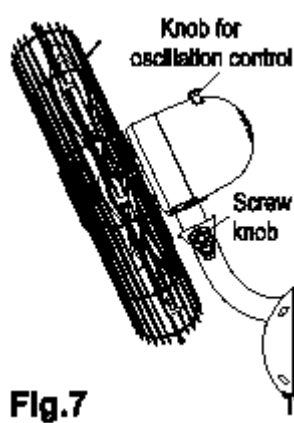


Fig.5

3. Insert four wall plugs into the holes (Fig.6).
4. Drive the two provided tapping screws (0.5 cm in diameter and 5 cm length) into two upper wall plugs, leaving a gap of 0.5 cm between the screw head and wall (Fig. 6).



5. Hang unit on the wall. Align its two key holes at the two screws on the wall (Fig.7).



6. Drive the two provided tapping screws (0.5 cm in diameter and 5 cm length) through the lower two holes of the base into the wall plug and secure the unit firmly against the wall.

7. Tighten the two upper screws through the base top hole (Fig.7).

The unit is now ready for use.

Operating Instructions

⚠WARNING

- Electric shock hazard. Do not expose the unit or the plug to water or rain. Do not use the fan near a water source such as a swimming pool, bathtub, or shower.
- Be sure the fan is properly grounded.
- Do not use this fan with any solid state speed control device.
- Only plug the unit into a power outlet with the same voltage as rated voltage of it.
- Rotating blade hazard. Keep hands clear to avoid serious injury.

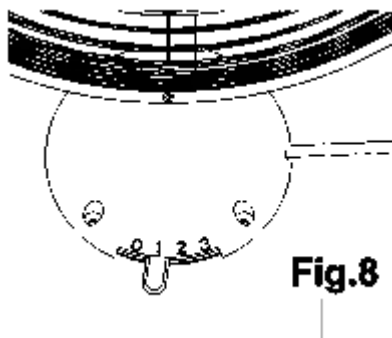
- Do not operate in the presence of explosive and/or flammable fumes.
- Do not plug/unplug the fan into/from the electrical outlet while wet or standing in a wet or damp area.
- Never operate the fan without the guard in place.
- For indoor use only. Do not use outdoors. Do not place the fan in or near a window. Rain may create an electrical hazard.
- Do not operate any fan with a damaged cord or plug. Discard fan or return to an authorized service facility for repair before resuming operation.
- Do not run cord under carpeting. Do not cover cord with throw rugs, runners, or similar coverings.
- Do not place cord under furniture or appliances. Arrange cord away from a higher traffic area and where it will not be tripped over.

The unit can be used alone or in conjunction with an air conditioner unit to circulate already cooled air or force it into other rooms. Connect the power plug to any standard 120V AC outlet.

⚠ CAUTION

Make sure the control is in the "0" (off) position before plugging in unit.

1. To operate the fan, slide the speed control bar to High "3" for a strong breeze, Low "1" for mild, or Medium "2" for a breeze in between. To turn off the fan, slide the speed control bar to the OFF position "0".



2. When turning on, the unit can also be used for oscillation by pushing down the knob at top of its head or still in any position by pulling the knob up (Fig 7).

3. To adjust the tilt of the unit, loosen the screw knob at the right first, then turn the unit head up or down to the desired angle and tighten the screw knob again (Fig 7).

It is normal for the motor to feel warm to the touch during operation. The motor is thermally protected and will automatically shut off should it overheat for any reason. If this happens, immediately disconnect the fan from the power outlet.

Maintenance

- **Maintain your fan.** It is recommended that the general condition of any fan be examined before it is used. Keep your fan in good repair by adopting a program of conscientious repair

- and maintenance. Have necessary repairs made by qualified service personnel.
- Always disconnect the cord from the electrical outlet before cleaning your fan.
 - Light accumulated dust may be removed by using a soft cloth to wipe away the dust at the back grill of the fan.
 - Wipe the exterior surfaces of the fan occasionally with a damp cloth (not dripping wet) and dry thoroughly with a soft dry cloth before operating the fan.
 - Do not use harsh cleaners or materials to clean this unit, doing so will damage it. Cleaning is required every 3-4 months. The grills can be removed for cleaning purposes only. Never operate the fan while the grills are removed.
 - Grasp the plug and remove it from the receptacle or other outlet device.
 - Do not unplug by pulling on the cord.
 - Open the fuse cover. Slide open the fuse access cover on top of attachment plug toward the blades.
 - Turn the fuse holder over to remove the fuse. Remove the fuse carefully.
 - Risk of fire. Replace fuse only with 5 Amp, 125 Volt fuse (provided with product).
 - Close the fuse cover. Slide closed the fuse access cover on top of the attachment plug.
 - There is a risk of fire. Do not replace the attachment plug which contains a safety device (fuse) that should not be removed. Discard product if the attachment plug is damaged.

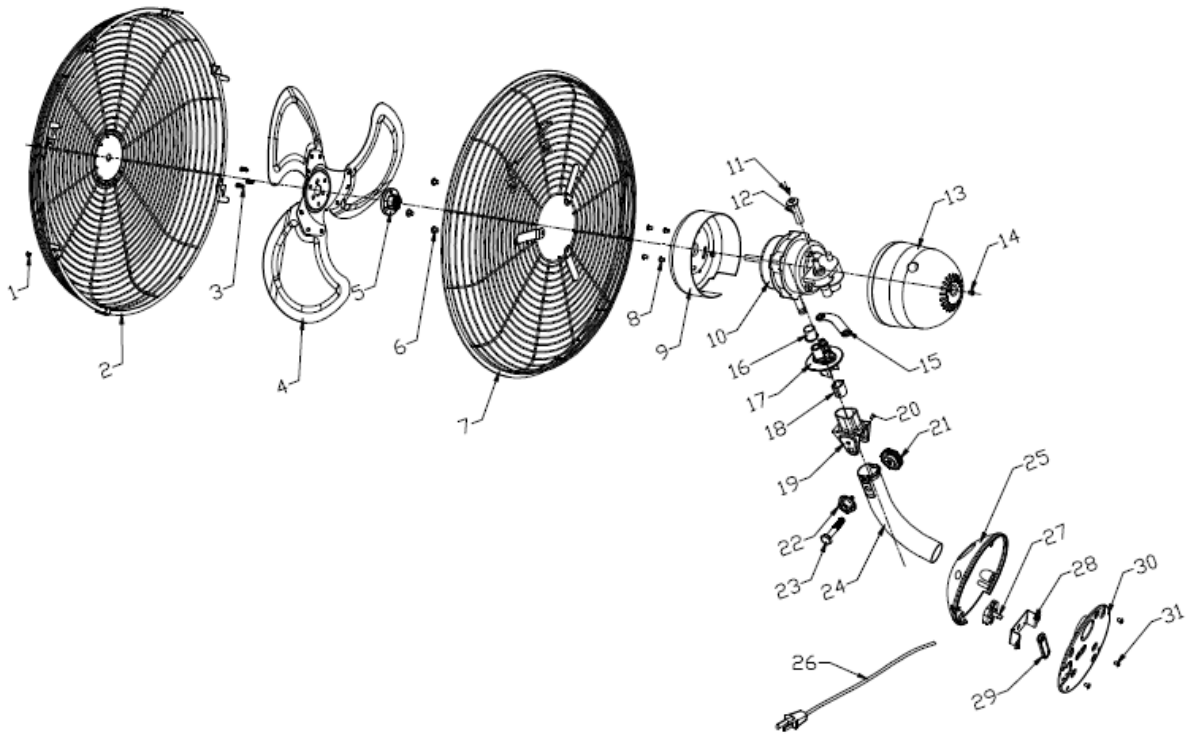
Troubleshooting

If your fan fails to operate, use the following table prior to contacting customer service.

PROBLEM	PROBABLE CAUSE	SOLUTION
Fan does not turn on.	Fan is not plugged into a 120 V AC, 60 Hz polarized outlet.	Ensure unit is in the OFF position. Plug in unit and attempt to turn on again.
	Breaker has been tripped or fuse has blown.	Check your electrical box to confirm the breaker has not been tripped. Ensure unit is in the OFF position. Plug in unit and attempt to turn on again. Attempt to plug unit in another receptacle in the house.
Fan is on but air coming out is not strong enough.	There is dust build-up at the back of the fan.	Turn fan OFF and unplug. Using a soft, dry cloth, wipe the back of the grill to remove any dust build-up. Plug in unit and turn fan back ON to resume normal operation.

PLEASE DO NOT ATTEMPT TO OPEN OR REPAIR THE FAN YOURSELF. DOING SO COULD VOID THE WARRANTY AND CAUSE DAMAGE OR PERSONAL INJURY.

Parts Diagram



Parts List

Part Number	Part Description	Quantity
1	Screw	1
2	Front Grill	1
3	Screw	3
4	Propeller	1
5	Flange	1
6	Screw	1
7	Rear Grill	1
8	Screw	4
9	Front Housing	1
10	Motor	1
11	Screw	1
12	Oscillation Knob	1
13	Rear Housing	1
14	Screw	1
15	Link	1
16	Sleeve	1
17	Plastic Bracket	1
18	Irregular Sleeve	1
19	Steel Bracket	1
20	Screw	1
21	Nut	1
22	Lock Knob	1
23	Bolt	1
24	Curve Tube	1
25	Base Cover	1

Part Number	Part Description	Quantity
26	Power Cord	1
27	Switch	1
28	Brace	1
29	Bar	1
30	Base	1
31	Screw	1

Replacement Parts

- For replacement parts and technical questions, please call Customer Service at **1-800-222-5381**.
- Not all product components are available for replacement. The illustrations provided are a convenient reference to the location and position of parts in the assembly sequence.
- When ordering parts, the following information will be required: item description, item model number, item serial number/item lot date code, and the replacement part reference number.
- The distributor reserves the rights to make design changes and improvements to product lines and manuals without notice.

Limited Warranty

Northern Tool and Equipment Company, Inc. ("We" or "Us") warrants to the original purchaser only ("You" or "Your") that the Ironton product purchased will be free from material defects in both materials and workmanship, normal wear and tear excepted, for a period of **one year** from date of purchase. The foregoing warranty is valid only if the installation and use of the product is strictly in accordance with product instructions. There are no other warranties, express or implied, including the warranty of merchantability or fitness for a particular purpose. If the product does not comply with this limited warranty, Your sole and exclusive remedy is that We will, at our sole option and within a commercially reasonable time, either replace the product or product component without charge to You or refund the purchase price (less shipping). This limited warranty is not transferable.

Limitations on the Warranty

This limited warranty does not cover: (a) normal wear and tear; (b) damage through abuse, neglect, misuse, or as a result of any accident or in any other manner; (c) damage from misapplication, overloading, or improper installation; (d) improper maintenance and repair; and (e) product alteration in any manner by anyone other than Us, with the sole exception of alterations made pursuant to product instructions and in a workmanlike manner.

Obligations of Purchaser

You must retain Your product purchase receipt to verify date of purchase and that You are the original purchaser. To make a warranty claim, contact Us at 1-800-222-5381, identify the product by make and model number, and follow the claim instructions that will be provided. The product and the purchase receipt must be provided to Us in order to process Your warranty claim. Any returned product that is replaced or refunded by Us becomes our property. You will be responsible for return shipping costs or costs related to Your return visit to a retail store.

Remedy Limits

Product replacement or a refund of the purchase price is Your sole remedy under this limited warranty or any other warranty related to the product. We shall not be liable for: service or labor charges or damage to Your property incurred in removing or replacing the product; any damages, including, without limitation, damages to tangible personal property or personal injury, related to Your improper use, installation, or maintenance of the product or product component; or any indirect, incidental or consequential damages of any kind for any reason.

Assumption of Risk

You acknowledge and agree that any use of the product for any purpose other than the specified use(s) stated in the product instructions is at Your own risk.

Governing Law

This limited warranty gives You specific legal rights, and You also may have other rights which vary from state to state. Some states do not allow limitations or exclusions on implied warranties or incidental or consequential damages, so the above limitations may not apply to You. This limited warranty is governed by the laws of the State of Minnesota, without regard to rules pertaining to conflicts of law. The state courts located in Dakota County, Minnesota shall have exclusive jurisdiction for any disputes relating to this warranty.



Distributed by:

Northern Tool & Equipment Company, Inc.

Burnsville, Minnesota 55306

www.northerntool.com

Made in China