



500-Lb. Rapid Lift XT Hydraulic Table

Owner's Manual



! **WARNING:** Read carefully and understand all ASSEMBLY AND OPERATION INSTRUCTIONS before operating. Failure to follow the safety rules and other basic safety precautions may result in serious personal injury.

Item #57755

READ & SAVE THESE INSTRUCTIONS

Thank you very much for choosing a Strongway™ product!

For future reference, please complete the owner's record below:

Serial Number/Lot Date Code: _____

Purchase Date: _____

Save the receipt, warranty, and this manual. It is important that you read the entire manual to become familiar with this product before you begin using it.

This hydraulic table is designed for certain applications only. Northern Tool and Equipment is not responsible for issues arising from modification or improper use of this product such as an application for which it was not designed. We strongly recommend that this product not be modified and/or used for any application other than that for which it was designed.

For technical questions, please call **1-800-222-5381**.

Table of Contents

Intended Use.....4

Technical Specifications4

Important Safety Information4

Specific Operation Warnings6

Main Parts of Product6

Assembly Instructions.....7

Before Each Use.....8

Operating Instructions.....8

After Each Use.....10

Maintenance10

Troubleshooting.....11

Parts Diagram12

Parts List13

Replacement Parts14

Limited Warranty15

Intended Use

This Strongway 500-Lb. Rapid Lift XT Hydraulic Table is a hydraulic scissor lift table with easy foot-pedal operation. It's perfect in the factory, warehouse, office, or shop, making lifting, positioning, and transporting functions easier. Its ergonomic style makes the table safe and comfortable to use.

Technical Specifications

Property	Specification
Load Capacity (lb.)	500
Raised Height (in.)	50 3/4
Lowered Height (in.)	14 1/4
Platform Size L x W (in.)	27 3/4 x 17 3/4
Overall Dimensions L x W x H (in.)	37 x 17 3/4 x 50 3/4

Important Safety Information

⚠️WARNING

- Read and understand all instructions. Failure to follow all instructions may result in serious injury or property damage.
- The warnings, cautions, and instructions in this manual cannot cover all possible conditions or situations that could occur. Exercise common sense and caution when using this tool. Always be aware of the environment and ensure that the tool is used in a safe and responsible manner.
- Do not allow persons to operate or assemble the product until they have read this manual and have developed a thorough understanding of how it works.
- Do not modify this product in any way. Unauthorized modification may impair the function and/or safety and could affect the life of the product. There are specific applications for which the product was designed.
- Use the right tool for the job. DO NOT attempt to force small equipment to do the work of larger industrial equipment. There are certain applications for which this equipment was designed. This product will be safer and do a better job at the capacity for which it was intended. DO NOT use this equipment for a purpose for which it was not intended.
- Industrial or commercial applications must follow OSHA requirements.

⚠️WARNING

WORK AREA SAFETY

- Inspect the work area before each use. Keep work area clean, dry, free of clutter, and well-lit. Cluttered, wet, or dark work areas can result in injury. Using the product in confined work areas may put you dangerously close to cutting tools and rotating parts.
- Do not use the product where there is a risk of causing a fire or an explosion; e.g., in the presence

of flammable liquids, gases, or dust. The product can create sparks, which may ignite the flammable liquids, gases, or dust.

- Do not allow the product to come into contact with an electrical source. The tool is not insulated and contact will cause electrical shock.
- Keep children and bystanders away from the work area while operating the tool. Do not allow children to handle the product.
- Be aware of all power lines, electrical circuits, water pipes, and other mechanical hazards in your work area. Some of these hazards may be hidden from your view and may cause personal injury and/or property damage if contacted.

⚠WARNING

PERSONAL SAFETY

- Stay alert, watch what you are doing, and use common sense when operating the tool. Do not use the tool while you are tired or under the influence of drugs, alcohol, or medication. A moment of inattention while operating the tool may result in serious personal injury.
- Dress properly. Do not wear loose clothing, dangling objects, or jewelry. Keep your hair, clothing and gloves away from moving parts. Loose clothes, jewelry, or long hair can be caught in moving parts. Air vents on the tool often cover moving parts and should be avoided.
- Wear the proper personal protective equipment when necessary. Use ANSI Z87.1 compliant safety goggles (not safety glasses) with side shields, or when needed, a face shield. Use a dust mask in dusty work conditions. Also use non-skid safety shoes, hardhat, gloves, dust collection systems, and hearing protection when appropriate. This applies to all persons in the work area.
- Do not overreach. Keep proper footing and balance at all times.
- Remove keys or wrenches before connecting the tool to an air supply, power supply, or turning on the tool. A wrench or key that is left attached to a rotating part of the tool may cause personal injury.
- Secure the work with clamps or a vise instead of your hand when practical. This safety precaution allows for proper tool operation using both hands.

⚠CAUTION

TABLE USE AND CARE

- Do not force the table. Products are safer and do a better job when used in the manner for which they are designed. Plan your work, and use the correct product for the job.
- Check for damaged parts before each use. Carefully check that the product will operate properly and perform its intended function. Replace damaged or worn parts immediately. Never operate the product with a damaged part.
- Store the product when it is not in use. Store it in a dry, secure place out of the reach of children. Inspect the tool for good working condition prior to storage and before re-use.
- Use only accessories that are recommended by the manufacturer for use with your product. Accessories that may be suitable for one product may create a risk of injury when used with

another tool. Never use an accessory that has a lower operating speed or operating pressure than the tool itself.

- Keep guards in place and in working order. Never operate the product without the guards in place.
- Do not leave the tool running unattended.

Specific Operation Warnings

⚠WARNING

- To prevent serious injury or property damage, read and understand owner's manual before use.
- Do not exceed the rated load capacity.
- Be aware of dynamic loading. Sudden load movement may briefly create excess load causing product failure.
- When loading and unloading goods on the hoisted table, do not place goods unparallelled with the table top. Doing so may cause serious offset and make the cart turn over.
- Wear ANSI Z87.1 compliant safety goggles.
- Use only on flat, level, and hard surface capable of supporting the lift table and the rated load.
- Be aware of the "pinch points". Keep hands and feet clear of lifting mechanism during operation. The scissor arm assembly can cause serious injury when opening or closing. Do not allow anyone near the scissor arm assembly during operation.
- Distribute load evenly. Loaded goods should be at least 80% on the table top surface.
- Loose or unstable goods should not to be loaded onto the table.
- Do not load lift table for more than 2 hours at a time.
- Do not adjust the safety valve.
- Do not use to transport people or animals.
- Do not make any alterations to this table.
- Lower load slowly.
- Lower load before transporting.
- Do not use for aircraft purposes.
- Lock casters when unattended. The cart can't be moved when goods are being lifted.
- Do not leave lift table loaded while unattended.
- Not for use by or around children.

Main Parts of Product

Reference	Subassembly
1	Handle
2	Table
3	Foot Pedal

Reference	Subassembly
4	Casters
5	Pump

Assembly Instructions

⚠WARNING

- Use at least two people to lift out of the box.

This product arrives partially assembled. The user will need to:

1. Assemble the Handle:

Slide the ends of the handle into the handle slots on the base and secure with a hex bolt.



2. Install the Foot Pedal:

Insert the pump lever with the foot pedal into the connecting rod and secure with a bolt.



Before Each Use

⚠WARNING

- Inspect the general condition of the table. Do not use lift table if damaged. Replace damaged parts before resuming operation.
- Test the cart operation by using the foot pedal and control lever. Make sure the table raises and lowers properly before adding weight to the table.
- Before raising the table top, lock the casters.

Operating Instructions

⚠WARNING

- Do not exceed the rated load capacity.
- Be aware of dynamic loading. Sudden load movement may briefly create excess load causing product failure.
- When loading and unloading goods on the hoisted table, do not place goods unparallelled with the table top. Doing so may cause serious offset and make the cart turn over.
- Wear ANSI Z87.1 compliant safety goggles.
- Use only on flat, level, and hard surface capable of supporting the lift table and the rated load.
- Be aware of the “pinch points”. Keep hands and feet clear of lifting mechanism during operation. The scissor arm assembly can cause serious injury when opening or closing. Do not allow anyone near the scissor arm assembly during operation.
- Distribute load evenly. Loaded goods should be at least 80% on the table top surface.
- Loose or unstable goods should not to be loaded onto the table.
- Do not load lift table for more than 2 hours at a time.
- Do not adjust the safety valve.
- Do not use to transport people or animals.
- Do not make any alterations to this table.
- Lower load slowly.
- Lower load before transporting.
- Lock casters when unattended. The cart can't be moved when goods are being lifted.
- Do not leave lift table loaded while unattended.

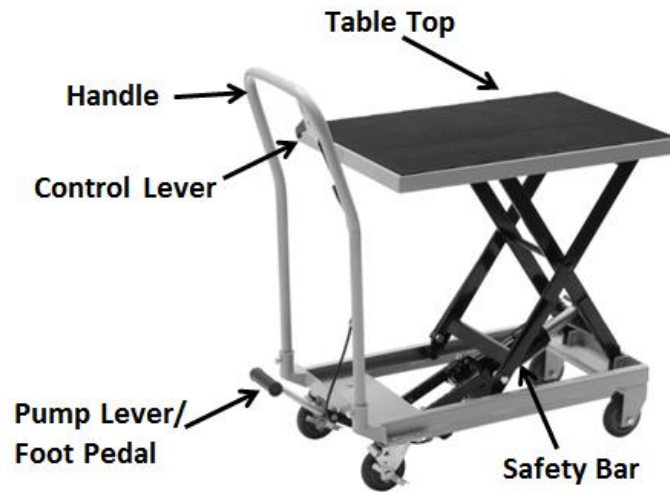
Raising the Table

1. Make sure the Control Lever is in the released position, and then press repeatedly on the Food Pedal.
2. After the desired height reached, engage the Safety Bars on the sides by swing them back towards the handle.

Lower the Table

- The control lever controls the operation of the hydraulic pump unit. To lower the pump and table, squeeze the control lever
- When the control lever is released, the pump and table movement will stop and the table will remain stationary.

Make sure the bars lock in place, and then squeeze the Control Level.



After Each Use

⚠WARNING

- To prevent accidents when finished using the cart, move the cart to a safe location and lock the locking swivel casters.

When finished using the table, move it to a safe location. Lock the locking swivel casters and lower the table as far as it will go. Clean and store the table indoors, out of children's reach.

Maintenance

⚠WARNING

- Store your table in a location where it is protected from moisture, dirt, and a corrosive environment. Protect it from being damaged from other items being moved in and out of its storage area.

Maintain the product by adopting a program of conscientious repair and maintenance in accordance with the following recommended procedures. It is recommended that the general condition of any tool be examined before it is used. Keep your tool in good repair. Keep handles dry, clean, and free from oil and grease. The following chart is based on a normal operation schedule.

Maintenance Interval	Maintenance Point
Before Use	Inspect the general condition of the cart. Check for loose hardware, misalignment of binding parts, cracked or broken parts, and any other condition that may affect its safe operation.
After Use	Store the table in a location where it is protected from moisture, dirt, and corrosive atmosphere. Protect it from being damaged from other items being moved in and out of its storage area. Occasionally check the condition of the casters. Occasionally apply light grease to the hinge points of the Scissor Arm Assembly and other pivot points of the assembly. Wipe off excess grease, as this will attract dirt.

Troubleshooting

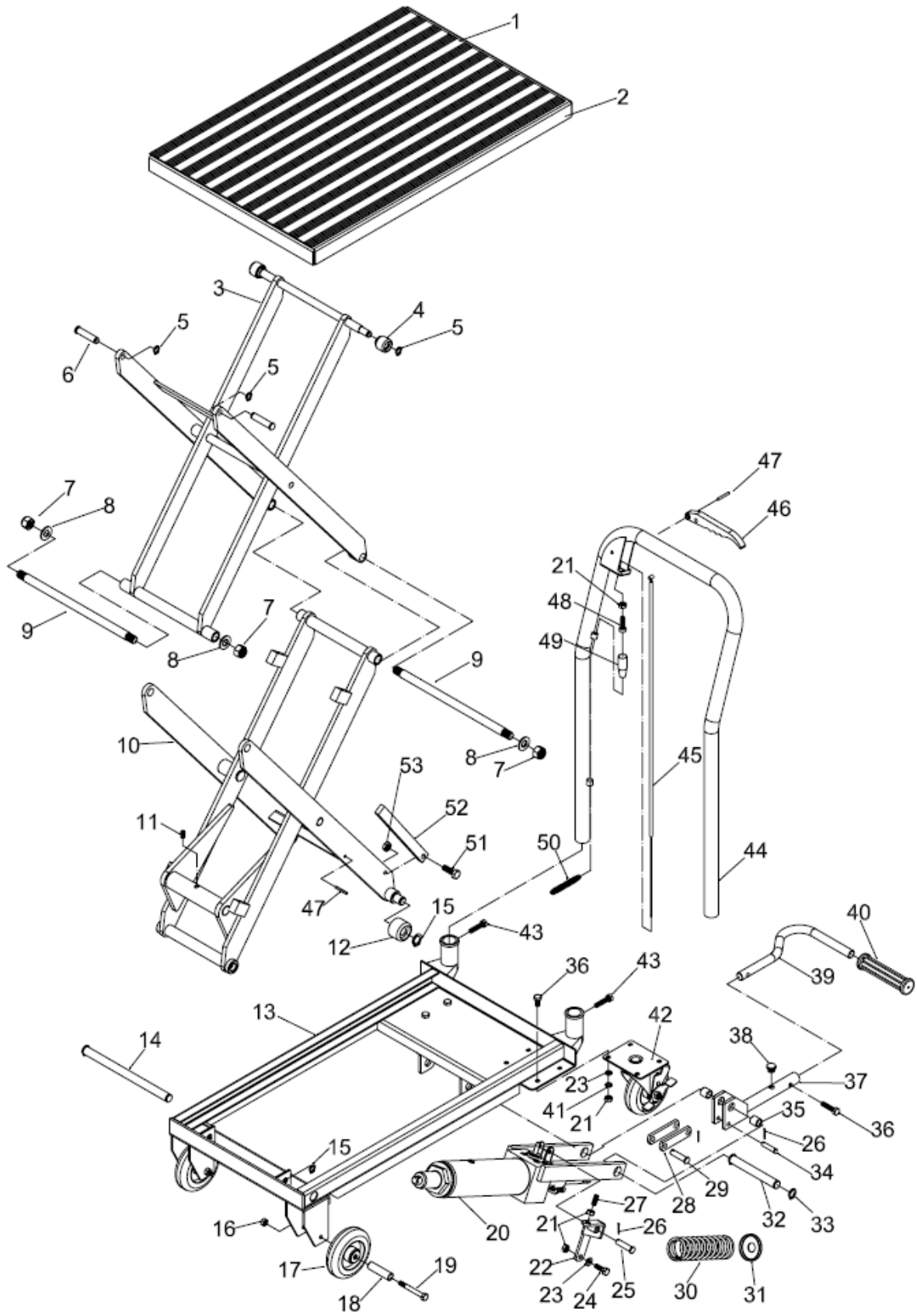
⚠WARNING

If the table is not performing properly, you may need to bleed the air from the system.

Use the table below to troubleshoot problems before contacting service personnel or your local dealer. If the problem continues after troubleshooting, call your local dealer for assistance.

Failure	Possible Cause	Corrective Action
Table fails to descend when first used	Bottom of pull rod drops out from the bolt during transportation or assembly.	Put it back.
table is not performing properly.	Air enters into the oil gradually after some period of usage.	Loosen the hex nut counter-clockwise, slightly adjust the bolt to make sure the control lever can lower the table, and then tighten the hex nut.
	Air has gotten into the system during the changing of the hydraulic oil (every twelve months).	Remove any load from the table. Release the control lever and repeatedly pump the foot pedal to raise the table to its highest position. Squeeze the control lever while rapidly pumping the foot pedal several times to lower the table.

Parts Diagram



Parts List

Reference	Part Description	Quantity
1	Protective Mat	1
2	Table	1
3	Scissor Arm (Upper)	1
4	Roller (Upper)	2
5	Retaining Ring 12	4
6	Pin	2
7	Lock Nut M14	4
8	Washer 14	4
9	Axle	2
10	Scissor Arm (Bottom)	1
11	Screw M6x12	1
12	Roller (Bottom)	2
13	Base	1
14	Axle	1
15	Retaining Ring 16	4
16	Lock Nut M12	2
17	Wheel 5"	2
18	Busher	2
19	Hex Bolt M12x85	2
20	Pump	1
21	Hex Nut M8	12
22	Release Valve Link	1
23	Washer 8	8
24	Bolt M8x25	1
25	PIN 8x40	1
26	COTTER PIN 2.5x24	3
27	Screw M8x20	1
28	Linkage	2
29	PIN 10x28	1
30	Spring	1
31	Spring Cap	1
32	Pin	1
33	Retaining Ring 20	2
34	PIN 10x40	1
35	Busher	2
36	Bolt M8x25	9
37	Connecting Rod	1
38	Rubber Pad	1
39	Pump Lever	1
40	Foot Pedal	1
41	Spring Washer 8	8
42	Locking Swivel Caster 5"	2
43	Hex Bolt M8x35	2
44	Handle	1
45	Pull Rod	1
46	Control Lever	1
47	Roll Pin 6x26	3
48	Bolt M8x25	1
49	Jacket	1
50	Spring	1
51	Hex Bolt M10x30	2
52	Safety Bar	2

Reference	Part Description	Quantity
53	Hex Nut M10	2

Replacement Parts

- For replacement parts and technical questions, please call Customer Service at **1-800-222-5381**.
- Not all product components are available for replacement. The illustrations provided are a convenient reference to the location and position of parts in the assembly sequence.
- When ordering parts, the following information will be required: item description, item model number, item serial number/item lot date code, and the replacement part reference number.
- The distributor reserves the rights to make design changes and improvements to product lines and manuals without notice.

Limited Warranty

Northern Tool and Equipment Company, Inc. ("We" or "Us") warrants to the original purchaser only ("You" or "Your") that the Strongway product purchased will be free from material defects in both materials and workmanship, normal wear and tear excepted, for a period of one year from date of purchase. The foregoing warranty is valid only if the installation and use of the product is strictly in accordance with product instructions. There are no other warranties, express or implied, including the warranty of merchantability or fitness for a particular purpose. If the product does not comply with this limited warranty, Your sole and exclusive remedy is that We will, at our sole option and within a commercially reasonable time, either replace the product or product component without charge to You or refund the purchase price (less shipping). This limited warranty is not transferable.

Limitations on the Warranty

This limited warranty does not cover: (a) normal wear and tear; (b) damage through abuse, neglect, misuse, or as a result of any accident or in any other manner; (c) damage from misapplication, overloading, or improper installation; (d) improper maintenance and repair; and (e) product alteration in any manner by anyone other than Us, with the sole exception of alterations made pursuant to product instructions and in a workmanlike manner.

Obligations of Purchaser

You must retain Your product purchase receipt to verify date of purchase and that You are the original purchaser. To make a warranty claim, contact Us at 1-800-222-5381, identify the product by make and model number, and follow the claim instructions that will be provided. The product and the purchase receipt must be provided to Us in order to process Your warranty claim. Any returned product that is replaced or refunded by Us becomes our property. You will be responsible for return shipping costs or costs related to Your return visit to a retail store.

Remedy Limits

Product replacement or a refund of the purchase price is Your sole remedy under this limited warranty or any other warranty related to the product. We shall not be liable for: service or labor charges or damage to Your property incurred in removing or replacing the product; any damages, including, without limitation, damages to tangible personal property or personal injury, related to Your improper use, installation, or maintenance of the product or product component; or any indirect, incidental or consequential damages of any kind for any reason.

Assumption of Risk

You acknowledge and agree that any use of the product for any purpose other than the specified use(s) stated in the product instructions is at Your own risk.

Governing Law

This limited warranty gives You specific legal rights, and You also may have other rights which vary from state to state. Some states do not allow limitations or exclusions on implied warranties or incidental or consequential damages, so the above limitations may not apply to You. This limited warranty is governed by the laws of the State of Minnesota, without regard to rules pertaining to conflicts of law. The state courts located in Dakota County, Minnesota shall have exclusive jurisdiction for any disputes relating to this warranty.



Distributed by:

Northern Tool & Equipment Company, Inc.

Burnsville, Minnesota 55306

www.northerntool.com

Made in China.