



500-Lb. Hydraulic Table

Owner's Manual



⚠ WARNING: Read carefully and understand all ASSEMBLY AND OPERATION INSTRUCTIONS before operating. Failure to follow the safety rules and other basic safety precautions may result in serious personal injury.

Item #57753

READ & SAVE THESE INSTRUCTIONS

Thank you very much for choosing an Ironton™ product!

For future reference, please complete the owner's record below:

Serial Number/Lot Date Code: _____

Purchase Date: _____

Save the receipt, warranty, and this manual. It is important that you read the entire manual to become familiar with this product before you begin using it.

This hydraulic table is designed for certain applications only. Northern Tool and Equipment is not responsible for issues arising from modification or improper use of this product such as an application for which it was not designed. We strongly recommend that this product not be modified and/or used for any application other than that for which it was designed.

For technical questions, please call **1-800-222-5381**.

Table of Contents

Intended Use.....	4
Technical Specifications	4
Important Safety Information	4
Specific Operation Warnings	6
Main Parts of Product	6
Assembly Instructions.....	6
Before Each Use.....	8
Operating Instructions.....	8
After Each Use.....	9
Maintenance	9
Troubleshooting.....	10
Parts Diagram	11
Parts List	12
Diagram-Pump.....	13
Parts List- Pump.....	13
Replacement Parts	14
Limited Warranty	15

Intended Use

This Ironton 500-Lb. Hydraulic Table is a hydraulic scissor lift tabletop with an easy foot-pedal operation. It's ideal for lifting, positioning, and transporting heavy materials around the shop, factory, warehouse, or office.

Technical Specifications

Property	Specification
Load Capacity	500 lb.
Raised Height	28 5/8 inch
Lowered Height	9 1/4 inch
Platform Size L x W	27 3/4 x 17 3/4 inch
Overall Dimensions L x W x H	35 x 17 3/4 x 35 1/2 inch

Important Safety Information

⚠WARNING

- Read and understand all instructions. Failure to follow all instructions may result in serious injury or property damage.
- The warnings, cautions, and instructions in this manual cannot cover all possible conditions or situations that could occur. Exercise common sense and caution when using this tool. Always be aware of the environment and ensure that the tool is used in a safe and responsible manner.
- Do not allow persons to operate or assemble the product until they have read this manual and have developed a thorough understanding of how it works.
- Do not modify this product in any way. Unauthorized modification may impair the function and/or safety and could affect the life of the product. There are specific applications for which the product was designed.
- Use the right tool for the job. DO NOT attempt to force small equipment to do the work of larger industrial equipment. There are certain applications for which this equipment was designed. This product will be safer and do a better job at the capacity for which it was intended. DO NOT use this equipment for a purpose for which it was not intended.
- Industrial or commercial applications must follow OSHA requirements.

⚠WARNING

WORK AREA SAFETY

- Inspect the work area before each use. Keep work area clean, dry, free of clutter, and well-lit. Cluttered, wet, or dark work areas can result in injury. Using the product in confined work areas may put you dangerously close to cutting tools and rotating parts.
- Do not use the product where there is a risk of causing a fire or an explosion; e.g., in the presence of flammable liquids, gases, or dust. The product can create sparks, which may ignite the flammable liquids, gases, or dust.
- Do not allow the product to come into contact with an electrical source. The tool is not insulated

and contact will cause electrical shock.

- Keep children and bystanders away from the work area while operating the tool. Do not allow children to handle the product.
- Be aware of all power lines, electrical circuits, water pipes, and other mechanical hazards in your work area. Some of these hazards may be hidden from your view and may cause personal injury and/or property damage if contacted.

⚠WARNING

PERSONAL SAFETY

- Stay alert, watch what you are doing, and use common sense when operating the tool. Do not use the tool while you are tired or under the influence of drugs, alcohol, or medication. A moment of inattention while operating the tool may result in serious personal injury.
- Dress properly. Do not wear loose clothing, dangling objects, or jewelry. Keep your hair, clothing and gloves away from moving parts. Loose clothes, jewelry, or long hair can be caught in moving parts. Air vents on the tool often cover moving parts and should be avoided.
- Wear the proper personal protective equipment when necessary. Use ANSI Z87.1 compliant safety goggles (not safety glasses) with side shields, or when needed, a face shield. Use a dust mask in dusty work conditions. Also use non-skid safety shoes, hardhat, gloves, dust collection systems, and hearing protection when appropriate. This applies to all persons in the work area.
- Do not overreach. Keep proper footing and balance at all times.
- Do not use the tool when tired or under the influence of drugs, alcohol or medication.

⚠CAUTION

TABLE USE AND CARE

- Do not force the table. Products are safer and do a better job when used in the manner for which they are designed. Plan your work, and use the correct product for the job.
- Check for damaged parts before each use. Carefully check that the product will operate properly and perform its intended function. Replace damaged or worn parts immediately. Never operate the product with a damaged part.
- Store the product when it is not in use. Store it in a dry, secure place out of the reach of children. Inspect the tool for good working condition prior to storage and before re-use.
- Use only accessories that are recommended by the manufacturer for use with your product. Accessories that may be suitable for one product may create a risk of injury when used with another tool. Never use an accessory that has a lower operating speed or operating pressure than the tool itself.
- Keep guards in place and in working order. Never operate the product without the guards in place.
- Do not leave the tool running unattended.

Specific Operation Warnings

⚠WARNING

- To prevent serious injury or property damage, read and understand owner's manual before use.
- Do not exceed the rated load capacity.
- Be aware of dynamic loading. Sudden load movement may briefly create excess load causing product failure.
- When loading and unloading goods on the hoisted table, do not place goods unparallelled with the table top. Doing so may cause serious offset and make the cart turn over.
- Wear ANSI Z87.1 compliant safety goggles.
- Use only on flat, level, and hard surface capable of supporting the lift table and the rated load.
- Be aware of the "pinch points". Keep hands and feet clear of lifting mechanism during operation. The scissor arm assembly can cause serious injury when opening or closing. Do not allow anyone near the scissor arm assembly during operation.
- Distribute load evenly. Loaded goods should be at least 80% on the table top surface.
- Loose or unstable goods should not to be loaded onto the table.
- Do not load lift table for more than 2 hours at a time.
- Do not adjust the safety valve.
- Do not use to transport people or animals.
- Do not make any alterations to this table.
- Lower load slowly.
- Lower load before transporting.
- Do not use for aircraft purposes.
- Lock casters when unattended. The cart can't be moved when goods are being lifted.
- Do not leave lift table loaded while unattended.
- Not for use by or around children.

Main Parts of Product

Reference	Subassembly
1	Handle
2	Pump Lever
3	Table
4	Casters
5	Pump

Assembly Instructions

⚠WARNING

- Use at least two people to lift out of the box.

This product arrives almost completely assembled however light assembly is required.

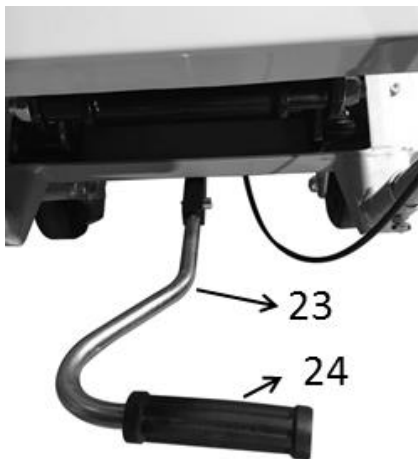
1. Assemble the Handle

Slide the ends of the handle into the handle slots on the base, and then secure with a hex bolt.



2. Install the Foot Pedal

Insert the pump lever (23) with the foot pedal (24) into the connecting rod and secure with a bolt.



Before Each Use

- Inspect the general condition of the table. Do not use lift table if damaged. Replace damaged parts before resuming operation.
- Test the cart operation by using the foot pedal and control lever. Make sure the table raises and lowers properly before adding weight to the table.
- Before raising the table top, lock the casters.

Operating Instructions

WARNING

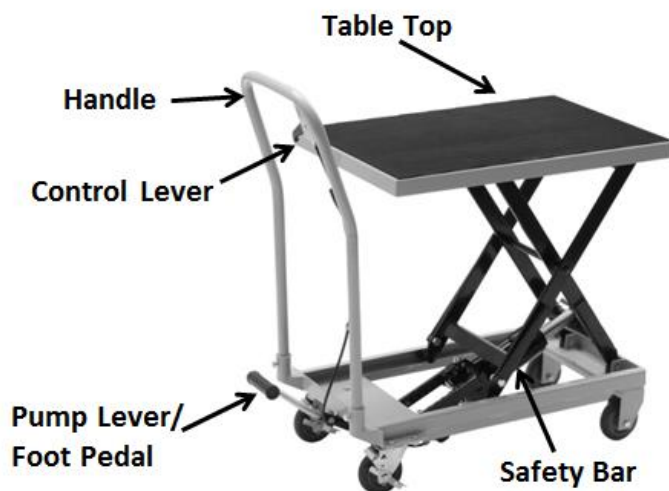
- Do not exceed the rated load capacity.
- Be aware of dynamic loading. Sudden load movement may briefly create excess load causing product failure.
- When loading and unloading goods on the hoisted table, do not place goods unparallelled with the table top. Doing so may cause serious offset and make the cart turn over.
- Wear ANSI Z87.1 compliant safety goggles.
- Use only on flat, level, and hard surface capable of supporting the lift table and the rated load.
- Be aware of the “pinch points”. Keep hands and feet clear of lifting mechanism during operation. The scissor arm assembly can cause serious injury when opening or closing. Do not allow anyone near the scissor arm assembly during operation.
- Distribute load evenly. Loaded goods should be at least 80% on the table top surface.
- Loose or unstable goods should not to be loaded onto the table.
- Do not load lift table for more than 2 hours at a time.
- Do not adjust the safety valve.
- Do not use to transport people or animals.
- Do not make any alterations to this table.
- Lower load slowly.
- Lower load before transporting.
- Lock casters when unattended. The cart can't be moved when goods are being lifted.
- Do not leave lift table loaded while unattended.

Raising the Table

1. Make sure the control lever is in the released position, and then press repeatedly on the foot pedal.
2. After the desired height is reached, engage the safety bars on the sides by swinging them back towards the handle.

Lower the Table

- The control lever controls the operation of the hydraulic pump unit. To lower the pump and table, squeeze the control lever.
- When the control lever is released, the pump and table movement will stop and the table will remain stationary.
- Make sure the bars lock in place, and squeeze the control level.



After Each Use

⚠WARNING

- To prevent accidents when finished using the cart, move the cart to a safe location and lock the locking swivel casters.
- Lower the table as far as it will go.
- Clean and store the cart indoors out of the reach of children.

Maintenance

⚠WARNING

- Store the table in a location where it is protected from moisture, dirt, and a corrosive atmosphere. Protect it from being damaged from other items being moved in and out of its storage area.

Maintain the product by adopting a program of conscientious repair and maintenance in accordance with the following recommended procedures. It is recommended that the general condition of any tool be examined before it is used. Keep your tool in good repair. Keep handles dry, clean, and free from oil and grease. The following chart is based on a normal operation schedule.

Maintenance Interval	Maintenance Point
Before Use	Inspect the general condition of the cart. Check for loose hardware, misalignment of binding parts, cracked or broken parts, and any other condition that may affect its safe operation.
After Use	Occasionally check the condition of the casters. Wipe external surfaces of the tool with clean cloth.

Troubleshooting

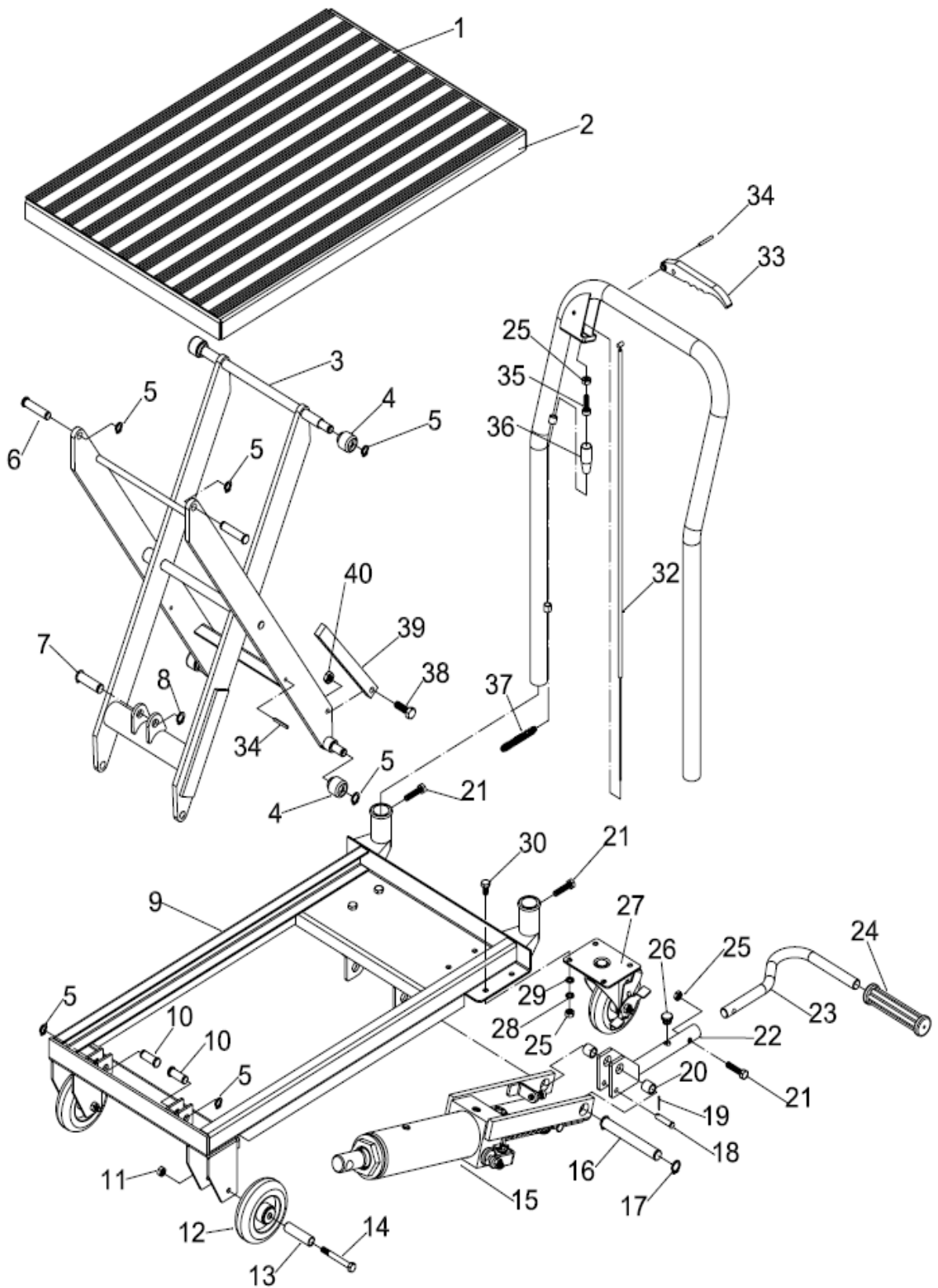
⚠️ WARNING

- If the table is not performing properly, you may need to bleed the air from the system.

Use the table below to troubleshoot problems before contacting service personnel or your local dealer. If the problem continues after troubleshooting, call your local dealer for assistance.

Failure	Possible Cause	Corrective Action
Table fails to descend when first used.	Bottom of pull rod drops out from the bolt during transportation or assembly.	Put it back.
Control lever does not lower the table easily.	Hex nut may be over tightened.	Loosen the hex nut by turning counter-clockwise, slightly adjusting the bolt to make sure the control lever can lower the table, and then tighten the hex nut.
Table is not performing properly.	Air is entering into the oil gradually after some period of usage.	Remove load from the table. Release the control lever, and then repeatedly pump the foot pedal to raise the table to its highest position. Squeeze the control lever while pumping the foot pedal several times rapidly to lower the lift table.
	Air has gotten into the system during the changing of the hydraulic oil (done every twelve months).	Use proper way to change the hydraulic oil to avoid this.

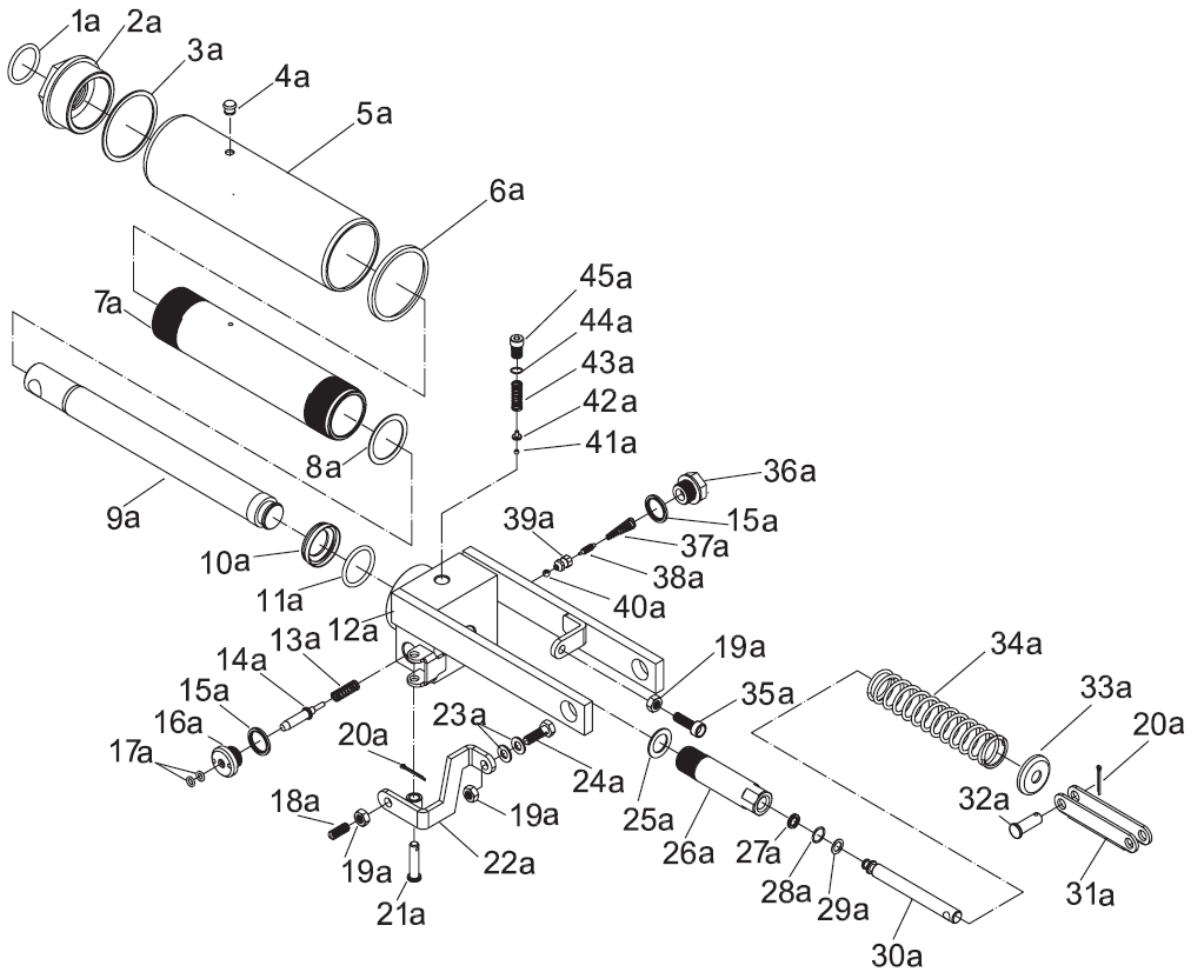
Parts Diagram



Parts List

Reference	Part Description	Quantity
1	Protective Mat	1
2	Lift Table	1
3	Scissor Arm	1
4	Roller	4
5	Retaining Ring 12	8
6	Pin	2
7	Pin	1
8	Retaining Ring 14	2
9	Base	1
10	Pin	2
11	Lock Nut M8	2
12	Wheel 4"	2
13	Bushing	2
14	Hex Bolt M8x60	2
15	Pump	1
16	Pin	1
17	Retaining Ring 16	2
18	Pin 8X40	1
19	Cotter Pin 2.5X24	1
20	Bushing	2
21	Hex Bolt M8x35	3
22	Connecting Rod	1
23	Pump Lever	1
24	Foot Pedal	1
25	Hex Nut M8	10
26	Rubber Pad	1
27	Locking Swivel Caster 4"	2
28	Spring Washer 8	8
29	Washer 8	8
30	Hex Bolt M8x16	8
31	Handle	1
32	Pull Rod	1
33	Control Lever	1
34	Roll Pin 6X26	3
35	Bolt M8x25	1
36	Jacket	1
37	Spring	1
38	Hex Bolt M10x30	2
39	Safety Bar	2
40	Hex Nut M10	2

Diagram-Pump



Parts List- Pump

Reference	Part Description	Quantity
1a	O-Ring	1
2a	Top Nut	1
3a	Sealing Gasket	1
4a	Rubber Fluid Plug	1
5a	Housing	1
6a	T-Ring	1
7a	Cylinder	1
8a	Copper Washer	1
9a	Ram	1
10a	O-Ring Retainer	1
11a	O-Ring	1
12a	Base	1
13a	Spring	1
14a	Release Valve	1
15a	Seal Washer 20	2
16a	Axle Sleeve	1
17a	O-Ring	2
18a	Screw M8x20	1

Reference	Part Description	Quantity
19a	Nut M8	3
20a	Cotter Pin 2.5x24	2
21a	Pin	1
22a	Release Valve Link	1
23a	Washer 8	2
24a	Bolt M8x25	1
25a	Seal Washer	1
26a	Pump Cylinder	1
27a	U-Cup	1
28a	O-Ring	2
29a	Retainer Ring	1
30a	Pump Piston	1
31a	Linkage	1
32a	Pin 8X24	1
33a	Spring Cap	1
34a	Spring	1
35a	Bolt M8x25	1
36a	Plug	1
37a	Spring	1
38a	Pumping Valve Spindle	1
39a	Pumping Valve Seat	1
40a	Steel Ball 6.35	1
41a	Steel Ball 5	1
42a	Ball Seat	1
43a	Spring	1
44a	O-Ring	1
45a	Adjusting Bolt	1

Replacement Parts

- For replacement parts and technical questions, please call Customer Service at **1-800-222-5381**.
- Not all product components are available for replacement. The illustrations provided are a convenient reference to the location and position of parts in the assembly sequence.
- When ordering parts, the following information will be required: item description, item model number, item serial number/item lot date code, and the replacement part reference number.
- The distributor reserves the rights to make design changes and improvements to product lines and manuals without notice.

Limited Warranty

Northern Tool and Equipment Company, Inc. ("We" or "Us") warrants to the original purchaser only ("You" or "Your") that the Ironton product purchased will be free from material defects in both materials and workmanship, normal wear and tear excepted, for a period of **90 days** from date of purchase. The foregoing warranty is valid only if the installation and use of the product is strictly in accordance with product instructions. There are no other warranties, express or implied, including the warranty of merchantability or fitness for a particular purpose. If the product does not comply with this limited warranty, Your sole and exclusive remedy is that We will, at our sole option and within a commercially reasonable time, either replace the product or product component without charge to You or refund the purchase price (less shipping). This limited warranty is not transferable.

Limitations on the Warranty

This limited warranty does not cover: (a) normal wear and tear; (b) damage through abuse, neglect, misuse, or as a result of any accident or in any other manner; (c) damage from misapplication, overloading, or improper installation; (d) improper maintenance and repair; and (e) product alteration in any manner by anyone other than Us, with the sole exception of alterations made pursuant to product instructions and in a workmanlike manner.

Obligations of Purchaser

You must retain Your product purchase receipt to verify date of purchase and that You are the original purchaser. To make a warranty claim, contact Us at 1-800-222-5381, identify the product by make and model number, and follow the claim instructions that will be provided. The product and the purchase receipt must be provided to Us in order to process Your warranty claim. Any returned product that is replaced or refunded by Us becomes our property. You will be responsible for return shipping costs or costs related to Your return visit to a retail store.

Remedy Limits

Product replacement or a refund of the purchase price is Your sole remedy under this limited warranty or any other warranty related to the product. We shall not be liable for: service or labor charges or damage to Your property incurred in removing or replacing the product; any damages, including, without limitation, damages to tangible personal property or personal injury, related to Your improper use, installation, or maintenance of the product or product component; or any indirect, incidental or consequential damages of any kind for any reason.

Assumption of Risk

You acknowledge and agree that any use of the product for any purpose other than the specified use(s) stated in the product instructions is at Your own risk.

Governing Law

This limited warranty gives You specific legal rights, and You also may have other rights which vary from state to state. Some states do not allow limitations or exclusions on implied warranties or incidental or consequential damages, so the above limitations may not apply to You. This limited warranty is governed by the laws of the State of Minnesota, without regard to rules pertaining to conflicts of law. The state courts located in Dakota County, Minnesota shall have exclusive jurisdiction for any disputes relating to this warranty.



Distributed by:

Northern Tool & Equipment Company, Inc.

Burnsville, Minnesota 55306

www.northerntool.com

Made in China