



COMMERCIAL GRADE 1 HP MEAT GRINDER #22

Owner's Manual



WARNING: Read carefully and understand all ASSEMBLY AND OPERATION INSTRUCTIONS before operating. Failure to follow the safety rules and other basic safety precautions may result in serious personal injury.

Item # 1A-EG722

READ & SAVE THESE INSTRUCTIONS

Congratulations on your Guide Gear purchase.

Take your game to the next level with field-tested Guide Gear products for a confident, competitive edge that strikes the perfect balance between performance and value.

For future reference, please complete the owner's record below:

Serial Number/Lot Date Code: _____

Purchase Date: _____

Save the receipt, warranty, and this manual. It is important that you read the entire manual to become familiar with this product before you begin using it.

This grinder is designed for certain applications only. The Sportsman's Guide and Northern Tool & Equipment Company, Inc. are not responsible for issues arising from modification or improper use of this product such as an application for which it was not designed. We strongly recommend that this product not be modified and/or used for any application other than that for which it was designed.

DO NOT RETURN TO THE STORE

For Warranty Replacement

For assistance with your Guide Gear product, please contact the Sportsman's Guide customer service at 1-800-888-52227:30AM - 6:00PM CST, Mon – Fri or go to <http://www.sportsmanguide.com/customerservice/contactus>

For Missing and Replacement Parts

Please call our toll-free number:

1-800-222-5381

Or email:

customercare@northerntool.com

Monday – Friday 7:00 AM – 6:00 PM CT

Saturday 7:00 AM – 3:00 PM CT

Table of Contents

Intended Use 4

Technical Specifications 4

Important Safety Information 4

Specific Operation Warnings 6

Grounding 7

Extension Cords 8

Main Parts of Grinder 9

Inspection and Unpacking 10

Setting up Meat Grinder 10

Filling the Grinder 11

Cleaning and Maintenance 12

Replacement Parts 12

Limited Warranty 13

Intended Use

Make less work out of processing your own game with this Guide Gear Meat Grinder. It includes all the attachments you need to grind fine or course meat, stuff sausages, or add additional attachments (sold separately) to cube or make sauces. Its dual-capacitor motor has a built-in circuit that helps you get out of a jam. And when you're finished with your work, simply return the cleaned accessories to its built-in drawer, wrap the 4' cord around the integrated cord rail along the side, and it's ready for your next processing project.

The stainless steel housing, auger and blade make for easy cleanup when you're finished processing. All-metal gears make for a smooth performance while improved grease formulation reduces motor noise. We have designed and manufactured the meat grinder to provide elimination of sharp and rough edges to provide ease and safety while cleaning, easy disassembly for removing clogs, cleaning and storing, robust and stable components and structure for long term durability, and a convenient handle for moving and storing. The meat grinder is made of food grade stainless steel that is acid/salt resistant and rust-proof.

Technical Specifications

Property	Specification
Grinding Output	9-9.6 Pounds/Minute, 550-580 Pounds/Hour
Weight	75 Pounds
Dimensions	21" x 19.5" x 10.5"
Grinding Performance	Able to Grind Sinew and thin/soft Bones
Auger Material	Stainless Steel
Blade Material	Stainless Steel
Housing Material	Stainless Steel
Grinding Plates Included	Stainless Steel 3/16" Fine Grinding Plate Stainless Steel 3/8" Coarse Grinding Plate Stainless Steel Sausage Plate
Tubing Stuffers Included	3 Plastic Tubes (15mm, 25mm, and 35mm)
Meat Tray	Stainless Steel 15.5" x 11" x 3"
Food Pusher	Plastic
Wattage/Volts/Horsepower/Hertz	750W/120V/1HP/60HZ
Neck Size	#22
Accessories Included	Sausage Stuffing Plate, Meat Pan, Food Pusher & Knife
Motor	Dual-Capacitor with built in Circuit Breaker
Cord Length	4 Feet

Important Safety Information

WARNING

- Read and understand all instructions. Failure to follow all instructions may result in serious injury or property damage.
- The warnings, cautions, and instructions in this manual cannot cover all possible conditions or situations that could occur. Exercise common sense and caution when using this grinder. Always be aware of the environment and ensure that the grinder is used in a safe and responsible manner.
- Do not allow persons to operate or assemble the grinder until they have read this manual and have developed a thorough understanding of how it works.
- Do not modify this grinder in any way. Unauthorized modification may impair the function and/or

safety and could affect the life of the product. There are specific applications for which the product was designed.

- Use the right grinder for the job. DO NOT attempt to force small equipment to do the work of larger industrial equipment. There are certain applications for which this grinder was designed. This grinder will be safer and do a better job at the capacity for which it was intended. DO NOT use this grinder for a purpose for which it was not intended.
- Industrial or commercial applications must follow OSHA requirements.

WARNING

WORK AREA SAFETY

- Inspect the work area before each use. Keep work area clean, dry, free of clutter, and well-lit. Cluttered, wet, or dark work areas can result in injury. Using the product in confined work areas may put you dangerously close to cutting tools and rotating parts.
- Do not allow the product to come into contact with an electrical source. The grinder is not insulated and contact will cause electrical shock.
- Keep children and bystanders away from the work area while operating the grinder. Do not allow children to handle the product.
- Be aware of all power lines, electrical circuits, water pipes, and other mechanical hazards in your work area. Some of these hazards may be hidden from your view and may cause personal injury and/or property damage if contacted. Do not use during electrical storms.

WARNING

PERSONAL SAFETY

- Stay alert, watch what you are doing, and use common sense when operating the grinder. Do not use the grinder while you are tired or under the influence of drugs, alcohol, or medication. A moment of inattention while operating the grinder may result in serious personal injury.
- Dress properly. Do not wear loose clothing, dangling objects, or jewelry. Keep your hair, clothing and gloves away from moving parts. Loose clothes, jewelry, or long hair can be caught in moving parts. Air vents on the grinder often cover moving parts and should be avoided.
- Wear the proper personal protective equipment when necessary. Use ANSI Z87.1 compliant safety goggles (not safety glasses) with side shields, or when needed, a face shield. This applies to all persons in the work area.
- Do not overreach. Keep proper footing and balance at all times.
- Do not use the grinder when tired or under the influence of drugs, alcohol or medication.

CAUTION

PRODUCT USE AND CARE

- Do not force the grinder. Grinders are safer and do a better job when used in the manner for which they are designed. Plan your work, and use the correct product for the job.
- Check for damaged parts before each use. Carefully check that the product will operate properly

and perform its intended function. Replace damaged or worn parts immediately. Never operate the product with a damaged part.

- Do not use a product with a malfunctioning switch. Any power grinder that cannot be controlled with the power switch is dangerous and must be repaired by an authorized service representative before using.
- Disconnect the power supply from the product and place the switch in the locked or off position before removing blade, making any adjustments, changing accessories, cleaning or storing the grinder. Such preventive safety measures reduce the risk of starting the grinder accidentally.
- Store the product when it is not in use. Store it unplugged in a dry, secure place out of the reach of children. Inspect the grinder for good working condition prior to storage and before re-use.
- Use only accessories that are recommended by the manufacturer for use with your product. Accessories that may be suitable for one grinder may create a risk of injury when used with another grinder.
- Do not leave the grinder running unattended.

Specific Operation Warnings

WARNING

- Avoid contact with moving parts. Never put your fingers near the blade while it is operation.
- Never put the grinder near a hot burner, in an oven, or in a dishwasher. Grinder parts are not dishwasher safe.
- Do not use grinder outdoors. This grinder is intended for household use only.
- Do not let cord hang over the edge of a table or counter, come into contact with sharp edges, or touch hot surfaces. Do not let cord become kinked or trapped under the grinder. Do not let the cord wind around the grinder.
- Place the grinder on a firm and stable surface away from the edge of the worktop. Never use the grinder unless it is fully upright and completely assembled.
- Do not use in wet areas. Do not put grinder in water or other liquids. Do not operate grinder with wet hands or while standing on a wet floor. Do not use grinder if it is wet.
- Never use abrasive cleaning agents or abrasive cloths when cleaning the unit.
- Use the grinder to cut only designated food. Do not attempt to grind frozen food, bones, cardboard, plastic, etc.
- This grinder has a sharp blade. Be careful when removing food from meat grinder. Never use fingers to scrape food away from discharge disc while appliance is operating. Serious cuts or injury will result.
- Clean grinder and blade according to instructions.
- Never move meat grinder when in use. When lifting grinder, carefully position your body to avoid contact with the blade.
- Use protective cut-resistant gloves whenever handling blades.
- Avoid bumping or impacting meat grinder.
- To disconnect, turn meat grinder off, then remove plug from outlet.

- Always use meat grinder in accordance with all applicable local, state and federal fire codes.
- Do not insert any metallic objects into the meat grinder.

Grounding

⚠ WARNING

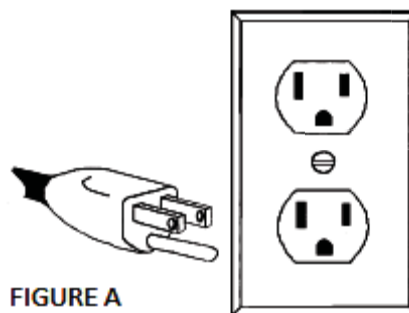
- This grinder must be grounded while in use to protect the operator from electrical shock. This unit is equipped with an electrical cord that has an equipment grounding conductor and a grounding plug. The plug **MUST** be plugged into a matching receptacle that is properly installed and grounded in accordance with ALL local codes and ordinances.
- **DO NOT MODIFY THE PROVIDED PLUG.** If it will not fit the receptacle, have the proper receptacle installed by a qualified electrician.
- **CHECK** with a qualified electrician or service person if you do not completely understand the grounding instructions, or if you are not sure the grinder is properly grounded.

Grounded Grinders: Grinders with 3-Prong Plugs

Grinders marked with **Grounding Required** have a 3-wire cord and 3-prong grounding plug. The plug must be connected to a properly grounded outlet. If the grinder should electrically malfunction or break down, grounding provides a low resistance path to carry electricity away from the user, reducing the risk of electric shock. (See Figure A.)

The grounding prong in the plug is connected through the green wire inside the cord to the grounding system in the grinder. The green wire in the cord must be the only wire connected to the grinder's grounding system and must never be attached to an electrically live terminal.

Your grinder must be plugged into an appropriate outlet, properly installed and grounded in accordance with all codes and ordinances. The plug and outlet should look like those in the following illustration.



Double Insulated Grinders: Grinders with Two-Prong Plugs

Grinders marked **Double Insulated** do not require grounding. They have a special double insulation system which satisfies OSHA requirements and complies with the applicable standards of Underwriters Laboratories, Inc., the Canadian Standard Association, and the National Electrical Code. (See Figure B.)

Double insulated grinders may be used in either of the 120 volt outlets shown in the following illustration.

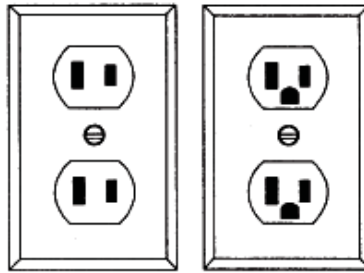


FIGURE B

Extension Cords

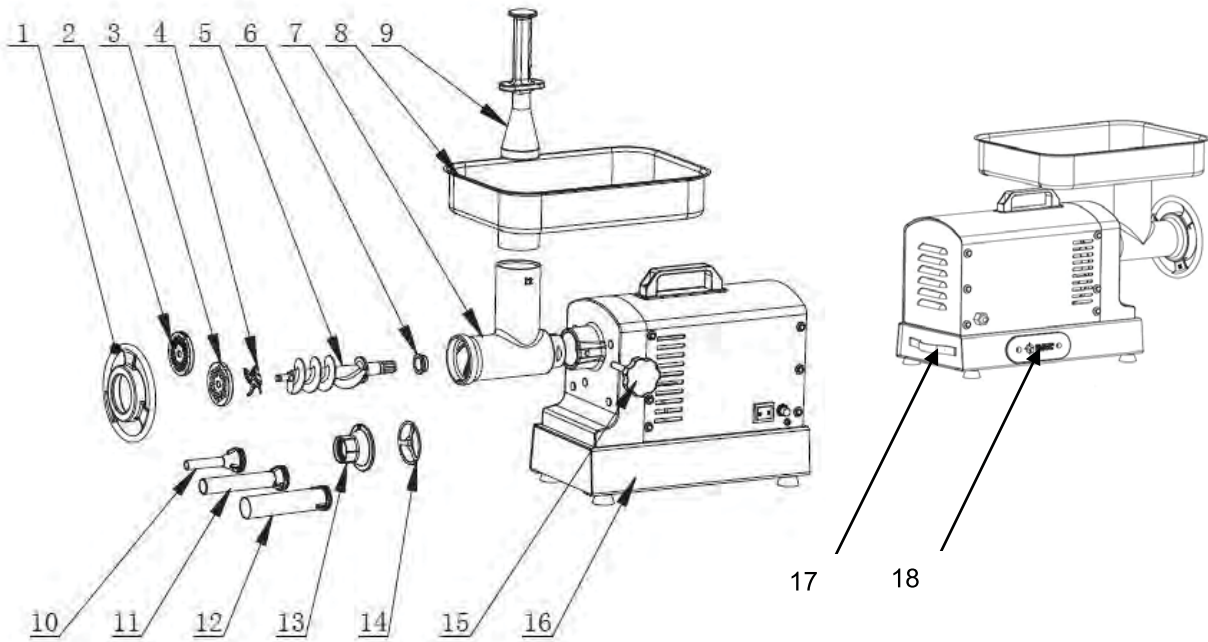
⚠ WARNING

- **USE A PROPER EXTENSION CORD.** Make sure your extension cord is in good condition. When using an extension cord, be sure to use one heavy enough to carry the current your product will draw. An undersized cord will cause a drop in line voltage, resulting in loss of power and cause overheating.
- Be sure your extension cord is properly wired and in good condition. Always replace a damaged extension cord or have it repaired by a qualified person before using it. Protect your extension cords from sharp objects, excessive heat and damp or wet areas.
- Grounded grinders require a 3-wire extension cord. Double Insulated grinders can use either a 2- or 3-wire extension cord.
- As the distance from the supply outlet increases, you must use a heavier gauge extension cord. Using extension cords with inadequately sized wire causes a serious drop in voltage, resulting in loss of power and possible grinder damage.
- The smaller the gauge number of the wire, the greater the capacity of the cord. For example, a 14-gauge cord can carry a higher current than a 16-gauge cord. Minimum extension cord wire size is shown in the following table:

Minimum Wire Size Of Extension Cords				
Nameplate AMPS	Cord Length			
	25'	50'	100'	150'
0-6	18 AWG	16 AWG	16 AWG	14 AWG
6-10	18 AWG	16 AWG	14 AWG	12 AWG
10-12	16 AWG	16 AWG	14 AWG	12 AWG
12-16	14 AWG	12 AWG	NOT RECOMMENDED	

- When using more than one extension cord to make up the total length, make sure each cord contains at least the minimum wire size required.
- If you are using one extension cord for more than one grinder, add the nameplate amperes and use the sum to determine the required minimum cord size.
- Make sure your extension cord is properly wired and in good electrical condition. Always replace a damaged extension cord or have it repaired by a qualified electrician before using it.
- Protect your extension cords from sharp objects, excessive heat, and damp or wet areas.

Main Parts of Grinder



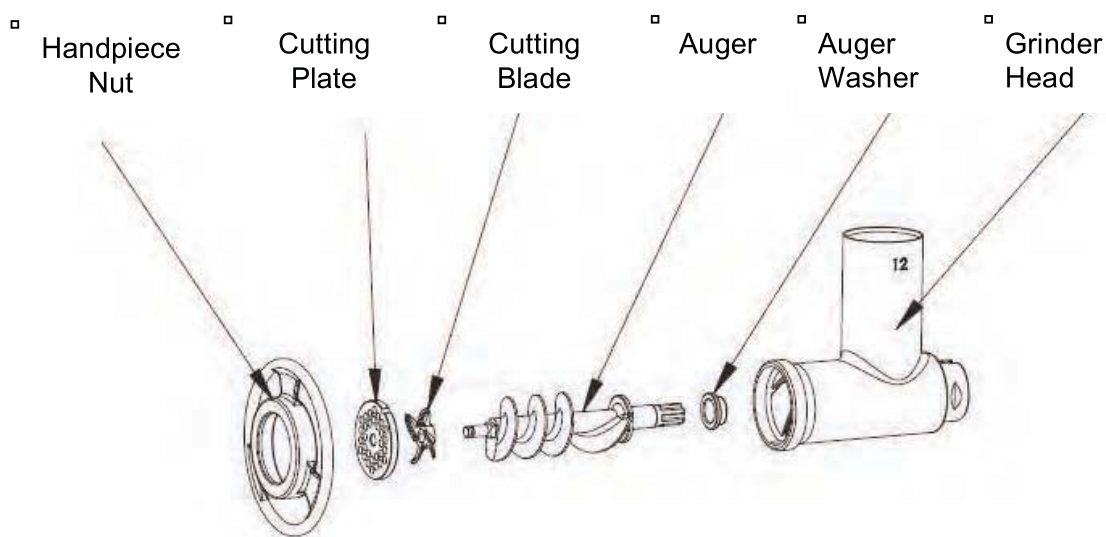
1	Handpiece Nut	10	15mm Stuffing Tube
2	3/16" Grinding Plate	11	25mm Stuffing Tube
3	3/8" Grinding Plate	12	33mm Stuffing Tube
4	Cutting Blade/Knife	13	Stuffing Connection Plate
5	Auger	14	Stuffing Plate
6	Auger Washer	15	Knob
7	Grinder Head	16	Housing
8	Tray	17	Storage Drawer
9	Food pusher	18	Cord Storage

Inspection and Unpacking

1. Inspect the package carefully upon receipt. If there are signs of damage to the packaging, carefully check contents to ensure there are no missing or damaged parts. Report any issues within 3 days from the receipt date.
2. Put the box on a large, sturdy flat surface.
3. In the unlikely event that the grinder must be returned, please repack, ensuring that you do not turn the packed goods upside down! When transporting the package make sure its four main points are firmly secured (maintain the goods parallel to the ground).
4. We suggest you save all the packing material if future shipping of the machine is needed.
5. Keep all plastic bags away from children.

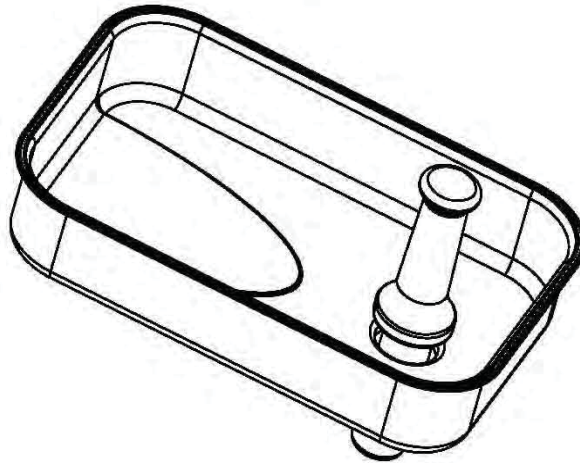
Setting up Meat Grinder

1. The work surface where the meat grinder will be located must be suitable for the size and weight of the appliance. The work surface must be level and dry. Store/use grinder within a temperature range of 41°- 95° Fahrenheit.
2. Grinder should be plugged into properly grounded outlets only.
3. Before using the appliance, all removable components must be secured in position.
4. Mount the grinder head and lock it into position using the handle located on the side of the unit.
5. Mount the auger, blade and plate, and then screw on the hand piece nut.
6. Install grinder head into body, and install the knob into the hole of the front cover.
7. Install auger washer & auger into grinder head and make sure the placement of knob is right.
8. Install cutting blade on auger and then install plate.
9. The handpiece nut secures all the components.



Filling the Grinder

1. When using the grinder, it is important that you stand in the correct position. Do not position yourself so that any part of your body comes in direct contact with the grinder when working.
2. The grinder must be filled when working.
3. Tighten the hand piece nut. Do not tighten excessively.
4. Place the food in the tray.
5. Start the grinder using the start button.
6. Raise the food pusher; feed the meat into the tube. Do not force the meat into the opening.
7. If the meat is suitably cut beforehand there should be no problems feeding the meat through. However, if there are problems, tighten the lock nut until the meat is cut to desired size. It is also recommended that the meat be very cold (not frozen) to reduce clogging.
8. In order to maintain the plate and blade make sure to turn off the grinder after all meat has gone through and ensure that the blade and plate are always coupled.
9. Press the stop button when you have finished using the appliance, then strip the appliance and thoroughly clean both the opening and all other components.



Cleaning and Maintenance

WARNING

Always be as thorough as possible when cleaning and sanitizing components. Any part exposed to raw meat may harbor or develop bacteria, potentially causing illness or death. When cleaning with sanitizers, always follow the manufacturer's recommendations. Never use products that cause exposed surface to render meat unsafe for consumption. Failure to follow this warning may lead to illness or death!

- Clean appliance after each use.
- Never clean the meat grinder with a pressurized water-jet, industrial cleaner, or any other type of cleaning utensil that could damage the surface of the appliance.
- Do not immerse motor housing in water. Wipe with damp cloth.
- Before cleaning, be sure to unplug the meat grinder from the power source.
- Do not use bleaching solutions containing chlorine as this will discolor aluminum surfaces.
- Before servicing the appliance, be sure to unplug the meat grinder from the power source.
- Periodically check the appliance for wear and tear.

To clean the meat grinder, do the following.

1. Remove the food pusher and food tray.
2. To remove grinding plate easily, knock grinder head on a hard surface with grinding plate face up.
3. Remove food particles.
4. Wash all components using warm water and a neutral detergent.
5. Clean motor housing with a damp cloth.
6. Make sure all parts are completely dry before remounting them.

Replacement Parts

- For replacement parts and technical questions, please call Customer Service at **1-888-326-8502** or email at parts@uriahproducts.com.
- Not all product components are available for replacement. The illustrations provided are a convenient reference to the location and position of parts in the assembly sequence.
- When ordering parts, the following information will be required: item description, item model number, item serial number/item lot date code, and the replacement part reference number.
- The distributor reserves the rights to make design changes and improvements to product lines and manuals without notice.

Limited Warranty

The Sportsman's Guide and Northern Tool and Equipment Company, Inc. ("We" or "Us") warrants to the original purchaser only ("You" or "Your") that the Guide Gear product purchased will be free from material defects in both materials and workmanship, normal wear and tear excepted, for a period of **five years** from date of purchase. The foregoing warranty is valid only if the installation and use of the product is strictly in accordance with product instructions. There are no other warranties, express or implied, including the warranty of merchantability or fitness for a particular purpose. If the product does not comply with this limited warranty, Your sole and exclusive remedy is that We will, at our sole option and within a commercially reasonable time, either replace the product or product component without charge to You or refund the purchase price (less shipping). This limited warranty is not transferable.

Limitations on the Warranty

This limited warranty does not cover: (a) normal wear and tear; (b) damage through abuse, neglect, misuse, or as a result of any accident or in any other manner; (c) damage from misapplication, overloading, or improper installation; (d) improper maintenance and repair; and (e) product alteration in any manner by anyone other than Us, with the sole exception of alterations made pursuant to product instructions and in a workmanlike manner.

Obligations of Purchaser

You must retain Your product purchase receipt to verify date of purchase and that You are the original purchaser. To make a warranty claim, contact Us at 1-888-326-8502, identify the product by make and model number, and follow the claim instructions that will be provided. The product and the purchase receipt must be provided to Us in order to process Your warranty claim. Any returned product that is replaced or refunded by Us becomes our property. You will be responsible for return shipping costs or costs related to Your return visit to a retail store.

Remedy Limits

Product replacement or a refund of the purchase price is Your sole remedy under this limited warranty or any other warranty related to the product. We shall not be liable for: service or labor charges or damage to Your property incurred in removing or replacing the product; any damages, including, without limitation, damages to tangible personal property or personal injury, related to Your improper use, installation, or maintenance of the product or product component; or any indirect, incidental or consequential damages of any kind for any reason.

Assumption of Risk

You acknowledge and agree that any use of the product for any purpose other than the specified use(s) stated in the product instructions is at Your own risk.

Governing Law

This limited warranty gives You specific legal rights, and You also may have other rights which vary from state to state. Some states do not allow limitations or exclusions on implied warranties or incidental or consequential damages, so the above limitations may not apply to You. This limited warranty is governed by the laws of the State of Minnesota, without regard to rules pertaining to conflicts of law. The state courts located in Dakota County, Minnesota shall have exclusive jurisdiction for any disputes relating to this warranty.



Distributed by:

The Sportsman's Guide

And

Northern Tool & Equipment Company, Inc.

Burnsville, Minnesota 55306

www.sportsmansguide.com www.northerntool.com