



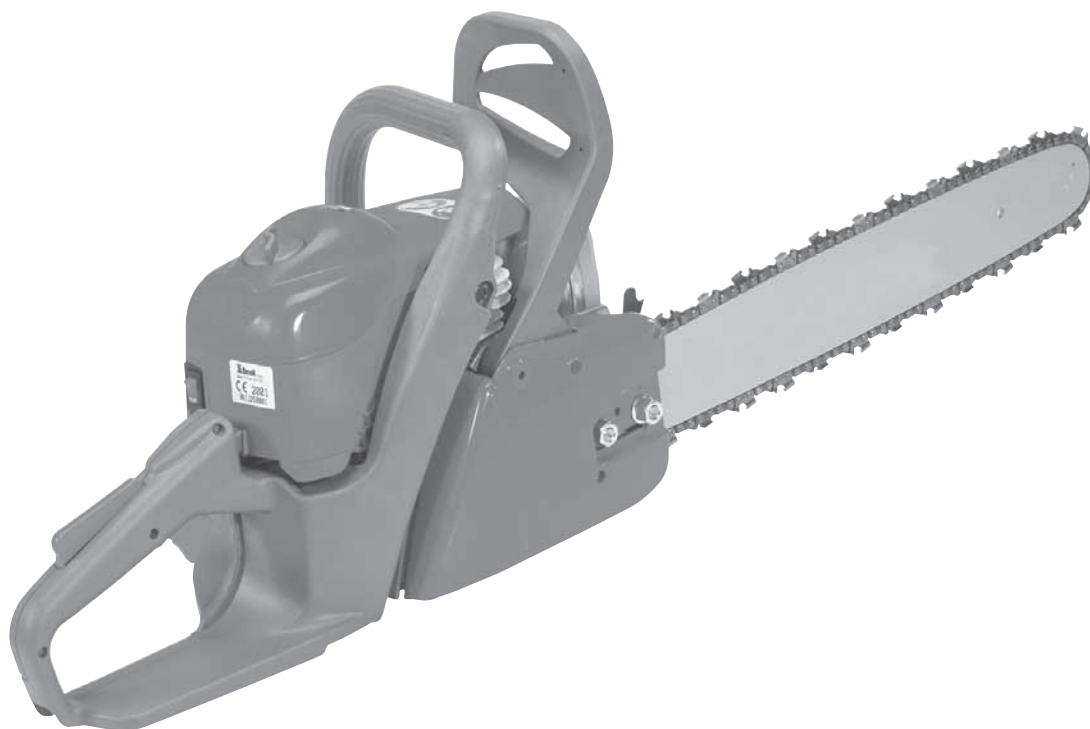
our **power**, your **passion**

MT 5200 (3.15 cu.in)

en OPERATOR'S INSTRUCTION MANUAL

fr MANUEL D'UTILISATION ET D'ENTRETIEN

es MANUAL DE INSTRUCCIONES



EN - MT 5200 chain saw is for occasional use only

FR - Tronçonneuse MT 5200 est à usage occasionnel seulement

ES - Motosierra MT 5200 es sólo para uso ocasional



To correctly use the chainsaw and prevent accidents, do not start work without having first carefully read this manual. You will find explanations concerning the operation of the various parts plus instructions for necessary checks and relative maintenance.

Note: Illustrations and specifications in this manual may vary according to Country requirements and are subject to change without notice by the manufacturer.

THE OPERATOR'S MANUAL

Your operator's manual is for your protection. READ IT. Keep it in a safe place for reference. Know what you are doing before you begin assembly of the unit. Proper preparation and upkeep go hand-in-hand with satisfactory performance of the saw and safety.

Contact your dealer or the distributor for your area if you do not understand any of the instructions in this manual.

In addition to the operating instructions, this manual contain paragraphs that require your special attention.

Such paragraphs are marked with the symbols described below:

Warning: where there is a risk of an accident or personal injury or serious damage to property.

Caution: where there is a risk of damaging the machine or its individual components.



WARNING - To ensure safe and correct operation of the chainsaw, this operator's manual should always be kept with or near the machine. Do not lend or rent your chainsaw without the operator's instruction manual.



WARNING: Allow only persons who understand this manual to operate your chainsaw.

PRODUCT IDENTIFICATION

Chainsaw Components 4

SAFETY

Understanding Safety Labels 5
 State and Local Requirements 5

SAFETY RULES

Basic Safety Precautions 7
 Fuel Handling 8
 Operation and Safety 8
 Precautions Against Kickback 9
 Precautions to Reduce Vibration Risk 13
 Maintenance Precautions 13

ASSEMBLY

Assembling the Bar and Chain 15

OPERATION

Chain Tension 17
 Breaking-in the Chain 17
 Bucking Spike 18
 Fueling 18
 Chain Oil System 19
 Preparation for Cutting 19
 Starting the Engine 21
 Breaking-in the Engine 22
 Stopping the Engine 23
 Chain Brake Operation 23
 Tree Felling 24
 Bucking 25
 Limbing and Pruning 27

MAINTENANCE

Maintenance Chart 29
 Chain Maintenance 30
 Guide Bar Maintenance 31
 Carburetor Adjustment 31
 Fuel Filter 32
 Air Filter 32
 Starter Unit 32
 Engine 33
 Spark Plug 33
 Spark Arresting Muffler 33
 Chain Brake 34
 Oil Pump (Automatic/Adjustable) 34

TROUBLESHOOTING

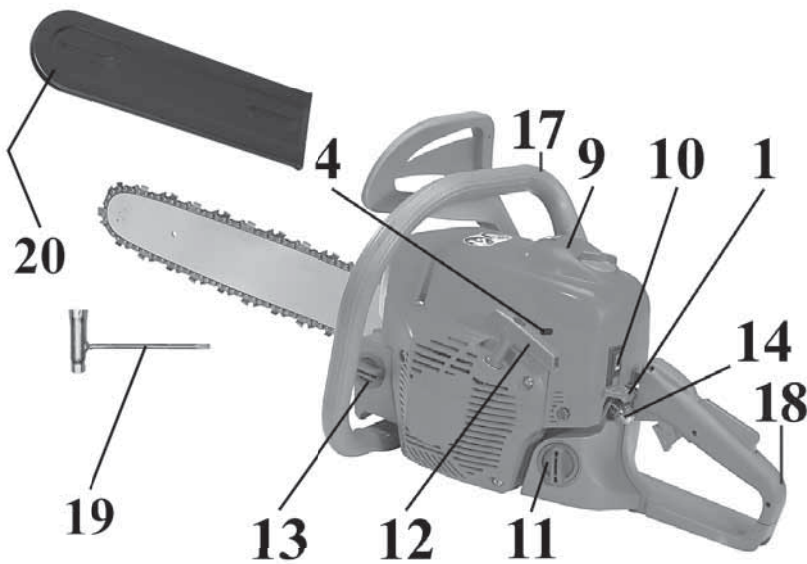
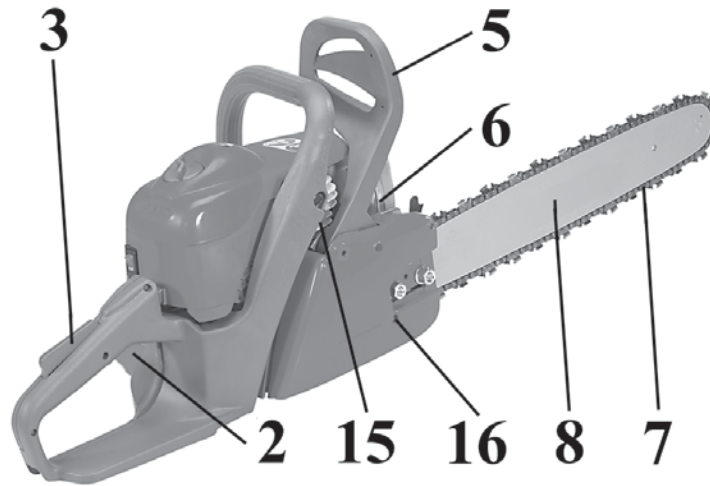
Using Troubleshooting Chart 35

STORAGE

Storing Chainsaw 36

TECHNICAL DATA

MT 5200 36



Chainsaw Components

- | | |
|----------------------------------|------------------------------------|
| 1 - Choke lever | 11 - Fuel tank cap |
| 2 - Throttle trigger | 12 - Starter handle |
| 3 - Throttle trigger lockout | 13 - Oil tank cap |
| 4 - Carburetor adjustment screws | 14 - Primer bulb |
| 5 - Inertial brake lever | 15 - Decompression valve |
| 6 - Exhaust muffler | 16 - Lateral chain tensioner screw |
| 7 - Chain | 17 - Front handle |
| 8 - Guide bar | 18 - Rear handle |
| 9 - Air filter cover | 19 - Combination Wrench |
| 10 - On/off switch | 20 - Bar Cover |

Understanding Safety Labels



- This symbol indicates Warning and Caution.



- Wear safety strong shoes or boots having skid-proof sole and anti-piercing insert.



- Your manual contains special messages to bring attention to potential safety concerns, machine damage as well as helpful operating and servicing information. **PLEASE READ ALL THE INFORMATION CAREFULLY TO AVOID INJURY AND MACHINE DAMAGE.**



- **WARNING!** Beware of Kickback. Tip contact may cause the guide bar to move suddenly upward and backward, which may cause serious injury.



- Wear eye, hearing and head protection when operating this equipment.



- Tip contact may cause the guide bar to move suddenly upward and backward, which may cause serious injury.



- Wear non-slip, heavy-duty protective gloves when handling the chainsaw and saw chain.



- Always hold saw properly with both hands.



- Measured maximum kickback value without chain brake for the bar and chain combination on the label.

State and Local Requirements

Your saw is equipped with a temperature limiting muffler, a spark arresting screen and dual bucking spikes in order to comply with the requirements of SAE Recommended Practice J335 and California Codes 4442 and 4443. **All national forest land and land managed by the states of California, Maine, Washington, Idaho, Minnesota, New Jersey and Oregon require internal combustion engines to be equipped with a spark arrester screen by law. Other states and federal agencies are enacting similar regulations.** If you operate a chainsaw in a state or locale where such regulations exist, you are legally responsible for maintaining the operating condition of these parts. Failure to do so is a violation of a law. **Spark arrester maintenance is described in the Maintenance-Spark Arresting Muffler Section of the manual.**

Note: When using a chainsaw for logging purposes, refer to Code of Federal Regulations, Parts 1910 and 1928.



WARNING: The ignition system of your unit produces an electromagnetic field of a very low intensity. This field may interfere with some pacemakers. To reduce the risk of serious or fatal injury, persons with pacemaker should consult their physician and the pacemaker manufacturer before operating this tool.



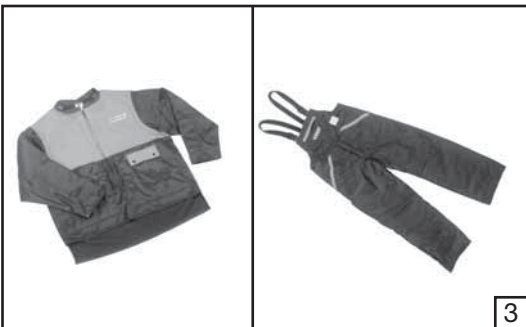
WARNING: Muffler surfaces are very hot during and after operation of the chainsaw, keep all body parts away from the muffler. Serious burns may occur if contact is made with the muffler.



WARNING: Exposure to vibrations through prolonged use of gasoline powered hand tools could cause blood vessel or nerve damage in the fingers, hands, and wrists of people prone to circulation disorders or abnormal swellings. Prolonged use in cold weather has been linked to blood vessel damage in otherwise healthy people. If symptoms occur such as numbness, pain, loss of strength, change in skin color or texture, or loss of feeling in the fingers, hands, or wrists, discontinue the use of this tool and seek medical attention.



WARNING: The engine exhaust from this product contains chemicals known to the State of California to cause cancer, birth defects or other reproductive harm. Operate your chainsaw outdoors only in a well ventilated area.



Basic Safety Precautions

- Read this manual carefully until you completely understand and can follow all safety rules, precautions, and operating instructions before attempting to use the unit.
- Restrict the use of your saw to adult users who understand and can follow safety rules, precautions, and operating instructions found in this manual. Minors should never be allowed to use a chainsaw.
- Do not handle or operate a chainsaw when you are fatigued, ill, or upset, or if you have taken alcohol, drugs, or medication. You must be in good physical condition and mentally alert. Chainsaw work is strenuous. If you have any condition that might be aggravated by strenuous work, check with your doctor before operating a chainsaw (Fig. 1). Be more cautious before rest periods and towards the end of your shift.
- Keep children, bystanders, and animals a minimum of 35 feet (10 meters) away from the work area. Do not allow other people or animals to be near the chainsaw when starting or operating the chainsaw (Fig. 2).
- Major cases of chainsaw accidents happen when the chain hits the operator. While working with the chainsaw, always use safety protective approved clothing. The use of protective clothing does not eliminate injury risks, but reduces the injury effects in case of accident. Consult your trusted supplier to choose equipment in compliance with legislation. The clothing must be proper and not an obstacle. Wear adherent anti-cut clothing. **Anti-cut jackets (Fig.3), dungarees (Fig.3) and leggings are ideal.** Do not wear clothes, scarves, ties or bracelets that may get stuck in wood or twigs. Tie up and protect long hair (example with foulards, cap, helmets, etc.). **Safety shoes or boots having skid-proof sole and anti-piercing insert (Fig.4). Wear protective helmet (Fig.5) in places where there can be falling objects. Wear protective goggles or face screens! Use protections against noises: for example noise reduction ear guards (Fig.5) or earplugs.** The use of protections for the ear requests much more attention and caution, because the perception of danger audio signals (screaming, alarms, etc.) is limited. **Wear anti-cut gloves (Fig.6, page 8).**
- Only loan your saw to expert users who are completely familiar with saw operation and correct use. Give other users the manual with operating instructions, which they have to read before using the saw.
- Check the chainsaw each day to ensure that each device, whether for safety or otherwise, is functional.
- Never use a damaged, modified, or improperly repaired or assembled chainsaw. Do not remove, damage or deactivate any of the safety devices. Only use bars of the length indicated in the table (page 13). Always replace bar, chain, hand guard, or chain brake immediately if it becomes damaged, broken or is otherwise removed.
- Carefully plan your sawing operation in advance. Do not start cutting until you have a clear work area, secure footing, and, if you are felling trees, a planned retreat path.
- All saw service, other than the operations shown in the present manual, have to be performed by competent personnel.
- The chainsaw must only be used for cutting wood. It is unadvisable to cut other types of material.
- It is unadvisable to hitch tools or applications to the P.t.o. that are not specified by the manufacturer.



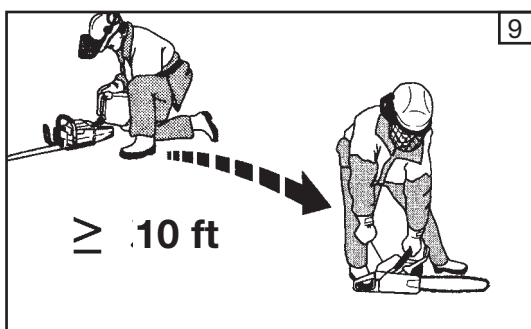
6



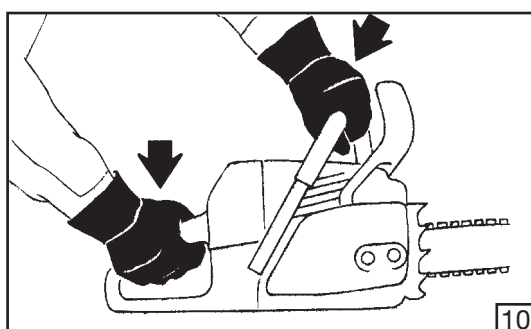
7



8



9



10

Fuel Handling



WARNING: Gasoline is an extremely flammable fuel. Use extreme caution when handling gasoline or fuel mix. Do not smoke or bring any fire or flame near the fuel or the chainsaw (Fig. 7).

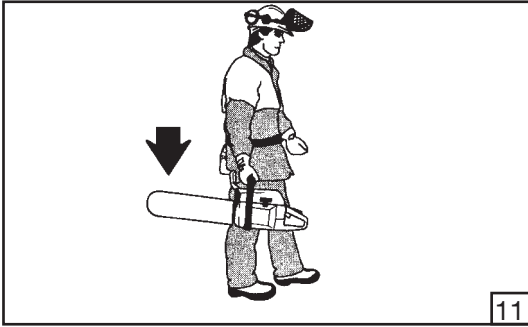
- **To reduce the risk of fire and burn injury, handle fuel with care. It is highly flammable.**
- Mix and store fuel in a container approved for gasoline (Fig. 8).
- Mix fuel outdoors where there are no sparks or flames.
- Select bare ground, stop engine, and allow to cool before refueling.
- Loosen fuel cap slowly to release pressure and to keep fuel from escaping around the cap.
- Tighten fuel cap securely after refueling. Unit vibration can cause an improperly tightened fuel cap to loosen or come off and spill quantities of fuel.
- Wipe spilled fuel from the unit. Move 10 feet (3m) away from refueling site before starting engine (Fig. 9).
- Never attempt to burn off spilled fuel under any circumstances.
- Do not smoke while handling fuel or while operating the saw.
- Store fuel in a cool, dry, well ventilated place.
- Never place the saw in a combustible area such as dry leaves, straw, paper, etc.
- Store the unit and fuel in an area where fuel vapors cannot reach sparks or open flames from water heaters, electric motors or switches, furnaces, etc.
- Never take the cap off the tank when the engine is running.
- Never use fuel for cleaning operations.
- Take care not to get fuel on your clothing.

Operation and Safety



WARNING: Always hold the chainsaw with both hands when the engine is running. Use a firm grip with thumbs and fingers encircling the chainsaw handles (Fig. 10).

- Keep all parts of your body away from the saw chain when the engine is running.
- Always carry the chainsaw with the engine stopped and chain brake engaged, the guide bar and saw chain to the rear, and the muffler away from your body. When transporting your chainsaw, use the appropriate guide bar scabbard (Fig. 11). When transporting in a vehicle, keep chain and bar covered with the chain guard. Properly secure your saw to prevent turnover, fuel spillage and damage to the saw.
- Apply chain brake prior to any repositioning of the operator in the cutting area.
- **Do not operate a chainsaw with one hand!** Serious injury to the operator, helpers, bystanders, or any combination of these persons may result from one-handed operation. **A chainsaw is intended for two-handed use.**
- Before you start the engine, make sure the saw chain is not contacting any object. Never try to start the saw when the guide bar is in a cut.
- Shut off the engine before setting down the saw. Do not leave the engine running unattended.



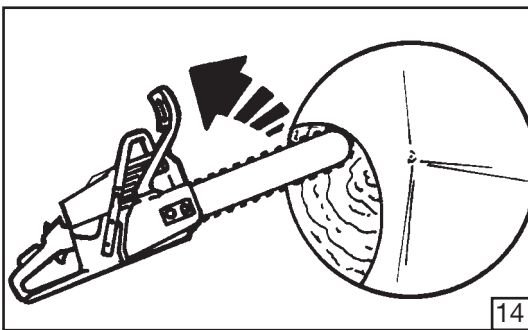
11



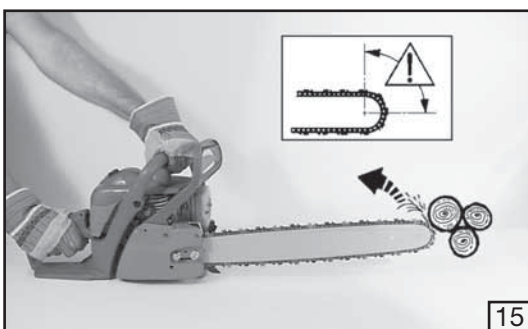
12



13



14



15

- As an additional safety precaution, apply the chain brake prior to setting down the saw.
- Only use the chainsaw in well-ventilated places, do not operate the chainsaw in explosive or flammable atmospheres or in closed environments (Fig. 12). Beware of carbon monoxide poisoning.
- Do not operate saw from a ladder or in a tree. Always cut from a firm-footed and safe position.
- Do not put pressure on the saw at the end of the cut. Applying pressure can cause you to lose control when the cut is completed.
- Do not cut near electric cables.
- Keep the handles dry, clean, and free of oil or fuel mixture.
- When the chainsaw is running, grip the front handle firmly with your left hand and the back handle with your right hand (Fig. 10).
- When cutting a limb that is under tension, be alert for springback so you will not be struck when the tension in the wood fibre is released.
- Take great care when cutting small branches or shrubs which can block the chain, be thrown back towards you or cause you to lose your balance.
- Never cut with the chainsaw above shoulder height (Fig. 13).
- Never start up the chainsaw without the chain cover fitted.

Precautions Against Kickback

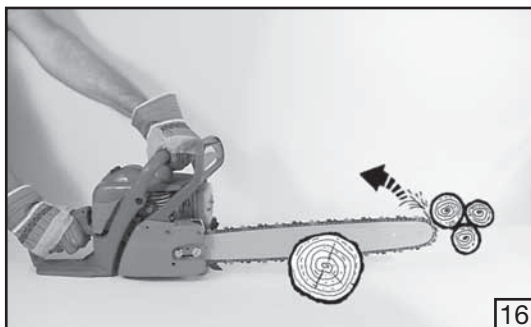


WARNING: Avoid kickback which can result in serious injury. Kickback is the backward, upward or sudden forward motion of the guide bar occurring when the saw chain near the upper tip of the guide bar contacts any object such as a log or branch, or when the wood closes in and pinches the saw chain in the cut. Contacting a foreign object in the wood can also result in loss of chainsaw control.

- **Rotational Kickback** can occur when the moving chain contacts an object at the upper tip of the guide bar. This contact can cause the chain to dig into the object, which stops the chain for an instant. The result is an extremely fast, reverse reaction which kicks the guide bar up and back toward the operator (Fig. 14-15 and Fig. 16 page 10).
- **Pinch-Kickback** can occur when the wood closes in and pinches the moving saw chain in the cut along the top of the guide bar and the saw chain is suddenly stopped. This sudden stopping of the chain results in a reversal of the chain force used to cut wood and causes the saw to move in the opposite direction of the chain rotation. The saw is driven straight back toward the operator.
- **Pull-In** can occur when the moving chain contacts a foreign object in the wood in the cut along the bottom of the guide bar and the saw chain is suddenly stopped. This sudden stopping pulls the saw forward and away from the operator and could easily cause the operator to lose control of the saw.

Avoid Pinch-Kickback:

- Be extremely aware of situations or obstructions that can cause material to pinch the top of or otherwise stop the chain.
- Do not cut more than one log at a time.



- Do not twist the saw as the bar is withdrawn from an undercut when bucking.

Avoid Pull-In:

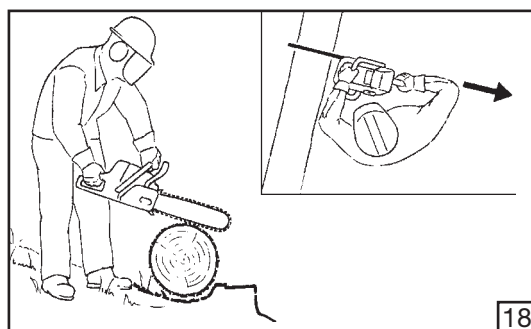
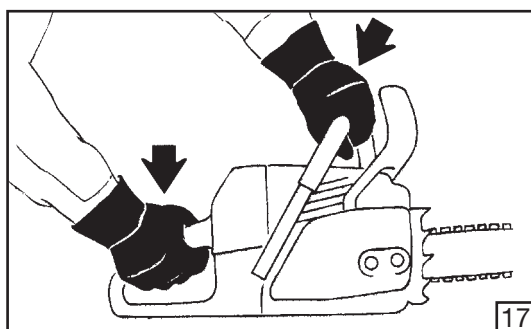
- Always begin cutting with the engine at full speed and the saw housing against wood.
- Use wedges made of plastic or wood. Never use metal to hold the cut open.

Reduce the Risk of Kickback



Recognize that kickback can happen. With a basic understanding of kickback, you can reduce the element of surprise which contributes to accidents.

- Never let the moving chain contact any object at the tip of the guide bar.
- Keep the working area free from obstructions such as other trees, branches, rocks, fences, stumps, etc. Eliminate or avoid any obstruction that your saw chain could hit while you are cutting through a particular log or branch.
- Keep your saw chain sharp and properly tensioned. A loose or dull chain can increase the chance of kickback occurring. Follow manufacturer's chain sharpening and maintenance instructions. Check tension at regular intervals with the engine stopped, never with the engine running. Make sure the chain brake nuts are securely tightened after tensioning the chain.
- Begin and continue cutting at full speed. If the chain is moving at a slower speed, there is greater chance of kickback occurring.
- Cut one log at a time.
- Use extreme caution when re-entering a previous cut.
- Do not attempt cuts starting with the tip of the bar (plunge cuts).
- Watch for shifting logs or other forces that could close a cut and pinch or fall into chain.
- Use the Reduced-Kickback Guide Bar and Low-Kickback Chain specified for your saw.



Maintain Control (Fig.17-18)

- Keep a good, firm grip on the saw with both hands when the engine is running and don't let go. A firm grip will help you reduce kickback and maintain control of the saw. Keep the fingers of your left hand encircling and your left thumb under the front handlebar. Keep your right hand completely around the rear handle whether you are right handed or left handed. Keep your left arm straight with the elbow locked.
- Position your left hand on the front handlebar so it is in a straight line with your right hand on the rear handle when making bucking cuts. Never reverse right and left hand positions for any type of cutting.
- Stand with your weight evenly balanced on both feet.
- Stand slightly to the left side of the saw to keep your body from being in a direct line with the cutting chain.
- Do not overreach. You could be drawn or thrown off balance and lose control of the saw.

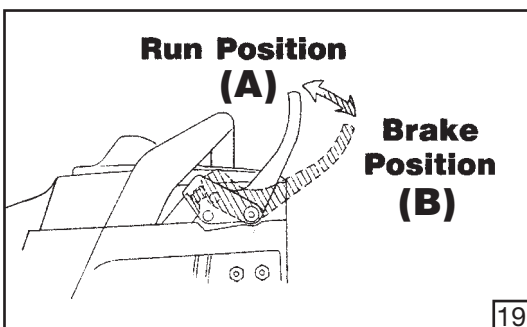
- Do not cut above shoulder height. It is difficult to maintain control of saw above shoulder height.

Kickback Safety Features



WARNING: The following features are included on your saw to help reduce the hazard of kickback; however, such features will not totally eliminate this dangerous reaction. As a chainsaw user, do not rely only on safety devices. You must follow all safety precautions, instructions, and maintenance in this manual to help avoid kickback and other forces which can result in serious injury.

- Reduced-Kickback Guide Bar, designed with a small radius tip which reduces the size of the kickback danger zone on the bar tip. A Reduced-Kickback Guide Bar has been demonstrated to significantly reduce the number and seriousness of kick-backs when tested in accordance with safety requirements for gasoline powered chainsaws as set by ANSI B175.1- 1991.
- Low-Kickback Chain, designed with a contoured depth gauge and guard link that deflect kickback force and allow wood to gradually ride into the cutter. Low-Kickback Chain has met kickback performance requirements when tested on a representative sample of chainsaws below 3.8 cubic inch displacement specified in ANSI B175.1 - 1991.
- Front Hand Guard, designed to reduce the chance of your hand contacting the chain as your hand slips off the front handlebar.
- Position of front and rear handlebars, designed with distance between handles and “in-line” with each other. The spread and “in-line” position of the hands provided by this design work together to give balance and resistance in controlling the pivot of the saw back toward the operator if kick-back occurs.



Chain Brake

Chain brakes are designed to rapidly stop the chain from rotating. When the chain brake lever / hand guard is pushed toward the bar, the chain should stop immediately. **A chain brake does not prevent kickback.**

The chain brake **Run Position (A)** and **Brake Position (B)** are illustrated on Fig. 19.

Chain brake should be cleaned and tested daily. Clean the chain brake per the Maintenance-Chain Brake Section and test per the Operation-Chain Brake Operation Section.



WARNING: Even with proper maintenance, the correct operation at the chain brake under field conditions can not be certified.



WARNING: WE DO NOT REPRESENT AND YOU SHOULD NOT ASSUME THAT THE CHAIN BRAKE WILL PROTECT YOU IN THE EVENT OF A KICKBACK. DO NOT RELY UPON ANY OF THE DEVICES BUILT INTO YOUR SAW. YOU SHOULD USE THE SAW PROPERLY AND CAREFULLY TO AVOID KICKBACK.

Reduced-Kickback Guide Bar and Low-Kickback Chain

Reduced-kickback guide bars and low-kickback saw chains reduce the chance and magnitude of kickback and are recommended. Your saw has a low kickback chain and bar as original equipment. Repairs on a chain brake should be made by an authorized servicing dealer. Take your unit to the place of purchase if purchased from a servicing dealer, or to the nearest authorized service dealer.



WARNING: Computed kickback angle (CKA) listed on your saw and listed in the CKA table below represents angle of kickback your bar and chain combinations will have when tested in accordance with ANSI standard. When purchasing replacement bar and chain, considerations should be given to the lower CKA values. Lower CKA values represent safer angles to the user, higher values indicate more angle and higher kick energies. Computed angles represented indicate total energy and angle associated without activation of the chain brake during kickback. Activated angle represents chain stopping time relative to activation angle of chain break and resulting kick angle of saw. In all cases lower CKA values represent a safer operating environment for the user. The following guide bar and chain combinations meet kickback requirements of ANSI B175.1 when used on saws listed in this manual. Use of bar and chain combinations other than those listed is not recommended and may not meet the CKA requirements per standard.



WARNING: Do not mount a bow guide on any Efco chainsaw. The risk of kickback is increased with a bow guide because of the increased kickback contact area.

Recommended bar and chain combination

Model	Bar Length	Oregon Bar P/N	Chain Pitch	Drive Link Count	Oregon Chain P/N	CKA without Chain Brake
MT 5200	16"	160PXBK095 160SLBK095	.325" x .050"	66	20 BPX 66	MAX 45°
MT 5200	16"	168PXBK095 168SLBK095	.325" x .058"	66	21 BPX 66	
MT 5200	18"	180PXBK095 180SLBK095	.325" x .050"	72	20 BPX 72	
MT 5200	18"	188PXBK095 188SLBK095	.325" x .058"	72	21 BPX 72 33 SL 72	
MT 5200	20"	200PXGK095 200SLGK095	.325" x .050"	78	20 BPX 78	
MT 5200	20"	208PXGK095 208SLGK095	.325" x .058"	78	21 BPX 78 33 SL 78	
MT 5200	20"	208PXGK095 208SLGK095	.325" x .058"	78	21 BPX 78 33 SL 78	



WARNING: The computer derived angles of par. 5.11 of ANSI B 175.1 – 2000 may bear no relationship to actual kickback bar rotation angles that may occur in real life cutting situations.

In addition, features designed to reduce kickback injuries may lose some of their effectiveness when they are no longer in their original condition, especially if they have been improperly maintained.

Compliance with par. 5.11 of ANSI B 175.1 – 2000 does not automatically mean that in a real life kickback the bar and chain will rotate at most 45°.

Precautions to Reduce Vibration Risk

- The chainsaw is provided with anti-vibration (AV) system; never alter or modify it.
- Wear gloves and keep your hands warm.
- Keep the saw chain sharp and the saw, including the AV system, well maintained. A dull chain will increase cutting time, and pressing a dull chain through wood will increase the vibrations transmitted to your hands.
- Maintain a firm grip at all times, but do not squeeze the handles with constant, excessive pressures, take frequent breaks. All the above mentioned precautions do not guarantee that you will not sustain whitefinger disease or carpal tunnel syndrome. Therefore, continual and regular users should monitor closely the condition of their hands and fingers. If any of the above symptoms appear, seek medical advice immediately.

Maintenance Precaution



WARNING: Never operate a chainsaw that is damaged, improperly adjusted, or is not completely and securely assembled.

- Be sure that the saw chain stops moving when the throttle control trigger is released. If the saw chain moves at idle speed, the carburetor may need adjusting, see Operation-Carburetor Adjusting Section. If the saw chain still moves at idle speed after adjustment has been made, contact a Servicing Dealer for adjustment and discontinue use until the repair is made.



WARNING: All chainsaw service, other than items in the Operator's Manual maintenance instructions, have to be performed by competent chainsaw service personnel. (If improper tools are used to remove the flywheel or clutch, or if an improper tool is used to hold the flywheel in order to remove the clutch, structural damage to the flywheel could occur which could subsequently cause the flywheel to burst and serious injury could result.)

- Never modify your saw in any way.
- Keep the handles dry, clean, and free of oil or fuel mixture.

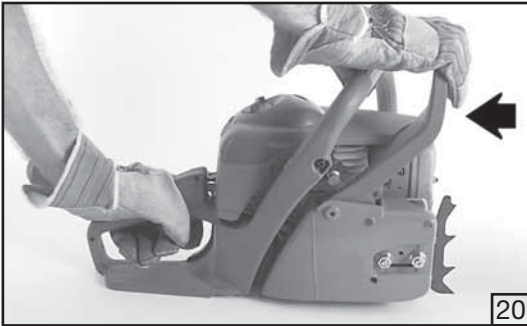


WARNING: Use only accessories and replacement parts recommended.

- Never touch the chain or attempt to service the saw while the engine is running.
- Never use fuel for cleaning operations.
- Keep the chainsaw in a dry place, off the ground with the chain guard on and the tanks empty.
- If your chainsaw is no longer usable, dispose of it properly without damaging the environment by handing it in to your local Dealer who will arrange for its correct disposal.
- Replace immediately any safety device when damaged or broken.



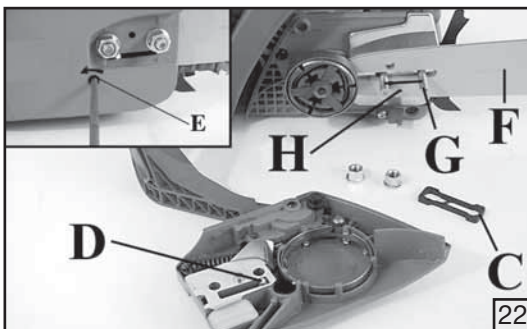
WARNING: The muffler and other parts of the engine (e.g. fins of the cylinder, spark plug) become hot during operation and remain hot for a while after stopping the engine. To reduce risk of burns do not touch the muffler and other parts while they are hot.



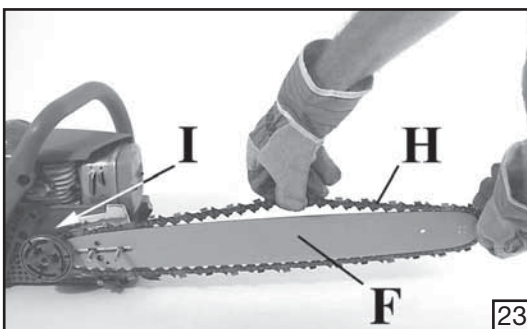
20



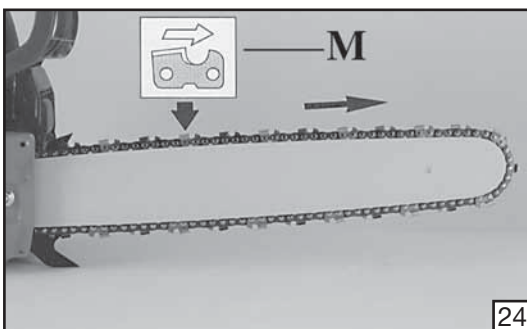
21



22



23



24

Assembling the Bar and Chain



WARNING: Check the chain tension frequently when operating the chainsaw. Never touch or adjust the chain while the engine is running. The saw chain is very sharp, always wear protective gloves when performing maintenance to the chain.

1. Ensure that the chain brake is not set by pulling the chain brake lever/hand guard towards the front handle as shown in Fig. 20. Refer to Safety-Chain Brake and Operation-Chain Brake Sections for additional information.
2. Remove the two (2) bar nuts (A, Fig. 21) and the clutch cover (B).
3. Remove and discard the plastic shipping spacer (C, Fig. 22) that has been installed on the bar studs in place of the bar for shipping purposes.
4. Adjust the chain tensioning pin (D) fully towards the brake band by turning the chain tensioning screw (E) counterclockwise as shown in inset (Fig. 22).
5. The guide bar (F) contains a bar stud slot that fits over the bar studs (G). The guide bar also contains two chain tensioning pin holes (H) and two lubrication holes, one per side. The bar is reversible and either tensioning pin hole may be utilized with the chain tensioning pin.
6. Place the guide bar (F) onto the bar studs (G) as shown in Fig. 22.
7. Position the guide bar (F) tip through the chain (H) loop as shown in Fig. 23. The cutters on the top of the guide bar should face toward the bar nose, in the direction of the chain rotation. See insert (M) in Fig. 24.
8. Fit the chain (H) over the rim sprocket (I) and into bar groove.



CAUTION: Severe damage can occur to the rim sprocket, clutch drum, guide bar and chain, if the chain is not correctly seated into the rim sprocket.

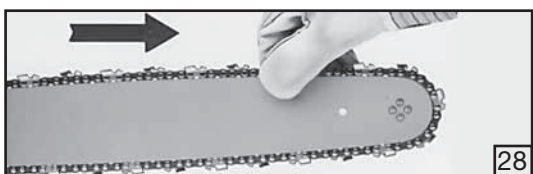
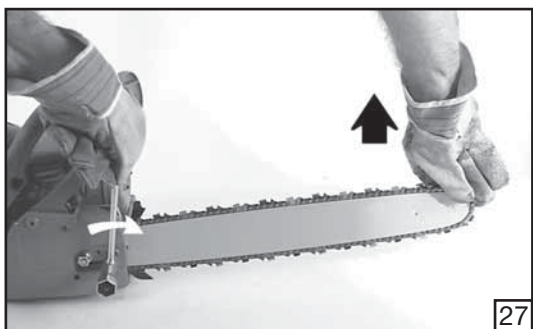
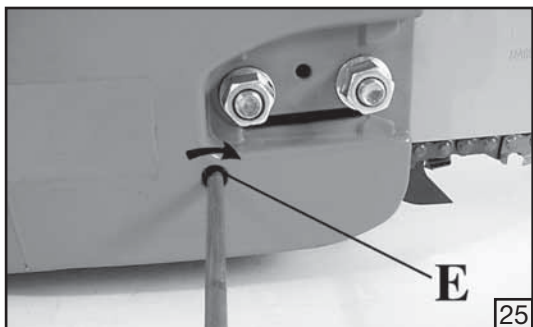
9. Replace the clutch cover (B). Turn the chain tensioning screw (E) clockwise (as shown in Fig. 25, pag. 16) until the chain tensioning pin (D) fits into the chain tensioning pin hole (H). Install the two bar nuts (A). Tighten the bar nuts finger tight only. The bar must be free to move for tension adjustment.



CAUTION: Failure to ensure that the chain tensioning pin is in the chain tensioning pin hole will result in severe damage to the chainsaw during reassembly of the clutch cover.

NOTE: If the clutch cover does not slide on freely, check that the chain brake is not engaged. To disengage chain brake with clutch cover removed, grasp clutch cover as shown in Fig. 20 and pull back on chain brake lever / hand guard.

10. Remove all slack from chain by turning the chain tensioning screw (E) clockwise, assuring that the chain seats into the bar groove during tensioning.
11. Lift the tip of the guide bar up to check for sag, see Fig. 26, pag. 16. Release the tip of the guide bar, and turn the chain tensioning screw (E) 1/2 turn clockwise. Repeat this process until sag does not exist.



12. Hold the tip of the guide bar up and tighten the bar nuts securely as shown in Fig. 27.
13. Chain is correctly tensioned when there is no slack on the underside of the guide bar, the chain is snug, but it can be turned by hand without binding, see Fig. 28. Ensure that the chain brake is not set.

NOTE: If chain is too tight, it will not rotate. Loosen bar nuts slightly and turn adjusting screw 1/4 turn counterclockwise. Lift the tip of the guide bar up and retighten bar nuts.



WARNING: Check the chain tension frequently when operating the chainsaw. Never touch or adjust the chain while the motor is running. The saw chain is very sharp, always wear protective gloves when performing maintenance to the chain.



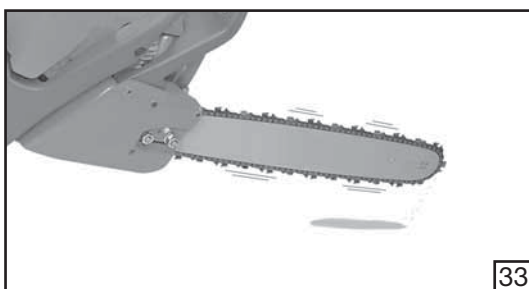
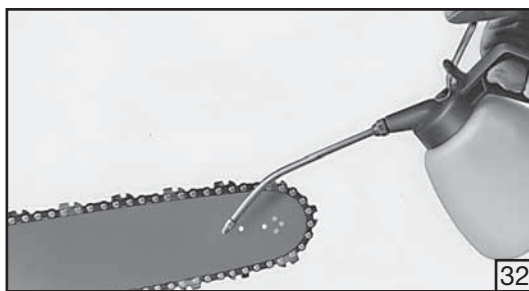
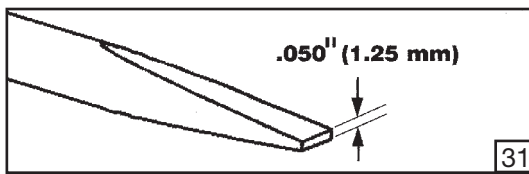
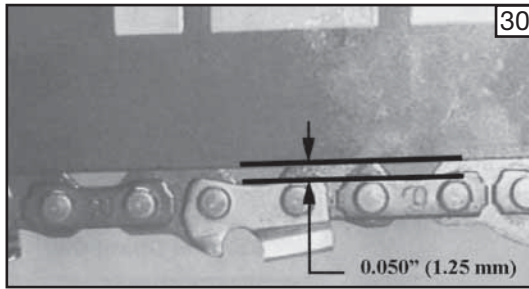
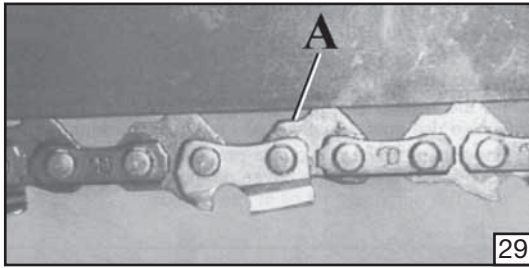
WARNING: The replacement chain must have the same or lower kickback characteristics as that originally supplied.



WARNING: If the saw is operated with a loose chain, the chain could jump off the guide bar and result in serious injury.



WARNING: Never start the saw with the sprocket cover loose.



Chain Tension



WARNING: Never touch or adjust the chain while the motor is running. The saw chain is very sharp, always wear protective gloves when performing maintenance to the chain.

1. **Stop the engine before setting the chain tension.** Loosen the guide bar nuts slightly, turn the chain tensioning screw clockwise to tension the chain. Refer to Assembly-Assembling the Bar and Chain Section. Retighten guide bar nuts. A cold chain is correctly tensioned when there is no slack on the underside of the guide bar, the chain is snug, but it can be turned by hand without binding. For warm chain, see Item 3.
2. Chain must be retensioned whenever the flats (**A**) on the drive link tangs hang out of the bar groove. See Fig. 29.
3. During normal saw operation, the temperature of the chain will increase. The drive link tangs of a correctly tensioned warm chain will hang approximately .050" (1.25 mm) out of the bar groove. See Fig. 30. To help determine the correct warm chain tension, the tip of the combination wrench (Fig. 31) can be used as a guide.



CAUTION: Chain tensioned while warm, may be too tight upon cooling. Check the "cold tension" before next use.



CAUTION: A new chain has to be retensioned more often than one that has been in use for some time.

Breaking-in the Chain

New chains will stretch and must be tightened frequently.

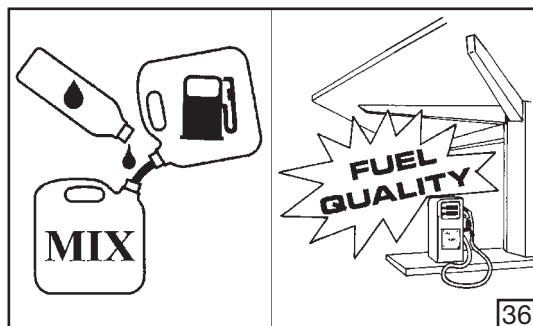
Lift the chain out of the bar groove and lubricate the bar groove with additional oil, see Fig. 32. Place the chainsaw on a piece of cardboard or scrap plywood. Start the chainsaw (refer to the Operation-Starting Engine Section) and allow it to run at moderate speed for approximately one (1) minute. **Stop the engine.** Check that the oil pump is working properly. The cardboard should have excess oil from the chain rotation if the oil pump is working properly, see Fig. 33. Adjust the chain tension (refer to Operation-Chain Tension Section). Start the saw again and make a few cuts in a log to heat up the chain. Stop the engine and re-adjust chain again. Repeat this process until the chain retains proper warm tension adjustment as shown in Fig. 30 in Operation-Chain Tensioning Section. **Never touch the ground with the chain.**



34



35



36



37

Bucking Spike



WARNING: Your chainsaw is fitted with a bucking spike (A, Fig. 34). The bucking spike is very sharp and can cause injury. Be extremely careful when working near the bucking spike.



WARNING: Removal of the bucking spike will violate the saws compliance of SAE J335 and other standards. See Safety-State and Local Requirements.

Fueling (Do Not Smoke!) (Fig. 37)

This product is powered by a 2-cycle engine and requires pre-mixing gasoline and 2-cycle oil. Pre-mix unleaded gasoline and 2-cycle engine oil in a clean container approved for gasoline (Fig. 35).

RECOMMENDED FUEL: THIS ENGINE IS CERTIFIED TO OPERATE ON UNLEADED GASOLINE INTENDED FOR AUTOMOTIVE USE WITH AN OCTANE RATING OF 89 ((R + M) / 2) OR HIGHER (Fig. 36).

Mix 2-Cycle Engine Oil with gasoline according to the instructions on the package. We strongly recommend the use of 2% (1:50) Efco Two Cycle Engine Oil, which is specifically formulated for all Efco air-cooled two-stroke engines.

The correct oil / fuel proportions shown in the table below are suitable when using the Efco Two Cycle Engine Oil or an equivalent high-quality engine oil (JASO specification FD or ISO specification L-EGD). When oil specifications are NOT equivalent or unknown use 4% (1:25) oil / fuel mixing ratio.



CAUTION: DO NOT USE AUTOMOTIVE OIL OR 2-CYCLE OUTBOARD OIL.



CAUTION:

- Match your fuel purchases to your consumption; don't buy more than you will use in one or two months;
- Store gasoline in a tightly-closed container in a cool, dry place.



CAUTION - For the mixture, never use a fuel with an ethanol percentage higher than 10%; gasohol (mixture of gasoline and ethanol) up to 10% ethanol or E10 fuel are acceptable.

When using an Oxygenated Gasoline a good practice of Fuel Management is necessary.

Gasoline Oxygenated with alcohol readily takes/up water when it is present; the water may be condensed out of humid air or be a contaminant in the fuel system, including tank.

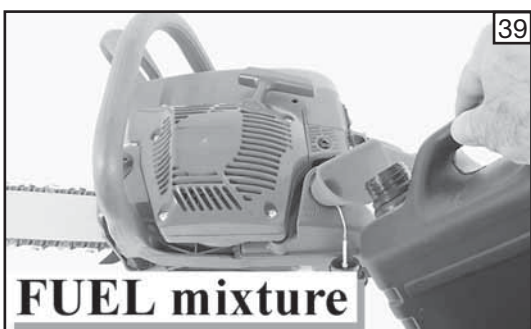
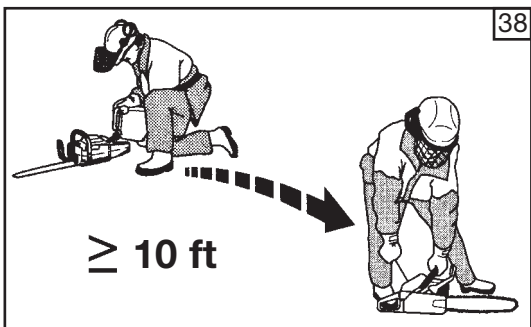
The use of Oxygenated Gasoline may cause the occurrence of vapor-lock easier.

NOTE - Prepare only the quantity of mixture required for immediate use; do not leave fuel in the tank or a container for a long time. We recommend the use of the additive **Emak ADDITIX 2000** code 001000972 if the mixture is to be stored for 30 days.

Alkylate gasoline



CAUTIONS - Alkylate fuels have different density than normal fuel. Therefore engines, set with normal fuel, need different H jet regulation to avoid critical issues. For this operation it's necessary turned at a Licensed Service Dealer.



Fuel Mixture

2-Cycle Engine Oil (25:1) 4%	
Gasoline	Oil
1 Gallon (US)	5.2 oz.
1 Liter	40 cc (40 ml)

High Quality 2-Cycle Engine Oil (50:1) 2%	
Gasoline	Oil
1 Gallon (US)	2.6 oz.
1 Liter	20 cc (20 ml)

Filling the Tank (Fig. 39)

WARNING: Follow safety instruction for fuel handling. Always shut off engine before fueling. Never add fuel to a machine with a running or hot engine. Move at least 10 feet (3m) from refueling site before starting engine (Fig. 38). **DO NOT SMOKE!**

1. Clean surface around fuel cap to prevent contamination.
2. Loosen fuel cap slowly.
3. Carefully pour fuel mixture into the tank. Avoid spillage.
4. Prior to replacing the fuel cap, clean and inspect the gasket.
5. Immediately replace fuel cap and hand tighten. Wipe up any fuel spillage.

NOTE: It is normal for smoke to be emitted from a new engine during and after first use.

WARNING: Check for fuel leaks, if any are found, correct before use. Contact a Servicing Dealer if necessary.

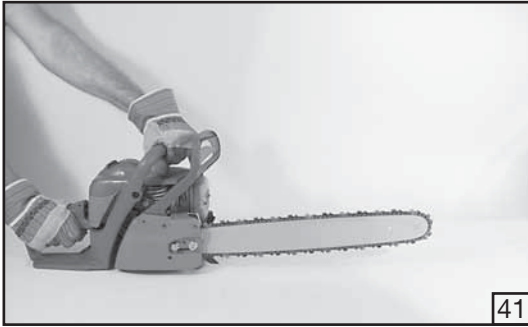
Chain Oil System (Fig. 40)

The bar and chain require continuous lubrication. Lubrication is provided by the automatic oiler system when the oil tank is kept filled. Lack of oil will quickly ruin the bar and chain. Too little oil will cause overheating shown by smoke coming from the chain and/or discoloration of the bar. In freezing weather oil will thicken, making it necessary to thin bar and chain oil with a small amount (5 to 10%) of Diesel Fuel or kerosene. Bar and chain oil must be free flowing for the oil system to pump enough oil for adequate lubrication.

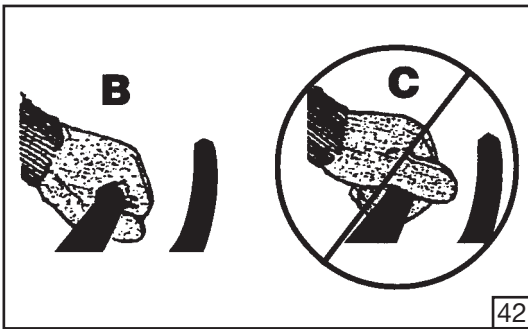
CAUTION: Never use waste oil. Always use biodegradable lubricant that is specific for bar and chain and that is better for the environment and chainsaw's parts.

CAUTION: Do not use dirty, used or otherwise contaminated oils. Damage may occur to the oil pump, bar or chain.

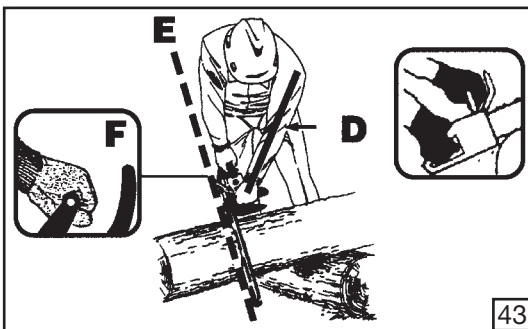
WARNING: Do not use waste oil! Medical studies have shown that renewed contact with waste oil can cause skin cancer.



41



42



43

1. Fill the oil tank every time engine is fueled. Chainsaw should use approximately one tank of oil per tank of fuel.
2. The automatic oil pump is a positive displacement pump operated through gears driven off the clutch drum assembly. The pump will not oil at idle speeds.

Preparation for Cutting

Proper Grip on Handles.

Refer to Safety Section for appropriate Safety Equipment.

1. Wear non-slip gloves for maximum grip and protection.



WARNING: Hold the saw firmly with both hands. Always keep your **LEFT HAND** on the front handlebar and your **RIGHT HAND** on the rear (throttle) handle as shown in Fig. 41, so that your body is to the left of the chain line. Never use a cross-handed grip, or any stance which would place your body or arm across the chain line. Left-handers should follow these instructions too.

2. Maintain a proper grip (B, Fig. 42) on the saw whenever the engine is running. The fingers should encircle the handlebar and the thumb is wrapped under the handlebar. This grip is least likely to be broken (by a kickback or other sudden reaction of the saw). Any grip in which the thumb and fingers are on the same side of the handle (C), is dangerous because a slight kick of the saw can cause loss of control.



WARNING:

Proper Cutting Stance (Fig. 43)

- Weight should be balanced on both feet - feet on solid ground.
- Keep arm with elbow locked in a "straight arm" position (D) to withstand any kickback force.
- Your body should always be to the left of the chain line (E).
- Thumb on underside of handlebar (F).

Basic Cutting Procedure

Practice cutting a few small logs using the following technique to get the "feel" of using your saw before you begin a major sawing operation.

1. Take the proper stance in front of the wood with the saw idling.
2. Accelerate the engine to full throttle just before entering the cut by squeezing the throttle trigger.
3. Begin cutting with the saw against the log.
4. Keep the engine at full throttle the entire time you are cutting.
5. Allow the chain to cut for you; exert only light downward pressure. If you force the cut, damage to the bar, chain, or engine can result.
6. Release the throttle trigger as soon as the cut is completed, allowing the engine to idle. **If you run the saw at full throttle without a cutting load, unnecessary wear or damage can occur to the chain, bar, and engine.**
7. Do not put pressure on the saw at the end of the cut.



Work Area Precautions



WARNING: Cut only wood or materials made from wood. Do not cut metal, plastics, masonry, or non-wood building materials.

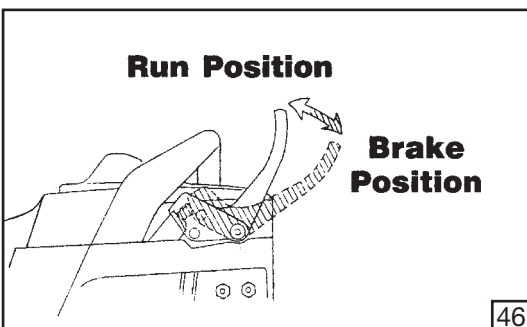
- Never allow children to operate your saw. Only allow others to use this chainsaw who have read this Operator's Manual or received adequate instructions for the safe and proper use of this chainsaw.
- Keep everyone - helpers, bystanders, children, and animals a safe distance from the cutting area (**Fig. 44**). During felling operations, the safe distance should be a least twice the height of the largest trees in the felling area. During bucking operations, keep a minimum distance of 35 feet (10 m) between workers.
- Always cut with both feet on solid ground to prevent being pulled off balance.
- Do not cut above chest height, as a saw held higher is difficult to control against kickback forces.
- Do not fell trees near electrical wires or buildings. Leave this operation for professionals.
- Cut only when visibility and light are adequate for you to see clearly.
- **Do not cut from a ladder, this is extremely dangerous.** Leave this operation for professionals.
- Stop the saw if the chain strikes a foreign object. Inspect the saw and repair parts as necessary.
- Keep the chain out of dirt and sand. Even a small amount of dirt will quickly dull a chain and increase the possibility of kickback.
- Stop the engine before setting the saw down.
- Be particularly cautious and alert while wearing hearing protection because such equipment may restrict your ability to hear sounds indicating danger (calls, signals, warnings, etc).
- Be extremely cautious when working on slopes or uneven ground.
- When a chainsaw is being used, a fire extinguisher should be available.



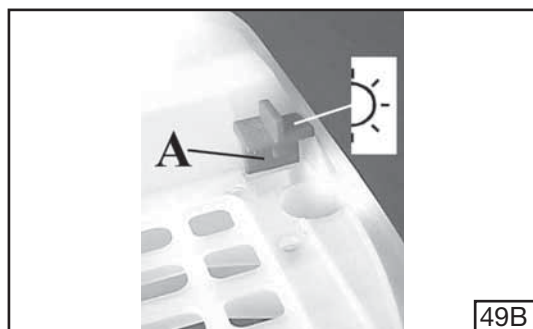
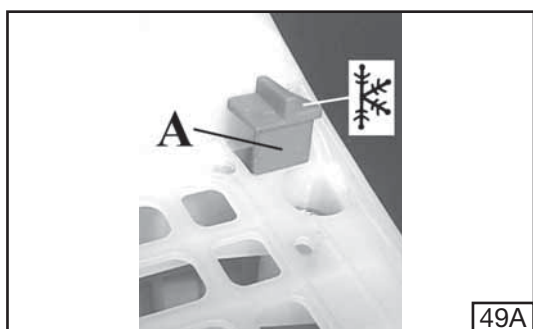
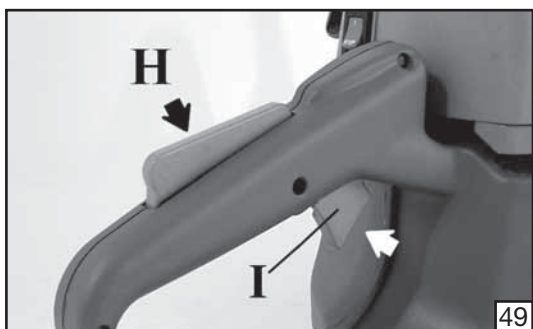
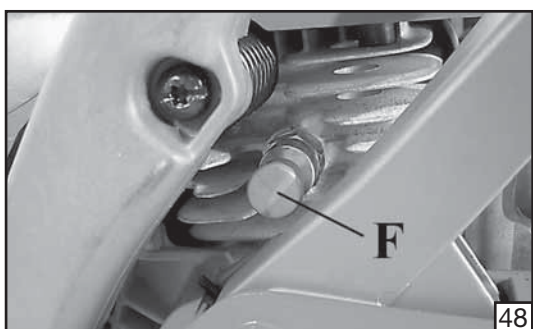
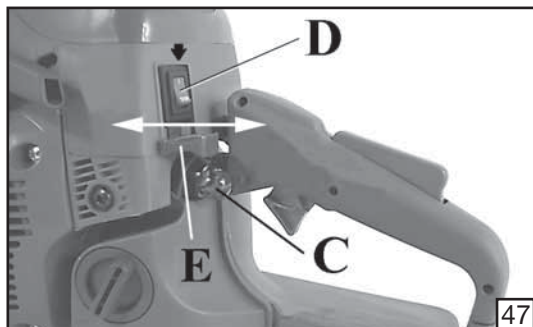
Starting The Engine



WARNING: Keep body to the left of the chain line. Never straddle the saw or chain, or lean over past the chain line. The chain brake must be engaged when starting the saw.



- Place the chainsaw on level ground and ensure that no objects or obstructions are in immediate vicinity which could come in contact with the bar and chain. Hold the front handle firmly with the left hand and put your right foot onto the base of the rear handle, see Fig. 45.
- Set the chain brake by pushing the chain brake lever / hand guard forward (towards the bar), to the Brake Position as shown in Fig. 46. Refer to Safety-Chain Brake and Operation-Chain Brake Sections for additional information.



- Slowly push the purge bulb 6 to 8 times (C, Fig. 47).
- Move the on/off switch (D) to the start position "I".
- Pull the choke lever (E) to the fully extended position (I / Full Choke). The half-throttle is automatically set when choke lever is set at Full Choke.
- Depress the compression relief valve (F, Fig. 48). Pull the starter rope until the first firing of the engine is heard (no more than five (5) pulls). **A new unit may require additional pulls.**

NOTE: Compression relief valve automatically resets after the first firing.

- Push the choke lever (E) completely in to the engine Run position, as shown in Fig. 47.
- Depress the compression relief valve (F) and pull the starter rope until the engine starts.
- Immediately after the engine has started, depress the throttle trigger lockout (H, Fig. 49), quickly squeeze and release the throttle trigger (I). This releases the throttle trigger from the half-throttle position and lets the engine idle. Place chain brake lever / hand guard into the run position as shown in Fig. 46. Refer to Safety-Chain Brake and Operation-Chain Brake Sections for additional information.
- When pulling the starter rope, do not use the full extent of the rope as this can cause the rope to break. Do not let starter rope snap back. Hold the handle and let the rope rewind slowly.



WARNING: Do not cut material with the choke/fast idle lever at the FULL CHOKE position. Do not operate your chainsaw with the starting throttle lock engaged. Cutting with the starting throttle lock engaged does not permit the operator proper control of the saw or chain speed.

NOTE - STARTING WARM ENGINE:

Follow above starting instructions, but do not use the Full Choke position for start up again. To set fast idle for warm engine starting, pull choke out completely and push back in to the original Run Position.



WARNING: Weather conditions and altitude may affect carburetion. Do not allow bystanders close to the chainsaw while adjusting the carburetor.



WARNING: Never attempt to start the chainsaw when the guide bar is in a cut or kerf.

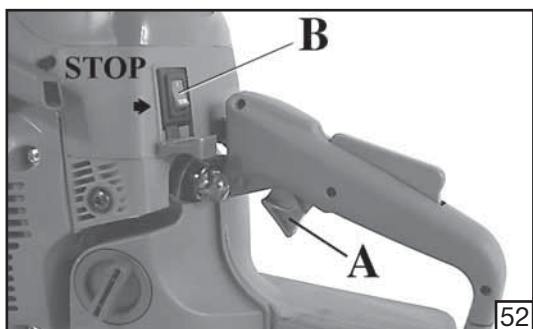
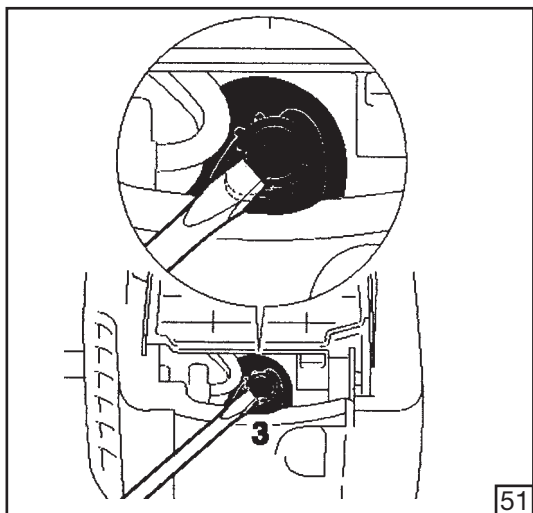


WARNING: Never start the saw engine without the bar, chain and clutch cover (chain brake) assembled - or else the clutch can come loose and cause personal injuries.

Ice Device System

In the event of temperatures below 0°C, move the cursor (A, Fig. 49A) to the winter position. The winter symbol (Fig. 49 A) must be indicated by the arrow stamped on the slide. In this way heated air from the cylinder is also taken in, preventing thus the formation of ice inside the carburetor.

When the temperature rises above +10°C, move the cursor (A, Fig. 49 B) to the summer position. Failure to reset this parameter could impair motor performance due to overheating.



Breaking-in the Engine

The engine reaches the maximum power after 5-8 hours of activity. During this period of breaking-in do not make the machine function idly at full throttle, to avoid excessive functioning stress.



CAUTION! – During the braking-in period do not vary the carburetion to obtain a presumed power increment; the engine can be damaged.

Difficult Starting (or starting a flooded engine)

The engine may be flooded with too much fuel if it has not started after 10 pulls. Flooded engines can be cleared of excess fuel by following the warm engine starting procedure listed above. Ensure the ON/STOP switch is in the ON position. Starting could require pulling the starter rope handle many times depending on how badly the unit is flooded. If engine fails to start refer to the TROUBLESHOOTING TABLE (page 35).


Engine is Flooded

If you did not move the choke lever to warm start, quickly enough after the engine began to fire, the combustion chamber is flooded.

- Set the on/off switch to STOP.
- Open the twist lock (1, Fig. 50) in the direction of the arrow.
- Remove the filter cover (2).
- Engage a suitable tool in the spark plug boot (3, Fig. 51).
- Pry off the spark plug boot.
- Unscrew and dry off the spark plug.
- Open the throttle wide.
- Pull the starter rope several times to clear the combustion chamber.
- Refit the spark plug and connect the spark plug boot, press it down firmly – reassemble the other parts.
- Set the on/off switch to I, the starting position.
- Set the choke lever to warm start – even if engine is cold.
- Now start the engine.

Stopping The Engine

Release the throttle trigger (A) and let the engine return to idle. To stop the engine, move the on/off switch (B) to the “STOP” position. Do not put the chainsaw on the ground when the chain is still moving. For additional safety, set the chain brake when the saw is not in use.

In the event that the “STOP” position of the switch will not function, pull the choke lever out to the fully extended position  Full Choke, refer to Fig. 52 to stop the engine.

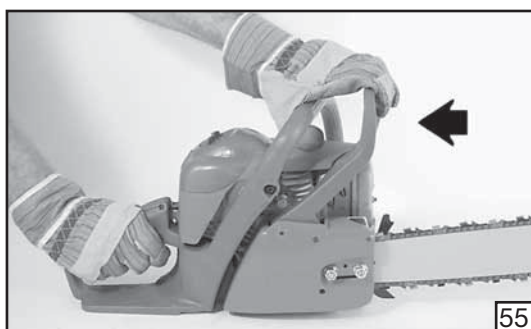
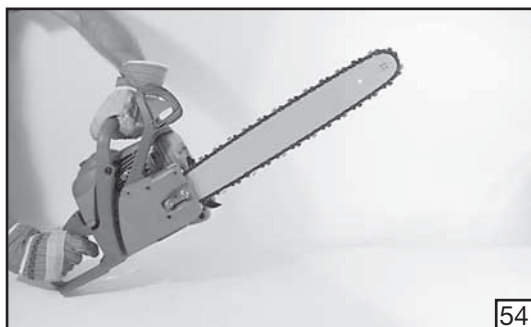
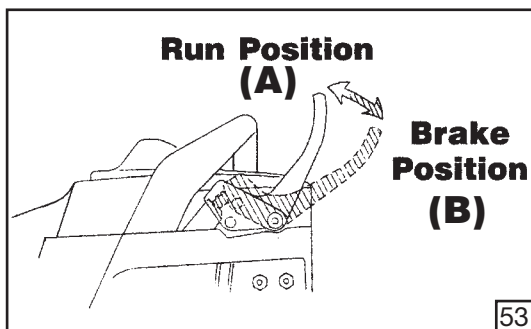


CAUTION: The chain contracts as it cools down. If it is not slackened, it could damage the crankshaft and bearings.

Pre-operation checking



WARNING: THE SAW CHAIN SHOULD NEVER TURN AT IDLE. Turn the idle speed screw “T” counterclockwise to reduce the idle RPM and stop the chain, or contact a Servicing Dealer for adjustment and discontinue use until the repair is made. Serious personal injury may result from the saw chain turning at idle.



Chain Brake Operation

Refer to Safety-Chain Brake Section before use.

The chain brake **Run Position (A, Fig. 53)** and **Brake Position (B)** are illustrated below.

The chain brake operating condition should be checked prior to each use as follows:

1. Start the engine and grasp front and rear handles securely with both hands.
2. Pull the throttle trigger to bring the chainsaw up to full speed. Using the back of your left hand, engage the chain brake by pushing the chain brake lever / hand guard toward the bar while the chain is rotating rapidly, see Fig. 54.
3. The chain brake should engage and stop the chain immediately, if not, take the saw to a Servicing Dealer for repair and discontinue use until the repair is made.
4. Reset the chain brake back into the run position by grasping the guide bar side (right side from operator's position) of the chain brake lever / hand guard and pull toward the front handle until an audible click is heard. See Fig. 55.



WARNING: If chain brake does not stop the chain immediately, take the saw to a Servicing Dealer for repair prior to use.



WARNING: An improperly maintained chain brake may increase the time needed to stop the chain after activation, or may not activate at all.

Tree Felling

Unusual Hazardous Tree Felling Conditions



WARNING: Do not fell trees during periods of high wind or heavy precipitation.



WARNING: Never cut, when visibility is poor or in very high or low temperatures or in freezing weather.



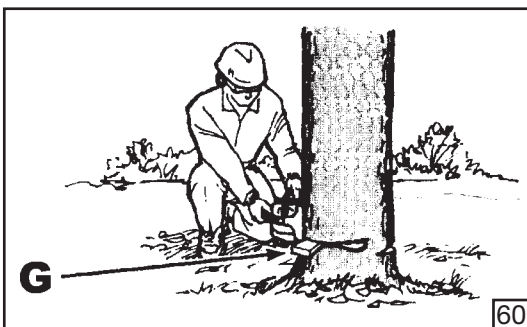
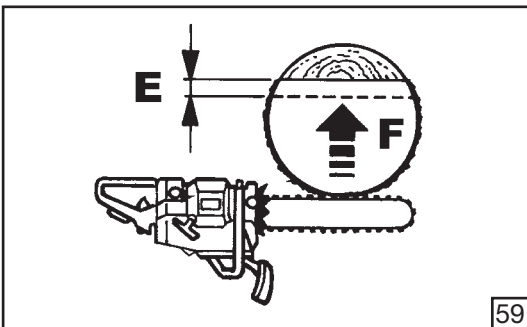
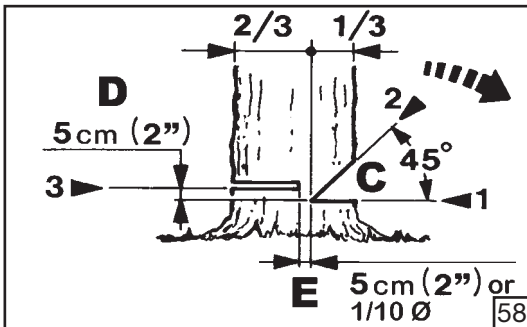
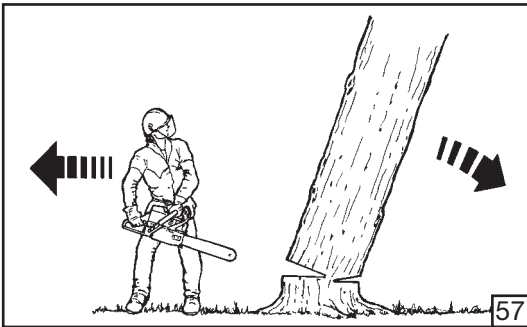
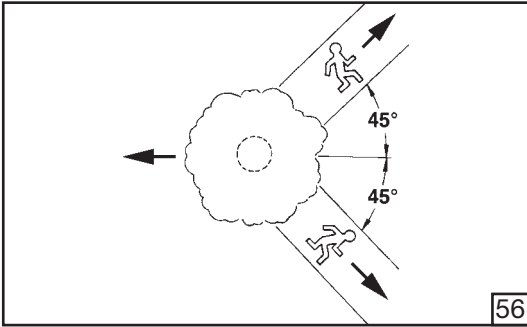
WARNING: Do not cut trees that have an extreme lean or hollow trunks rotten limbs or loose bark. Proper notching and back cutting cannot be performed on trees with extreme lean or hollow trunks. Have these trees dragged down with heavy equipment.



WARNING: Do not cut trees near electrical wires or buildings. If the tree makes contact with any utility line, the utility company should be notified immediately.



WARNING: Check the tree for damaged or dead branches that could fall and hit you during felling.



WARNING: Periodically glance at the top of the tree during the backcut to assure the tree is going to fall in the desired direction.

WARNING: If the tree starts to fall in the wrong direction, or if the saw gets caught or hung up during the fall, LEAVE THE SAW AND SAVE YOURSELF!

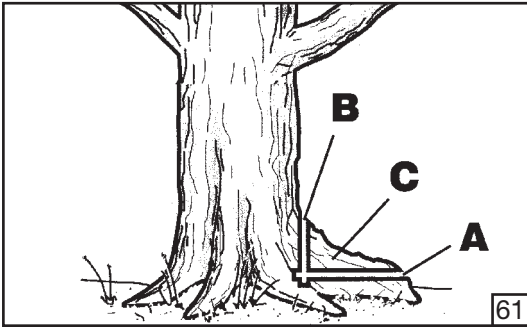
- Carefully plan your sawing operation in advance.
- Clear the work area. You need a clear area all around the tree so you can have secure footing.
- The chainsaw operator should keep on the uphill side of the terrain as the tree is likely to roll or slide downhill after it is felled.
- Study the natural conditions that can cause the tree to fall in a particular direction.

Look for decay and rot. If the trunk is rotted, it can snap and fall toward the operator.

Make sure there is enough room for the tree to fall. Maintain a distance of 2-1/2 tree lengths from the nearest person or other objects. Engine noise can drown out a warning call. Remove dirt, stones, loose bark, nails, staples, and wire from the tree where cuts are to be made.

1. Pick your escape route (or routes in case the intended route is blocked). Clear the immediate area around the tree, and make sure there are no obstructions in your planned path of retreat. Clear path of safe retreat (Fig. 56) 45° from planned line of fall (Fig. 57).
2. Consider the force and direction of the wind, the lean and balance of the tree, and the location of large limbs. These things influence the direction in which the tree will fall. Do not try to fell a tree along a line different from its natural line of fall.
3. Cut a notch (C, Fig. 58) about 1/3 the diameter of the trunk in the side of the tree. Make the cuts of the notch so they intersect at a right angle to the line of fall. This notch should be cleaned out to leave a straight line. To keep the weight of the wood off the saw, always make the lower cut of the notch before the upper cut.
4. The backcut is always made level and horizontal, and at a minimum of 2 inches (5 cm) above the horizontal cut of the notch (D).
5. Never cut through to the notch. Always leave a band of wood between the notch and back cut (approximately 2 inches (5 cm) or 1/10 the diameter of the tree). This is called "hinge" (E) or "hingewood." It controls the fall of the tree and prevents slipping or twisting or shoot-back of the tree off the stump.
6. On large diameter trees, stop the back cut (F, Fig. 59) before it is deep enough for the tree to either fall or settle back on the stump. Then insert soft wooden or plastic wedges (G, Fig. 60) into the cut so they do not touch the chain. The wedges can be driven in, little by little, to help jack the tree over.
7. As tree starts to fall, stop the engine and put saw down immediately. Retreat along cleared path, but watch the action in case something falls your way.

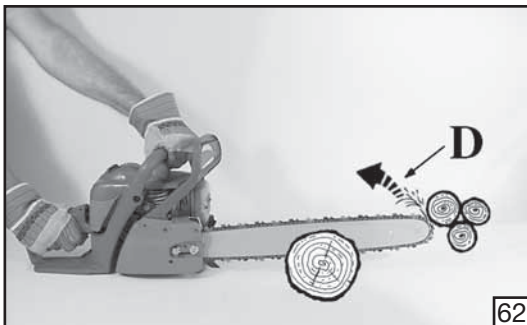
WARNING: Never cut through to the notch when making a backcut. The hinge controls the fall of the tree, this is the section of wood between the notch and backcut.



DO NOT cut down a partially fallen tree with your saw. Be extremely cautious with partially fallen trees that may be poorly supported. When a tree doesn't fall completely, set the saw aside and pull down the tree with a cable winch, block and tackle, or tractor.

Buttress Roots


A buttress root is a large root extending from the trunk of the tree above ground. Large buttress roots should be removed prior to felling. Make the horizontal cut (**A, Fig. 61**) into the buttress first, followed by the vertical cut (**B**). Remove the resulting loose section (**C**) from the work area. Utilize the proper instructions from the Operation-Tree Felling section of the manual after the large buttress roots have been removed.




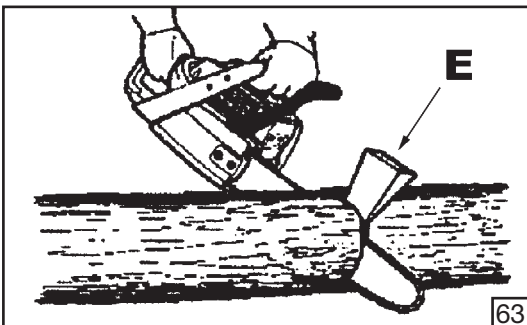
Bucking


Bucking is the term used for cutting a fallen tree to the desired log length.


- Cut only one log at a time.


 **WARNING:** Support small logs on a saw horse or another log while bucking. Never allow another person to hold the log while cutting and never hold the log with your leg or foot.

 **WARNING:** Keep a clear cutting area. Make sure that no objects can contact the guide bar nose and chain during cutting, this can cause kickback (**D, Fig. 62**).



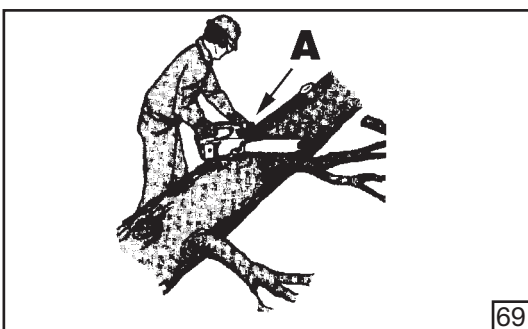
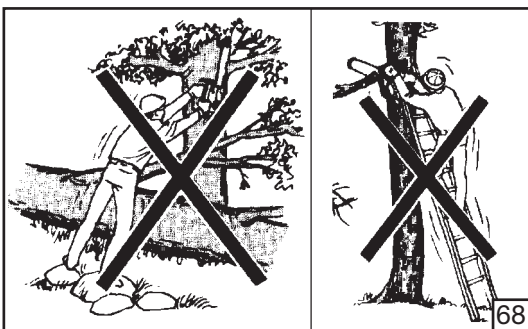
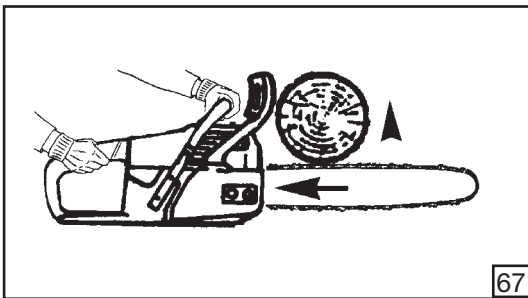
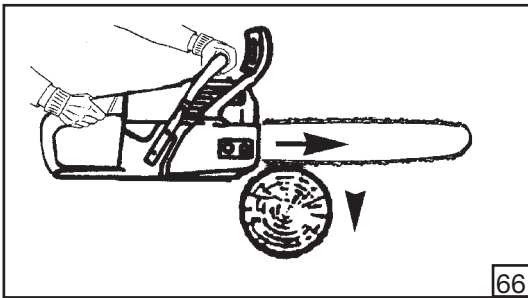
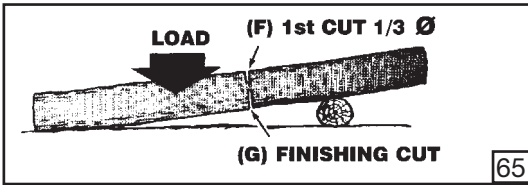
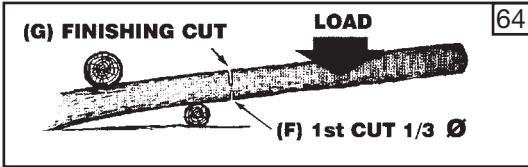
 **WARNING:** During bucking operations always stand on the uphill side so that the cut-off section of the log can not roll over you.

 **WARNING:** If saw becomes pinched or hung in a log, don't try to force it out. You can lose control of the saw resulting in injury and/or damage to the saw. Stop the saw, drive a wedge of plastic or wood into the cut until the saw can be removed easily (**E, Fig. 63**). Restart the saw and carefully reenter the cut. Do not attempt to restart your saw when it is pinched or hung in a log.

 **WARNING:** Do not stand on the log being cut. Any portion can roll causing loss of footing and control. Do not cut in an area where logs, limbs, and roots are tangled. Drag the logs into a clear area before cutting by pulling out exposed and cleared logs first.

Bucking with a Wedge

If the wood diameter is large enough for you to insert a soft bucking wedge (**E, Fig. 63**) without touching the chain, you should use the wedge to hold the cut open to prevent pinching.



Logs Under Stress (Fig. 64-65)

Make the first bucking cut (F) 1/3 of the way through the log and finish with a 2/3 cut (G) on the opposite side. As the log is being cut, it will tend to bend. The saw can become pinched or hung in the log if you make the first cut deeper than 1/3 of the diameter of the log.

Give special attention to logs under stress to prevent the bar and chain from pinching.

Types of Cutting Used

Overbucking (Fig. 66)

Begin on the top side of the log with the bottom of the saw against the log; exert light pressure downward.

Underbucking (Fig. 67)

Begin on the under side of the log with the top of the saw against the log; exert light pressure upward. During underbucking, the saw will tend to push back at you. Be prepared for this reaction and hold the saw firmly to maintain control.

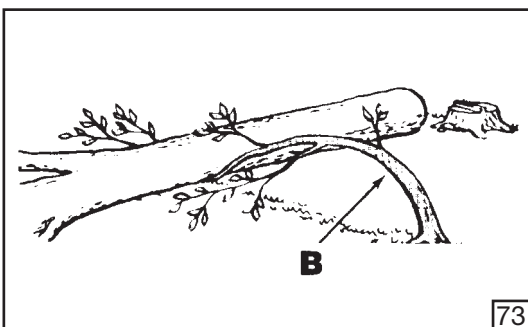
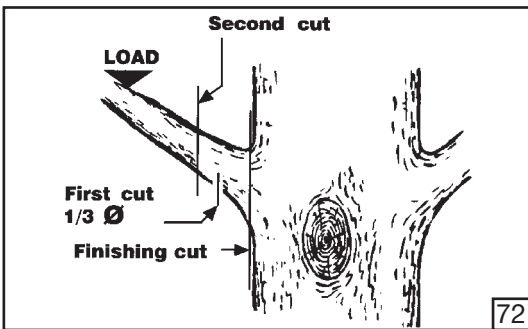
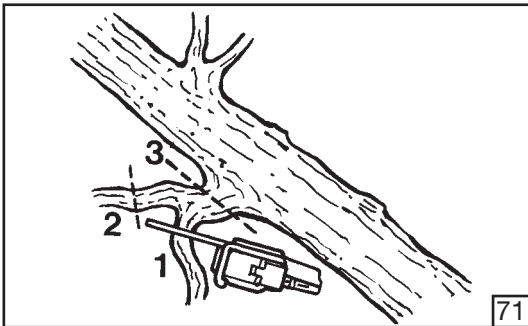
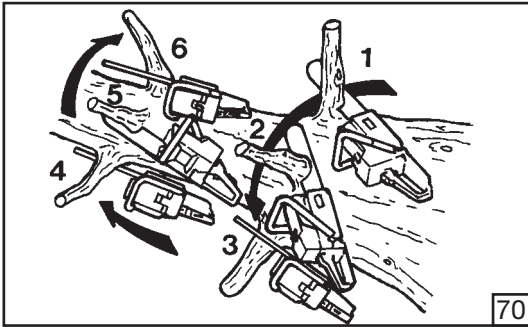
WARNING: Never turn saw upside down to undercut. The saw cannot be controlled in this position. Always make your first cut on the compression side of the log. The compression side of the log is where the pressure of the log's weight is concentrated.

Limbing and Pruning

WARNING: Be alert for and guard against kickback. Do not allow the moving chain to contact any other branches or objects at the nose of the guide bar when limbing or pruning. Allowing such contact can result in serious injury.

- Work slowly, keeping both hands on the saw with a firm and proper grip. Maintain secure footing and balance (Fig. 68).
- Keep the tree between you and the chain while limbing (A, Fig. 69). Cut from the side of the tree opposite the branch you are cutting.
- Do not cut from a ladder, this is extremely dangerous (Fig. 68). Leave this operation for professionals.
- Do not cut above chest height as a saw held higher is difficult to control against kickback.
- Be alert for springback. Watch out for branches that are bent or under pressure. Avoid being struck by the branch or the saw when the tension in the wood fibers is released.
- Keep a clear work area. Frequently clear branches out of the way to avoid tripping over them.

WARNING: Never climb into a tree to limb or prune. Do not stand on ladders, platforms, a log or in any position which can cause you to lose your balance or control of the saw.



Limbing Operation (Fig. 70-71)

- Always limb a tree after it is cut down. Only then can limbing be done safely and properly.
- Leave the larger limbs underneath the felled tree to support the tree as you work.
- Start at the base of the felled tree and work toward the top, cutting branches and limbs. Remove small limbs with one cut.
- Keep the tree between you and the chain. Cut from the side of the tree opposite the branch you are cutting.
- Remove larger, supporting branches with the cutting techniques described in BUCKING WITHOUT A SUPPORT.
- Always use an overcut to cut small and freely hanging limbs. Undercutting could cause limbs to fall and pinch the saw.

Pruning Operation (Fig. 72)

- When pruning trees it is important not to make the flush cut next to the main limb or trunk until you have cut off the limb further out to reduce the weight. This prevents stripping the bark from the main member.
- Underbuck the branch 1/3 through for your first cut, your second cut should overbuck to drop the branch off.
- Now make your finishing cut smoothly and neatly against the main member so the bark will grow back to seal the wound.

WARNING: If the limbs to be pruned are above chest height, hire a professional to perform the pruning.

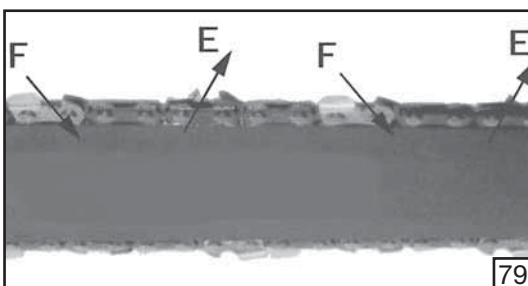
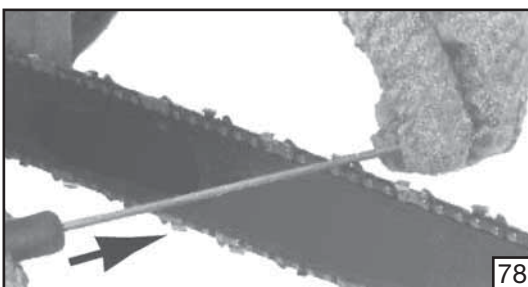
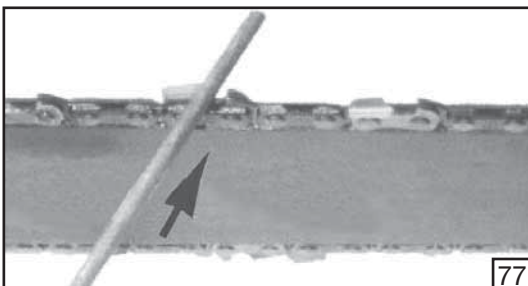
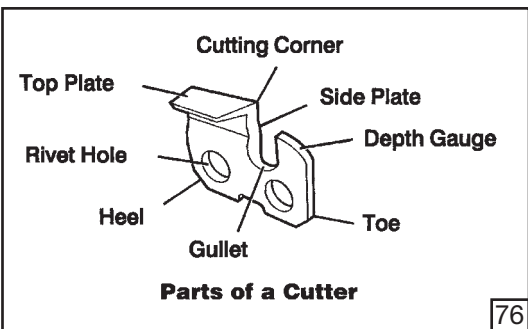
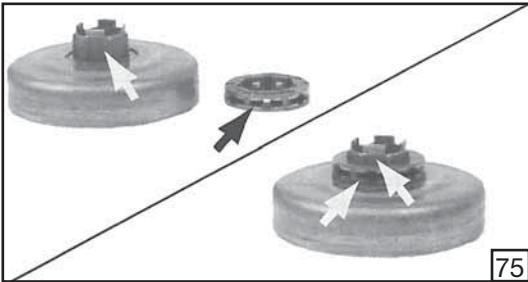
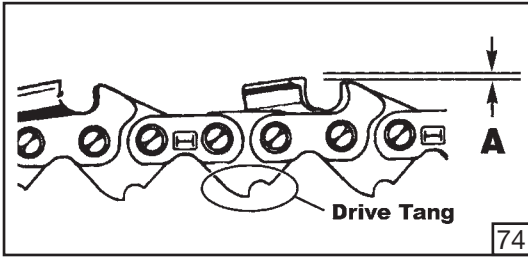
Springpoles

A springpole (**B, Fig. 73**) is any log, branch, rooted stump, or sapling which is bent under tension by other wood so that it springs back if the wood holding it is cut or removed. On a fallen tree, a rooted stump has a high potential of springing back to the upright position during the bucking cut to separate the log from the stump. Watch out for springpoles. They are potentially dangerous.

WARNING: Springpoles are dangerous and could strike the operator, causing the operator to lose control of the chainsaw. This could result in severe or fatal injury to the operator.

Maintenance Chart

Please note that the following maintenance intervals apply for normal operating conditions only. If your daily work requires longer than normal or harsh cutting conditions are present the suggested intervals should be shortened accordingly.		Before Each Use	After Each Refueling Stop	After Finishing Daily Work	Weekly	Monthly	If Damaged or Faulty	As Required
Complete Machine	Inspect (Leaks, Cracks, and Wear)	X	X					
	Clean			X				
Controls (Ignition Switch, Choke Lever, Throttle Trigger, Trigger Interlock)	Check Operation	X	X					
Chain Brake	Check Operation	X	X					
	Clean and Oil				X			
	Check by Dealer						X	X
Fuel Tank	Inspect (Leaks, Cracks, and Wear)	X	X					
	Clean					X		
Oil Tank	Inspect (Leaks, Cracks, and Wear)	X	X					
	Clean					X		
Fuel Filter	Inspect				X			
	Clean, Replace Filter Element						X	Every 6 Months
Chain Lubrication	Check Output	X	X					
Saw Chain	Inspect (Damage, Sharpness, and Wear)	X	X					
	Check Tension	X	X					
	Sharpen (Check Gauge Depth)						X	X
Guide Bar	Inspect (Damage, and Wear)	X	X					
	Clean Bar groove and Oil Passages	X						
	Rotate				X			
	Lubricate Sprocket Nose				X			
	Deburr				X			
	Replace						X	X
Rim Sprocket	Inspect (Damage, and Wear)				X			Replace with every new chain
Clutch Drum	Inspect (Damage, and Wear)				X			
	Replace						X	
Chain Catcher	Inspect (Damage, and Wear)	X	X					
	Replace						X	X
Spark Arrestor Screen (In Muffler)	Inspect (Damage, and Wear)				X			
	Clean or Replace						X	X
All Accessible Screws and Nuts (not Adjusting Screws)	Inspect	X						
	Retighten				X			
Air Filter	Clean	X						X
	Replace						X	Every 6 Months
Cylinder Fins	Clean					X		
Starter System Vents	Clean			X				
Starter Rope	Inspect (Damage, and Wear)				X			
	Replace						X	
Carburetor	Check Idle (Chain must not rotate at Idle)	X	X					
Spark Plug	Check Electrode Gap					X		
	Replace						X	Every 6 Months
Vibration Mounts	Inspect (Damage and Wear)				X			
	Replace by Dealer						X	X



Chain Maintenance

Use only Dual Raker low-kickback chain on this saw. This fast-cutting chain will provide kickback reduction when properly maintained.

For smooth and fast cutting, raker chain needs to be maintained properly. The chain requires sharpening when the wood chips are small and powdery, the chain must be forced through the wood during cutting, or the chain cuts to one side. During maintenance of your chain, consider the following:

1. Improper filing angle of the side plate can increase the risk of a severe kickback.
2. Raker (depth gauge) clearance (**A, Fig. 74**): too much increases the potential for kickback; not enough decreases cutting ability.
3. If cutter teeth have hit hard objects such as nails and stones, or have been abraded by mud or sand on the wood, have Servicing Dealer sharpen chain.
4. In rare instances drive tangs could flare resulting in chain not rotating freely. Replace chain if necessary.

NOTE: Inspect the rim sprocket for wear or damage when replacing the chain. If signs of wear or damage are present in the areas indicated in Fig. 75, have the rim sprocket replaced by a Servicing Dealer.

How to Sharpen the Cutters (Fig. 76)

Be careful to file all cutters to the specified angles and to the same length, as fast cutting can be obtained only when all cutters are uniform.

1. Wear gloves for protection. Tighten the chain tension enough that the chain does not wobble. Do all of your filing at the mid-point of the bar. See Operation-Chain Tension.
2. Use a 3/16" diameter round file and holder.
3. Keep the file level with the top plate of the tooth as shown in Fig. 77. Do not let the file dip or rock.
4. Using light but firm pressure, stroke towards the front corner of the tooth as shown in Fig. 78. Lift file away from the steel on each return stroke.
5. Put a few firm strokes on every tooth. File all left hand cutters (**E, Fig. 79**) in one direction. Then move to the other side and file the right hand cutters (**F**) in the opposite direction. Occasionally remove filings from the file with a wire brush.



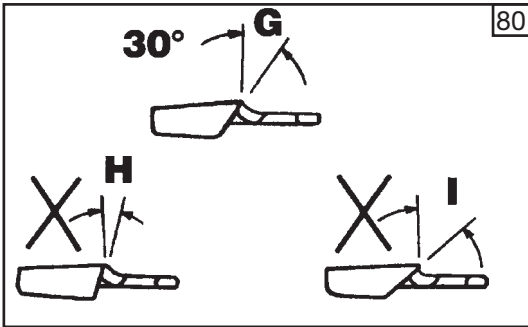
CAUTION: Dull or improperly sharpened chain can cause excessive engine speed during cutting which may result in severe engine damage.



WARNING: It is absolutely essential to comply with the angles and dimensions specified below. If the saw chain is incorrectly sharpened – and in particular if the depth gauge is set too low – there is a risk of increased kickback of the chainsaw, with resulting risk of injury.

Failure to replace or repair damaged chain can cause serious injury.

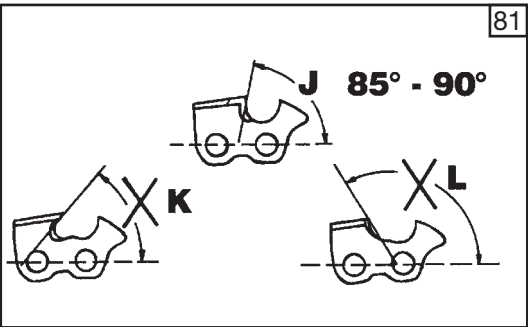
The saw chain is very sharp, always wear protective gloves when performing maintenance to the chain.



Top Plate Angle

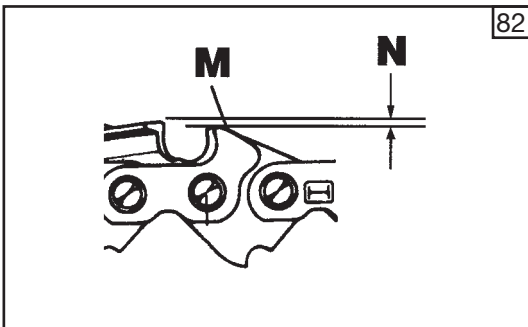
File holders are marked with guide marks to align file properly to produce correct TOP PLATE ANGLE (Fig. 80).

- G) CORRECT- 30°
- H) LESS THAN 30° - For Cross Cutting.
- I) MORE THAN 30°- Feathered Edge Dulls Quickly.



Side Plate Angle (Fig. 81)

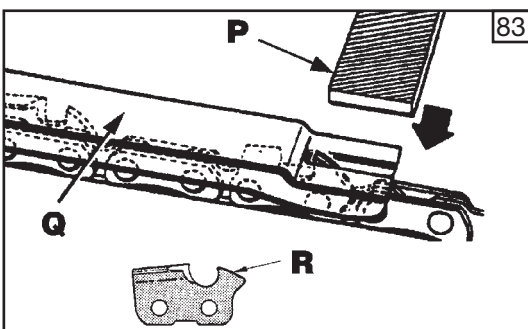
- J) CORRECT- 85° - 90°
Produced automatically if correct diameter file is used in file holder.
- K) "HOOK"- "Grabs" and dulls quickly. Increases potential of **KICKBACK**.
Results from using a file with diameter too small, or file held too low.
- L) BACKWARD SLOPE- Needs too much feed pressure, causes excessive wear to bar and chain.
Results from using a file with diameter too large, or file held too high.



Depth Gauge Clearance

1. The depth gauge (M, Fig. 82) should be maintained at a clearance (N) between .020 (0.5 mm) and .024" (0.6 mm). Use a depth gauge tool for checking the depth gauge clearances.
2. Every time the chain is filed, check the depth gauge clearance.

Use a Flat File and a Depth Gauge Jointer to lower all gauges uniformly (Fig. 83).

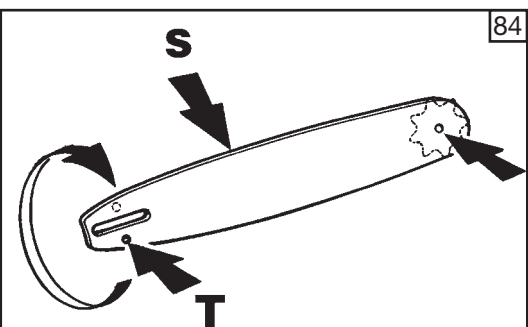


P) FLAT FILE

Q) DEPTH GAUGE JOINTER

Depth gauge jointers available in .020" to .035" (0.5mm to 0.9mm). After lowering each depth gauge, restore original shape by rounding the front (R). Be careful not to damage adjoining drive links with the edge of the file.

CAUTION: After sharpening, clean the chain thoroughly, remove filings or grinding dust – lubricate the chain thoroughly.



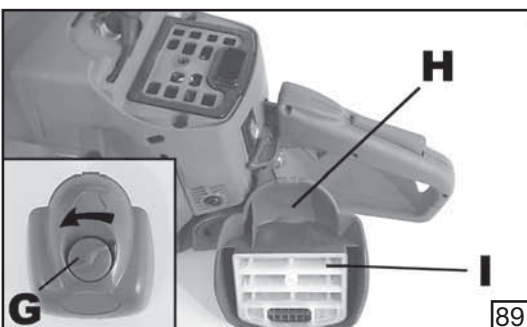
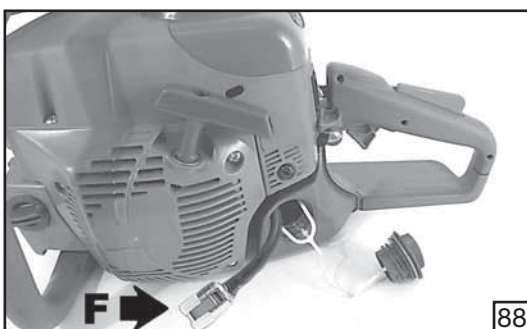
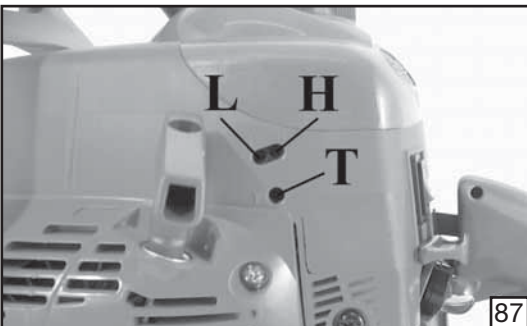
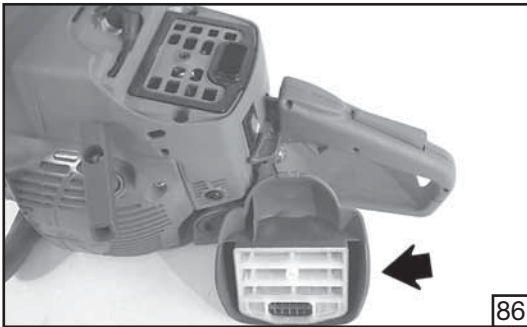
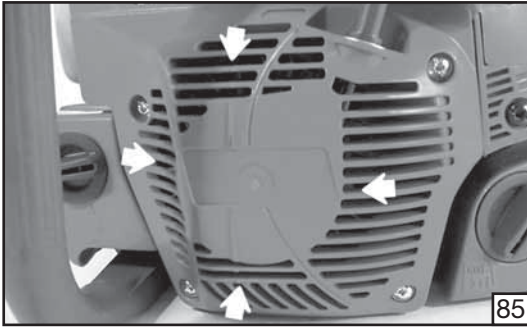
Guide Bar Maintenance

Every day of use, reverse the guide bar on the saw to distribute the wear for maximum bar life (see Fig. 84). The bar should be cleaned every day of use and checked for wear and damage. Feathering or burring of the bar rails is a normal process of bar wear. Such faults should be smoothed with a file or stone as soon as they occur.

A bar with any of the following faults should be replaced:

- Wear inside the bar rails which permits the chain to lay over sideways.
- Bent guide bar.
- Cracked or broken rails.
- Spread rails.

In addition, guide bars with a sprocket at their tip must be lubricated periodically with a grease syringe to extend the guide bar life. Turn the guide bar and check that the lubrication holes (T) and chain groove (S) are free from impurities.



Carburetor Adjustment

Before adjusting the carburetor, clean the starter cover vents as shown in Illustration Fig. 85, and air filter as shown in Illustration Fig. 86, refer to Operation-Starting Unit and Maintenance-Air Filter Sections for details. Allow the engine to warm up prior to carburetor adjustment.

This engine is designed and manufactured in order to comply with EPA (Environmental Protection Agency) Phase 2 regulations. The carburetor is factory set and should not require adjusting. The carburetor will permit only limited adjustment of the “L” (Low Jet) and “H” (High Jet) needles (Fig. 87). Any adjustment should be done by a Servicing Dealer.

Under no circumstances should the “L” (Low Jet) and “H” (High Jet) needles be forced outside the range of adjustment.



WARNING: Serious damage can occur to the engine if improper adjustments are made to the “L” and “H” needles. Do not force the “L” and “H” needles outside the adjustment range in such case the engine will not run in compliance with emissions regulations.

Idle Speed Adjustment

- If the engine starts, runs, and accelerates but will not idle; turn the idle speed screw “T” clockwise to increase idle speed (Fig. 87).
- If the chain turns at idle, turn the idle speed screw “T” counterclockwise to reduce the idle RPM and stop the chain movement. If the saw chain still moves at idle speed, contact a Servicing Dealer for adjustment and discontinue use until the repair is made.

Fuel Filter

Check the fuel filter (F, Fig. 88) periodically. Replace it if contaminated or damaged.

Air Filter



WARNING: Do not clean filter in gasoline or other flammable solvent to avoid creating a fire hazard or producing harmful evaporative emissions.

Completely loosen the air filter cover knob (G, Fig. 89) by turning counterclockwise, remove air filter cover (H) and check the air filter (I) each day; shake the filter and clean with a soft brush. If heavily contaminated, clean with soapy water, rinse and dry thoroughly prior to installing. Reinstall the air filter into cover. Place the air filter cover onto the chainsaw. Tighten the air filter cover knob securely.

A used air filter can never be completely cleaned. It is advisable to replace your air filter with a new one after six month of operation.



CAUTION: Never run the engine without the air filter, serious damage could result. Make sure the air filter is correctly placed in the air filter cover before reassembly. Always replace damaged filters. Do not clean a filter with a brush.



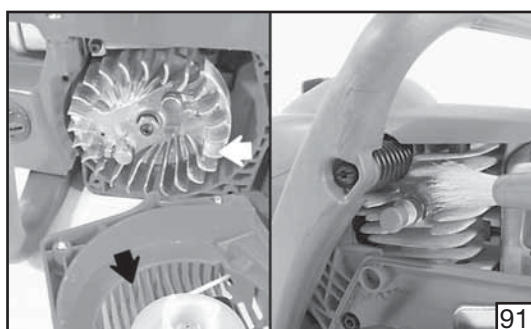
90

Starter Unit

Use a brush to keep the cooling vents of the starter assembly free and clean of debris (Fig. 90).



WARNING: The coil spring is under tension and could fly apart causing serious injuries. Never try to disassembly or modify it.



91

Engine

Clean the cylinder & flywheel fins with compressed air or a brush periodically (Fig. 91). Dangerous overheating of engine may occur due to impurities on the cylinder.

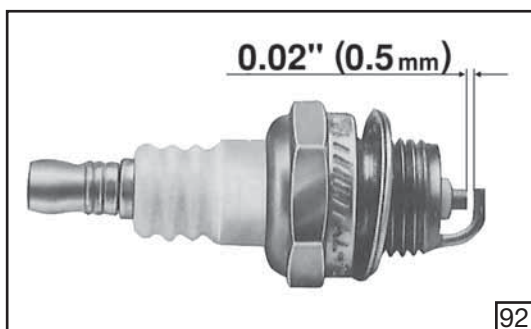


WARNING: Never run the saw without all the parts, including the drivecase cover and starting housing, securely in place.

Because parts can fracture and pose a danger of thrown objects, leave repairs to the flywheel and clutch to trained Servicing Dealers.

Spark Plug

This engine uses a NGK BPMR7A with .02" (0.5 mm) electrode gap (Fig. 92). Use an exact replacement and replace every six months or more frequently, if necessary.



92

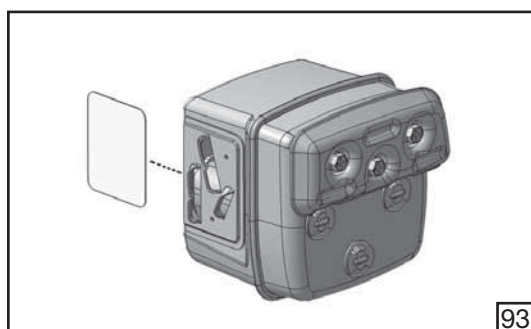


WARNING: Never test the ignition system with ignition wire connector removed from spark plug or with unseated spark plug, since uncontained sparking may cause a fire. A loose connection between spark plug terminal and ignition wire connector in the boot may create arcing that could ignite combustible fumes and cause a fire.

Use only resistor type spark plugs of the approved range.

Factors such as:

- too much oil in fuel mix;
 - dirty air filter;
 - unfavourable running conditions, e.g. operating at part load;
- may result in rapid deterioration of the spark plug.



93

Spark Arresting Muffler

The chainsaw is provided with a Spark Arrester System p.n. 50080055 (Fig. 93) complying with the requirements of SAE J335 standard; you can check the p.n. of the Spark Arrester System on the muffler itself.



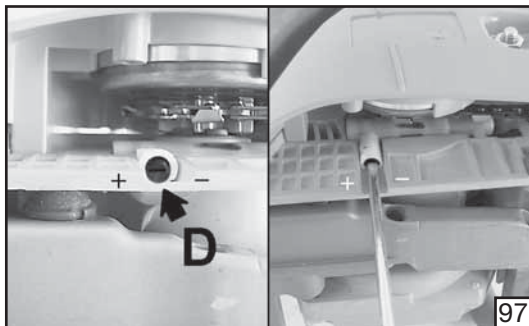
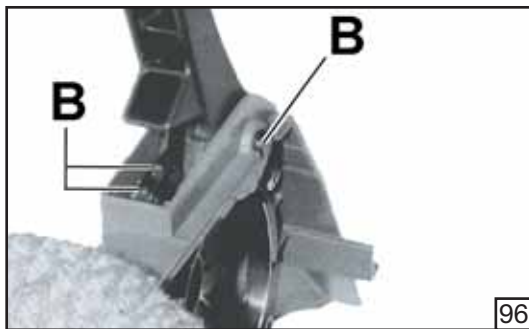
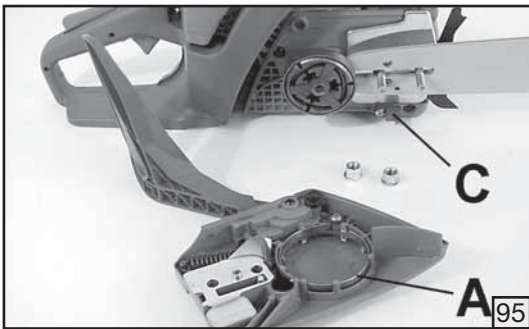
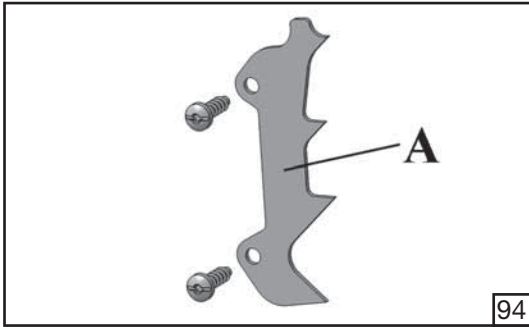
WARNING: A faulty or altered spark arrester system screen can create a fire hazard.

Through normal use the screen can become dirty and should be inspected weekly and cleaned as required.

To clean: Contact a Servicing Dealer



WARNING: If the spark arrester screen is damaged, faulty or deteriorated, replace the muffler body or entire muffler assembly.



The Spark Arrester System needs a periodic and accurate maintenance and cleaning, in particular:

- check periodically the spark arrester screen and substitute it when holes, bends or deformations appear;
- check carefully if dust, debris or organic material is in contact with parts of the Spark Arrester System; check especially the gap between the muffler and the shield; clean it often with tools or shop air.

Never remove the muffler, always contact a Servicing Dealer for cleaning the spark arrester system screen.

For compliance with the standard, one spiked bumper p.n. 8850230145 (A, Fig. 94) have to be mounted, as provided on the chainsaw.

WARNING: Do not operate your chainsaw if the muffler is damaged, missing or modified. An improperly maintained muffler will increase the risk of fire and hearing loss.

Muffler

WARNING – This muffler incorporates a catalytic converter, needed in order to ensure the engine complies with current emissions standards. Never attempt to modify or remove the catalytic converter: in doing so, you will be breaking the law.

WARNING – Mufflers with catalytic converters become very hot during operation, and retain heat for a long time after the engine has been stopped. This is the case even with the engine idling. Contact can burn the skin. Always remember the potential fire risk!

CAUTION – If the muffler is damaged, it must be replaced. If the muffler frequently becomes blocked, this could be an indication that the efficiency of the catalytic converter is limited.

WARNING – Do not use the chain saw if the muffler is damaged or missing, or has been altered in any way. Operating the machine with an improperly maintained muffler will increase the risk of fire and hearing loss.

Chain Brake

If the chain brake does not work properly, remove the clutch cover and clean the chain brake components. Check for wear on the brake band (A, Fig. 95) and replace if worn or deformed.

WARNING: If the brake band is worn too thin it may break when the chain brake is triggered. With a broken brake band, the chain brake will not stop the chain. The chain brake should be replaced by an authorized service dealer if any part is worn to less than 0.02" (0.6 mm) thick. Repairs on a chain brake should be made by an authorized service dealer. Take your unit to the place of purchase if purchased from a servicing dealer, or to the nearest authorized service dealer.

Always keep the chain brake mechanism clean and lightly lubricate the linkage (B, Fig. 96).

Always test the chain brake performance after servicing or cleaning per the Operation - Chain Brake Section.

WARNING: Check and, if damaged, replace the chain catcher/safety stop (C, Fig. 95).

Oil Pump (Automatic/Adjustable)

Flow adjustment is pre-set by the manufacturer. Oil flow can be adjusted by the operator according to specific requirements by means of the special adjusting screw (D, Fig. 97). Oil flow occurs only when the chain is moving.

Using Troubleshooting Chart

WARNING: Always stop unit and disconnect spark plug before performing all of the recommended remedies below except remedies that require operation of the unit.

When you have checked all the possible causes listed and you are still experiencing the problem, see your Servicing Dealer. If you are experiencing a problem that is not listed in this chart, see your Servicing Dealer for service.

PROBLEM	POSSIBLE CAUSE	SOLUTION
Engine will not start or will run only a few seconds after starting. (Make sure Ignition switch is in start position "I")	1. No spark 2. Flooded engine.	1. Check Spark. Remove air filter cover. Remove spark plug from cylinder. Reattach the spark plug wire and lay spark plug on top of cylinder. Pull the starter rope and watch for spark at spark plug tip. If there is no spark, repeat test with a new spark plug (BPMR7A). 2. With the ignition switch off, remove spark plug. Move choke lever to Run position (pushed in completely) and pull starter cord 15 to 20 times. This will clear excess fuel from engine. Clean and reinstall spark plug. Pull the choke lever all out and then insert it completely in order to activate the semi-acceleration device. Pull starter three times with choke lever at run. If engine does not start, move choke lever to choke and repeat normal starting procedure. If engine still fails to start, repeat procedure with a new spark plug.
Engine starts but will not accelerate properly:	Carburetor requires "L" (Low jet) adjustment.	* Contact a Servicing Dealer for carburetor adjustment.
Engine starts but will not run properly at high speed.	Carburetor requires "H" (High jet) adjustment.	* Contact a Servicing Dealer for carburetor adjustment.
Engine does not reach full speed and / or emits excessive smoke	1. Check oil fuel mixture. 2. Air filter dirty. 3. Spark arrester screen dirty. 4. Carburetor requires "H" (High jet) adjustment.	1. Use fresh fuel and the correct 2-cycle oil mix. 2. Clean per instruction in Maintenance-Air Filter Section. 3. Clean per instructions in Maintenance-Spark Arresting Muffler Section. 4. * Contact a Servicing Dealer for carburetor adjustment.
Engine starts, runs, and accelerates but will not idle.	Carburetor requires adjustment.	Turn idle speed screw "T" clockwise to increase idle speed. (If chain turns at idle, turn idle speed screw "T" counterclockwise to decrease speed); see Operation-Carburetor Adjustment.
Bar and Chain Running Hot and Smoking	1. Chain oil tank empty. 2. Chain tension too tight. 3. Oiler function.	1. Oil tank should be filled every time that fuel tank is filled. 2. Tension chain per instructions in Operation-Chain Tension section. 3. Run at full throttle 15 to 30 seconds. Stop saw and check for oil dripping from bar tip guard and guide bar. If oil is present the chain may be dull or bar may be damaged. If no oil contact a Servicing Dealer.
Engine starts and runs, but chain is not rotating WARNING: Never touch the chain while the engine is running.	1. Chain brake engaged. 2. Chain tension too tight. 3. Guide bar and chain assembly. 4. Chain and/or guide bar damaged. 5. Clutch drum and/or rim sprocket damaged.	1. Release chain brake, see Operation-Chain Brake Section. 2. Tension chain per instructions in Operation-Chain Tension section. 3. Refer to Assembly-Assembling the Bar and Chain Section. 4. Refer to Maintenance-Chain and/or Maintenance-Guide Bar Section. 5. Replace if necessary - contact a Servicing Dealer.

***Note:** This engine complies with EPA (Environmental Protection Agency) and CARB (California Air Resource Board) regulations which require exhaust emission control. As a result, the carburetor adjustment needles are equipped with plastic caps that limit the rotation from the original factory adjustment. If your unit exhibits specific performance problems that can not be corrected by the Trouble Shooting Section, the unit should be taken to a Servicing Dealer for repair.

Storing Chainsaw



WARNING: Stop engine and allow to cool, and secure the unit before storing or transporting in a vehicle. Store unit and fuel in an area where fuel vapors cannot reach sparks or open flames from water heaters, electric motors or switches, furnaces, etc. Store unit with all guards in place. Position so that any sharp object cannot accidentally cause injury to passersby. Store the unit out of reach of children and other unauthorized persons.

1. Drain and clean the fuel tank in a well ventilated area.
2. Drain all fuel from tank into a container approved for gasoline. Run engine until it stops. This will remove all fuel-oil mix which could become stale and leave varnish and gum in the fuel system.
3. Clean all foreign material from the saw. Keep away from corrosive agents such as garden chemicals and de-icing salts.
4. Abide by all Federal and local regulations for the safe storage and handling of gasoline. Excess fuel should be used in other 2-cycle engine powered equipment.



CAUTION: It is important to prevent gum deposits from forming in essential fuel system parts such as the carburetor, fuel filter, fuel hose, or fuel tank during storage. Alcohol blended fuels (called gasohol or E10 or using ethanol, methanol) can attract moisture which leads to fuel mixture separation and formation of acids during storage. Acidic gas can damage the engine.

TECHNICAL DATA

MT 5200

ENGINE:

Displacement:	3.15 cu. in (51.7 cc)
Bore:	1.77 in (45 mm)
Stroke:	1.28 in (32.5 mm)

PERFORMANCE:

Idle Speed:	2,800÷3,100 RPM
WOT (With Bar & Chain):	12,500÷13,500 RPM
Power:	3.4 hp/2.5kW (9,000 RPM)

FUEL AND OIL SYSTEMS:

Carburetor:	Multi Position Diaphragm Carburetor
Fuel Tank Capacity:	16.9 oz. (500 ml)
Fuel Mix:	See Operation-Fueling Section
Oil Tank Capacity:	9.1 oz. (270 ml)
Chain Lubrication:	Automatic Speed Controlled Positive Displacement Pump

IGNITION SYSTEM:

Spark Plug:	NGK BPMR7A
Spark Plug Gap:	0.02 in. (0.5 mm)

EPA / CEPA:

The Emission Compliance Period referred to on the Emissions Compliance Label indicates the number of operating hours for which the engine has been shown to meet Federal emission requirements.

Category:

- A = 300 hours,
- B = 125 hours,
- C = 50 hours

CARB:

The Emission Compliance Period used on the CARB-Air Index Labels indicates the terms:

- Extended = 300 hours,
- Intermediate = 125 hours,
- Moderate = 50 hours.

Pour un emploi correct de la tronçonneuse et pour éviter tout accident, ne commencez pas le travail sans avoir préalablement lu ce manuel avec attention. Vous trouverez les descriptions du fonctionnement des différents composants, ainsi que les instructions relatives aux contrôles et aux procédures d'entretien requis.

Remarque: les illustrations et instructions présents dans ce manuel peuvent varier en fonction des normes de chaque pays et sont sujettes à modifications sans préavis par le fabricant.

MANUEL DE L'UTILISATEUR

Le manuel de l'utilisateur est destiné à votre propre protection. LISEZ-LE. Conservez-le dans un endroit approprié de façon à pouvoir s'y référer au besoin. Ayez pris connaissance des procédures avant de commencer le montage de l'unité. Une préparation et un entretien corrects vont de paire avec de bonnes performances de la machine et avec une sécurité optimale.

Contactez votre concessionnaire ou votre distributeur local si vous ne comprenez pas certaines des instructions délivrées par le présent manuel.

Outre les instructions relatives au fonctionnement, le présent manuel contient des paragraphes requérant une attention particulière de votre part.

Ces paragraphes sont signalés par les symboles décrits ci-dessous :

Avertissement: présent en cas de risque d'accident, de blessure corporelle, ou de dégâts matériels.

Mise en garde: présent en cas de risque d'endommagement de la machine ou de ses composants.



AVERTISSEMENT : Afin de garantir un fonctionnement correct et en toute sécurité de la tronçonneuse, il est recommandé de toujours conserver le manuel de l'utilisateur à proximité de la machine. Ne prêtez ou ne louez jamais votre tronçonneuse sans fournir le présent manuel d'utilisation et d'entretien.



AVERTISSEMENT : Seules les personnes ayant intégralement compris le présent manuel sont habilitées à utiliser votre tronçonneuse.

IDENTIFICATION DU PRODUIT

Composants de la tronçonneuse	39
-------------------------------------	----

SÉCURITÉ

Comprendre les étiquettes de sécurité	40
---	----

Réglementations nationales et locales	40
---	----

RÈGLES DE SÉCURITÉ

Précautions de base	42
---------------------------	----

Manipulation du carburant	43
---------------------------------	----

Fonctionnement et sécurité	43
----------------------------------	----

Mesures de précaution contre l'effet de rebond	44
--	----

Mesures de précaution pour réduire le risque de vibrations	48
--	----

Précautions d'entretien	48
-------------------------------	----

MONTAGE

Montage du guide-chaîne et de la chaîne	49
---	----

FONCTIONNEMENT

Tension de la chaîne	51
----------------------------	----

Rodage de la chaîne	51
---------------------------	----

Crampon de débitage	52
---------------------------	----

Alimentation en carburant	52
---------------------------------	----

Système de lubrification de la chaîne	53
---	----

Préparation à la coupe	54
------------------------------	----

Démarrage du moteur	56
---------------------------	----

Rodage du moteur	57
------------------------	----

Arrêt du moteur	58
-----------------------	----

Fonctionnement du frein de chaîne	58
---	----

Abattage	59
----------------	----

Débitage	61
----------------	----

Ébranchage et élagage	62
-----------------------------	----

ENTRETIEN

Tableau d'entretien	64
---------------------------	----

Entretien de la chaîne	65
------------------------------	----

Entretien du guide-chaîne	66
---------------------------------	----

Réglage du carburateur	67
------------------------------	----

Filtre à carburant	67
--------------------------	----

Filtre à air	67
--------------------	----

Démarreur	68
-----------------	----

Moteur	68
--------------	----

Bougie	68
--------------	----

Silencieux pare-étincelles	69
----------------------------------	----

Frein de chaîne	70
-----------------------	----

Pompe à huile (Automatique/Réglable)	70
--	----

DIAGNOSTIC DES PANNES

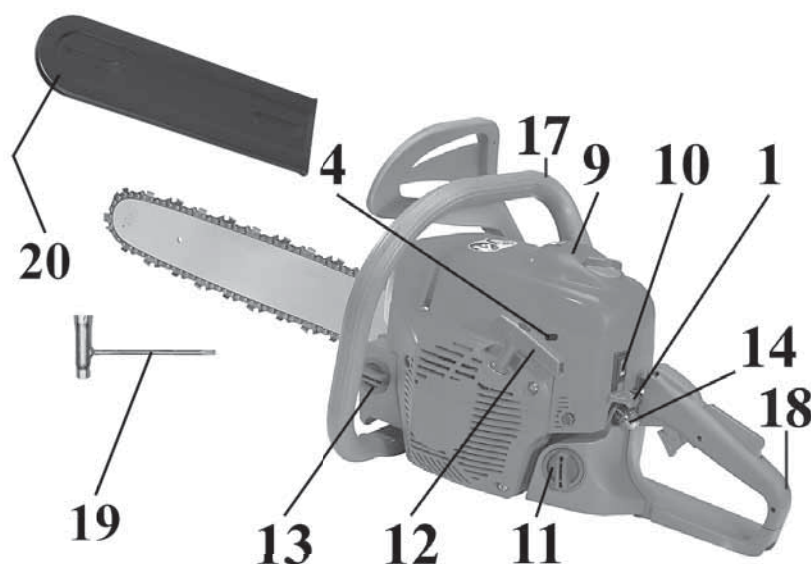
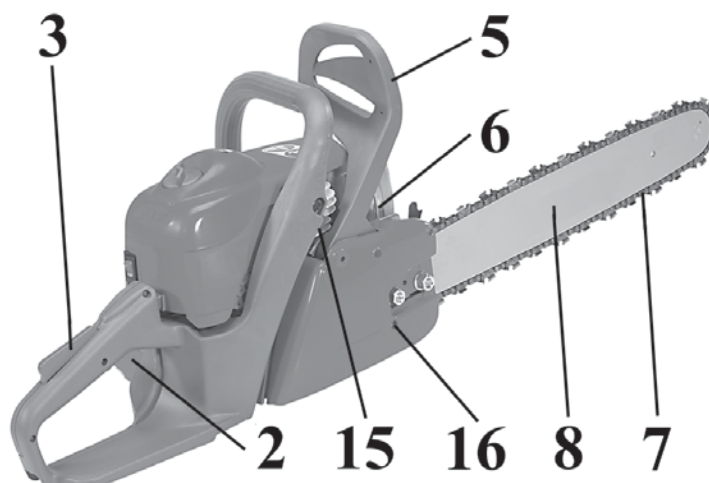
Utilisation du tableau de diagnostic des pannes	71
---	----

REMISAGE

Remisage de la tronçonneuse	72
-----------------------------------	----

CARACTÉRISTIQUES TECHNIQUES

MT 5200	72
---------------	----



Composants de la tronçonneuse

- | | |
|-------------------------------|-------------------------------------|
| 1. Levier starter | 11. Bouchon réservoir carburant |
| 2. Levier accélérateur | 12. Poignée démarrage |
| 3. Levier accélérateur bloqué | 13. Bouchon réservoir huile. |
| 4. Vis réglage carburateur | 14. Pompe primer |
| 5. Levier frein inertiel | 15. Valve de décompression |
| 6. Pot d'échappement | 16. Vis tendeuse de chaîne latérale |
| 7. Chaîne | 17. Poignée avant |
| 8. Guide | 18. Poignée arrière |
| 9. Couvercle filtre air | 19. Clé mixte |
| 10. Interrupteur de masse | 20. Cache-guide |

Comprendre les étiquettes de sécurité



- Ce symbole signale un Avertissement et une Mise en garde.



- Votre manuel contient des messages spéciaux attirant votre attention sur les problèmes liés à la sécurité, les dégâts éventuels de la machine, ainsi que des informations utiles sur le fonctionnement et l'entretien. **VEUILLEZ LIRE TOUTES CES INFORMATIONS AVEC ATTENTION AFIN D'ÉVITER DE VOUS BLESSER OU D'ENDOMMAGER LA MACHINE.**



- Portez des lunettes de sécurité, des protège-tympons ainsi qu'un masque de protection lorsque vous utilisez cette machine.



- Portez des gants de protection renforcés et antidérapants pour la manipulation de la tronçonneuse et de la chaîne.



- Portez des chaussures ou des bottes de sécurité équipées de semelles antidérapantes et coquées.



- **ATTENTION !** Prenez garde à l'effet de rebond. Astuce contact mai cause le guide de se déplacer brusquement vers le haut et vers l'arrière, qui mai causer des blessures graves.



- Astuce contact mai cause le guide de se déplacer brusquement vers le haut et vers l'arrière, qui mai causer des blessures graves.



- Tenez en permanence la tronçonneuse à deux mains.



- La valeur maximale du rebond mesurée sans frein de chaîne pour l'ensemble guide et chaîne figure sur l'étiquette.

Réglementations nationales et locales

Votre tronçonneuse est équipée d'un silencieux d'échappement à limiteur de température, d'un pare-étincelles et d'un double crampon de débitage conformément à la directive de pratique recommandée SAE J335 et aux Codes californiens 4442 et 4443. **La réglementation régissant tous les terrains forestiers et territoires gérés par les états de Californie, Maine, Washington, Idaho, Minnesota, New Jersey et Oregon exige l'utilisation de moteurs à combustion interne équipés de pare-étincelles. Les autres états et institutions fédérales sont sur le point de promulguer une réglementation identique.**

Si vous utilisez une tronçonneuse dans un état ou une région soumise à cette réglementation, vous êtes légalement responsable du maintien en état de fonctionnement de ces pièces. Le non-respect de cette réglementation constitue une violation de la loi. **L'entretien du pare-étincelles est décrit dans la section Entretien-Silencieux à pare-étincelles du présent manuel.**

Remarque: pour ce qui concerne l'utilisation de tronçonneuses dans le cadre d'une exploitation forestière, reportez-vous au Code de réglementation fédérale, Articles 1910 et 1928.



AVERTISSEMENT: Le système d'allumage de votre machine génère un champ électromagnétique de très faible intensité. Il est possible de ce champ crée des interférences sur le fonctionnement d'un stimulateur cardiaque. Afin de réduire le risque de blessures graves, voire de mort, les personnes équipées d'un stimulateur cardiaque sont vivement invitées à consulter leur médecin ainsi que le fabricant du stimulateur avant d'utiliser la machine.



AVERTISSEMENT: les surfaces du silencieux deviennent très chaudes en cours de fonctionnement et après arrêt de la tronçonneuse ; tenez-vous à distance du silencieux. Tout contact avec le silencieux peut entraîner de graves brûlures.



AVERTISSEMENT : L'exposition aux vibrations générées lors de l'utilisation d'outils à moteurs thermiques peut entraîner des lésions vasculaires ou nerveuses au niveau des doigts, des mains et des poignets chez les personnes sujettes à des troubles de la circulation ou à des phénomènes de tuméfactions anormaux. En outre, il a été démontré que l'utilisation prolongée par temps froid entraînait des lésions des vaisseaux sanguins chez les personnes saines. En cas d'apparitions de symptômes tels que des engourdissements, douleurs, pertes de force, changements de la couleur ou de la texture de la peau ou pertes de sensation au niveau des doigts, des mains ou des poignets, interrompez immédiatement l'utilisation de la machine et consultez un médecin.



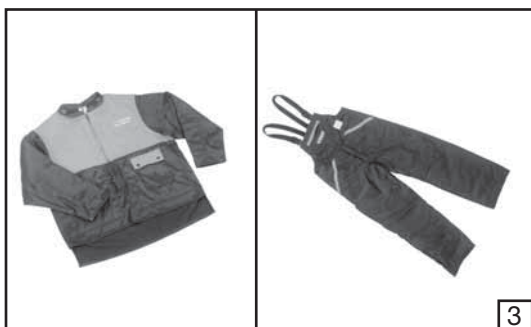
AVERTISSEMENT : Les vapeurs d'échappement du moteur de ce produit contiennent des substances chimiques que l'état de Californie a reconnues à l'origine de cancers, d'anomalies congénitales ou d'autres troubles de la reproduction. Utilisez votre tronçonneuse en extérieur, exclusivement dans une zone bien ventilée.



1



2



3



4



5

Précautions de base

- Lisez attentivement le présent manuel jusqu'à ce que vous ayez intégralement compris les règles de sécurité, les mesures de précaution et les instructions relatives au fonctionnement, et que soyez en mesure de les appliquer avant toute utilisation de la machine.
- Limitez l'utilisation de la tronçonneuse à des utilisateurs adultes capables de comprendre et d'appliquer les règles de sécurité, les mesures de précaution et les instructions relatives au fonctionnement indiquées par le présent manuel. L'utilisation de la machine par des mineurs est fortement déconseillée.
- Ne manipulez et n'utilisez pas la machine lorsque vous êtes fatigué, malade ou perturbé, ou sous l'emprise de l'alcool, de drogues ou de médicaments. Vous devez être en bonne forme physique et en pleine possession de vos capacités mentales. L'utilisation d'une tronçonneuse est relativement ardue et pénible. Si vous présentez un état susceptible d'être aggravé par une tâche physiquement exigeante, consultez préalablement votre médecin (Fig. 1). Soyez plus vigilant avant les périodes de repos et en en proximité de la fin de votre tour de travail.
- Maintenez les enfants, passants et animaux à une distance minimale de 10 mètres (35 pieds) de la zone de travail. Ne tolérez la présence d'aucune personne ou animal à proximité immédiate de la tronçonneuse lors du démarrage ou en utilisation (Fig. 2).
- La plupart des accidents liés à l'utilisation d'une tronçonneuse sont dus à une percussion de l'utilisateur par la chaîne. Portez en permanence des équipements de sécurité homologués lorsque vous utilisez la tronçonneuse. Toutefois, le port de vêtements de sécurité n'élimine pas les risques de blessures, mais il peut en réduire les effets en cas d'accident. Demandez conseil à votre distributeur habituel pour le choix des équipements conformes à la réglementation. Les vêtements utilisés ne doivent en aucun cas entraver les mouvements. Portez un vêtement anti-coupe près du corps. **La veste (Fig. 3), la salopette (Fig. 3) et les jambières sont des équipements idéaux.** Ne portez pas de vêtements, écharpes, cravates ou bijoux susceptibles de s'accrocher au bois ou aux buissons. Nouez les cheveux longs et protégez-les (par exemple, à l'aide d'un foulard, d'une casquette, d'un casque, etc.). **Chaussure ou bottes de sécurité coquées et équipées de semelles antidérapantes (Fig. 4). Portez un casque de protection (Fig. 5) dans les zones où des objets sont susceptibles de chuter. Portez des lunettes de sécurité ou une visière de protection ! Utilisez des protections anti-bruit, notamment un casque anti-bruit (Fig. 5) ou des protège-tympons.** L'utilisation de protections anti-bruit requiert une attention supplémentaire en ce sens que la perception des signaux sonores d'avertissement en cas de danger (tels que cris, alarmes, etc.) est réduite. **Portez des gants anti-coupe (Fig. 6).**
- Ne prêtez votre tronçonneuse qu'à des utilisateurs expérimentés rompus au fonctionnement et à l'utilisation corrects des tronçonneuses. Fournissez-leur le manuel contenant le mode d'emploi qu'ils devront lire avant d'utiliser la tronçonneuse.
- Contrôlez quotidiennement votre tronçonneuse afin de garantir que chaque dispositif de sécurité ou autre fonctionne correctement.
- Ne travaillez jamais avec une tronçonneuse endommagée, modifiée ou mal réparée ou mal montée. Ne démontez, endommagez ou neutralisez jamais l'un des dispositifs de sécurité. Utilisez exclusivement des guide-chaîne de la longueur indiquée dans le tableau (page 47). Remplacez immédiatement un guide-chaîne, une protection de main ou un frein de chaîne endommagés, cassés ou démontés pour toute autre raison.
- Élaborez toujours votre plan de découpe à l'avance. Ne débutez aucune tâche avant d'avoir une zone de travail dégagée, une assise stable, et, en cas d'abattage, un chemin de dégagement préalablement établi.
- Adressez-vous à un professionnel qualifié pour toute autre intervention ne figurant pas dans le présent manuel.
- La tronçonneuse est exclusivement destinée à la coupe de bois. Il est fortement déconseillé de couper un autre type de matériau.



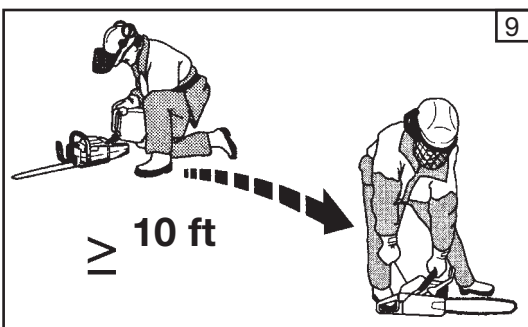
6



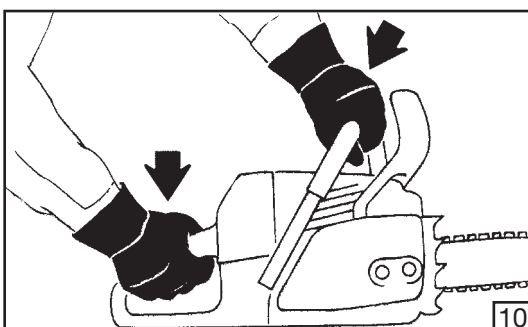
7



8



9



10

- Il est fortement déconseillé de raccorder à la prise de force de la tronçonneuse tout outil ou accessoire non spécifié par le fabricant.

Manipulation du carburant



AVERTISSEMENT : L'essence est un carburant hautement inflammable. Manipulez l'essence ou le mélange de carburant avec une extrême précaution. Ne fumez pas ou ne produisez pas de source de flamme à proximité du carburant ou de la tronçonneuse (Fig.7).

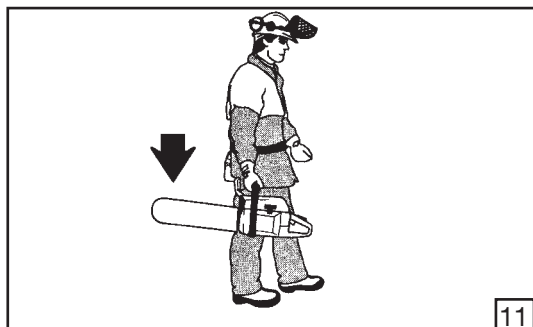
- **Manipulez le carburant avec une extrême précaution afin d'éviter tout risque d'incendie ou de brûlure. Le carburant est hautement inflammable.**
- Faites le mélange et conservez le carburant dans un conteneur approuvé pour l'entreposage d'essence (Fig. 8).
- Faites le mélange de carburant en extérieur, en l'absence de toute source d'étincelles ou de flammes.
- Choisissez une surface dégagée, coupez le moteur et laissez refroidir avant de faire le plein.
- Devissez lentement le bouchon de carburant afin de libérer la pression et d'empêcher le carburant de s'écouler par le bouchon.
- Resserrez fermement le bouchon de carburant après remplissage. Sous l'effet des vibrations de la machine, un bouchon mal refermé peut se desserrer, voire s'ouvrir, entraînant un déversement du carburant.
- Essuyez toute trace de carburant sur la tronçonneuse. Déplacez-vous à 3 mètres (10 pieds) de la zone de remplissage avant de démarrer le moteur (Fig. 9).
- Ne tentez en aucun cas de brûler le carburant déversé.
- Ne fumez pas en manipulant le carburant ou en utilisant la tronçonneuse.
- Entrez le carburant dans un endroit sec, frais et suffisamment ventilé.
- Ne placez jamais la tronçonneuse sur un matériau facilement inflammable, notamment sur des feuilles mortes, de la paille, du papier, etc.
- Entrez la machine et le carburant dans un endroit exempt de sources d'étincelles ou de flammes nues, de moteurs électriques, d'interrupteurs, de fours, etc., susceptibles d'enflammer les vapeurs de carburant.
- Ne retirez jamais le bouchon du réservoir de carburant lorsque le moteur tourne.
- N'utilisez jamais le carburant pour le nettoyage.
- Veillez à ne pas souiller vos vêtements de carburant.

Fonctionnement et sécurité

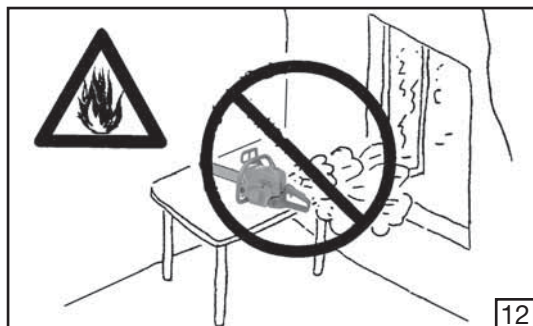


AVERTISSEMENT: Tenez toujours la tronçonneuse à deux mains lorsque le moteur tourne. Enserrez fermement les poignées de la tronçonneuse entre les doigts et le pouce (Fig.10).

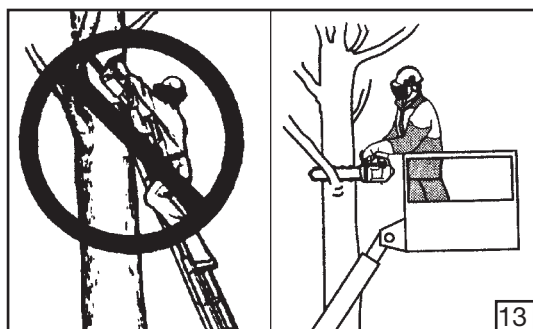
- Tenez toutes les parties du corps à distance de la chaîne lorsque le moteur tourne.
- Transportez toujours la tronçonneuse moteur coupé et frein de chaîne engagé, en plaçant le guide-chaîne et la chaîne vers l'arrière, et le silencieux d'échappement à distance de votre corps. Transportez toujours la tronçonneuse avec son fourreau de guide-chaîne monté (Fig.11, page 44). Pour le transport à bord d'un véhicule, montez toujours le fourreau de guide et de chaîne. Fixez correctement la tronçonneuse afin d'éviter qu'elle ne se renverse, que le carburant ne s'écoule ou que la tronçonneuse ne soit endommagée.
- Engager le frein de chaîne avant de vous repositionner dans la zone de coupe.



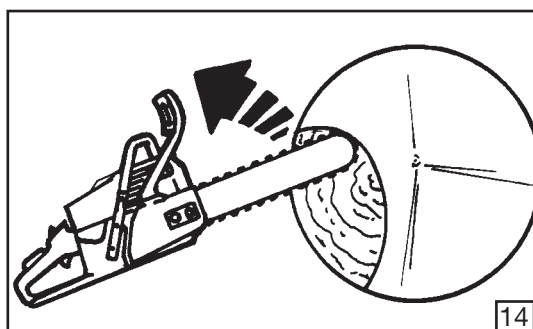
11



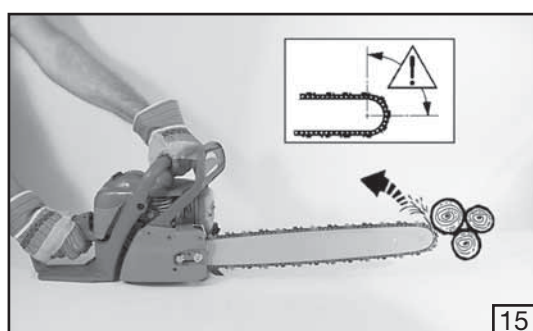
12



13



14



15

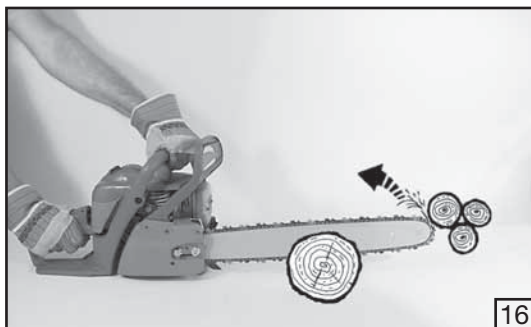
- **N'utilisez jamais la tronçonneuse d'une seule main !** Une telle manipulation peut blesser gravement l'utilisateur ou les personnes se tenant dans la zone de travail. **Une tronçonneuse s'utilise à deux mains.**
- Avant de démarrer le moteur, vérifiez que la chaîne n'est en contact avec aucun objet. Ne tentez jamais de démarrer la tronçonneuse avec le guide engagé dans un sillon de coupe.
- Coupez le moteur avant de poser la tronçonneuse. Ne laissez pas le moteur tourner sans surveillance.
- Par mesure de sécurité supplémentaire, engagez le frein de chaîne avant de poser la tronçonneuse.
- Utilisez exclusivement la tronçonneuse dans une zone suffisamment ventilée, ne l'utilisez pas dans un environnement explosif ou inflammable ou dans des zones confinées (Fig.12). Faites attention à la possibilité d'empoisonnement par monoxyde de carbone.
- N'utilisez pas la tronçonneuse sur une échelle ou directement sur un arbre. Ayez toujours une assise stable et une position appropriée.
- N'exercez pas de pression sur la tronçonneuse en fin de coupe. Le fait d'appliquer une pression peut vous faire perdre le contrôle en fin de coupe.
- N'effectuez aucune opération de coupe à proximité de câbles électriques.
- Tenez vos mains au sec, propres et exemptes d'huile ou de carburant.
- Lorsque la tronçonneuse est en marche, saisissez fermement la poignée avant de la main gauche et la poignée arrière de la main droite. (Fig.10, page 43).
- Lors de la découpe d'une branche en tension, veillez à ne pas vous faire surprendre par l'effet de retour élastique dès que la tension de la fibre du bois est libérée.
- Les petites branches ou les arbustes peuvent bloquer la chaîne puis être expulsés dans votre direction ou vous faire perdre l'équilibre.
- Ne travaillez jamais en plaçant la tronçonneuse en dessus de la hauteur d'épaules (Fig.13).
- Ne démarrez jamais la tronçonneuse si le carter de chaîne n'est pas installé.

Mesures de précaution contre l'effet de rebond



AVERTISSEMENT: Évitez tout phénomène de rebond pouvant entraîner de graves blessures. L'effet de rebond consiste en un mouvement brusque vers l'arrière, vers le haut ou vers l'avant du guide-chaîne se produisant lorsque la zone de la chaîne située à l'extrémité supérieure du guide-chaîne entre en contact avec un objet, tel qu'un rondin ou une branche, ou lorsque la bille de bois se referme et vient coincer la chaîne dans le plan de coupe. Le contact avec un corps étranger dans le bois peut également entraîner une perte de contrôle de la tronçonneuse.

- **Le rebond par rotation** peut se produire lorsque la chaîne en mouvement entre en contact avec un objet au niveau de l'extrémité supérieure du guide-chaîne. Ce contact peut entraîner la chaîne à s'enfoncer dans l'objet, ce qui a pour effet de stopper la chaîne pendant un instant. Cet arrêt de la chaîne génère une réaction extrêmement rapide ayant pour effet de relever le guide-chaîne et de le renvoyer en direction de l'opérateur (Fig.14-15 et Fig. 16).
- **Le rebond par pincement** peut se produire lorsque la bille de bois se referme et vient pincer la chaîne en mouvement au niveau de l'extrémité du guide-chaîne, stoppant immédiatement le mouvement de la chaîne. Cet arrêt soudain de la chaîne résulte en une inversion de la force utilisée pour couper le bois et entraîne la tronçonneuse dans le sens opposé de la rotation de la chaîne. La tronçonneuse est violemment ramenée en direction de l'opérateur.



16

- **Le phénomène de tirage** peut se produire lorsque la chaîne en mouvement rencontre un corps étranger dans le bois au niveau de la partie inférieure du guide-chaîne, entraînant l'arrêt soudain de la chaîne. Cet arrêt soudain a pour effet de propulser la tronçonneuse dans la direction opposée à l'opérateur, qui risque alors très facilement de perdre le contrôle de la machine.

Comment éviter l'effet de rebond par pincement:

- Soyez particulièrement vigilant dans les situations où le matériau est susceptible de venir coincer l'extrémité supérieure du guide-chaîne ou venir stopper le mouvement de la chaîne.
- Ne coupez pas plus d'un rondin à la fois.
- Ne faites pas osciller la machine en retirant le guide-chaîne d'une entaille de coupe lors du débitage.

Comment éviter le phénomène de tirage:

- Entamez toujours votre coupe en mettant la pleine puissance du moteur et en plaquant le carter de la tronçonneuse contre la bille de bois.
- Utilisez des coins d'abattage en plastique ou en bois. N'utilisez jamais de coins en métal pour maintenir l'entaille ouverte.

Comment réduire le risque de rebond

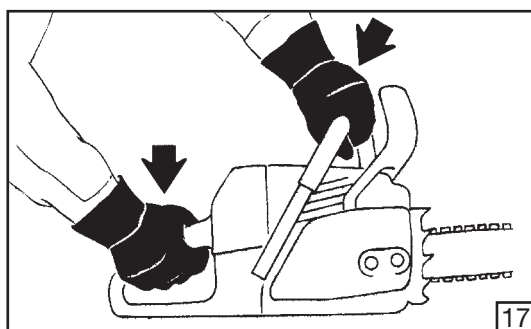


Sachez toujours identifier les situations où le phénomène de rebond peut se produire. C'est par la connaissance des bases du principe du rebond que vous parviendrez à réduire l'effet de surprise souvent attribué aux accidents.

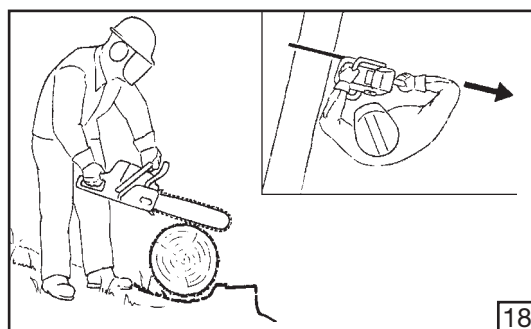
- Ne laissez jamais la chaîne en mouvement venir au contact d'un objet au niveau de l'extrémité du guide-chaîne.
- Dégagez la zone de travail de tout objet encombrant, tel que les arbres, branches, rochers, haies, souches, etc. Retirez ou évitez tout objet susceptible de venir au contact de votre machine lors du tronçonnage d'une bûche ou d'une branche.
- Maintenez votre chaîne correctement affûtée et tendue. Une chaîne détendue ou émoussée accroît le risque de rebond. Suivez les instructions d'affûtage et d'entretien fournies par le fabricant. Contrôlez la tension de chaîne à intervalles réguliers, moteur coupé et jamais en fonctionnement. Vérifiez que les écrous de frein de chaîne sont serrés correctement après chaque tension de chaîne.
- Entamez et procédez à la coupe à plein régime. Le risque de rebond est d'autant plus élevé que la vitesse de la chaîne est faible.
- Ne coupez qu'un seul rondin à la fois.
- Faites particulièrement attention lorsque vous insérez à nouveau la chaîne dans une entaille débutée préalablement.
- Ne tentez pas d'entamer une coupe avec l'extrémité du guide-chaîne (coupe en plongée).
- Prenez garde aux rondins susceptibles de riper ou à toute autre force susceptible de refermer une entaille de coupe et de venir coincer ou chuter sur la chaîne.
- Utilisez des guide-chaîne et des chaînes équipés de dispositifs permettant de réduire l'effet de rebond spécifiés pour votre tronçonneuse.

Comment garder le contrôle (Fig.17-18)

- Tenez fermement la tronçonneuse à deux mains lorsque le moteur tourne et ne la lâchez pas. En maintenant fermement la tronçonneuse, vous réduirez le risque de rebond et garderez le contrôle de la machine. Positionnez les doigts de votre main gauche sur la poignée avant et venez enserrer la poignée avec le pouce gauche par en dessous. Saisissez la poignée arrière de la main droite, que vous soyez droitier ou gaucher. Votre bras gauche doit être tendu et le coude bloqué.



17



18

- Enserrez la poignée avant de la main gauche de telle façon qu'elle soit en ligne droite avec la main droite saisissant la poignée arrière lorsque vous effectuez une coupe de débitage. N'inversez jamais la position des mains quel que soit le type de coupe effectué.
- Tenez-vous sur vos deux pieds, le poids également réparti.
- Positionnez-vous légèrement sur la gauche de la tronçonneuse de façon à éviter que votre corps soit directement en ligne avec la chaîne.
- Ne vous penchez pas trop, sous peine de perdre l'équilibre et le contrôle de la machine.
- Ne travaillez jamais en plaçant la tronçonneuse en dessus de la hauteur d'épaules. Il est extrêmement difficile de maintenir le contrôle d'une machine placée au-dessus de la hauteur d'épaules.

Dispositifs de sécurité contre l'effet de rebond



AVERTISSEMENT: les dispositifs suivants sont fournis avec votre tronçonneuse et vous permettent de réduire le risque de rebond; toutefois, ces dispositifs ne suppriment pas totalement ce phénomène dangereux. En tant qu'utilisateur, ne vous fiez pas uniquement à ces dispositifs de sécurité. Vous devez respecter toutes les précautions et recommandations relatives à la sécurité et à l'entretien fournies par le présent manuel de façon à éviter l'effet de rebond ou tout autre phénomène susceptible d'entraîner de graves blessures.

- Guide-chaîne à réduction de l'effet de rebond, équipé d'une extrémité à faible rayon permettant de réduire la zone de risque de rebond au niveau de l'extrémité du guide-chaîne. Il a été démontré que l'utilisation d'un guide-chaîne à réduction de l'effet de rebond permet de réduire façon significative le nombre et l'importance des rebonds lors d'essais effectués conformément aux exigences de sécurité relatives aux tronçonneuses thermiques définies par la norme ANSI B175.1 - 1991.
- Chaîne à effet rebond réduit, équipée d'un limiteur de profondeur profilé et d'un maillon de sécurité, déviant la force de rebond et permettant au bois de pénétrer graduellement dans le maillon-gouge. L'essai d'une chaîne à réduction de l'effet de rebond sur un échantillon significatif de tronçonneuses d'une cylindrée inférieure à 62,3 cm³ a prouvé la conformité d'un tel dispositif relativement aux normes anti-rebond définies par la norme ANSI B175.1 - 1991.
- Poignée avant, conçue pour réduire le risque de contact entre la chaîne et votre main, si celle-ci ripe de la poignée avant.
- La position des poignées avant et arrière, définie en fonction de la distance séparant l'une de l'autre et de l'alignement des deux poignées. L'écartement et l'alignement des deux poignées proposés par cette conception aident à maintenir l'équilibre et la résistance nécessaires pour contrôler la rotation de la machine en cas de rebond ramenant violemment la tronçonneuse vers l'opérateur.

Frein de chaîne

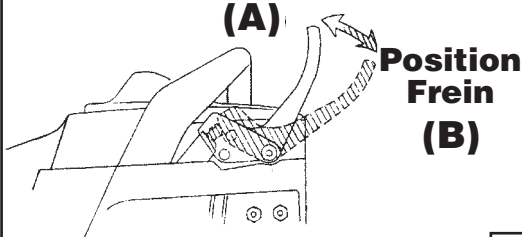
Les freins de chaîne sont conçus pour stopper rapidement la rotation de la chaîne. Lorsque le levier de frein de chaîne/protecteur de main est poussé vers le guide, la chaîne doit s'arrêter immédiatement. **Un frein de chaîne ne permet pas d'empêcher le rebond.**

La **Position Fonctionnement (A)** et **Position Frein (B)** sont illustrées sur la Fig.19.

Le frein de chaîne doit être nettoyé et testé quotidiennement. Procédez au nettoyage du frein de chaîne conformément aux instructions de la section Entretien-Frein de chaîne et procédez au test conformément aux instructions de la section Fonctionnement-Fonctionnement du frein de chaîne.

Position Fonctionnement

(A)



Position
Frein
(B)

19



AVERTISSEMENT : Même s'il est entretenu correctement, le fonctionnement correct du frein de chaîne sur le terrain ne peut être garanti.



AVERTISSEMENT : EN AUCUN CAS, NOUS NE GARANTISSONS, ET VOUS NE DEVEZ CONSIDÉRER, QUE LE FREIN DE CHAÎNE VOUS PROTÉGERA EN CAS DE REBOND. NE VOUS FIEZ PAS EXCLUSIVEMENT AUX DISPOSITIFS ÉQUIPANT VOTRE MACHINE. IL VOUS INCOMBE D'UTILISER LA MACHINE CORRECTEMENT ET AVEC PRÉCAUTION AFIN D'ÉVITER TOUT RISQUE DE REBOND.

Guide-chaîne et chaîne à réduction de l'effet rebond

Équipements recommandés, les guide-chaîne et chaînes à réduction de l'effet rebond réduisent le risque et l'importance du rebond. Votre tronçonneuse est équipée en série de ces dispositifs. Toute réparation du frein de chaîne doit être exclusivement réalisée par un réparateur agréé. Rapportez votre machine sur le lieu d'achat ou chez le réparateur agréé le plus proche.



AVERTISSEMENT : L'angle de rebond calculé (CKA) indiqué sur votre tronçonneuse ainsi que dans le tableau d'angles de rebond calculés ci-dessous correspond à l'angle de rebond de l'ensemble guide-chaîne et chaîne testé conformément aux normes édictées par la norme ANSI. Lors de l'achat d'un guide-chaîne et d'une chaîne de remplacement, les valeurs inférieures d'angles de rebond calculés indiquées ci-dessous doivent être préférées. En effet, les valeurs plus faibles d'angles de rebond calculé correspondent à des angles plus sûrs pour l'utilisateur, et les valeurs plus élevées indiquent un angle plus important et des forces de rebond plus importantes. Les angles calculés indiqués représentent l'énergie totale et l'angle associé sans actionnement du frein de chaîne en cas de rebond. L'angle activé correspond à la durée d'arrêt de la chaîne par rapport à l'angle d'activation du frein de chaîne et de l'angle résultant de la tronçonneuse. Dans tous les cas, les valeurs les plus faibles d'angle de rebond calculé correspondent à un environnement de travail plus sûr pour l'opérateur. Les combinaisons suivantes de guide-chaîne et de chaînes utilisées sur les tronçonneuses indiquées dans le présent manuel sont conformes à la norme ANSI B175.1. L'utilisation de combinaisons guide-chaîne/chaînes autres que celles indiquées n'est pas recommandée et peut ne pas être conforme aux normes en matières d'angle de rebond calculé.



AVERTISSEMENT : N'équipez pas votre tronçonneuse Efco d'un guide-chaîne arqué. Le risque de rebond est accru avec l'utilisation d'un guide-chaîne arqué du fait de l'augmentation de la zone de contact de rebond.

Combinaisons guide-chaîne/chaînes recommandées

Modèle	Longueur Guide-chaîne	Oregon ref. Guide-chaîne	Pas Chaîne	Drive Link Quantité Maillon Jonction	Oregon ref. Chaîne	CKA sans Frein de Chaîne
MT 5200	16"	160PXBK095 160SLBK095	.325" x .050"	66	20 BPX 66	MAX 45°
MT 5200	16"	168PXBK095 168SLBK095	.325" x .058"	66	21 BPX 66	
MT 5200	18"	180PXBK095 180SLBK095	.325" x .050"	72	20 BPX 72	
MT 5200	18"	188PXBK095 188SLBK095	.325" x .058"	72	21 BPX 72 33 SL 72	
MT 5200	20"	200PXGK095 200SLGK095	.325" x .050"	78	20 BPX 78	
MT 5200	20"	208PXGK095 208SLGK095	.325" x .058"	78	21 BPX 78 33 SL 78	



AVERTISSEMENT: Il est possible que les angles calculés par ordinateur de la section 5.11 de la norme ANSI B 175.1 – 2000 n'aient aucune relation avec les angles de rotation de rebond effectifs obtenus en situations réelles de tronçonnage.

En outre, les dispositifs conçus pour réduire les blessures liées au phénomène de rebond peuvent perdre en efficacité lorsque leur état ne correspond plus à leur état initial, particulièrement si leur entretien n'a pas été correctement effectué.

La conformité à la section 5.11 de la norme ANSI B 175.1 – 2000 ne signifie pas obligatoirement que dans les conditions réelles de rebond, le guide et la chaîne tourneront de 45°.

Mesures de précaution pour réduire les risques liés aux vibrations

- La tronçonneuse est équipée d'un système anti-vibrations (AV) ; ne le modifiez jamais.
- Portez des gants et tenez vos mains au chaud.
- Tenez toujours la chaîne affûtée et effectuez correctement l'entretien de la tronçonneuse, notamment le système AV. Une chaîne émoussée rallonge le temps de coupe, et le fait d'introduire une chaîne émoussée dans une bille de bois augmente les vibrations transmises directement aux mains.
- Maintenez fermement la tronçonneuse sans pour cela "écraser" les poignées en continu; faites de fréquentes pauses. Toutes les mesures de précautions citées ci-dessus ne garantissent pas que vous ne souffrirez pas du syndrome des doigts morts ou canal carpien. Par conséquent, il est fortement recommandé aux utilisateurs réguliers de surveiller l'état de leurs mains et de leurs doigts. En cas d'apparition de l'un des symptômes précédemment cités, consultez immédiatement un médecin.

Précaution d'entretien



AVERTISSEMENT: n'utilisez jamais une tronçonneuse endommagée, mal réglée, ou mal/partiellement montée.

- Vérifier que la chaîne s'arrête lorsque vous relâchez la gâchette des gaz. Si la chaîne se déplace au régime de ralenti, il est peut-être nécessaire de procéder au réglage du carburateur ; voir la section Fonctionnement-Réglage du carburateur. Si la chaîne se déplace toujours après réglage du carburateur, contactez un réparateur agréé pour effectuer les réglages et n'utilisez plus la machine tant que la réparation n'a pas été effectuée.



AVERTISSEMENT : Hormis les instructions d'entretien fournies par le Manuel de l'opérateur, toutes les autres procédures d'entretien de la tronçonneuse doivent être effectuées par un personnel de maintenance qualifié. (En cas d'utilisation d'outils non appropriés pour le démontage du volant-moteur ou de l'embrayage, ou pour le maintien du volant-moteur en vue du démontage de l'embrayage, le volant-moteur peut subir des dégâts structurels à l'origine de son éclatement pouvant causer de graves blessures).

- Ne modifiez en aucune façon les caractéristiques de votre tronçonneuse.
- Tenez vos mains au sec, propres et exemptes d'huile ou de carburant.

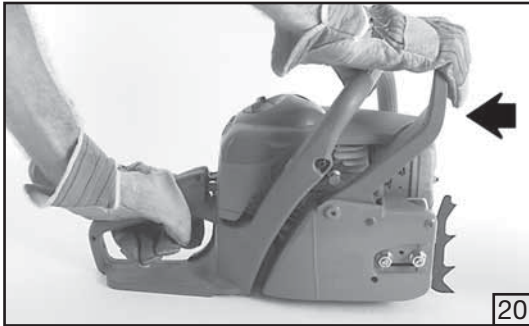


AVERTISSEMENT: Utilisez exclusivement des accessoires et des pièces de rechange préconisés.

- Ne touchez jamais la chaîne ou n'effectuez jamais l'entretien lorsque le moteur tourne.
- N'utilisez jamais le carburant pour le nettoyage.
- Entrez la tronçonneuse dans un endroit sec et non directement sur le sol, avec le couvre-chaîne monté et les réservoirs vides.
- Si votre tronçonneuse n'est plus utilisable, mettez-la au rebut de façon appropriée en respectant l'environnement, en la retournant notamment à votre distributeur qui se chargera de sa mise au rebut dans le respect de la réglementation.
- Remplacez immédiatement tout dispositif de sécurité endommagé ou cassé.



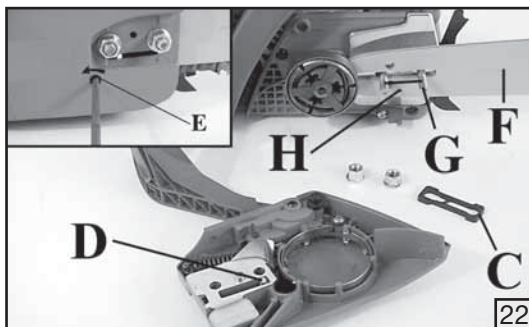
AVERTISSEMENT : le silencieux ainsi que d'autres pièces du moteur (notamment les ailettes du cylindre, la bougie d'allumage) atteignent des températures très élevées en fonctionnement et après arrêt de la machine. Afin de réduire les risques de brûlure, ne touchez pas le silencieux ou les autres pièces lorsqu'elles sont encore chaudes.



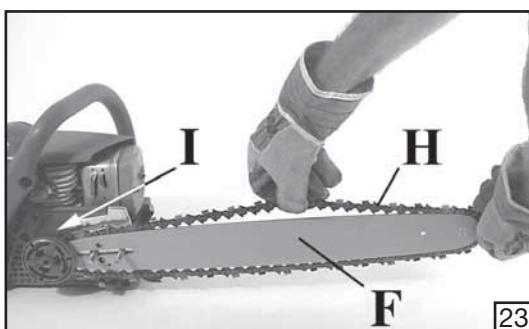
20



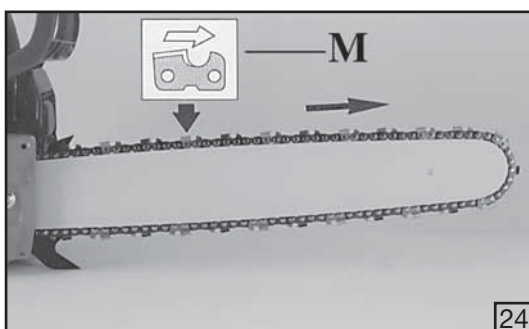
21



22



23



24

Montage du guide-chaîne et de la chaîne



AVERTISSEMENT: Contrôlez fréquemment la tension de la chaîne lorsque vous utilisez la tronçonneuse. Ne touchez ou ne réglez jamais la chaîne lorsque le moteur tourne. La chaîne est extrêmement affûtée; portez en permanence des gants de protection lorsque vous effectuez l'entretien de la chaîne.

1. Vérifiez que le frein de chaîne n'est pas appliqué en tirant le levier de frein de chaîne / protecteur de main vers la poignée avant comme indiqué dans la Fig. 20. Voir les sections Sécurité-Frein de chaîne et Fonctionnement-Frein de chaîne pour de plus amples informations.
2. Retirez les deux (2) écrous de guide-chaîne (A, Fig. 21) et le couvercle d'embrayage (B).
3. **Retirez et jetez l'entretoise de transport en plastique (C, Fig. 22) montée sur les goujons du guide-chaîne en lieu et place du guide pour le transport.**
4. Réglez la goupille de tension de chaîne (D) à fond vers la bande de frein en tournant la vis de tension de chaîne (E) dans le sens inverse des aiguilles d'une montre comme indiqué dans l'insert de la Fig. 22.
5. Le guide-chaîne (F) est équipé d'une fente dans laquelle se montent les goujons pour guide-chaîne (G). Il est également équipé de deux orifices pour la goupille de tension de chaîne (H) et de deux orifices de graissage, un de chaque côté. Le guide-chaîne est réversible et l'un ou l'autre orifice pour goupille de tension de chaîne peut être utilisé indifféremment.
6. Monter le guide-chaîne (F) sur les goujons (G) comme indiqué dans la Fig. 22.
7. Insérer le guide-chaîne (F) dans la boucle de chaîne (H) comme indiqué dans la Fig. 23. Les gouges sur la partie supérieure du guide-chaîne doivent être orientées vers l'extrémité avant du guide, dans le sens de rotation de la chaîne. Voir l'insert (M) de la Fig. 24.
8. Passer la chaîne (H) sur le pignon à flasques (I) puis dans la rainure du guide-chaîne.



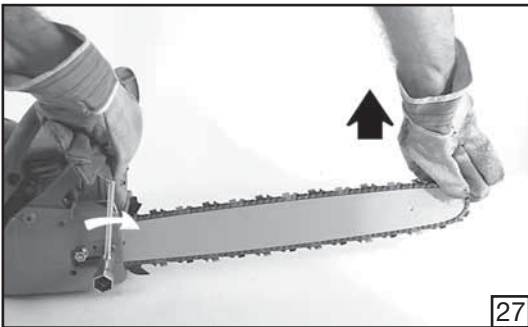
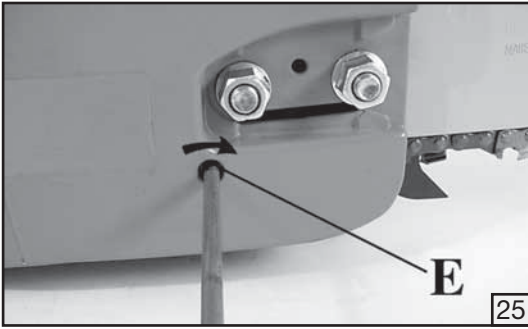
MISE EN GARDE: Le pignon à flasques, le tambour d'embrayage, le guide-chaîne et la chaîne peuvent être sérieusement endommagés si la chaîne n'est pas correctement insérée dans le pignon à flasques.

9. Remontez le couvercle d'embrayage (B). Tournez la vis de tension de chaîne (E) dans le sens des aiguilles d'une montre (comme indiqué dans la Fig. 25, page 50) jusqu'à ce que la goupille de tension de chaîne (D) se loge dans l'orifice de goupille de tension de chaîne (H). Montez les deux écrous de guide-chaîne (A). Serrez-les à la main. Le guide-chaîne doit pouvoir se déplacer librement pour le réglage de la tension.



MISE EN GARDE: La tronçonneuse subira de graves dégâts lors du remontage du couvercle d'embrayage si la goupille de tension de chaîne n'est pas correctement logée dans l'orifice de goupille de tension de chaîne.

REMARQUE: Si le couvercle d'embrayage ne s'insère pas librement, vérifiez que le frein de chaîne n'est pas appliqué. Pour désengager le frein de chaîne alors que le couvercle d'embrayage est déposé, saisissez le couvercle d'embrayage comme indiqué dans la Fig. 20 et tirez le levier de frein de chaîne/protecteur de main vers l'arrière.



10. Éliminez tout jeu au niveau de la chaîne en tournant la vis de tension de chaîne (**E**) dans le sens des aiguilles d'une montre, en vérifiant que la chaîne est bien logée dans la rainure du guide-chaîne lors du réglage de la tension.
11. Soulevez la partie supérieure du guide-chaîne pour vérifier le jeu (Voir Fig. 26). Relâchez la partie supérieure du guide-chaîne et tournez la vis de tension de chaîne (**E**) d'un demi-tour dans le sens des aiguilles d'une montre. Répétez cette procédure jusqu'à suppression de tout jeu.
12. Maintenez l'extrémité du guide-chaîne et serrez les écrous de guide comme indiqué dans la Fig. 27.
13. La chaîne est tendue correctement lorsque la partie inférieure du guide-chaîne ne présente aucun jeu; la chaîne est relativement serrée mais peut être tournée à la main sans contrainte (Voir Fig. 28). Vérifiez que le frein de chaîne n'est pas appliqué.

REMARQUE: Si la chaîne est montée trop serrée, elle ne pourra tourner. Desserrez légèrement les écrous de guide-chaîne et tournez la vis de réglage d'un quart de tour dans le sens inverse des aiguilles d'une montre. Soulevez l'extrémité du guide-chaîne et resserrez les écrous.



AVERTISSEMENT: Contrôlez fréquemment la tension de la chaîne lorsque vous utilisez la tronçonneuse. Ne touchez ou ne réglez jamais la chaîne lorsque le moteur tourne. La chaîne est extrêmement affûtée; portez en permanence des gants de protection lorsque vous effectuez l'entretien de la chaîne.



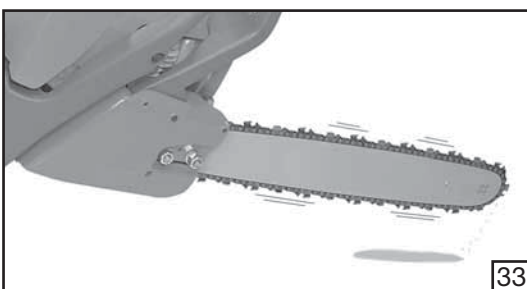
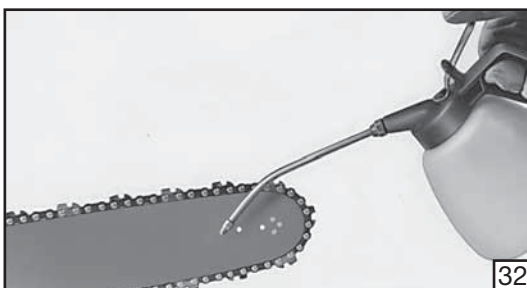
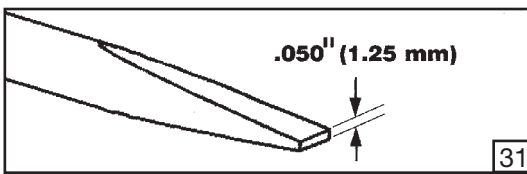
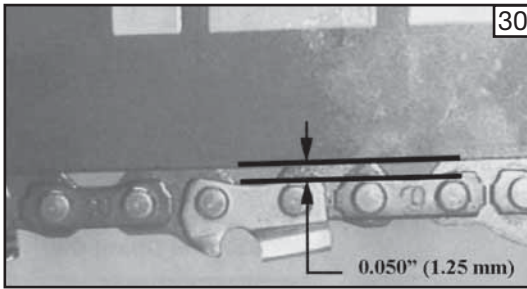
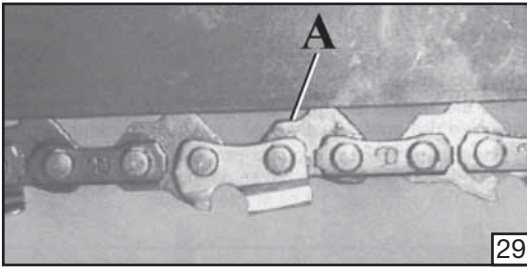
AVERTISSEMENT: La chaîne de rechange doit posséder des caractéristiques de rebond identiques, voire inférieures à la chaîne d'origine.



AVERTISSEMENT: Si la tronçonneuse est utilisée avec une chaîne détendue, celle-ci peut échapper du guide-chaîne et entraîner de graves blessures.



AVERTISSEMENT: Ne démarrez jamais la tronçonneuse alors que le couvercle de pignon est desserré.



Tension de la chaîne

AVERTISSEMENT: Ne touchez ou ne réglez jamais la chaîne alors que le moteur tourne. La chaîne est extrêmement affûtée ; portez en permanence des gants de protection lorsque vous effectuez l'entretien de la chaîne.

1. **Coupez le moteur avant de procéder au réglage de la tension de chaîne.** Desserrez légèrement les écrous de guide-chaîne, tournez la vis de tension de chaîne **dans le sens des aiguilles d'une montre** pour tendre la chaîne. Voir la section Montage-Montage du guide-chaîne et de la chaîne. Resserrez les écrous de guide-chaîne. Une chaîne à froid est tendue correctement lorsque la partie inférieure du guide-chaîne ne présente aucun jeu; la chaîne est relativement serrée mais peut être tournée à la main sans contrainte. Reportez-vous au paragraphe 3 pour ce qui concerne une chaîne chaude.
2. La chaîne doit être tendue lorsque les méplats **(A)** sur les tenons des maillons-guides sortent de la rainure du guide-chaîne. Voir Fig. 29.
3. En fonctionnement normal, la température de la chaîne augmente. Les tenons des maillons-guides d'une chaîne tendue correctement doivent dépasser d'environ 1,25 mm de la rainure du guide-chaîne. Voir Fig. 30. Afin de déterminer la tension correcte d'une chaîne chaude, il est possible d'utiliser l'extrémité d'une clé mixte (Fig. 31) comme indicateur.

MISE EN GARDE: Une chaîne tendue alors qu'elle est chaude peut être trop serrée lorsqu'elle refroidit. Contrôlez la "tension à froid" avant une utilisation ultérieure.

MISE EN GARDE: Une chaîne neuve doit être retendue plus fréquemment qu'une chaîne déjà utilisée à plusieurs reprises.

Rodage de la chaîne

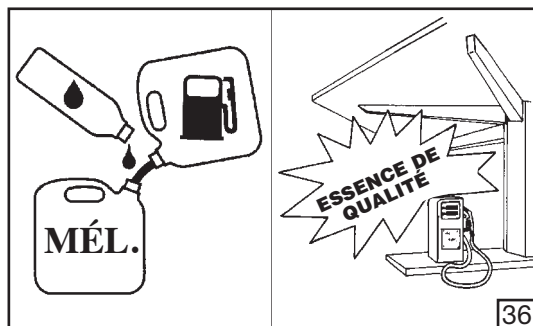
Les chaînes neuves ont tendance à s'étirer et doivent être tendues fréquemment. Soulevez la chaîne hors de la rainure du guide-chaîne et lubrifiez la rainure (Voir Fig. 32). Placez la tronçonneuse sur un morceau de carton ou de contreplaqué. Démarrez la tronçonneuse (Voir la section Fonctionnement-Démarrage du moteur) et laissez-le tourner à régime modéré pendant une (1) minute environ. **Coupez le moteur.** Contrôlez le bon fonctionnement de la pompe à huile. Le morceau de carton doit recueillir l'excès d'huile de la chaîne en rotation si la pompe à huile fonctionne correctement (Voir Fig. 33). Réglez la tension de chaîne (Voir la section Fonctionnement-Tension de chaîne). Redémarrez la tronçonneuse et effectuez quelques coupes sur un rondin de façon à chauffer la chaîne. Coupez le moteur et réglez à nouveau la chaîne. Répétez cette procédure jusqu'à ce que la chaîne conserve un réglage de tension à chaud correct, comme indiqué dans la Fig. 30 de la section Fonctionnement-Tension de la chaîne. **Ne touchez jamais le sol avec la chaîne.**



34



35



36



37

Crampon de débitage

AVERTISSEMENT: Votre tronçonneuse est équipée d'un crampon de débitage (A, Fig.34). Ce crampon de débitage est extrêmement affûté et peut entraîner des blessures. Soyez extrêmement vigilant lorsque vous intervenez à proximité du crampon de débitage.

AVERTISSEMENT: Le démontage du crampon de débitage entraîne une non-conformité de la tronçonneuse avec la norme SAE J335 ainsi que d'autres normes. Voir la section Sécurité-Réglementations nationales et locales.

Alimentation en carburant (Interdiction de fumer!) (Fig. 37)

Ce produit est équipé d'un moteur deux temps et nécessite un mélange préalable d'essence et d'huile pour moteurs deux temps. Effectuez le mélange d'essence sans plomb et d'huile pour moteur deux temps dans un conteneur propre et adapté pour l'essence (Fig. 35).

CARBURANT RECOMMANDÉ: CE MOTEUR EST CERTIFIÉ POUR FONCTIONNER AVEC DE L'ESSENCE SANS PLOMB POUR USAGE AUTOMOBILE PRÉSENTANT UN INDICE D'OCTANE DE 89 ((R + M) / 2) OU SUPÉRIEUR (Fig. 36).

Mélangez l'huile pour moteur deux temps à l'essence conformément aux instructions fournies sur l'étiquette. Il est vivement recommandé d'utiliser 2 % (1:50) d'huile Efco pour moteurs deux temps, car cette huile est spécialement formulée pour tous les moteurs Efco à deux temps à refroidissement par air. Les proportions d'huile / de carburant indiquées dans le tableau ci-dessous conviennent en cas d'utilisation de l'huile Efco pour moteurs deux temps ou d'une autre huile moteur de haute qualité équivalente (JASO FD ou ISO L-EGD).

Si l'huile utilisée présente des spécifications **NON** équivalentes ou inconnues, la proportion du mélange huile / carburant doit être de 4% (1:25).

MISE EN GARDE: N'UTILISEZ PAS D'HUILE POUR AUTOMOBILE OU D'HUILE POUR MOTEUR DEUX TEMPS DE HORS-BORD.

MISE EN GARDE:
 - Adaptez vos achats de carburant à votre consommation; n'en achetez pas plus que vous en consommerez en un ou deux mois;
 - Entrez l'essence dans un conteneur hermétique et dans un endroit sec et frais.

ATTENTION - Pour le mélange, ne jamais utiliser un carburant dont le pourcentage d'éthanol dépasse 10%; sont admis le gazole (mélange essence/éthanol) avec un pourcentage d'éthanol jusqu'à 10% ou le carburant E10.

Une bonne pratique de la gestion des carburants est nécessaire lors de l'utilisation d'essence oxygénée.

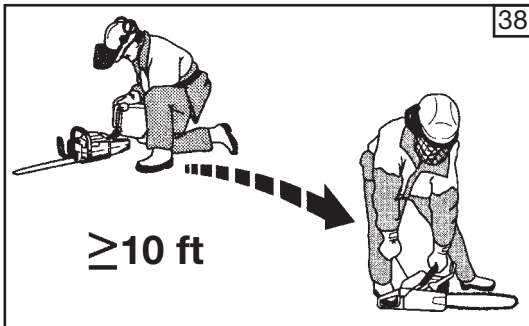
L'essence oxygénée avec de l'alcool retire facilement l'eau lorsqu'elle est présente; cette eau peut se condenser dans l'air humide et contaminer le circuit d'alimentation de carburant, réservoir inclus.

L'utilisation d'essence oxygénée peut faciliter le phénomène de formation de tampon de vapeur.

NOTA - Ne préparer que la quantité requise de mélange ; ne pas laisser le mélange dans le réservoir ou dans le bidon trop longtemps. Il est conseillé d'utiliser le stabilisateur pour carburant **Emak ADDITIX 2000** réf. 001000972 pour conserver le mélange pendant 30 jours.

Essence alkylée

ATTENTION - L'essence alkylée ne présente pas la même densité que l'essence normale. Par conséquent, régler différemment la vis H des moteurs mis au point avec l'essence normale. Pour cette opération, s'adresser à un centre après-vente agréé.



38

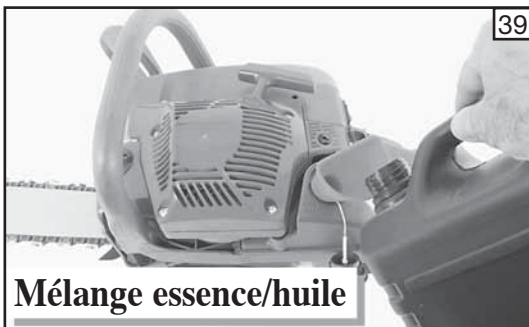
Mélange de carburant

Huile pour moteurs deux temps (25:1) 4 %

Essence	Huile
1 Gallon (US)	5.2 oz.
1 Liter	40 cc (40 ml)

Haute qualité huile pour moteurs deux temps (50:1) 2%

Essence	Huile
1 Gallon (US)	2.6 oz.
1 Liter	20 cc (20 ml)



39

Mélange essence/huile

Remplissage du réservoir (Fig. 39)



AVERTISSEMENT: Respectez les mesures de sécurité pour la manipulation du carburant. Coupez toujours le moteur avant d'approvisionner la machine en carburant. Ne faites jamais l'appoint de carburant alors que le moteur tourne ou s'il est encore chaud. Déplacez-vous à au moins 3 mètres (10 pieds) de la zone de remplissage avant de démarrer le moteur (Fig. 38). **NE FUMEZ PAS !**

1. Nettoyez la surface autour du bouchon de carburant afin d'éviter toute contamination.
2. Dévissez lentement le bouchon de carburant.
3. Versez le mélange de carburant dans le réservoir avec précaution. Évitez de renverser du carburant.
4. Avant de remonter le bouchon de carburant, nettoyez et inspectez le joint d'étanchéité.
5. Remontez et serrez immédiatement le bouchon de carburant. Essuyez tout déversement de carburant.

REMARQUE: Lors de sa première utilisation, un moteur émet une certaine quantité de fumée. Cela est normal.



40

Huile pour la chaîne et le guide-chaîne



AVERTISSEMENT: Contrôlez la présence éventuelle de fuites de carburant, et rectifiez le cas échéant. Contactez un réparateur agréé si nécessaire.

Système de lubrification de la chaîne (Fig. 40)

Le guide-chaîne et la chaîne doivent être lubrifiés en permanence. Cette lubrification s'effectue par le biais d'un dispositif de graissage automatique lorsque le réservoir d'huile est plein. Un manque d'huile endommagera très rapidement le guide et la chaîne. Une trop faible quantité d'huile entraîne une surchauffe matérialisée par un échappement de fumée au niveau de la chaîne et/ou une décoloration du guide-chaîne. Par temps très froid, l'huile a tendance à s'épaissir, ce qui rend nécessaire l'utilisation d'une petite proportion (5 à 10 %) de carburant diesel ou de kérosène pour diluer l'huile du guide et de la chaîne. L'huile de guide et de chaîne doit être non-agglomérante de façon à ce que le circuit d'huile puisse pomper une quantité suffisante d'huile pour garantir une lubrification adéquate.



MISE EN GARDE: N'utilisez jamais d'huile usagée! Utilisez toujours un lubrifiant biodégradable spécifique pour guide-chaîne et chaîne, qui respecte davantage l'environnement et protège les pièces de la tronçonneuse.

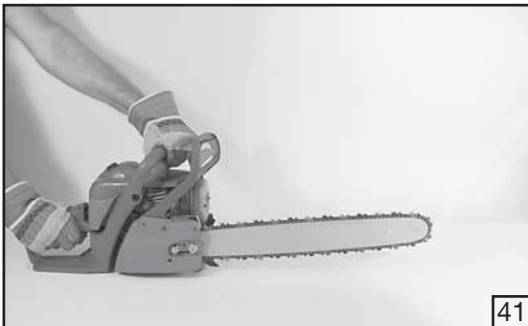


AVERTISSEMENT: N'utilisez pas d'huiles sales, usagées ou contaminées. Cela pourrait endommager la pompe à huile, le guide ou la chaîne.



AVERTISSEMENT: N'utilisez pas d'huile usagée! Des essais médicaux ont démontré qu'un contact répété avec de l'huile usagée peut être à l'origine de cancers de la peau.

1. Faites le plein d'huile à chaque plein de carburant. La tronçonneuse consomme approximativement un plein d'huile par plein de carburant.
2. La pompe à huile automatique est une pompe volumétrique actionnée par pignons entraînés par l'ensemble tambour d'embrayage. La pompe ne fournit aucun graissage lorsque le moteur est au ralenti.



41

Préparation à la coupe

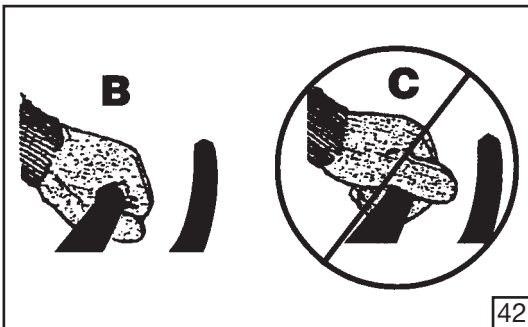
Prise correcte des poignées.

Reportez-vous à la section Sécurité pour ce qui concerne d'équipement de sécurité approprié.

1. Portez des gants antidérapants pour une adhérence et une protection optimales.

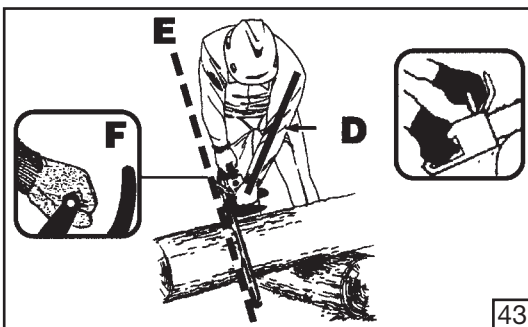


AVERTISSEMENT: Tenez fermement la tronçonneuse à deux mains. Tenez toujours la poignée avant de la MAIN GAUCHE et la poignée arrière (accélérateur) de la MAIN DROITE, comme indiqué dans la Fig.41, de telle façon à placer votre corps sur la gauche du plan de rotation de la chaîne. Ne croisez jamais les mains, ou n'adoptez aucune position qui placerait votre corps ou vos bras dans le plan de rotation de la chaîne. Ces directives s'appliquent également aux gauchers.



42

2. Gardez une bonne prise en main (B, Fig. 42) de la machine lorsque le moteur tourne. Les doigts doivent venir enserrer la poignée et le pouce s'enrouler sous la poignée. C'est dans cette position que le risque de lâcher prise est le plus minime (notamment par un effet de rebond ou par une brusque réaction de la tronçonneuse). Toute position de la main qui placerait les doigts et le pouce du même côté de la poignée (C) est dangereuse dans la mesure où un léger a-coup de la tronçonneuse peut entraîner une perte de contrôle.



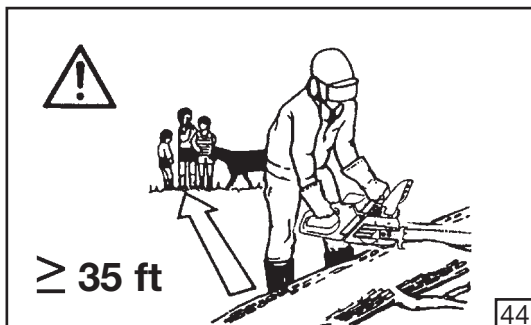
43



AVERTISSEMENT:

Position correcte de coupe (Fig. 43)

- Le poids doit être équitablement réparti sur les deux pieds reposant sur un sol stable.
- Votre bras doit être tendu et le coude bloqué (D) de façon à pouvoir compenser toute force de rebond.
- Le corps doit toujours se tenir à gauche du plan de rotation de la chaîne (E).
- Le pouce doit venir enserrer la poignée par en dessous (F).



Méthode de coupe de base

Exercez-vous sur quelques rondins de faible diamètre en utilisant la technique suivante afin de vous "familiariser" avec la prise en main de votre tronçonneuse avant de débuter des travaux de coupe plus conséquents.

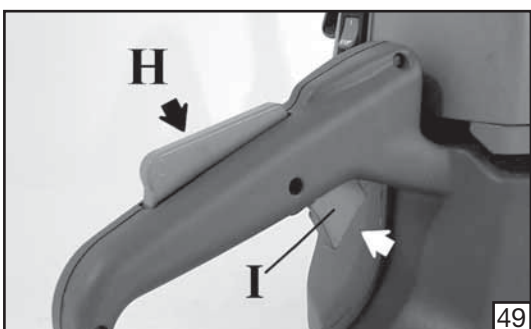
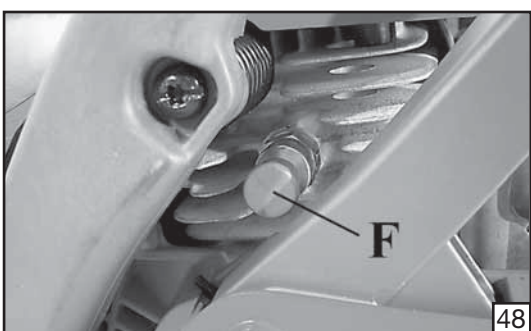
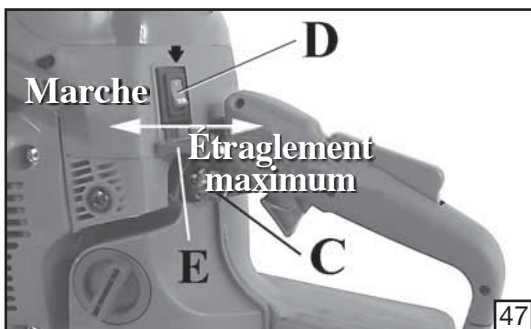
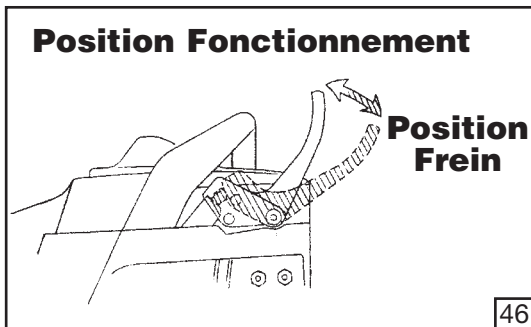
1. Adoptez la position appropriée face à la bille de bois avec la tronçonneuse tournant au ralenti.
2. Accélérez jusqu'au régime moteur maximal en appuyant sur la gâchette des gaz avant d'enfoncer la chaîne dans la bille de bois.
3. Commencez la coupe en plaquant la tronçonneuse contre la bille de bois.
4. Maintenez le régime moteur maximal pendant toute la durée de la coupe.
5. Laissez la chaîne agir; n'exercez qu'une faible pression vers le bas. Le fait de forcer la coupe peut endommager le guide, la chaîne ou le moteur.
6. Relâcher la gâchette des gaz dès que la coupe est terminée, et laissez tourner le moteur au ralenti. **Le guide, la chaîne ou le moteur peuvent subir une usure inutile voire des dégâts si vous faites tourner le moteur à plein régime sans aucune charge de coupe.**
7. N'appliquez aucune pression sur la tronçonneuse en fin de coupe.

Précautions relatives à la zone de travail



AVERTISSEMENT: Ne coupez que du bois ou des matériaux dérivés du bois. Ne coupez ni métaux, ni plastiques, ni pièces de maçonnerie ou tout autre matériau qui ne serait pas dérivé du bois.

- Ne laissez jamais un enfant utiliser la tronçonneuse. Toute autre personne susceptible d'utiliser la tronçonneuse doit avoir préalablement lu le présent Manuel de l'opérateur ou avoir pris connaissance des instructions appropriées à une utilisation correcte et en toute sécurité de cette tronçonneuse.
- Maintenez toute personne - assistant, entourage, enfants et animaux - à une distance de sécurité de la zone de coupe (Fig. 44). Pour les opérations d'abattage, la distance de sécurité doit être au moins deux fois supérieure à la hauteur des plus grands arbres situés dans la zone d'abattage. Pour les opérations de débitage, maintenez une distance d'au moins 10 m (35 pieds) entre les travailleurs.
- Gardez en permanence les deux pieds sur une assise stable de façon à éviter toute perte d'équilibre.
- Ne coupez pas en dessus dans la hauteur de poitrine, car il est toujours plus difficile de contrôler une tronçonneuse placée en hauteur en cas de rebond.
- N'abattez aucun arbre à proximité de lignes électriques ou de constructions. Laissez agir des professionnels dans de pareilles situations.
- Ne procédez à des travaux de coupe que si la visibilité et la luminosité vous permettent d'y voir clairement.
- **N'utilisez pas la tronçonneuse sur une échelle.** Laissez agir des professionnels dans de pareilles situations.
- Arrêtez la tronçonneuse si la chaîne heurte un corps étranger. Inspectez la tronçonneuse et effectuez les réparations si nécessaire.
- Éliminez la poussière et le sable déposés sur la tronçonneuse. Même une très faible quantité de crasse peut très rapidement émousser une chaîne et augmenter le risque de rebond.
- Coupez le moteur avant de reposer la tronçonneuse.
- Soyez particulièrement vigilant lorsque vous portez des protections anti-bruit car de tels équipements réduisent la



- capacité d'entendre les signaux sonores d'avertissement en cas de danger (tels que cris, alarmes et avertissements, etc.).
- Soyez extrêmement vigilant lorsque vous travaillez en pente ou sur des surfaces irrégulières.
- Durant l'utilisation de la tronçonneuse un extincteur devrait être disponible.

Démarrage du moteur

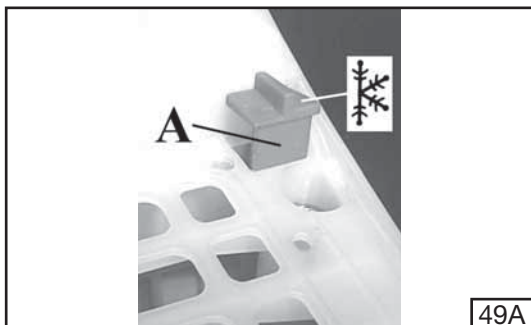
AVERTISSEMENT: Placez votre corps à gauche du plan de rotation de la chaîne. Ne vous tenez jamais les deux jambes écartées de part et d'autre de la tronçonneuse ou de la chaîne, ou ne vous penchez jamais au-delà du plan de rotation de la chaîne. Le frein de chaîne doit être appliqué au démarrage de la tronçonneuse.

- Posez la tronçonneuse sur un sol de niveau et vérifiez qu'aucun objet ou obstacle n'est en contact immédiat avec le guide ou la chaîne. Saisissez fermement la poignée avant de la main gauche et posez votre pied droit sur la base de la poignée arrière; voir Fig. 45.
- Enclenchez le frein de chaîne en poussant le levier de frein de chaîne/protecteur de main vers l'avant (en direction du guide-chaîne) en position de freinage, comme indiqué dans la Fig. 46. Voir les sections Sécurité-Frein de chaîne et Fonctionnement-Frein de chaîne pour de plus amples informations.
- Actionnez lentement la poire d'amorçage 6 à 8 fois (**C, Fig.47**).
- Basculez l'interrupteur de marche/arrêt (**D**) sur la position de démarrage "I".
- Tirez le levier d'étrangleur (Choke) (**E**) au maximum (Full Choke) pour étranglement maximal). L'accélérateur est automatiquement réglé sur les demi-gaz lorsque le levier d'étrangleur est tiré sur la position d'étranglement maximal.
- Appuyez sur la valve de décompression (**F, Fig. 48**). Tirez sur le lanceur jusqu'à entendre le premier allumage du moteur (pas plus de cinq (5) tractions sur le lanceur). **Il est possible qu'une machine neuve nécessite des tentatives de lancement supplémentaires.**

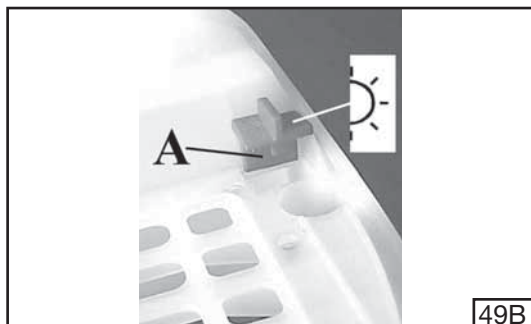
REMARQUE: la valve de décompression revient automatiquement en position dès le premier allumage.

- Repoussez complètement le levier d'étrangleur (**E**) en position de fonctionnement (Run), comme indiqué dans la Fig. 47.
- Appuyez sur la valve de décompression (**F**) et tirez sur le lanceur jusqu'au démarrage du moteur.
- Immédiatement après le démarrage du moteur, appuyez sur la gâchette de blocage des gaz (**H, Fig. 49**), appuyez rapidement sur la gâchette des gaz puis relâchez-la (**I**). Cette opération permet de débloquer la gâchette des gaz de la position de demi-gaz afin de ramener le régime moteur au ralenti. Placez le levier de frein de chaîne / protecteur de main dans la position de fonctionnement, comme indiqué dans la Fig. 46. Voir les sections Sécurité-Frein de chaîne et Fonctionnement-Frein de chaîne pour de plus amples informations.
- Lorsque vous tirez sur le lanceur, n'utilisez pas toute la longueur de la corde au risque de la briser. Ne laissez pas le lanceur claquer sans l'accompagner au retour. Maintenez la poignée et laissez la corde s'enrouler lentement.

AVERTISSEMENT: Ne procédez pas à la coupe alors que le levier d'étrangleur/ralenti accéléré est en position d'étranglement maximal (FULL CHOKE). N'utilisez pas votre tronçonneuse alors que le blocage d'accélérateur appliqué. Le fait de travailler avec le blocage d'accélérateur de démarrage engagé ne permet pas à l'utilisateur de contrôler correctement le régime de la tronçonneuse ou la vitesse de la chaîne.



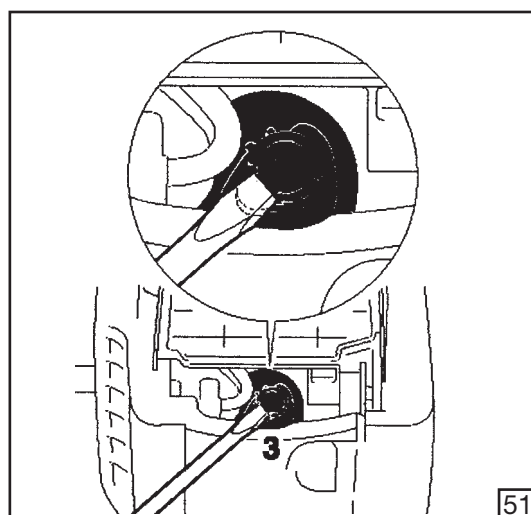
49A



49B



50



51

REMARQUE - DÉMARRAGE D'UN MOTEUR CHAUD:

Suivez les instructions pour le démarrage mais n'utilisez pas la position d'étranglement maximal pour redémarrer un moteur. Pour régler passer la machine au ralenti accéléré pour le démarrage d'un moteur chaud, tirez complètement le levier d'étrangleur et ramenez-le en position initiale de fonctionnement.



AVERTISSEMENT: Les conditions climatiques et l'altitude peuvent affecter la carburation. Tenez les tierces personnes à distance de la tronçonneuse lors du réglage du carburateur.



AVERTISSEMENT: Ne tentez jamais de démarrer votre tronçonneuse lorsque le guide-chaîne est engagé dans une entaille de coupe ou un trait d'abattage.



ATTENTION – Ne jamais mettre la tronçonneuse en marche si la barre, la chaîne et le carter d'embrayage (frein chaîne) ne sont pas montés – l'embrayage pourrait se détendre ce qui pourrait mettre l'opérateur en danger (risque de blessures).

Système antigivre

Avec une température inférieure à 0°C, placer le curseur (A, Fig.49A) sur la position hiver. Le symbole de la position hiver Fig.49A, doit être indiqué par la flèche gravée sur le curseur. De cette façon, l'air froid tout comme l'air chaud provenant du cylindre sont aspirés. Il n'y a donc pas de formation de glace à l'intérieur du carburateur.

Avec une température supérieure à +10°C, remettre le curseur (A, Fig.49B) en position été. Dans le cas contraire, le moteur pourrait présenter des dysfonctionnements dus à une surchauffe.

Rodage du moteur

Le moteur atteint sa puissance maximale après 5 à 8 heures de fonctionnement.

Au cours de cette période de rodage, ne laissez pas tourner la machine à vide à plein régime de façon à éviter toute contrainte inutile.



MISE EN GARDE ! – Au cours de la période de rodage, ne modifiez pas la carburation sous prétexte d'obtenir une augmentation de la puissance; vous risquez uniquement d'endommager le moteur.

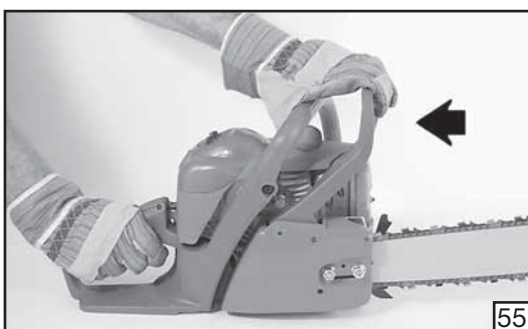
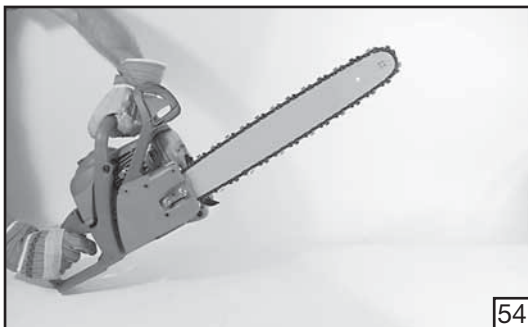
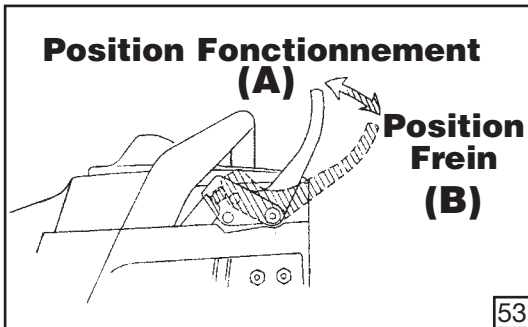
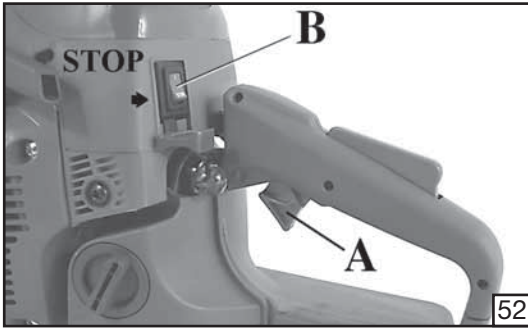
Démarrage difficile (ou démarrage d'un moteur noyé)

Vous pouvez noyer le moteur par une alimentation en carburant trop importante si le moteur ne démarre pas après avoir actionné 10 fois le lanceur. Il est possible d'éliminer l'excès de carburant d'un moteur noyé en suivant la procédure de démarrage d'un moteur chaud décrite ci-dessus. Vérifiez que l'interrupteur de marche/arrêt est en position de marche (ON). Le démarrage peut nécessiter un grand nombre d'actionnements du lanceur en fonction de l'importance du noyage du moteur. Si vous ne parvenez pas à démarrer le moteur, reportez-vous au TABLEAU DE DIAGNOSTIC DES PANNES (page 71).

Moteur noyé

Si vous n'avez pas passé le levier d'étrangleur en position de démarrage à chaud assez rapidement après le début d'allumage du moteur, la chambre de combustion est noyée.

- Basculez l'interrupteur de marche/arrêt sur la position STOP.
- Ouvrez le verrou rotatif (1, Fig. 50) dans le sens de la flèche.
- Déposez le couvercle de filtre (2).
- Insérez un outil adapté dans la coiffe de bougie (3, Fig. 51).
- Faites levier sur la coiffe de bougie et retirez-la.
- Dévissez et séchez la bougie.
- Ouvrez l'accélérateur à fond.
- Actionnez le lanceur à plusieurs reprises de façon à vider la chambre de combustion.
- Remontez la bougie et connectez la coiffe en l'enfonçant fermement – Remontez les autres pièces.
- Basculez l'interrupteur de marche/arrêt sur la position de démarrage.
- Passez le levier d'étrangleur sur la position de démarrage à chaud – même si le moteur est froid.
- Démarrez à présent le moteur.



Arrêt du moteur

Relâchez la gâchette des gaz (A) et laissez le moteur tourner au ralenti. Pour couper le moteur, basculez l'interrupteur de marche/arrêt (B) sur la position "STOP". Ne reposez pas la tronçonneuse tant que la chaîne est encore en mouvement. Par mesure de sécurité supplémentaire, engagez le frein de chaîne lorsque vous n'utilisez pas la tronçonneuse. Au cas où la position "STOP" de l'interrupteur ne fonctionnerait pas, coupez le moteur en tirant complètement le levier d'étrangleur (M) / Full Choke - étranglement maximal, voir Fig. 52).

MISE EN GARDE: La chaîne se rétracte en refroidissant. Si elle n'est pas détendue, elle peut endommager le vilebrequin et les roulements.

Contrôle avant utilisation

AVERTISSEMENT: LA CHAÎNE NE DOIT JAMAIS TOURNER LORSQUE LE MOTEUR EST AU RÉGIME DE RALENTI. Tournez la vis de réglage du ralenti "T" dans le sens inverse des aiguilles d'une montre pour réduire le régime de ralenti et arrêter la rotation de la chaîne, ou contactez un réparateur agréé pour procéder au réglage; n'utilisez pas la machine avant que la réparation n'ait été effectuée. Le fait que la chaîne tourne au régime de ralenti peut être à l'origine de graves blessures.

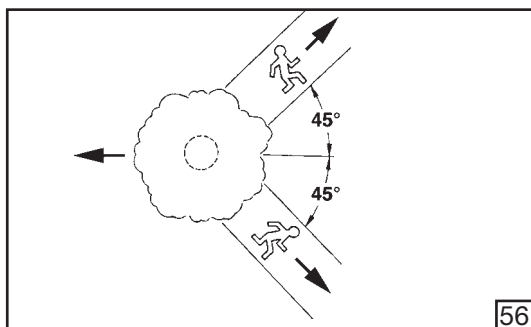
Fonctionnement du frein de chaîne

Voir la section Sécurité-Frein de chaîne avant utilisation. La Position de fonctionnement (A, Fig. 53) et la Position de freinage (B) du frein de chaîne sont illustrées ci-dessous. Il est recommandé de contrôler l'état du frein de chaîne avant chaque utilisation, comme suit:

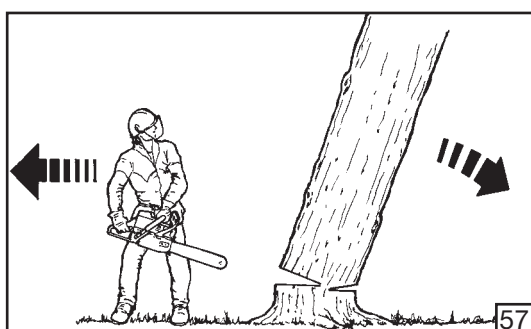
1. Démarrez le moteur et saisissez fermement les poignées avant et arrière à deux mains.
2. Actionnez la gâchette des gaz pour amener la tronçonneuse à plein régime. Avec la partie arrière de votre main gauche, engagez le frein de chaîne en poussant le levier de frein de chaîne / protecteur de main en direction du guide-chaîne alors que la chaîne tourne rapidement; voir Fig. 54.
3. Le frein de chaîne doit s'engager et arrêter la chaîne immédiatement; dans le cas contraire, portez votre contrôleur chez un réparateur agréé et ne l'utilisez pas tant que la réparation n'est pas effectuée.
4. Replacez le frein de chaîne en position de fonctionnement en saisissant levier de frein de chaîne / protecteur de main côté guide-chaîne (côté droit par rapport à la position de l'opérateur) et en le ramenant vers la poignée avant jusqu'à ce qu'un déclic soit émis. Voir Fig. 55.

AVERTISSEMENT: Si le frein de chaîne n'arrête pas la chaîne immédiatement, portez la tronçonneuse chez un réparateur agréé avant de l'utiliser.

AVERTISSEMENT: Un frein de chaîne mal entretenu peut augmenter la durée nécessaire pour arrêter la chaîne après engagement, ou peut ne pas s'engager.



56



57

Abattage

Conditions d'abattage dangereuses particulières



AVERTISSEMENT: Ne procédez pas à l'abattage par grand vent ou par fortes précipitations.



AVERTISSEMENT: N'effectuez jamais à un travail de coupe par faible visibilité ou par températures extrêmement élevées ou basses, ou par grandes gelées.



AVERTISSEMENT: Ne coupez pas les arbres dont le tronc est extrêmement penché ou creux, ou dont les branches sont pourries ou l'écorce se détache. Il n'est pas possible d'obtenir un égobelage et un trait d'abattage corrects sur les arbres dont les troncs sont extrêmement penchés ou creux. Faites plutôt abattre ces arbres par arrachage en utilisant les équipements lourds appropriés.



AVERTISSEMENT: N'abattez pas d'arbres à proximité de lignes électriques ou de constructions. Avisez immédiatement le fournisseur d'électricité en cas de contact entre un arbre et la ligne de service public.



AVERTISSEMENT: Vérifiez la présence éventuelle de branches mortes ou endommagées susceptibles de chuter et de vous heurter au cours de l'abattage.



AVERTISSEMENT: Observez fréquemment la cime de l'arbre lorsque vous effectuez le trait d'abattage afin de vous assurer que l'arbre va chuter dans la direction souhaitée.



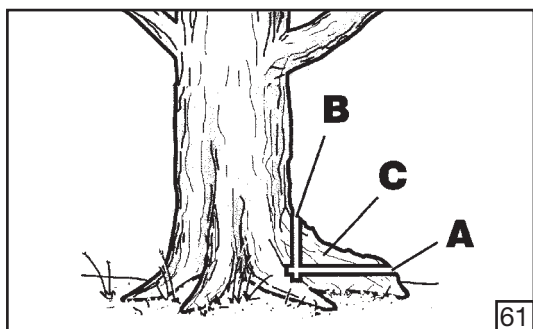
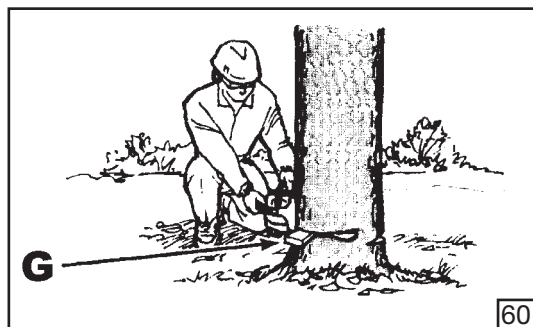
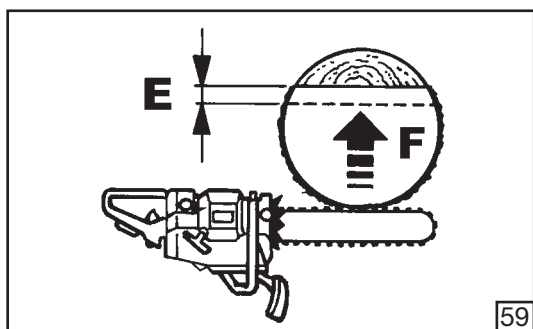
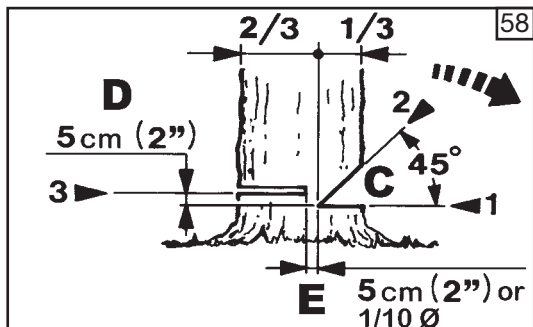
AVERTISSEMENT: Si l'arbre se met à chuter dans la mauvaise direction, ou si la tronçonneuse reste coincée ou prise lors de la chute, **ABANDONNEZ LA TRONÇONNEUSE ET FUYEZ !**

- Élaborez toujours votre plan de découpe à l'avance.
- Dégagez la zone de travail. Une zone dégagée est nécessaire tout autour de l'arbre de façon à ce que vous ayez une bonne assise.
- L'opérateur doit se tenir en amont de l'arbre étant donné que celui-ci est susceptible de dévaler la pente en roulant ou en glissant après abattage.
- Étudiez attentivement les éléments naturels environnementaux qui pourrait entraîner la chute de l'arbre dans une direction particulière.

Recherchez toute trace de pourriture. Si le tronc est pourri, il peut casser net et chuter en direction de l'opérateur.

Assurez-vous de disposer de l'espace nécessaire pour la chute de l'arbre. Tenez toute autre personne ou objet à une distance de deux fois et demi la hauteur de l'arbre. Le bruit du moteur peut couvrir un cri d'alerte. Retirez les obstacles, pierres, écorce décrochée, clous, agrafes et fils métalliques de l'arbre à l'endroit de la coupe.

1. Choisissez votre voie de retraite (ou vos voies de retraite si l'une d'entre elle est bloquée). Dégagez la zone à proximité immédiate de l'arbre et vérifiez qu'il n'y a aucun obstacle entravant votre voie de retraite. Dégagez une voie de retraite sûre (Fig. 56) à 45° par rapport à la ligne de chute prévue (Fig. 57).

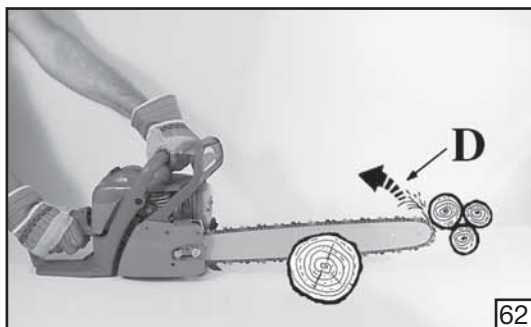


2. Prenez en compte la force et le sens du vent, l'angle d'inclinaison et le point d'équilibre de l'arbre, ainsi que l'emplacement des grosses branches. Ces éléments agissent sur le sens dans lequel l'arbre va tomber. Ne tentez pas d'abattre un arbre sur une ligne différente de sa ligne de chute naturelle.
3. Effectuez une entaille d'abattage (C, Fig. 58) d'une profondeur d'un tiers du diamètre du tronc sur le flanc de l'arbre. Les découpes pour former cette entaille doivent être effectuées à angle droit avec la ligne de chute de l'arbre. Cette entaille doit être nettoyée de façon à laisser une ligne droite. Afin d'éviter que le poids du bois vienne coincer la tronçonneuse, effectuez toujours la coupe inférieure de l'entaille avant la coupe supérieure.
4. Le trait d'abattage s'effectue toujours de niveau et à l'horizontale, à 5 cm (2 pouces) minimum au-dessus de l'entaille d'abattage (D).
5. Ne coupez jamais jusqu'à l'entaille d'abattage. Laissez toujours une bande de bois entre l'entaille et le trait d'abattage, de 5 cm (2 pouces) environ ou d'une épaisseur correspondant à 1/10 du diamètre de l'arbre. Cette épaisseur est appelée "charnière" (E) ou "pivot". Elle contrôle la chute de l'arbre et empêche le glissement, la torsion ou l'échappement de l'arbre au niveau de la souche.
6. Sur les arbres de gros diamètre, interrompez le trait d'abattage (F, Fig. 59) avant qu'elle ne soit assez profonde pour permettre à l'arbre de chuter ou de s'appuyer sur la souche. Insérez ensuite des coins en bois ou en plastique (G, Fig. 60) dans la coupe de sorte qu'ils ne touchent pas la chaîne. Il est possible d'insérer les coins petit à petit pour aider l'arbre à basculer.
7. Lorsque l'arbre commence à chuter, coupez le moteur et posez la tronçonneuse immédiatement. Éloignez-vous par la voie dégagée, tout en observant la scène pour voir si quelque chose chute sur votre chemin.

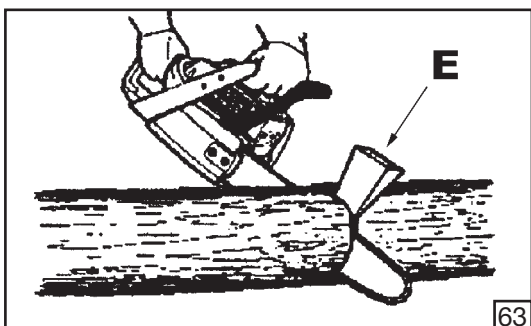
AVERTISSEMENT: Ne prolongez jamais l'entaille jusqu'au trait d'abattage. La charnière contrôle la chute de l'arbre; il s'agit de la section laissée entre l'entaille et le trait d'abattage.

NE DÉBITEZ PAS un arbre ayant chuté partiellement. Soyez extrêmement vigilant avec les arbres ayant chuté partiellement qui sont peut-être en équilibre précaire. Si un arbre ne chute pas entièrement, posez la tronçonneuse à distance et ramenez l'arbre au sol à l'aide d'un treuil à câble, d'un palan à moufles ou d'un tracteur.

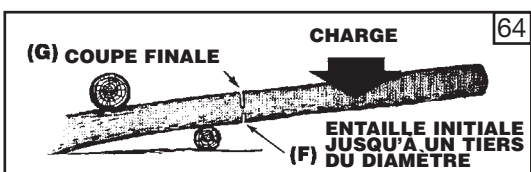
Contreforts
Un contrefort désigne une large racine émergeant au-dessus du niveau du sol. Il est nécessaire d'éliminer les plus gros contreforts avant l'abattage. Effectuez une coupe horizontale (A, Fig.61) dans le contrefort, puis une coupe verticale (B). Retirez la section ainsi débitée (C) de la zone de travail. Suivez ensuite les directives de la section Fonctionnement-Abattage du présent manuel après retrait des gros contreforts.



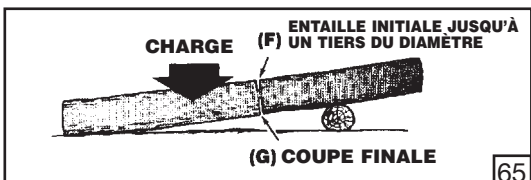
62



63



64



65

Débitage

Le débitage consiste à couper un arbre abattu en rondins de longueur désirée.

- Ne coupez qu'un seul rondin à la fois.



AVERTISSEMENT: Supportez les petits rondins sur un chevalet de sciage ou sur un autre rondin lors du débitage. Ne laissez personne tenir le rondin pendant la coupe et ne maintenez jamais le rondin à l'aide de votre jambe ou de votre pied.



AVERTISSEMENT: Tenez la zone de coupe dégagée. Vérifiez qu'aucun objet ne peut venir au contact du nez de guide et de la chaîne lors de l'opération de débitage, au risque d'amplifier le phénomène de rebond (D, Fig. 62).



AVERTISSEMENT: Au cours des opérations de débitage, tenez-vous toujours en amont de façon à ce que la section découpée du rondin ne puisse pas rouler en votre direction.



AVERTISSEMENT: Si la tronçonneuse se coince dans un rondin, ne tentez pas de la retirer de force. Ceci peut entraîner une perte de contrôle voire des blessures et/ou des dégâts au niveau de la machine. Arrêtez la tronçonneuse, insérez un coin en bois ou en plastique dans l'entaille de coupe jusqu'à ce que vous puissiez retirer la tronçonneuse sans forcer (E, Fig.63). Redémarrez la tronçonneuse et réinsérez-la dans l'entaille avec précaution. Ne tentez pas de redémarrer votre tronçonneuse lorsque celle-ci est coincée ou prise dans un rondin.



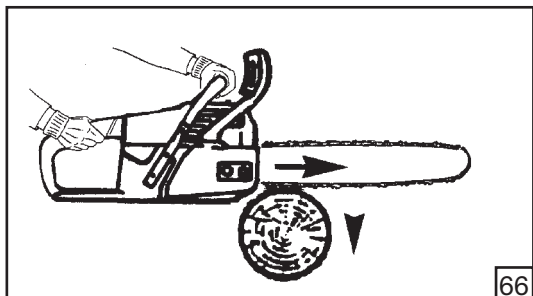
AVERTISSEMENT : Ne vous tenez pas sur le rondin en cours de découpe. Celui-ci peut riper et entraîner une perte d'assise et de contrôle. Ne coupez pas une zone où rondins, branches et racines sont enchevêtrés. Déplacez les rondins dans une zone dégagée avant de les débiter en commençant par les pièces apparentes et dégagées.

Débitage avec un coin d'abattage

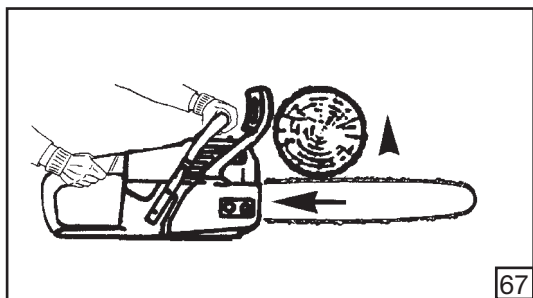
Si le diamètre de la bille de bois permet d'insérer un coin de débitage (E, Fig. 63) sans que celui-ci touche la chaîne, il est alors recommandé de l'utiliser afin de tenir l'entaille de coupe ouverte et éviter le pincement.

Rondins soumis à contraintes (Fig. 64-65)

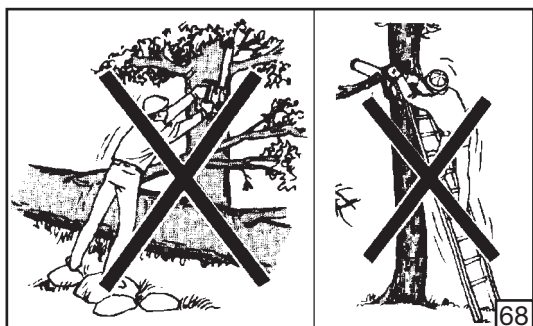
Effectuez la première entaille de débitage (F) sur le premier tiers du rondin et finissez les deux tiers restants (G) par le côté opposé. Le rondin a tendance à se plier lors de la coupe. La tronçonneuse peut ainsi se coincer ou se prendre dans le rondin si la première entaille de débitage excède le tiers du diamètre du rondin. Soyez particulièrement vigilant pour les rondins soumis à contrainte afin d'éviter de coincer le guide et la chaîne.



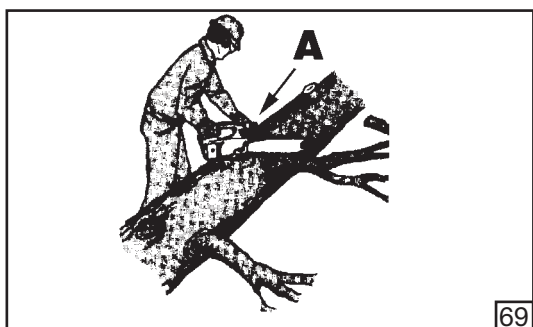
66



67



68



69

Méthodes de coupes utilisées

Débitage par le haut (Fig. 66)

Commencez par la face supérieure du rondin en plaçant la face inférieure de la tronçonneuse contre le rondin ; exercez une légère pression vers le bas.

Débitage par le bas (Fig. 67)

Commencez par la face inférieure du rondin en plaçant la face supérieure de la tronçonneuse contre le rondin ; exercez une légère pression vers le haut. La tronçonneuse a tendance à revenir dans votre direction lorsque vous effectuez une coupe par le bas. Soyez préparé à cette réaction et maintenez la tronçonneuse fermement afin de garder le contrôle.



AVERTISSEMENT: Ne retournez jamais la tronçonneuse pour le débitage par le bas. Il n'est pas possible de contrôler la tronçonneuse dans une telle position. Effectuez toujours la première entaille de débitage sur le côté du rondin en compression. Le côté du rondin en compression correspond à la zone où se concentre la pression du poids du rondin.

Ébranchage et élagage

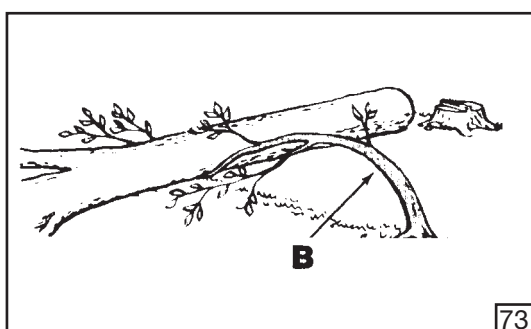
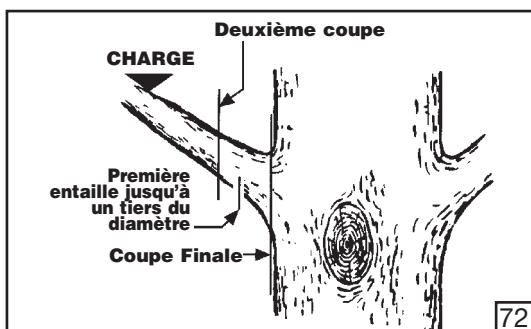
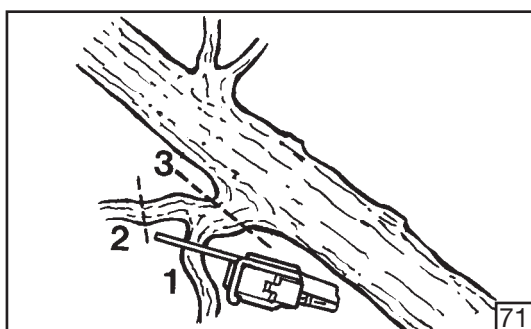
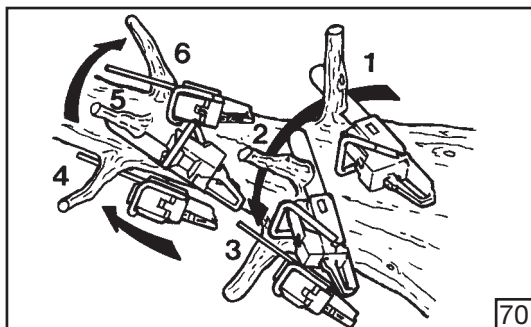


AVERTISSEMENT: Soyez vigilant et méfiez-vous de l'effet de rebond. Évitez que la chaîne en mouvement ne touche d'autres branches ou objets au niveau de la pointe du guide-chaîne lors des opérations d'ébranchage ou d'élagage. Tout contact peut entraîner de graves blessures.

- Travaillez sans précipitation, en maintenant fermement et correctement vos deux mains sur la tronçonneuse. Gardez une bonne assise et un bon équilibre (Fig. 68).
- Pour l'ébranchage, le tronc doit se trouver entre vous et la chaîne (A, Fig. 69). Procédez à la coupe depuis le côté de l'arbre opposé à la branche que vous tronçonnez.
- N'utilisez pas la tronçonneuse sur une échelle ; cela est extrêmement dangereux (Fig. 68). Laissez agir des professionnels dans de pareilles situations.
- Ne coupez pas au-dessus dans la hauteur de poitrine, car il est toujours plus difficile de contrôler une tronçonneuse placée en hauteur en cas de rebond.
- Méfiez-vous de l'effet de retour élastique. Prenez garde aux branches pliées ou sous pression. Évitez d'être heurté par la branche ou la tronçonneuse au moment où la tension des fibres du bois est relâchée.
- Maintenez la zone de travail dégagée. Évacuez fréquemment les branches afin d'éviter de trébucher contre elles.



AVERTISSEMENT : Ne grimpez jamais sur un arbre pour effectuer l'ébranchage ou l'élagage. Ne vous tenez pas sur une échelle, une plate-forme ou un rondin, ou dans toute position susceptible de vous faire perdre l'équilibre et le contrôle de la tronçonneuse.



Opération d'ébranchage (Fig. 70-71)

- Procédez toujours à l'ébranchage après que l'arbre a été abattu. C'est à cette condition que l'ébranchage peut être effectué correctement et en toute sécurité.
- Laissez les plus grosses branches sous l'arbre abattu de telle sorte qu'elles supportent l'arbre pendant votre travail.
- Commencez de la base vers la cime de l'arbre abattu, en coupant les rameaux et les branches maîtresses. Coupez les petits rameaux en une seule passe.
- Gardez le tronc entre vous et la chaîne. Procédez à la coupe depuis le côté de l'arbre opposé à la branche que vous tronçonnez.
- Supprimez les branches de support les plus grosses en employant la technique de coupe décrite dans la section DÉBITAGE SANS SUPPORT.
- Coupez toujours les rameaux et les petites branches en suspens par le dessus. Une coupe par en dessous peut faire chuter les branches et coincer la tronçonneuse.

Opération d'élagage (Fig.72)

- Pour l'élagage, il est important de ne pas effectuer la coupe à ras à proximité de la branche maîtresse ou du tronc avant d'avoir coupé une partie de la branche de façon à réduire le poids. Cela permet d'éviter d'arracher l'écorce au niveau du membre principal.
- Coupez tout d'abord le premier tiers de la branche par le bas, puis le restant de la branche par le haut de façon à faire tomber la branche.
- Vous pouvez à présent passer à la finition en procédant à la coupe à ras du membre principal soigneusement et proprement, de telle sorte que l'écorce recouvrira la cicatrice.



AVERTISSEMENT: Si le branche à élaguer se trouvent au-dessus de la hauteur de poitrine, faites intervenir un professionnel pour l'opération.

"Fouets"

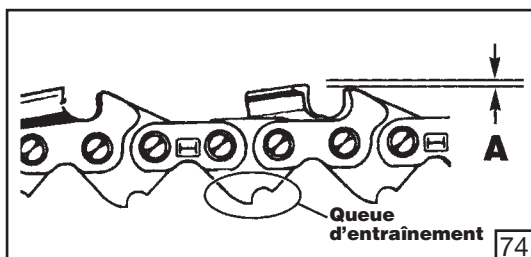
Un "fouet" (ou perche) (**B, Fig.73**) désigne un rondin, une branche, une souche racinée ou un jeune arbre pliée sous la tension d'une autre bille de bois, de telle façon que le membre en tension a un effet de retour élastique si on coupe ou retire la bille le maintenant. Sur un arbre abattu, une souche racinée a un gros potentiel de retour élastique en position verticale lors du débitage permettant de séparer le rondin de la souche. Méfiez-vous des "fouets". Ils sont potentiellement dangereux.



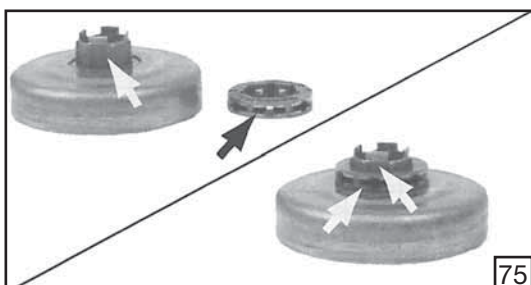
AVERTISSEMENT: Les "fouets" sont dangereux et peuvent venir heurter l'opérateur, entraînant une perte de contrôle de la tronçonneuse. De graves blessures, voire la mort, peuvent en découler.

Tableau d'entretien

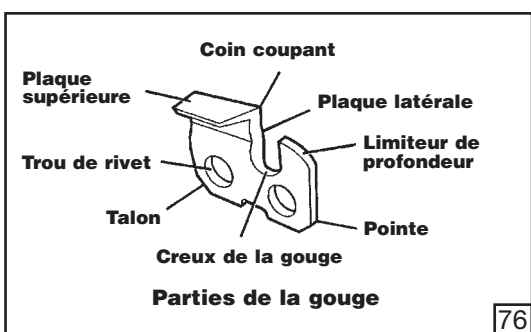
Veuillez noter que les intervalles d'entretien suivant s'appliquent exclusivement à une utilisation en conditions normales. Rapprochez ces intervalles en conséquence si votre travail quotidien implique un fonctionnement plus long dans des conditions de coupe sévères.		Avant chaque utilisation	Après chaque arrêt pour ravitaillement	Quotidiennement après le travail	Une fois par semaine	Une fois par mois	Si endommagée ou défectueuse	Selon besoins
Intégralité de la tronçonneuse	Inspection (fuites, craquelures et niveau d'usure)	X	X					
	Nettoyage			X				
Commandes (Interrupteur d'allumage, levier d'étrangleur, gâchette des gaz, gâchette de blocage des gaz)	Contrôle du fonctionnement	X	X					
Frein de chaîne	Contrôle du fonctionnement	X	X					
	Nettoyage et graissage				X			
	Contrôle par le distributeur						X	X
Réservoir de carburant	Inspection (fuites, craquelures et niveau d'usure)	X	X					
	Nettoyage					X		
Réservoir d'huile	Inspection (fuites, craquelures et niveau d'usure)	X	X					
	Nettoyage					X		
Filtre à carburant	Inspection				X			
	Nettoyage, remplacement de la cartouche filtrante						X	Tous les 6 mois
Lubrification de la chaîne	Contrôle de la sortie	X	X					
Chaîne	Inspection (dégâts, affûtage et niveau d'usure)	X	X					
	Contrôle de la tension	X	X					
	Affûtage (Contrôle de l'indicateur de profondeur)						X	X
Guide-chaîne	Inspection (dégâts et niveau d'usure)	X	X					
	Nettoyage de la rainure du guide et des passages d'huile	X						
	Rotation				X			
	Graissage du pignon de renvoi				X			
	Ébavurage				X			
	Remplacement						X	X
Pignon à flasques	Inspection (dégâts et niveau d'usure)				X			Remplacer par la nouvelle chaîne
Tambour d'embrayage	Inspection (dégâts et niveau d'usure)				X			
	Remplacement						X	
Attrape-chaîne	Inspection (dégâts et niveau d'usure)	X	X				X	X
	Remplacement						X	X
Pare-étincelles (au niveau du silencieux)	Inspection (dégâts et niveau d'usure)				X			
	Nettoyage ou remplacement						X	X
Toute la visserie accessible (sauf vis de réglage)	Inspection	X						
	Resserrage				X			
Filtre à air	Nettoyage	X						X
	Remplacement						X	Tous les 6 mois
Ailettes de cylindre	Nettoyage					X		
Prises d'air du système de démarrage	Nettoyage			X				
Corde de lanceur	Inspection (dégâts et niveau d'usure)				X			
	Remplacement						X	
Carburateur	Contrôle du ralenti (la chaîne ne doit pas tourner au régime de ralenti)	X	X					
Bougie	Contrôle de l'écartement entre les électrodes					X		
	Remplacement						X	Tous les 6 mois
Amortisseurs de vibrations	Inspection (dégâts et niveau d'usure)				X			
	Remplacement par le distributeur						X	X



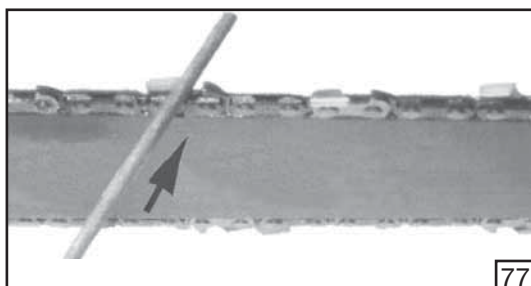
74



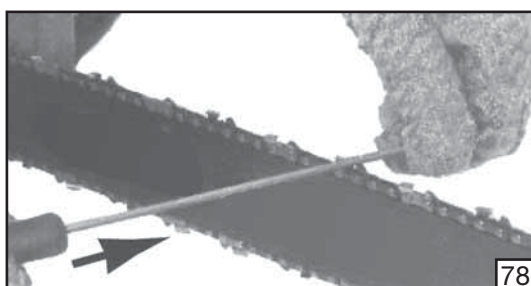
75



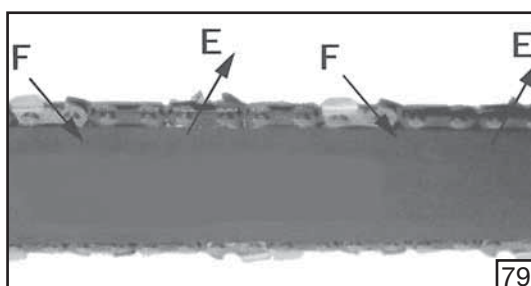
76



77



78



79

Entretien de la chaîne

Utilisez exclusivement une chaîne à double limiteur d'épaisseur et à rebond réduit sur cette tronçonneuse. Cette chaîne à coupe rapide se caractérise par une réduction de l'effet rebond lorsqu'elle est entretenue correctement.

Pour obtenir une coupe rapide et en souplesse, il est nécessaire d'entretenir correctement la chaîne à limiteur d'épaisseur. Cette chaîne nécessite un affûtage lorsque les copeaux de bois sont petits ou pulvérulents, lorsqu'il est nécessaire d'exercer une force sur la bille de bois pour enfoncer la chaîne, ou lorsque la chaîne coupe sur le côté. Prenez en compte les éléments suivants pour l'entretien de votre chaîne:

1. Un angle d'attaque frontale incorrecte de la plaque latérale peut accroître le risque d'un important effet de rebond.
2. Épaisseur du copeau (limiteur de profondeur) (A, Fig. 74): Trop importante, augmente le risque de rebond ; insuffisante, réduit la capacité de coupe.
3. Si les gouges ont heurté des objets durs tels que des clous ou des pierres, ou si elles ont été éliminées par de la boue ou du sable présent dans le bois, faites affûter la chaîne par un service d'entretien agréé.
4. Dans de rares circonstances, les tenons d'entraînement peuvent s'évaser, empêchant la chaîne de tourner librement. Remplacez la chaîne si nécessaire.

REMARQUE: Inspectez l'état et le niveau d'usure du pignon à flasques lors du remplacement de la chaîne. En cas de signes d'usure ou d'endommagements au niveau des zones indiquées dans la Fig.75, faites remplacer le pignon à flasques par un réparateur agréé.

Affûtage des gouges (Fig.76)

Veillez à affûter toutes les gouges aux angles spécifiés et à la même longueur, car la caractéristique de coupe rapide ne peut être assurée que si toutes les gouges sont uniformes.

1. Portez des gants de protection. Tendez suffisamment la chaîne de sorte qu'elle n'oscille pas. Procédez à l'affûtage au niveau du centre du guide-chaîne. Voir la section Fonctionnement-Tension de la chaîne.
2. Utilisez une lime ronde de diamètre 3/16" et un porte-lime.
3. Tenez la lime de niveau avec la plaque supérieure de la dent, comme indiqué dans la Fig. 77. Ne laissez pas la lime plonger ou osciller.
4. En exerçant une pression légère mais ferme, limez en direction du coin avant de la dent, comme indiqué dans la Fig. 78. Soulevez la lime de la gouge à chaque retour de lime.
5. Mettez quelques fermes coups de limes sur toute la dent. Limez toutes les gouges dont le tranchant est situé côté gauche (E, Fig. 79) dans un seul sens. Passez ensuite aux gouges dont le tranchant se situe côté droit et limez (F) dans le sens opposé. Éliminez de temps en temps les copeaux de la lime à l'aide d'une brosse métallique.

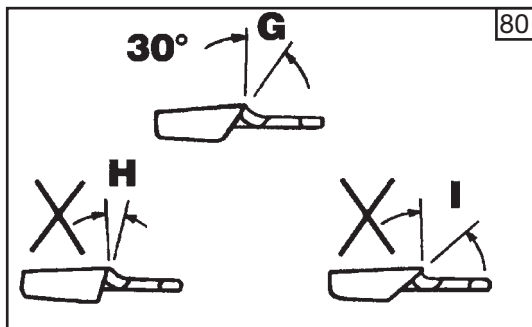


MISE EN GARDE: Une chaîne émoussée ou mal affûtée peut entraîner un régime excessif du moteur lors de la coupe, et sévèrement endommager le moteur.



AVERTISSEMENT: Le respect des angles et des dimensions spécifiés ci-dessous et absolument essentiel. Si la chaîne est mal affûtée, et tout particulièrement si le limiteur d'épaisseur est trop profond, le risque de rebond est accru, ainsi que le risque de blessures.

Le fait de ne pas remplacer ou réparer une chaîne endommagée peut être à l'origine de graves blessures. La chaîne est extrêmement affûtée; portez en permanence des gants de protection lorsque vous effectuez l'entretien de la chaîne.



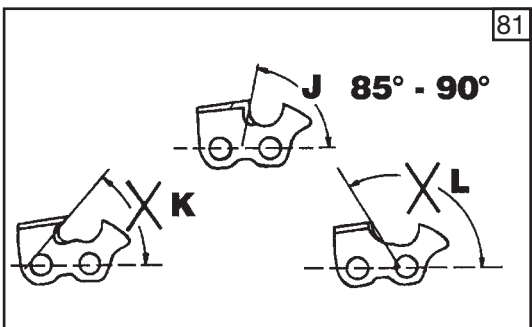
Angle des plaques supérieures

Les porte-lime sont équipés de repères permettant d'aligner correctement la lime afin d'obtenir l'ANGLE DE PLAQUE SUPÉRIEURE correct (Fig. 80).

G) CORRECT- 30°

H) INFÉRIEUR À 30° - Pour débitage.

I) SUPÉRIEUR À 30°- Bord aminci, émoussage rapide.



Angle des plaques latérales (Fig.81)

J) CORRECT- 85° - 90°

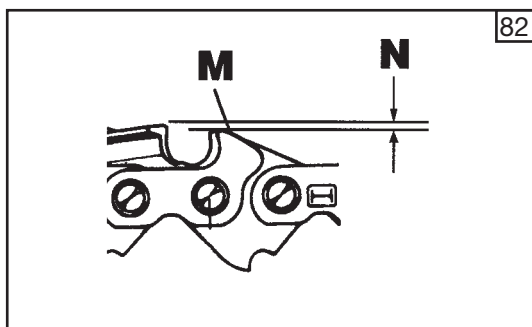
Obtenu automatiquement lors de l'utilisation d'une lime de diamètre correct dans un porte-lime.

K) "CROCHET"- "Broutage" et émoussage rapide. Augmente le risque de **REBOND**.

Provient de l'utilisation d'une lime de diamètre insuffisant, ou d'une lime tenue trop bas.

L) DÉCLIVITÉ VERS L'ARRIÈRE- Nécessite un effort d'avancement trop important et entraîne une usure excessive du guide et de la chaîne.

Provient de l'utilisation d'une lime de diamètre trop important, ou d'une lime tenue trop haut.



Réglage du limiteur d'épaisseur

1. La hauteur (N, Fig.82) du limiteur d'épaisseur (M) doit être comprise entre 0,5 mm (0,020 po.) et 0,6 mm (0,024 po.).

Utilisez une cale d'épaisseur pour contrôler la hauteur des limiteurs d'épaisseur.

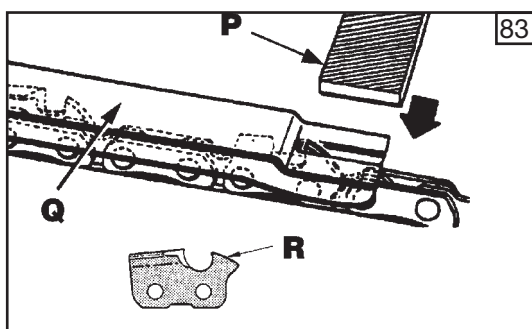
2. Contrôlez la hauteur des limiteurs d'épaisseur à chaque affûtage de la chaîne.

Utilisez une lime plate et une dégauchisseuse pour limiteur d'épaisseur pour rabaissier uniformément tous les limiteurs (Fig.83).

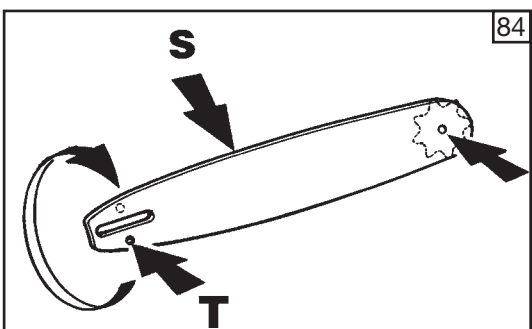
P) LIME PLATE

Q) DÉGAUCHISSEUSE POUR LIMITEURS D'ÉPAISSEUR

Les dégauchisseuses pour limiteurs d'épaisseur sont disponibles en dimensions 0,5 mm à 0,9 mm (0,020 à 0,035 pouce). Après avoir rabaissier la hauteur de chacun des limiteurs d'épaisseur, restituez la forme initiale en arrondissant l'avant (R). Veillez à ne pas endommager les maillons-guides adjacents avec le bord de la lime.



⚠ MISE EN GARDE: Après affûtage, nettoyez soigneusement la chaîne, éliminez les copeaux de limage ou la poussière de rectification. Lubrifiez soigneusement la chaîne.



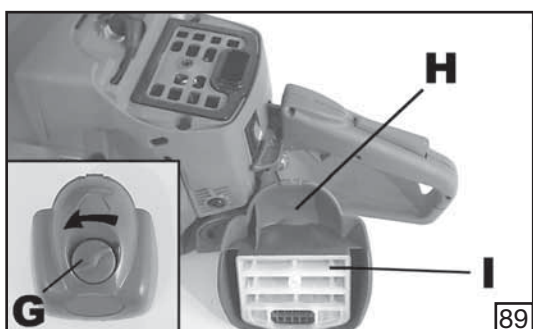
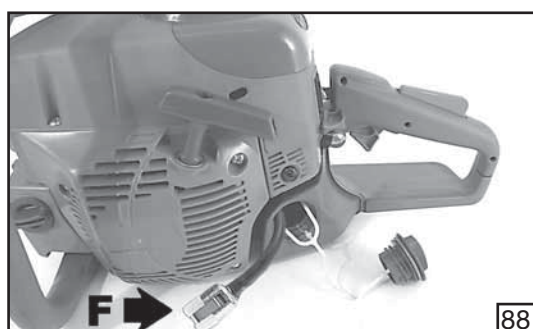
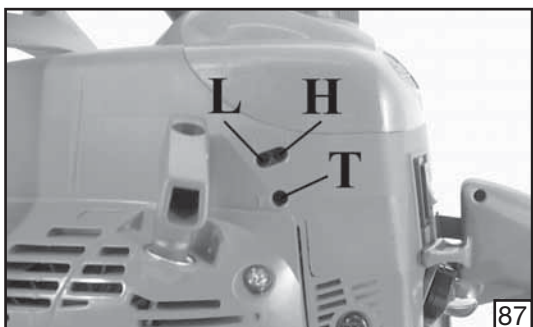
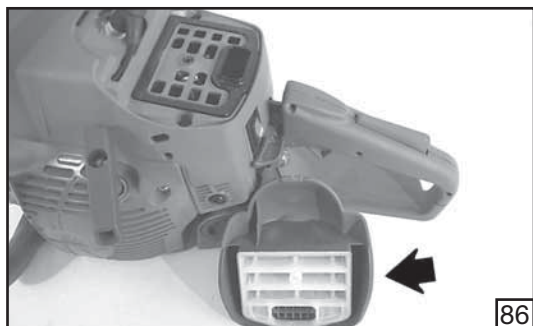
Entretien du guide-chaîne

Après chaque journée d'utilisation, retournez le guide-chaîne sur la tronçonneuse de façon à répartir équitablement l'usure et rallonger la durée de vie du guide-chaîne (voir Fig.84). Nettoyez le guide-chaîne quotidiennement en fin de journée de travail et contrôlez son état et son niveau d'usure.

L'amincissement ou l'écrasement au niveau des rails du guide est un processus normal d'usure du guide-chaîne. De tels défauts doivent être rectifiés à la lime ou à la pierre dès qu'ils apparaissent.

Remplacez le guide-chaîne s'il présente les défauts suivants:

- Usure à l'intérieur des rails du guide-chaîne laissant passer la chaîne de chaque côté.
- Guide-chaîne tordu.



- Rails fendillés ou cassés.
- Rails étirés.

En outre, les guide-chaîne équipés d'un pignon en leur pointe doivent être lubrifiés périodiquement à l'aide d'une seringue à huile afin de rallonger leur durée de vie.

Retournez le guide-chaîne et vérifiez que les orifices de lubrification (T) et la gorge de chaîne (S) sont exempts d'impuretés.

Réglage du carburateur

Avant de procéder au réglage du carburateur, nettoyez les ouïes d'aération du couvercle de démarreur comme indiqué dans la Fig. 85, ainsi que le filtre à air comme indiqué dans la Fig. 86. Reportez-vous aux sections Fonctionnement-Démarrage de la machine et Entretien-Filtre à air pour de plus amples détails. Laissez chauffer le moteur avant de procéder au réglage du carburateur.

Ce moteur est conçu et fabriqué conformément aux réglementations de Phase 2 de l'EPA (Agence de protection de l'environnement). Le carburateur est réglé en usine et ne nécessite normalement aucun réglage. Ce modèle de carburateur ne permet que le réglage des aiguilles "L" (gicleur bas) et "H" (gicleur haut). Tout réglage doit être effectué par un service d'entretien agréé.

Ne forcez en aucun cas les aiguilles "L" (gicleur bas) et "H" (gicleur haut) hors de leur plage de réglage.



AVERTISSEMENT: Un réglage incorrect des aiguilles "L" et "H" peut entraîner de graves dégâts au niveau du moteur. Ne forcez pas les aiguilles "L" et "H" hors de leur plage de réglage sous peine de rendre le moteur non conforme à la réglementation relative aux émissions polluantes.

Réglage du ralenti

- Si le moteur démarre, tourne et accélère mais ne tient pas le ralenti, tournez la vis de réglage du ralenti "T" dans le sens des aiguilles d'une montre pour augmenter le ralenti (Fig. 87).
- Si la chaîne tourne au régime de ralenti, tournez la vis de réglage du ralenti "T" dans le sens inverse des aiguilles d'une montre pour réduire le régime de ralenti et stopper la rotation de la chaîne. Si la chaîne continue à tourner au régime de ralenti, contactez un service d'entretien agréé pour procéder au réglage et n'utilisez pas la machine tant que la réparation n'a pas été effectuée.

Filtre à carburant

Contrôlez le filtre à carburant (F, Fig. 88) périodiquement. Remplacez-le s'il est contaminé ou endommagé.

Filtre à air



AVERTISSEMENT: Ne nettoyez pas le filtre à air à l'essence ou avec tout autre produit inflammable afin d'éviter tout risque d'incendie ou de générer des vapeurs nocives

Desserrez complètement le bouton du couvercle de filtre à air (G, Fig. 89) en le tournant dans le sens inverse des aiguilles d'une montre, déposez le couvercle du filtre à air (H) et contrôlez le

filtre à air (I) quotidiennement ; secouez le filtre et nettoyez-le à l'aide d'une brosse souple. S'il est fortement contaminé, nettoyez-le à l'eau savonneuse, rincez-le et séchez-le soigneusement avant de le remonter. Remontez le filtre à air dans le couvercle. Posez le couvercle de filtre à air sur la tronçonneuse. Resserrez fermement le bouton du couvercle de filtre à air.

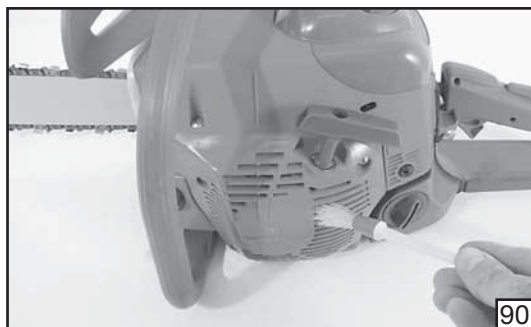
Un filtre à air usagé ne peut jamais être complètement nettoyé. Il est recommandé de remplacer le filtre à air après six mois d'utilisation.



MISE EN GARDE: Ne faites jamais tourner le moteur sans le filtre à air au risque de l'endommager.

Vérifiez que le filtre à air est correctement logé dans le couvercle de filtre à air avant procéder au remontage de l'ensemble.

Remplacez toujours un filtre à air endommagé. Ne nettoyez pas le filtre à l'aide d'une brosse.



90

Démarrreur

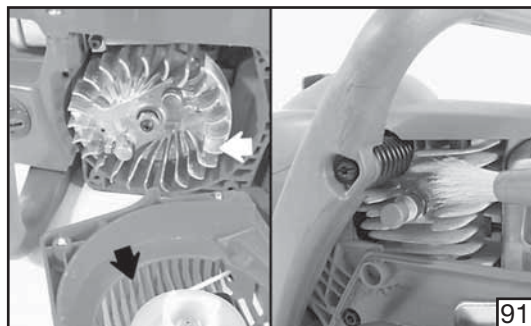
Éliminez les débris accumulés au niveau des ouïes d'aération du démarreur à l'aide d'une brosse (Fig. 90).



AVERTISSEMENT: Le ressort à enroulement est sous tension et peut "sauter" à tout moment, entraînant de graves blessures. Ne tentez jamais de le démonter ou de le modifier.

Moteur

Nettoyez périodiquement les ailettes du moteur et du volant-moteur à l'air comprimé ou à l'aide d'une brosse (Fig. 91). Les impuretés incrustées sur le cylindre peuvent entraîner une surchauffe dangereuse du moteur.



91

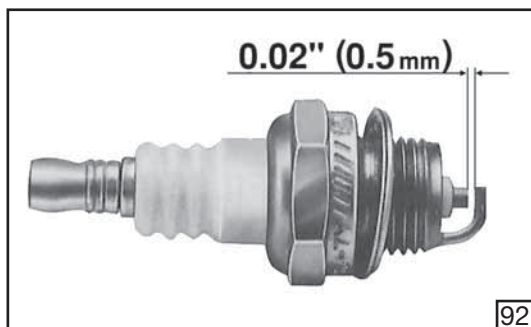


AVERTISSEMENT: Ne faites jamais fonctionner la tronçonneuse si toutes les pièces ne sont pas correctement montées, notamment le couvercle du carter d'entraînement et le carter du démarreur.

Dans la mesure où les pièces peuvent se casser et voler en éclat, faites réparer le volant-moteur et l'embrayage à un réparateur agréé.

Bougie

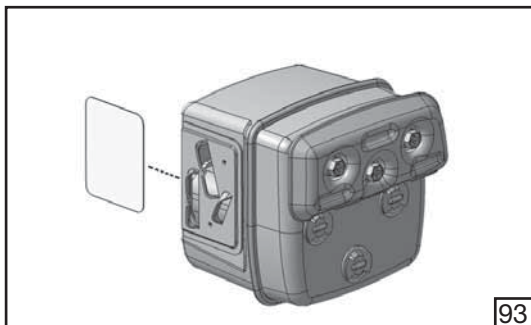
Ce moteur utilise une bougie NGK BPMR7A avec un espacement entre les électrodes de 0,5 mm (0,02 pouce) (Fig. 92). Remplacez-la par une bougie identique tous les six mois ou plus fréquemment si nécessaire.



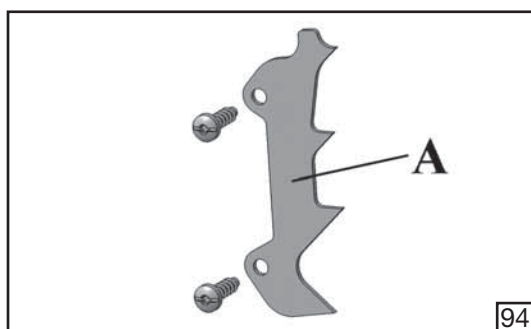
92



AVERTISSEMENT: Ne testez jamais le système d'allumage alors que le connecteur du câble d'allumage est débranché de la bougie ou si la bougie n'est pas montée dans son logement, au risque de produire un jaillissement d'étincelles non contrôlé qui peut entraîner un risque d'incendie. Une mauvaise connexion entre la borne de la bougie et le connecteur du câble d'allumage au niveau de la coiffe peut générer un arc électrique susceptible d'enflammer les vapeurs de carburant à l'origine d'un incendie.



93



94

Utilisez exclusivement des bougies antiparasites de la gamme préconisée.

Les facteurs tels que:

- un excès d'huile dans le mélange de carburant;
 - un filtre à air encrassé;
 - des conditions de fonctionnement défavorables, notamment le fonctionnement en charge partielle;
- peuvent entraîner une détérioration rapide de la bougie.

Silencieux pare-étincelles

Votre tronçonneuse est équipée d'un dispositif pare-étincelles Réf. 50080055 (Fig. 93) conforme aux exigences de la norme SAE J335 ; vous avez la possibilité de vérifier le numéro de référence du dispositif pare-étincelles apposé sur le silencieux.



AVERTISSEMENT: Un dispositif pare-étincelles défectueux ou modifié peut être à l'origine d'un incendie.

En usage normal, ce dispositif peut s'encrasser et doit être contrôlé toutes les semaines et nettoyé en fonction de son état.

Pour procéder au nettoyage: Contactez un centre de service agréé



AVERTISSEMENT: Si l'écran pare-étincelles est endommagé, défectueux ou détérioré, remplacez le corps de silencieux ou l'intégralité du silencieux.

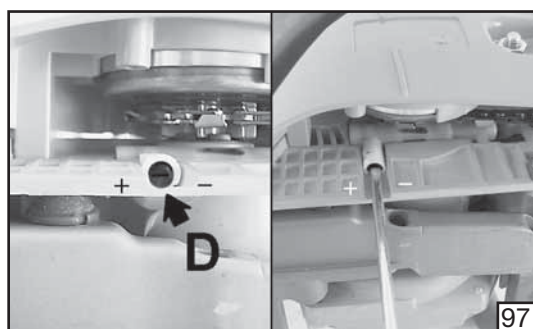
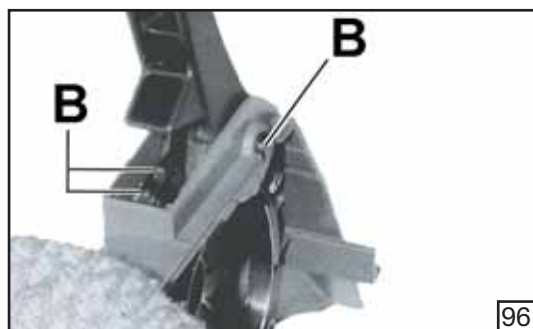
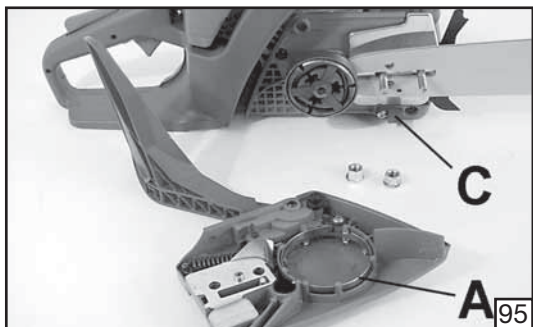
Le dispositif pare-étincelles nécessite un entretien et un nettoyage périodiques et précis, notamment pour ce qui concerne les points suivants:

- contrôlez périodiquement l'écran pare-étincelles et remplacez-le s'il est perforé, tordu ou déformé;
- vérifiez minutieusement si de la poussière, des débris ou toute substance organique est en contact avec les pièces du dispositif pare-étincelles; contrôlez particulièrement l'espace entre le silencieux et l'écran; nettoyez-le souvent à l'aide d'outils ou à l'air comprimé.

Jamais n'enlever pas le silencieux, toujours contacter un centre de service agréé pour le nettoyage de le dispositif pare-étincelles. Par souci de conformité à la norme, il est nécessaire de monter an griffe d'abattage Réf. 8850230145 (**A, Fig. 94**); celles-ci sont forunies dans l'emballage de la tronçonneuse.



AVERTISSEMENT: N'utilisez jamais votre tronçonneuse si le silencieux est endommagé, déposé ou modifié. Un silencieux mal entretenu augmente le risque d'incendie et de perte auditive.



Tuyau d'échappement



ATTENTION – Ce pot d'échappement est doté d'un catalyseur ce qui assure au moteur la conformité aux conditions sur les émissions requises. Ne jamais modifier ni déposer le catalyseur : toute modification est une violation à la loi.



ATTENTION – Les pots d'échappement dotés de catalyseur deviennent très chauds durant l'utilisation et restent ainsi longtemps après avoir éteint le moteur. Cette situation se présente même lorsque le moteur tourne au ralenti. Vous risquez de vous brûler en le touchant. Risque d'incendie!



PRÉCAUTION – Si le pot d'échappement est endommagé il doit être remplacé. S'il se bouche fréquemment, le rendement du catalyseur s'en trouve réduit.



ATTENTION – Ne pas utiliser la tronçonneuse si le pot est endommagé, absent ou modifié. Un silencieux mal entretenu augmente le risque d'incendie et de perte auditive.

Frein de chaîne

Si le frein de chaîne ne fonctionne pas correctement, déposez le couvercle d'embrayage et nettoyez les composants du frein de chaîne. Contrôlez l'état d'usure de la bande de frein (A, Fig. 95) et remplacez-la si elle est usée ou déformée.



AVERTISSEMENT: Si la bande de frein est excessivement usée, elle peut se rompre lorsque le frein de chaîne est appliqué. Si la bande de frein est cassée, le frein de chaîne ne pourra arrêter la chaîne. Le frein de chaîne doit être remplacé par un réparateur agréé si son épaisseur est inférieure à 0,6 mm (0,024") en n'importe quel point. Seul un réparateur agréé est habilité à effectuer toute réparation au niveau du frein de chaîne. Rapportez votre machine sur le lieu d'achat ou chez le réparateur agréé le plus proche.

Tenez le mécanisme du frein de chaîne propre en permanence et lubrifiez légèrement la tringlerie (B, Fig. 96).

Testez toujours le fonctionnement du frein de chaîne après entretien ou nettoyage conformément aux instructions de la section Fonctionnement - Frein de chaîne.



AVERTISSEMENT: Contrôlez et remplacez si nécessaire l'attrape-chaîne / la butée de sécurité (C, Fig. 95).

Pompe à huile (Automatique/Réglable)

Le réglage du débit est effectué par le fabricant en usine. Si les conditions l'exigent, l'opérateur a la possibilité de régler le débit d'huile par l'intermédiaire de la vis de réglage spécial (D, Fig. 97). L'huile circule uniquement lorsque la chaîne est en mouvement.

Utilisation du tableau de diagnostic des pannes



AVERTISSEMENT: Arrêtez toujours la machine et déconnectez la bougie avant de mettre en application l'un des remèdes préconisés ci-dessous, à l'exception des opérations nécessitant que la machine tourne.

Si le problème persiste après avoir vérifié toutes les causes possibles indiquées, contactez votre réparateur agréé. En cas de problème non référencé dans ce tableau, contactez votre réparateur agréé.

PROBLÈME	CAUSE POSSIBLE	REMÈDE
Le moteur ne démarre pas ou il tourne pendant quelques secondes puis s'arrête. (Vérifiez que l'interrupteur d'allumage est sur la position de démarrage "I").	1. Absence d'étincelle 2. Moteur noyé.	1. Contrôlez la bougie. Déposez le couvercle de filtre à air. Retirez la bougie du cylindre. Reconnectez le fil de bougie et placez la bougie sur le haut du cylindre. Tirez sur le lanceur et observez la formation d'étincelles à l'extrémité de la bougie. Si aucune étincelle n'est produite, répéter l'essai en utilisant une bougie neuve (BPMR7A). 2. Passez l'interrupteur d'allumage en position d'arrêt (OFF) et retirez la bougie. Passez le levier d'étrangleur sur la position de fonctionnement (complètement enfoncé) et actionnez le lanceur 15 à 20 fois. Cela permet d'évacuer l'excès de carburant dans le moteur. Nettoyez et remontez la bougie. Tirez le levier du starter jusqu'au bout et ramenez le levier complètement pour activer le dispositif de demi accélération. Actionnez le lanceur trois fois en mettant le levier d'étrangleur en position de fonctionnement. Si le moteur ne démarre pas, passez le levier d'étrangleur sur la position de démarrage et effectuez la procédure de démarrage normal. Si le moteur ne démarre toujours pas, répétez la procédure avec une bougie neuve.
Le moteur démarre mais n'accélère pas correctement:	Le carburateur nécessite un réglage de l'aiguille "L" (gicleur bas).	* Contactez un service d'entretien agréé pour le réglage du carburateur.
Le moteur démarre mais ne fonctionne pas correctement à régime élevé.	Le carburateur nécessite un réglage de l'aiguille "H" (gicleur haut).	* Contactez un service d'entretien agréé pour le réglage du carburateur.
Le moteur n'atteint pas son régime maximal / ou fume excessivement	1. Contrôlez le mélange huile/carburant. 2. Filtre à air encrassé. 3. Écran pare-étincelles encrassé. 4. Le carburateur nécessite un réglage de l'aiguille "H" (gicleur haut).	1. Utilisez du carburant récent et la proportion d'huile deux temps appropriée. 2. Procédez au nettoyage conformément aux instructions de la section Entretien-Filtre à air. 3. Procédez au nettoyage conformément aux instructions de la section Entretien-Silencieux pare-étincelles. 4. * Contactez un service d'entretien agréé pour le réglage du carburateur.
Le moteur démarre, tourne et accélère, mais ne tient pas le ralenti.	Le carburateur nécessite un réglage.	Tournez la vis de réglage du ralenti "T" dans le sens des aiguilles d'une montre pour augmenter le régime de ralenti. (Si la chaîne tourne au régime de ralenti, tournez la vis de ralenti "T" dans le sens inverse des aiguilles d'une montre pour réduire le régime de ralenti); voir la section Fonctionnement-Réglage du carburateur.
Surchauffe et dégagement de fumée au niveau du guide et de la chaîne	1. Réservoir d'huile de chaîne vide. 2. Chaîne trop tendue. 3. Fonction du dispositif de graissage.	1. Le réservoir d'huile doit être rempli à chaque plein du réservoir de carburant. 2. Tendez la chaîne conformément aux instructions de la section Fonctionnement-Tension de la chaîne. 3. Faites tourner le moteur à plein régime pendant 15 à 30 secondes. Arrêtez la tronçonneuse et vérifiez que l'huile s'écoule au niveau de la protection d'embout de guide et du guide-chaîne. Si l'huile est présente, il se peut que la chaîne soit émoussée ou que le guide-chaîne soit endommagé. En cas d'absence d'huile, contactez un service d'entretien agréé.
Le moteur démarre et tourne, mais la chaîne n'est pas entraînée	1. Frein de chaîne engagé. 2. Chaîne trop tendue. 3. Montage du guide-chaîne et chaîne. 4. Chaîne et/ou guide-chaîne endommagés. 5. Embrayage et/ou pignon à flasques endommagés.	1. Désengagez le frein de chaîne ; voir la section Fonctionnement-Frein de chaîne. 2. Tendez la chaîne conformément aux instructions de la section Fonctionnement-Tension de la chaîne. 3. Voir la section Montage-Montage du guide-chaîne et de la chaîne. 4. Voir la section Entretien-Chaîne et/ou Entretien-Guide-chaîne. 5. Procédez au remplacement si nécessaire Contactez un réparateur agréé.



AVERTISSEMENT: Ne touchez jamais la chaîne lorsque le moteur tourne.

***Remarque:** Ce moteur est conforme aux normes de l'EPA (Agence de protection de l'environnement) et du CARB (California Air Resource Board) en matière de contrôle des émissions polluantes. En conséquence, les aiguilles de réglage du carburateur sont équipées de capuchons en plastique limitant la rotation par rapport au réglage d'usine initial. Si votre machine présente des problèmes spécifiques de performance ne pouvant être rectifiés en suivant les instructions de la section Diagnostic des pannes, il est recommandé la porter à un service d'entretien agréé pour réparation.

Remisage de la tronçonneuse



AVERTISSEMENT: Coupez le moteur et laissez-le refroidir, puis arrimez la machine avant remisage ou transport dans un véhicule. Remisez la machine et le carburant dans un endroit où les vapeurs de carburant ne seront en contact avec aucune source d'étincelles ou de flammes nues, notamment à proximité de chaudières, de moteurs ou d'interrupteurs électriques, de fours, etc. Montez toutes les protections fournies avec la machine pour le remisage. Rangez la machine de telle sorte que les parties tranchantes ne puissent blesser accidentellement toute personne passant à proximité. Remisez la machine hors de portée des enfants ou de toute autre personne non habilitée à l'utiliser.

1. Vidangez et nettoyez le réservoir de carburant dans un lieu suffisamment aéré.
2. Vidangez l'intégralité du carburant dans un conteneur approprié au stockage de l'essence. Faites tourner le moteur jusqu'à ce qu'il s'arrête de lui-même. Cela permet d'évacuer le mélange susceptible de s'éventer et de laisser un dépôt de vernis et de gomme dans le circuit d'alimentation de carburant.
3. Nettoyez toutes les substances étrangères accumulées sur la tronçonneuse. Maintenez la machine à distance de tout agent corrosif tels que les engrais de jardin ou les sels de déverglaçage.
4. Respectez la réglementation locale et nationale en matière de stockage et de manipulation de l'essence. N'utilisez pas le surplus de carburant dans un autre équipement à moteur deux temps.



MISE EN GARDE: Il est important d'éviter le dépôt de gomme dans les composants du circuit d'alimentation de carburant tels que le carburateur, le filtre à carburant, la conduite d'alimentation de carburant ou le réservoir de carburant au cours du remisage. Les carburants à base d'alcool (appelés essence-alcool ou E10, ou à base d'éthanol ou de méthanol) sont hydrophiles, ce qui peut entraîner une séparation des composants du carburant et la formation d'acides au cours du remisage. Les gaz acides peuvent endommager le moteur.

CARACTÉRISTIQUES TECHNIQUES

MT 5200

MOTEUR:

Cylindrée:	3.15 cu.in (51.7 cc)
Alésage:	1.77 in (45 mm)
Course:	1.28 in (32.5 mm)

PERFORMANCES:

Régime de ralenti:	2,800÷3,100 RPM
Régime maximal (Avec guide et chaîne):	12,500÷13,500 RPM
Puissance:	3.4 HP/2.5 kW (9,000 RPM)

CIRCUITS D'ALIMENTATION DE CARBURANT ET D'HUILE:

Carburateur:	Carburateur à diaphragme toute position
Capacité du réservoir de carburant:	16.9 oz. (500 ml)
Proportions du mélange:	Voir la section Fonctionnement-Alimentation de carburant
Capacité du réservoir d'huile:	9.1 oz. (270 ml)
Lubrification de la chaîne:	Pompe à huile volumétrique automatique

SYSTÈME D'ALLUMAGE:

Bougie:	NGK BPMR7A
Écartement des électrodes:	0.02 in. (0.5 mm)

EPA / CEPA:

La durée de conformité aux normes antipollution figurant sur l'étiquette de conformité aux normes antipollution indique le nombre d'heures de fonctionnement pendant lequel le moteur demeure conforme aux exigences fédérales en matière de pollution.

Catégorie:

- A = 300 heures,
- B = 125 heures,
- C = 50 heures

CARB:

La durée de conformité aux normes anti-pollution figurant sur les étiquettes d'indice de qualité de l'air-CARB indique les périodes:

- Prolongée = 300 heures,
- Intermédiaire = 125 heures,
- Modérée = 50 heures.

Para utilizar correctamente la motosierra y evitar accidentes, lea primero este manual atentamente antes de trabajar con ella. Encontrará explicaciones sobre el funcionamiento de los distintos componentes, además de instrucciones para realizar las comprobaciones y el mantenimiento necesarios.

Nota: Las ilustraciones y las especificaciones proporcionadas en este manual pueden variar según los requisitos de cada país, y están sujetas a cambios sin previo aviso por parte del fabricante.

MANUAL DEL OPERADOR

El manual del operador está destinado a proporcionar protección al usuario. LÉALO. Guárdelo en un sitio seguro para consultarlo en el futuro. Conozca los procedimientos necesarios antes de comenzar a montar la unidad. La preparación y el mantenimiento adecuados juegan un papel fundamental para obtener la máxima seguridad y rendimiento del motosierra.

Póngase en contacto con el concesionario o el distribuidor local si no comprende alguna de las instrucciones de este manual.

Además de las instrucciones de uso, este manual contiene párrafos que requieren una especial atención.

Tales párrafos están marcados con los símbolos descritos a continuación:

Advertencia: si existe riesgo de accidente o lesiones personales o daños graves a la propiedad.

Precaución: si existe riesgo de producirse daños en la máquina o en sus componentes individuales.



ADVERTENCIA: Para garantizar el funcionamiento seguro y correcto de la motosierra, este manual del operador deberá conservarse siempre con la máquina o estar cerca de ella. No preste ni alquile la motosierra sin el manual de instrucciones del operador.



ADVERTENCIA: Sólo deberán utilizar la motosierra las personas que entiendan este manual.

IDENTIFICACIÓN DEL PRODUCTO

Componentes de la motosierra 75

SEGURIDAD

Significado de las etiquetas de seguridad 76

Requisitos estatales y locales 76

REGLAS DE SEGURIDAD

Precauciones básicas de seguridad 78

Manejo del combustible 79

Funcionamiento y seguridad 79

Precauciones contra el rebote 80

Precauciones para reducir el riesgo de vibraciones 84

Precauciones de mantenimiento 84

ENSAMBLAJE

Montaje de la barra y la cadena 85

FUNCIONAMIENTO

Tensión de la cadena 87

Rodaje de la cadena 87

Púa de tronzado 88

Alimentación de combustible 88

Sistema de lubricación de la cadena 89

Preparación para cortar 90

Arranque del motor 92

Rodaje del motor 93

Parada del motor 94

Funcionamiento del freno de la cadena 94

Tala de árboles 95

Tronzado 97

Corte de ramas y poda 98

MANTENIMIENTO

Tabla de mantenimiento 100

Mantenimiento de la cadena 101

Mantenimiento de la barra guía 102

Ajuste del carburador 103

Filtro de combustible 103

Filtro de aire 103

Unidad de motor de arranque 104

Motor 104

Bujía 104

Amortiguador de supresión de chispas 105

Freno de la cadena 106

Bomba de aceite (automática/ajustable) 106

SOLUCIÓN DE PROBLEMAS

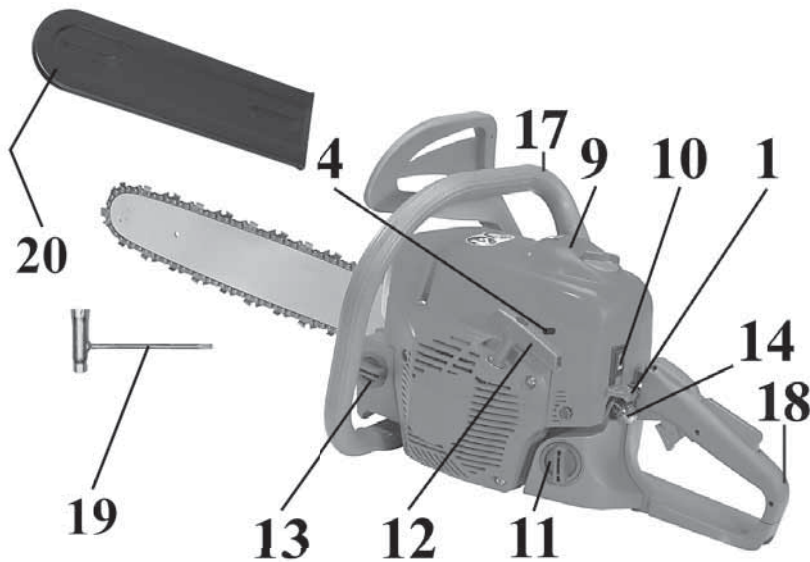
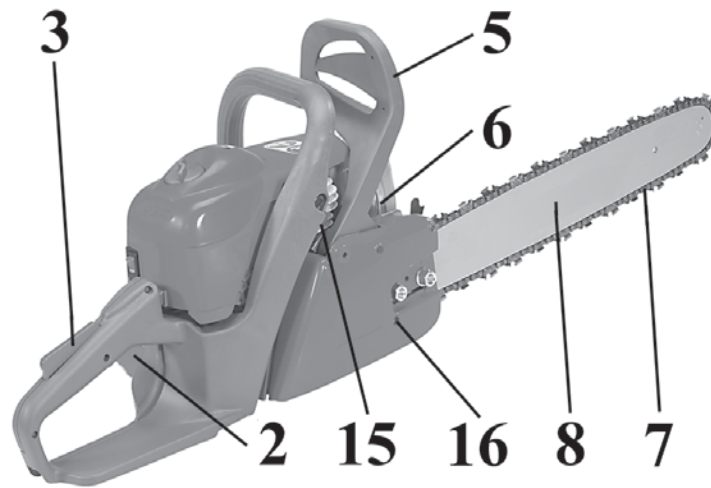
Utilización de la tabla de solución de problemas 107

ALMACENAMIENTO

Almacenamiento de la motosierra 108

DATOS TÉCNICOS

MT 5200 108



Componentes de la motosierra

- | | |
|-----------------------------------|--|
| 1. Palanca cebador | 11. Tapón depósito combustible |
| 2. Palanca del acelerador | 12. Empuñadura |
| 3. Palanca de tope del acelerador | 13. Tapón depósito aceite |
| 4. Tornillo regulación carburador | 14. Burbuja primer |
| 5. Palanca freno inercial | 15. Válvula de descompresión |
| 6. Silenciador | 16. Tornillo lateral para tensar la cadena |
| 7. Cadena | 17. Empuñadura delantera |
| 8. Barra | 18. Empuñadura trasera |
| 9. Tapa filtro | 19. Llave de combinación |
| 10. Interruptor de masa | 20. Funda de la barra |

Significado de las etiquetas de seguridad



- Este símbolo indica Advertencia y Precaución.



- Este manual contiene mensajes especiales para llamar la atención sobre cuestiones de seguridad, daños en la máquina, así como información útil relativa al funcionamiento y al mantenimiento. **PARA EVITAR QUE SE PRODUZCAN LESIONES Y DAÑOS EN LA MÁQUINA, LEA ATENTAMENTE TODA LA INFORMACIÓN PROPORCIONADA.**



- Utilice protección para los ojos, oídos y cabeza cuando emplee este equipo.



- Utilice guantes protectores antideslizantes y de gran resistencia cuando maneje la motosierra y la cadena.



- Utilice zapatos o botas de seguridad resistentes con suelas antideslizantes y añadidos antiperforación.



- **ADVERTENCIA:** Tenga cuidado con los rebotes. Sugerencia puede causar la barra de guía para moverse hacia arriba y hacia atrás de repente, lo que puede causar una lesión grave.



- Sugerencia puede causar la barra de guía para moverse hacia arriba y hacia atrás de repente, lo que puede causar una lesión grave.



- Agarre siempre la motosierra correctamente con las dos manos.



- Valor de rebote máximo medido sin freno de cadena para la combinación de barra y cadena indicado en la etiqueta.

Requisitos estatales y locales

La motosierra está equipada con un amortiguador de limitación de temperatura, una pantalla de supresión de chispas y dos púas de tronzado para cumplir los requisitos de la Práctica Recomendada por SAE J335 y los Códigos de California 4442 y 4443. **Para trabajar en todos los terrenos forestales nacionales y en los terrenos gestionados por los estados de California, Maine, Washington, Idaho, Minnesota, Nueva Jersey y Oregón, la ley requiere que los motores de combustión interna estén equipados con una pantalla de supresión de chispas. Otras agencias estatales y federales están promulgando regulaciones similares.**

Si utiliza una motosierra en un estado o localidad en los que existan tales regulaciones, será legalmente responsable del mantenimiento del estado de funcionamiento de estos componentes. En caso contrario, estará violando la ley. **El mantenimiento del supresor de chispas se describe en la sección correspondiente al mantenimiento del amortiguador de supresión de chispas.**

Nota: Cuando utilice una motosierra para la tala de árboles, consulte el Código de Regulaciones Federales, Partes 1910 y 1928.



ADVERTENCIA: El sistema de encendido de la unidad genera un campo electromagnético de muy baja intensidad. Dicho campo puede afectar al funcionamiento de ciertos marcapasos. Para reducir el riesgo de lesiones graves o mortales, las personas que tengan un marcapasos deben consultar a su médico y al fabricante del marcapasos antes de utilizar esta herramienta.



ADVERTENCIA: Mantenga todos los miembros corporales alejados del amortiguador, ya que sus superficies están muy calientes durante y después de la utilización de la motosierra. Si entra en contacto con el amortiguador, pueden producirse quemaduras graves.



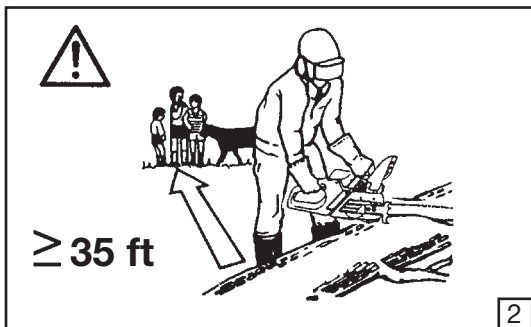
ADVERTENCIA: La exposición a vibraciones por el uso prolongado de herramientas manuales alimentadas con gasolina podría provocar daños en los nervios o en los vasos sanguíneos de los dedos, manos y muñecas de personas propensas a sufrir problemas de circulación o hinchazones anormales. El uso prolongado en climas fríos se ha relacionado con daños en los vasos sanguíneos de personas sanas. Si aparecen síntomas tales como pérdida de sensibilidad, dolor, pérdida de fuerza, cambio en la textura o color de la piel, o pérdida de sensibilidad en los dedos, manos o muñecas, deje de utilizar esta herramienta y acuda a un médico.



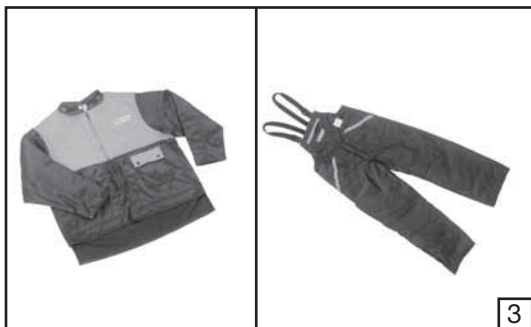
ADVERTENCIA: Los gases de escape del motor de este producto contienen sustancias químicas que, según el Estado de California, provocan cáncer, defectos en recién nacidos u otros daños reproductivos. Utilice la motosierra solamente en el exterior en un lugar bien ventilado.



1



2



3



4



5

Precauciones básicas de seguridad

- Antes de utilizar la unidad, lea este manual atentamente hasta que comprenda por completo todas las reglas de seguridad, precauciones e instrucciones de manejo y sepa cómo seguirlas.
- La motosierra sólo la deben utilizar adultos que comprendan y puedan seguir las reglas de seguridad, precauciones e instrucciones de manejo indicadas en este manual. Los menores no deben utilizar nunca una motosierra.
- No maneje ni utilice una motosierra si está cansado, enfermo o indispuesto. Tampoco la utilice si ha tomado alcohol, drogas o medicamentos. Debe encontrarse en buen estado físico y con la mente despierta. Trabajar con una motosierra es agotador. Si se encuentra en algún estado que se pueda ver agravado por un trabajo agotador, consulte a su médico antes de utilizar una motosierra (Fig.1). Prestar atención antes de descansar y a la fin del vuestro turno de trabajo.
- Los niños, transeúntes y animales deben mantenerse a una distancia mínima de 35 pies (10 metros) del lugar de trabajo. No permita que personas o animales se acerquen a la motosierra cuando la arranque o la utilice (Fig.2).
- Los casos más importantes de accidentes con motosierras se producen cuando la cadena golpea al operador. Mientras trabaje con la motosierra, utilice siempre prendas protectoras de seguridad homologadas. El uso de prendas protectoras no elimina el riesgo de lesiones, pero reduce los efectos de las lesiones en caso de accidente. Consulte a su proveedor a la hora de elegir equipos conformes con la legislación. Las prendas deben ser las adecuadas y no ser un obstáculo. Utilice prendas adherentes a prueba de cortes. **Las chaquetas a prueba de cortes (Fig.3), los pantalones de peto (Fig.3) y los leggings son prendas ideales.** No lleve prendas, pañuelos, corbatas o pulseras que puedan quedar atrapados en la madera o en las ramas. Si tiene el pelo largo, recójase y protéjase (por ejemplo, con un pañuelo, gorra, casco, etc.). **Utilice zapatos o botas de seguridad con suelas antideslizantes y añadidos antiperforación (Fig.4). Utilice un casco protector (Fig.5) en lugares en los que puedan caer objetos. Utilice gafas protectoras o protectores faciales. Emplee protecciones contra el ruido: por ejemplo, protectores para los oídos que reduzcan el nivel de ruido (Fig.5) o tapones para los oídos.** Si se utilizan protecciones para los oídos, se deberá tener mucho más cuidado y prestar más atención, ya que la percepción de señales sonoras de peligro (gritos, alarmas, etc.) quedará limitada. **Utilice guantes a prueba de cortes (Fig. 6).**
- Preste la máquina únicamente a usuarios expertos que estén completamente familiarizados con su funcionamiento y uso correcto. Proporcione a los demás usuarios el manual con las instrucciones de uso, el cual deberán leer antes de utilizar la máquina.
- Compruebe la motosierra cada día para asegurarse de que todos sus dispositivos se encuentran en perfecto estado de funcionamiento.
- No utilice nunca la motosierra si está dañada, modificada o si se ha reparado o montado incorrectamente. No desmonte, dañe ni desactive ninguno de los dispositivos de seguridad. Utilice únicamente barras de la longitud indicada en la tabla (página 83). Sustituya siempre la barra, cadena, protector de manos o freno de la cadena inmediatamente si se dañan, se rompen o se extraen.
- Planifique previamente con cuidado la operación de corte. No se ponga a cortar hasta que el área de trabajo esté despejada y el suelo en el que vaya a trabajar sea seguro. Igualmente, si va a talar árboles, debe haber planificado un sendero de retirada.
- Todos los trabajos de mantenimiento de la motosierra, que no sean las operaciones mostradas en este manual, los deben realizar personal competente.
- La motosierra sólo se debe utilizar para cortar madera. No se aconseja cortar otros tipos de material.
- No se recomienda enganchar herramientas o aplicaciones a la toma de fuerza que no estén especificados por el fabricante.



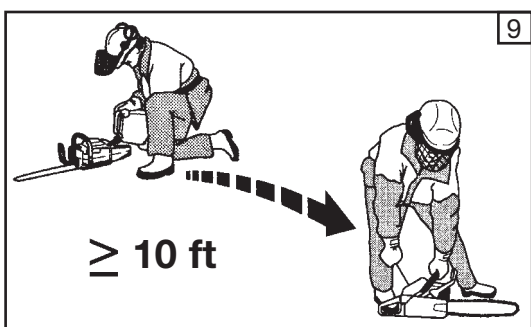
6



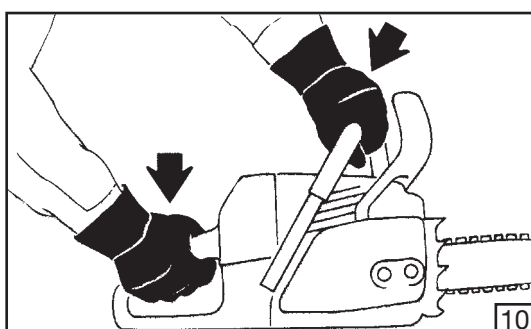
7



8



9



10

Manejo del combustible



ADVERTENCIA: La gasolina es un combustible muy inflamable. Tenga mucho cuidado cuando maneje mezclas de gasolina o combustible. No fume ni acerque llamas o fuego al combustible ni a la motosierra (Fig.7).

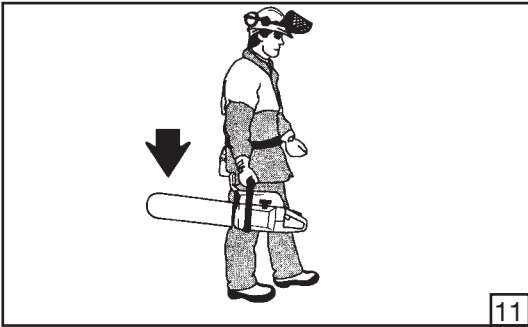
- Para reducir el riesgo de incendios y quemaduras, maneje el combustible con cuidado. Es altamente inflamable.
- Mezcle y guarde el combustible en un contenedor homologado para gasolina (Fig.8).
- Mezcle el combustible en el exterior donde no haya chispas ni llamas.
- Seleccione un terreno desnudo, pare el motor y deje que se enfríe antes de recargar combustible.
- Afloje lentamente el tapón del depósito de combustible para liberar la presión y para evitar que el combustible se escape alrededor del tapón.
- Apriete firmemente el tapón del depósito de combustible tras recargar combustible. Si el tapón del depósito no está correctamente apretado, las vibraciones de la unidad pueden provocar que el tapón se afloje o se salga y se derrame combustible.
- Elimine de la unidad el combustible que se haya derramado. Aléjese 10 pies (3 m) del lugar de recarga de combustible antes de arrancar el motor (Fig.9).
- No queme nunca el combustible que se haya derramado.
- No fume mientras maneje combustible ni mientras utilice la motosierra.
- Guarde el combustible en un lugar fresco, seco y bien ventilado.
- No sitúe nunca la motosierra en un lugar donde haya elementos combustibles, tales como hojas secas, paja, papel, etc.
- Guarde la unidad y el combustible en un lugar donde los vapores del combustible no puedan ponerse en contacto con chispas o llamas de calentadores de agua, motores o interruptores eléctricos, hornos, etc.
- No quite nunca el tapón del depósito con el motor en funcionamiento.
- No utilice nunca combustible para operaciones de limpieza.
- Tenga cuidado para que el combustible no entre en contacto con su ropa.

Funcionamiento y seguridad



ADVERTENCIA: Agarre siempre la motosierra con las dos manos cuando el motor esté en funcionamiento. Sujete firmemente la motosierra con los pulgares y los dedos alrededor de las empuñaduras (Fig.10).

- Mantenga todas las partes del cuerpo alejadas de la cadena cuando el motor esté en marcha.
- Transporte siempre la motosierra con el motor parado y el freno de la cadena accionado, la barra guía y la cadena hacia la parte trasera y el amortiguador alejado del cuerpo. Cuando transporte la motosierra, ponga la funda adecuada en la barra guía (Fig.11, página 80). Cuando la transporte en un vehículo, mantenga la cadena y la barra cubiertas con la protección para la cadena. Asegure correctamente la motosierra para evitar vuelcos, derramamiento de combustible y daños en dicha motosierra.
- Accione el freno de la cadena antes de cambiar de ubicación en la zona de corte.
- No utilice la motosierra con una mano. Si lo hace, usted, los ayudantes y los transeúntes pueden sufrir lesiones graves. La motosierra está diseñada para utilizarse con las dos manos.



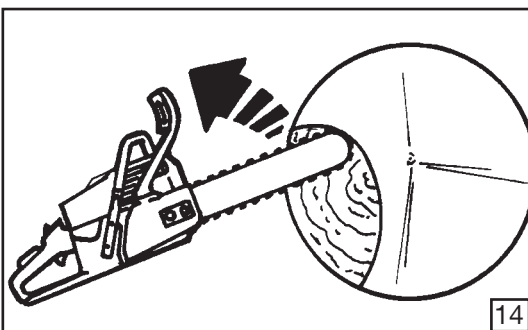
11



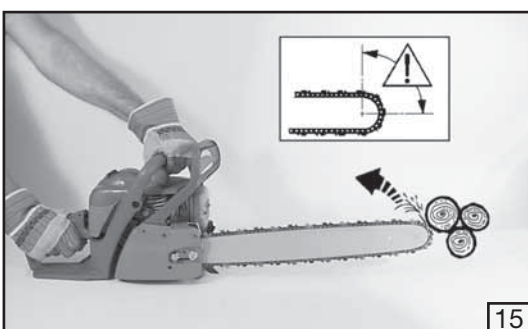
12



13



14



15

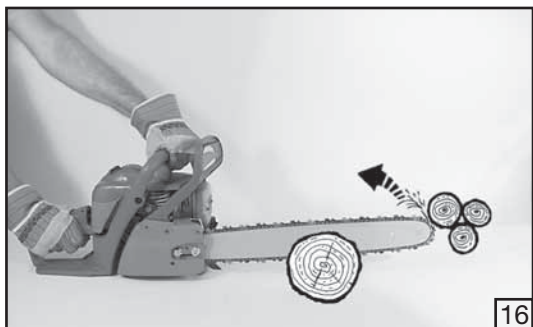
- Antes de arrancar el motor, compruebe que la cadena no toca ningún objeto. No arranque nunca la motosierra cuando la barra guía se encuentre en un corte.
- Apague el motor antes de dejar la motosierra en el suelo. No deje el motor en marcha desatendido.
- Como precaución de seguridad adicional, accione el freno de la cadena antes de dejar la motosierra en el suelo.
- Utilice la motosierra únicamente en lugares bien ventilados, y no la emplee en atmósferas explosivas o inflamables ni en entornos cerrados (Fig.12). Prestar atención a la posibilidad de envenenamiento de monóxido de carbono.
- No utilice la motosierra subido a una escalera o a un árbol. Corte siempre desde una posición segura y firme sobre el suelo.
- No ejerza presión sobre la motosierra al final del corte. Si ejerce presión, puede perder el control al finalizar el corte.
- No corte cerca de cables eléctricos.
- Mantenga las empuñaduras secas, limpias y sin mezclas de combustible o aceite.
- Cuando la motosierra esté en funcionamiento, agarre firmemente la empuñadura delantera con la mano izquierda y la empuñadura trasera con la mano derecha (Fig.10, página 79).
- Cuando corte una rama que esté bajo tensión, tenga cuidado con la recuperación elástica para no resultar golpeado cuando se libere la tensión existente en la fibra de madera.
- Tenga mucho cuidado cuando corte ramas pequeñas o arbustos que puedan bloquear la cadena, salir despedidos hacia usted o hacer que pierda el equilibrio.
- No corte nunca con la motosierra situada por encima de los hombros (Fig.13).
- No arranque nunca la motosierra sin estar puesta la funda de la cadena.

Precauciones contra el rebote



ADVERTENCIA: Evite los rebotes, que pueden producir lesiones graves. El rebote es el movimiento repentino hacia atrás, hacia arriba o hacia adelante de la barra guía que se produce cuando la cadena próxima al extremo superior de la barra guía entra en contacto con algún objeto, tal como una rama o un tronco, o cuando la madera se cierra y aprisiona la cadena en el corte. Si entra en contacto con un objeto extraño existente en la madera, es posible también que pierda el control de la motosierra.

- **Se puede producir rebote giratorio** cuando la cadena en movimiento entra en contacto con un objeto en el extremo superior de la barra guía. Este contacto puede provocar que la cadena se clave en el objeto, lo cual hace que la cadena se pare durante un instante. El resultado es una reacción de inversión muy rápida que hace que la barra guía se desplace bruscamente hacia arriba y atrás hacia el operador (Fig.14-15 y Fig. 16, página 81).
- **Se puede producir rebote por aprisionamiento** cuando la madera se cierra y aprisiona la cadena en movimiento en el corte a lo largo de la parte superior de la barra guía, y la cadena se para repentinamente. Esta parada repentina de la cadena hace que se invierta la fuerza utilizada para cortar madera y provoca que la motosierra se mueva en el sentido contrario al giro de la cadena. La motosierra se mueve directamente hacia atrás hacia el operador.
- **Se pueden producir tirones** si la cadena en movimiento entra en contacto con un objeto extraño de la madera en el corte a lo largo de la parte inferior de la barra guía, y la cadena se para repentinamente. Esta parada repentina tira de la motosierra hacia adelante, por lo que ésta se aleja del operador y éste puede perder fácilmente el control de la motosierra.



Evite el rebote por aprisionamiento:

- Esté muy alerta ante situaciones u obstrucciones que puedan provocar que el material aprisione la parte superior de la cadena o que la pare.
- No corte más de un tronco cada vez.
- No fuerza la motosierra mientras retira la barra de un corte sesgado al tronzar.

Evite los tirones:

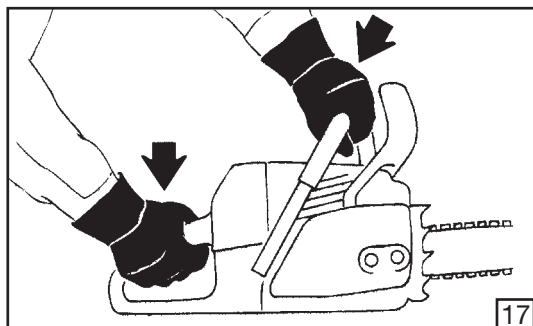
- Comience siempre a cortar con el motor a velocidad máxima y el alojamiento de la sierra contra la madera.
- Utilice cuñas de plástico o de madera. No utilice nunca metal para mantener el corte abierto.

Reduzca el riesgo de rebotes



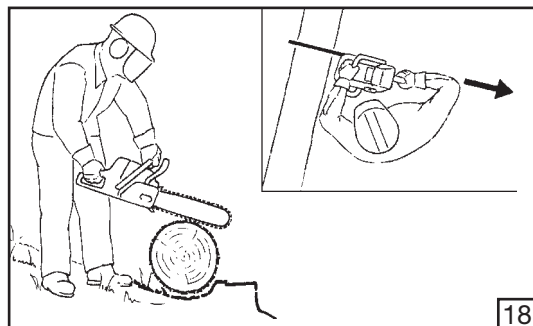
Reconozca que se pueden producir rebotes. Entendiendo básicamente el concepto de rebote, puede reducir el elemento sorpresa que contribuye a que se produzcan accidentes.

- No permita nunca que la cadena en movimiento entre en contacto con algún objeto en el extremo de la barra guía.
- Mantenga el lugar de trabajo libre de obstrucciones tales como otros árboles, ramas, rocas, vallas, tocones, etc. Elimine o evite las obstrucciones que la cadena pueda golpear mientras corta un determinado tronco o rama.
- Mantenga la cadena afilada y con la tensión adecuada. Si la cadena está floja o ha perdido brillo, la probabilidad de que se produzcan rebotes puede aumentar. Siga las instrucciones del fabricante relativas al mantenimiento y afilado de la cadena. Compruebe la tensión a intervalos regulares con el motor parado, nunca con el motor en marcha. Compruebe que las tuercas del freno de la cadena están firmemente apretadas tras tensar la cadena.
- Continúe con el proceso de corte a velocidad máxima. Si la cadena se mueve a una velocidad menor, existe un mayor riesgo de que se produzcan rebotes.
- Corte un tronco cada vez.
- Extremar la precaución cuando entre de nuevo en un corte anterior.
- No intente cortar comenzando con la punta de la barra (cortes por la punta).
- Tenga cuidado con los troncos que se mueven u otras fuerzas que puedan cerrar el corte y aprisionar la cadena o caer en ella.
- Utilice la barra guía de reducción de rebotes y la cadena de bajo rebote que se especifican para la motosierra.



Mantenga el control (Fig.17-18)

- Mantenga la motosierra firmemente agarrada con ambas manos cuando el motor esté en marcha y no la suelte. Al agarrar la unidad firmemente, se reduce la posibilidad de que se produzcan rebotes y se mantiene el control de la motosierra. Mantenga los dedos de la mano izquierda alrededor de la empuñadura y el pulgar izquierdo debajo de la empuñadura delantera. Mantenga la mano derecha por completo alrededor de la empuñadura trasera ya sea diestro o zurdo. Mantenga el brazo izquierdo recto con el codo fijo.
- Ponga la mano izquierda en la empuñadura delantera de forma que quede en línea recta con la mano derecha en la empuñadura trasera cuando haga cortes de tronzado. No invierta nunca las posiciones de la mano derecha e izquierda para ningún tipo de corte.
- Mantenga su peso equitativamente equilibrado sobre ambos pies.



- Sitúese ligeramente hacia el lado izquierdo de la motosierra para que su cuerpo no esté en línea directa con la cadena de corte.
- No eleve la motosierra. Podría perder el equilibrio y el control de la motosierra.
- No corte por encima de la altura de los hombros. Es difícil mantener el control de la motosierra por encima de la altura de los hombros.

Características de seguridad ante rebotes

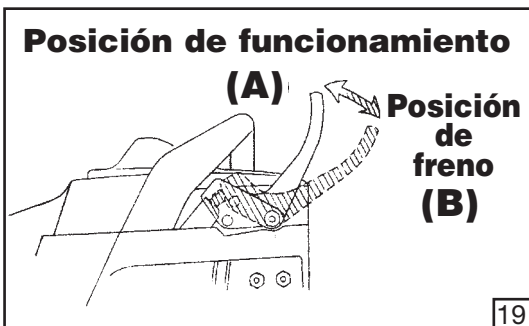


ADVERTENCIA: Las siguientes características están incluidas en la motosierra para contribuir a reducir el peligro de rebote; no obstante, dichas características no eliminarán por completo esta peligrosa reacción. Como usuario de la motosierra, no confíe únicamente en los dispositivos de seguridad. Debe seguir todas las precauciones, instrucciones y mantenimiento de seguridad indicados en este manual para evitar los rebotes y otras fuerzas que pueden producir lesiones graves.

- La barra guía de reducción de rebotes se ha diseñado con una punta de radio pequeño que reduce la dimensión de la zona de peligro de rebote en la punta de la barra. Se ha demostrado que la barra guía de reducción de rebotes reduce significativamente el número y gravedad de los rebotes al someterla a pruebas de acuerdo con los requisitos de seguridad para motosierras de gasolina según lo establece la norma ANSI B175.1-1991.
- La cadena de bajo rebote se ha diseñado con un calibre de profundidades con contorno y un eslabón de protección que desvían la fuerza de rebote y permiten que la madera entre gradualmente en el cortador. La cadena de bajo rebote ha cumplido los requisitos de rendimiento ante rebotes al someterla a pruebas en una muestra representativa de motosierras con una cilindrada inferior a 3,8 pulgadas cúbicas según se especifica en la norma ANSI B175.1 - 1991.
- El protector delantero de manos se ha diseñado para reducir la posibilidad de que la mano entre en contacto con la cadena al deslizarse la mano por la empuñadura delantera.
- La posición de las empuñaduras delantera y trasera se ha diseñado con una distancia entre ellas y “en línea” la una con la otra. La posición desplegada y “en línea” de las manos que proporciona este diseño ofrece equilibrio y resistencia para controlar el giro de la motosierra hacia el operador en el caso de producirse rebote.

Freno de la cadena

Los frenos de la cadena están diseñados para detener rápidamente el giro de la cadena. Cuando la palanca del freno de la cadena/protector de manos se empuja hacia la barra, la cadena debe detenerse inmediatamente. **El freno de la cadena no evita que se produzcan rebotes.** La **posición de funcionamiento (A)** y la **posición de freno (B)** del freno de la cadena se ilustran en la Fig. 19. El freno de la cadena se debe limpiar y comprobar diariamente. Limpie el freno de la cadena según se indica en la sección de mantenimiento del freno de la cadena y compruébela como se especifica en la sección de funcionamiento de dicho freno.



19



ADVERTENCIA: Incluso con un mantenimiento adecuado, el funcionamiento correcto del freno de la cadena en el campo no se puede certificar.



ADVERTENCIA: NO GARANTIZAMOS QUE EL FRENO DE LA CADENA LE VAYA A PROTEGER EN EL CASO DE PRODUCIRSE UN REBOTE. TAMPOCO USTED DEBE ASUMIR QUE LE VAYA A PROTEGER. NO SE CONFÍE EN NINGUNO DE LOS DISPOSITIVOS INCORPORADOS EN LA MOTOSIERRA. DEBE UTILIZARLA CORRECTAMENTE Y CON CUIDADO PARA EVITAR REBOTES.

Barra guía de reducción de rebotes y cadena de bajo rebote

Las barras guía de reducción de rebotes y las cadenas de bajo rebote reducen la posibilidad de que se produzcan rebotes y su magnitud, y se recomienda utilizarlas. La motosierra dispone de una barra y cadena de bajo rebote de serie. Las reparaciones del freno de la cadena se deben realizar en un concesionario de servicio autorizado. Lleve la unidad al establecimiento de compra si la adquirió mediante un concesionario de servicio, o al concesionario de servicio autorizado más próximo.



ADVERTENCIA: El ángulo de rebote calculado (CKA) que se indica en la motosierra y en la siguiente tabla de CKA representa el ángulo de rebote que tendrán las combinaciones de barra y cadena según las pruebas realizadas de acuerdo con la norma ANSI. Al adquirir una barra y cadena de repuesto, se deberán tener en cuenta los valores CKA más bajos. Los valores CKA más bajos representan ángulos más seguros para el usuario, mientras que los valores más altos indican un ángulo mayor y energías de rebote más altas. Los ángulos calculados que se representan indican el ángulo y la energía totales asociados sin activarse el freno de la cadena durante el rebote. El ángulo activado representa el momento de parada de la cadena en relación con el ángulo de activación del freno de la cadena y el ángulo de rebote resultante de la motosierra. En todos los casos, los valores CKA más bajos representan un entorno de funcionamiento más seguro para el usuario. Las siguientes combinaciones de cadena y barra guía cumplen los requisitos de rebote de la norma ANSI B175.1 al utilizarse en las motosierras indicadas en este manual. No se recomienda utilizar combinaciones de cadena y barra distintas de las indicadas y pueden no cumplir los requisitos de CKA según la norma.



ADVERTENCIA: No monte una guía curvada en ninguna motosierra Efco. El riesgo de rebote aumenta con una guía curvada al incrementarse el área de contacto de rebote.

Combinación recomendada de cadena y barra

Modelo	Longitud Barra	Oregon N° de pieza barra	Paso Cadena	Drive Link Cantidad Eslabón Unión	Oregon N° de pieza Cadena	CKA sin Freno de Cadena
MT 5200	16"	160PXBK095 160SLBK095	.325" x .050"	66	20 BPX 66	MAX 45°
MT 5200	16"	168PXBK095 168SLBK095	.325" x .058"	66	21 BPX 66	
MT 5200	18"	180PXBK095 180SLBK095	.325" x .050"	72	20 BPX 72	
MT 5200	18"	188PXBK095 188SLBK095	.325" x .058"	72	21 BPX 72 33 SL 72	
MT 5200	20"	200PXGK095 200SLGK095	.325" x .050"	78	20 BPX 78	
MT 5200	20"	208PXGK095 208SLGK095	.325" x .058"	78	21 BPX 78 33 SL 78	



ADVERTENCIA: Los ángulos derivados del cálculo de la parte 5.11 de ANSI B 175.1 – 2000 pueden no tener ninguna relación con el ángulo de giro de la barra de rebote real que se puede producir en situaciones de corte reales.

Además, las características diseñadas para reducir lesiones por rebote pueden perder algo de su efectividad si pierden su estado original, especialmente si no se han mantenido correctamente.

La conformidad con la parte 5.11 de ANSI B 175.1 – 2000 no significa automáticamente que en un rebote real la barra y la cadena vayan a girar un máximo de 45°.

Precauciones para reducir el riesgo de vibraciones

- La motosierra dispone de un sistema antivibración (AV); no lo modifique nunca.
- Utilice guantes y mantenga las manos calientes.
- Mantenga la cadena afilada y la sierra, incluido el sistema AV, bien mantenida. Si la cadena ha perdido brillo, el tiempo de corte aumentará, y las vibraciones que reciben las manos aumentarán al ejercer presión en ella para que entre en la madera.
- Agarre firmemente la unidad en todo momento, pero no apriete las empuñaduras con una presión constante y excesiva. Haga pausas con frecuencia. Todas las precauciones indicadas anteriormente no garantizan que no vaya a sufrir alguna dolencia por vibraciones en las manos o el síndrome de canal carpiano. Por tanto, los usuarios que utilicen la unidad de forma continua y regular deberán supervisar atentamente el estado de sus manos y dedos. Si aparece alguno de los síntomas indicados anteriormente, acuda inmediatamente a un médico.

Precauciones de mantenimiento



ADVERTENCIA: No utilice nunca una motosierra que esté dañada, ajustada incorrectamente o que no esté montada por completo y de forma segura.

- Asegúrese de que la cadena deja de moverse al soltar el activador de control de la aceleración. Si la cadena se mueve a velocidad de ralentí, es posible que sea necesario ajustar el carburador; consulte la sección de funcionamiento y ajuste del carburador. Si la cadena sigue moviéndose a velocidad de ralentí tras realizar el ajuste, póngase en contacto con un concesionario de servicio para que efectúe el ajuste y deje de utilizar la unidad hasta que se haya realizado la reparación correspondiente.



ADVERTENCIA: Todos los trabajos de revisión de la motosierra, que no sean los elementos especificados en las instrucciones de mantenimiento del manual del operador, los deberá realizar personal de servicio competente. (Si se utilizan herramientas inadecuadas para extraer el volante o el embrague, o si se utiliza una herramienta incorrecta para sostener el volante a fin de extraer el embrague, se podrían producir daños estructurales en el volante, lo cual podría provocar posteriormente que dicho volante reviente, dando como resultado lesiones graves.)

- No modifique nunca la motosierra de ninguna manera.
- Mantenga las empuñaduras secas, limpias y sin mezclas de combustible o aceite.



ADVERTENCIA: Utilice solamente los accesorios y las piezas de repuesto recomendadas.

- No toque nunca la cadena ni intente revisar la motosierra con el motor en marcha.
- No utilice nunca combustible para operaciones de limpieza.
- Guarde la motosierra en un lugar seco, sin tocar el suelo con la protección de la cadena puesta y los depósitos vacíos.
- Cuando finalice la vida útil de la motosierra, deséchela adecuadamente sin dañar el medioambiente; con esta finalidad, llévela al concesionario de su localidad para que la desechen de forma correcta.
- Sustituya inmediatamente los dispositivos de seguridad que estén rotos o dañados.



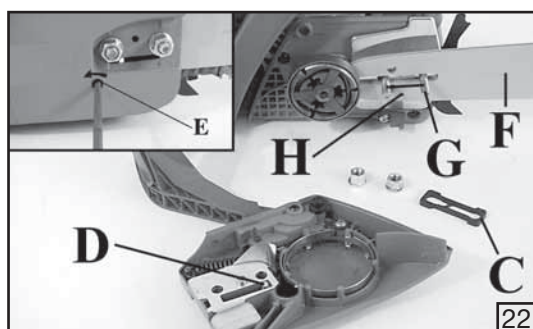
ADVERTENCIA: El amortiguador y otras piezas del motor (por ejemplo, las aletas del cilindro y la bujía) se calientan durante el funcionamiento y permanecen calientes algún tiempo después de parar el motor. Para reducir el riesgo de quemaduras, no toque el amortiguador ni otras piezas mientras estén calientes.



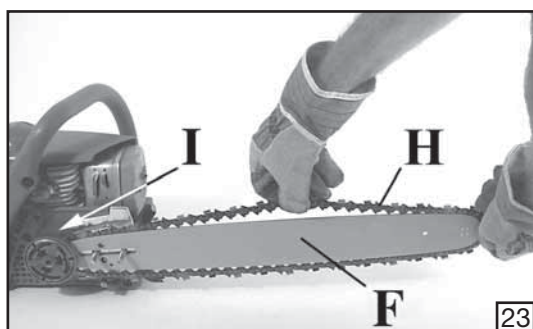
20



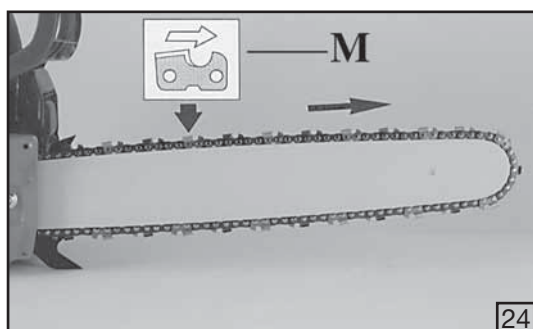
21



22



23



24

Montaje de la barra y la cadena



ADVERTENCIA: Compruebe la tensión de la cadena con frecuencia cuando utilice la motosierra. No toque nunca ni ajuste la cadena con el motor en marcha. Puesto que la cadena está muy afilada, utilice siempre guantes protectores cuando realice trabajos de mantenimiento en ella.

1. Compruebe que el freno de la cadena no está puesto tirando de la palanca del freno de la cadena/protector de manos hacia la empuñadura delantera como se muestra en la Fig. 20. Para obtener más información, consulte las secciones de seguridad y funcionamiento del freno de la cadena.
2. Extraiga las dos (2) tuercas de la barra (A, Fig. 21) y la cubierta del embrague (B).
3. Quite y deseche el separador de embalaje de plástico (C, Fig. 22) instalado en los espárragos en el lugar de la barra con fines de envío.
4. Ajuste el pasador de tensión de la cadena (D) por completo hacia la banda del freno girando el tornillo de tensión de la cadena (E) en el sentido contrario a las agujas del reloj, como se muestra en el recuadro Fig. 22.
5. La barra guía (F) contiene una ranura que se encaja sobre los espárragos de la barra (G). La barra guía contiene también dos orificios para pasador de tensión de la cadena (H) y dos orificios de lubricación, uno en cada lado. La barra es reversible y cualquiera de los orificios para pasador de tensión se puede utilizar con el pasador de tensión de la cadena.
6. Coloque la barra guía (F) en los espárragos (G) como se muestra en la Fig. 22.
7. Introduzca la punta de la barra guía (F) por el bucle de la cadena (H) como se muestra en la Fig. 23. Los cortadores de la parte superior de la barra guía deben quedar orientados hacia la parte delantera de la barra, en el sentido de giro de la cadena. Consulte el recuadro (M) de la Fig. 24.
8. Encaje la cadena (H) sobre la rueda dentada (I) y dentro de la ranura de la barra.



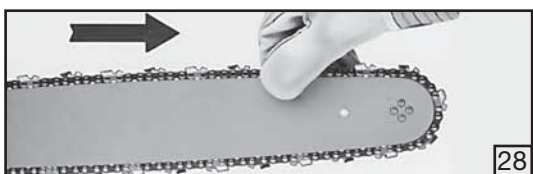
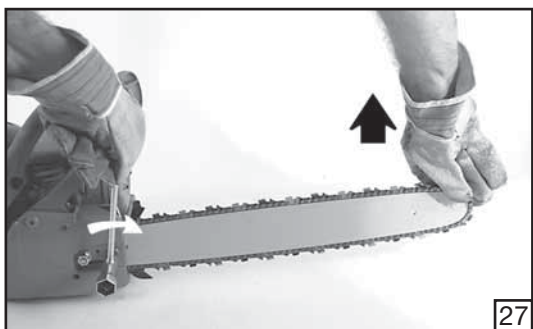
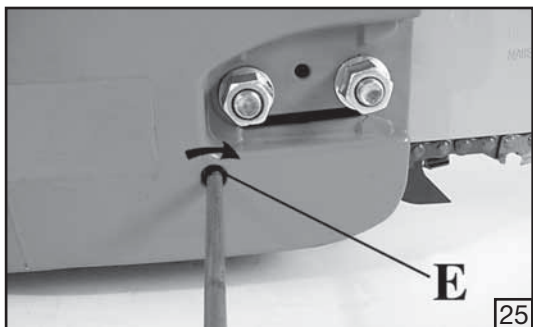
PRECAUCIÓN: Se pueden producir daños importantes en la rueda dentada, tambor del embrague, barra guía y cadena si la cadena no se asienta correctamente en la rueda dentada.

9. Vuelva a poner la cubierta del embrague (B). Gire el tornillo de tensión de la cadena (E) en el sentido de las agujas del reloj (como se muestra en la Fig. 25, página 86) hasta que el pasador de tensión de la cadena (D) encaje en su orificio (H). Instale las dos tuercas de la barra (A). Apriete las tuercas de forma manual únicamente. La barra se debe mover libremente para ajustar la tensión.



PRECAUCIÓN: Si no se asegura de que el pasador de tensión de la cadena está en su orificio, se producirán daños importantes en la motosierra al volver a montar la cubierta del embrague.

NOTA: Si la cubierta del embrague no se desliza libremente, compruebe que el freno de la cadena no está accionado. Para desacoplar el freno de la cadena con la cubierta del embrague extraída, agarre la cubierta del embrague como se muestra en la Fig. 20 y tire hacia atrás de la palanca del freno de la cadena/protector de manos.



10. Tense la cadena girando el tornillo de tensión **(E)** en el sentido de las agujas del reloj, asegurándose de que la cadena se asienta en la ranura de la barra mientras se tensa.
11. Levante la punta de la barra guía para comprobar si hay combadura (consulte la Fig. 26). Suelte la punta de la barra guía y gire el tornillo de tensión de la cadena **(E)** 1/2 vuelta en el sentido de las agujas del reloj. Repita este proceso hasta que la combadura desaparezca.
12. Mantenga levantada la punta de la barra guía y apriete las tuercas de la barra firmemente como se muestra en la Fig. 27.
13. La cadena estará correctamente tensada cuando no esté floja en el lado inferior de la barra guía; la cadena estará ajustada, pero se podrá girar de forma manual sin agarrotarse (consulte la Fig. 28). Asegúrese de que el freno de la cadena no está puesto.

NOTA: La cadena no girará si está demasiado tensa. Afloje ligeramente las tuercas de la barra y gire el tornillo de ajuste 1/4 de vuelta en el sentido contrario a las agujas del reloj. Levante la punta de la barra guía y vuelva a apretar las tuercas de la barra.



ADVERTENCIA: Compruebe la tensión de la cadena con frecuencia cuando utilice la motosierra. No toque nunca ni ajuste la cadena con el motor en marcha. Puesto que la cadena está muy afilada, utilice siempre guantes protectores cuando realice trabajos de mantenimiento en ella.



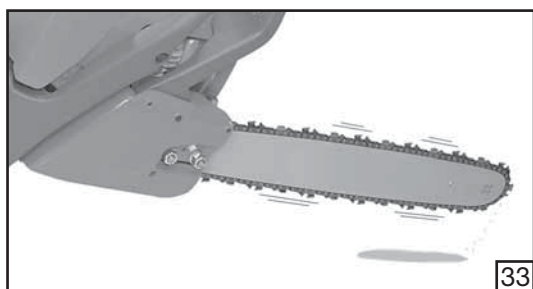
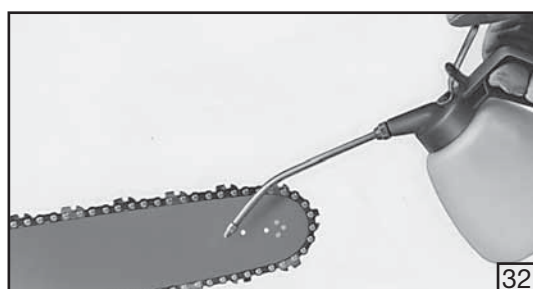
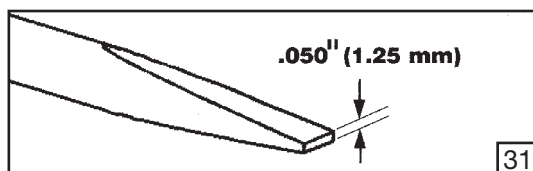
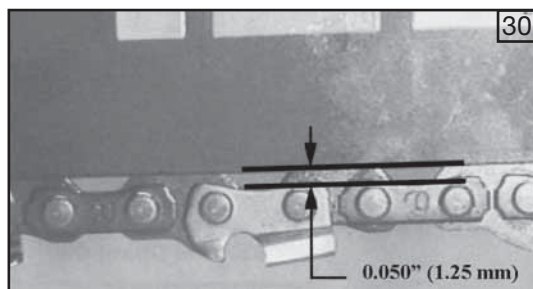
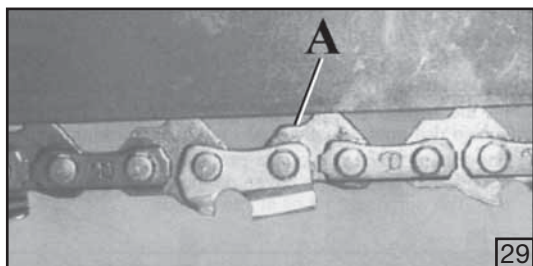
ADVERTENCIA: La cadena de repuesto debe contar con las mismas características de rebote o de menor rebote que la suministrada originalmente.



ADVERTENCIA: Si la motosierra se utiliza estando la cadena floja, ésta podría saltar de la barra guía y podrían producirse lesiones graves como resultado.



ADVERTENCIA: No ponga nunca la motosierra en marcha con la cubierta de la rueda dentada suelta.



Tensión de la cadena



ADVERTENCIA: No toque nunca ni ajuste la cadena con el motor en marcha. Puesto que la cadena está muy afilada, utilice siempre guantes protectores cuando realice trabajos de mantenimiento en ella.

1. **Pare el motor antes de ajustar la tensión de la cadena.** Afloje ligeramente las tuercas de la barra guía, y gire el tornillo de tensión de la cadena **en el sentido de las agujas del reloj** para tensar la cadena. Consulte la sección correspondiente al montaje de la barra y la cadena. Vuelva a apretar las tuercas de la barra guía. La cadena en frío estará correctamente tensada cuando no esté floja en el lado inferior de la barra guía; la cadena estará ajustada, pero se podrá girar de forma manual sin agarrotarse. Con respecto a la cadena en caliente, consulte el elemento 3.
2. La cadena se deberá tensar de nuevo cuando las partes planas **(A)** de las lengüetas del eslabón de transmisión cuelguen más allá de la ranura de la barra. Consulte la Fig. 29.
3. Durante el funcionamiento normal de la motosierra, la temperatura de la cadena aumentará. Las lengüetas del eslabón de transmisión de una cadena en caliente correctamente tensada colgarán aproximadamente .050" (1.25 mm) más allá de la ranura de la barra. Consulte la Fig. 30. Como ayuda para determinar si la tensión de la cadena en caliente es correcta, se puede utilizar la punta de la llave de combinación (Fig. 31) como guía.



PRECAUCIÓN: Si la cadena se tensa en caliente, es posible que esté demasiado tensa al enfriarse. Compruebe la "tensión en frío" antes del siguiente uso.



PRECAUCIÓN: Si la cadena es nueva, se deberá volver a tensar con mayor frecuencia que una que se haya utilizado durante algún tiempo.

Rodaje de la cadena

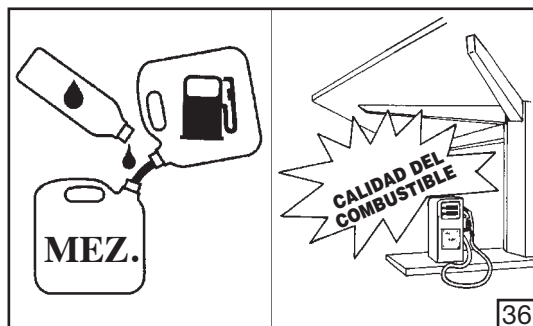
Las cadenas nuevas se estiran, por lo que se deben tensar con frecuencia. Levante la cadena para sacarla de la ranura de la barra y lubrique dicha ranura con aceite adicional (consulte la Fig. 32). Coloque la motosierra sobre un trozo de cartón o madera contrachapada. Arranque la motosierra (consulte la sección de funcionamiento correspondiente al arranque del motor) y déjela en funcionamiento a una velocidad moderada durante un (1) minuto aproximadamente. **Pare el motor.** Compruebe que la bomba de aceite funciona correctamente. Si la bomba de aceite funciona correctamente, en el cartón debe haber un exceso de aceite procedente del giro de la cadena (consulte la Fig. 33). Ajuste la tensión de la cadena (consulte la sección de funcionamiento correspondiente a la tensión de la cadena). Arranque la motosierra de nuevo y haga unos cuantos cortes en un tronco para calentar la cadena. Pare el motor y ajuste de nuevo la cadena. Repita este proceso hasta que la cadena conserve el ajuste adecuado de tensión en caliente como se muestra en la Fig. 30 de la sección correspondiente a la tensión de la cadena. **No toque nunca el suelo con la cadena.**



34



35



36



37

Púa de tronzado



ADVERTENCIA: La motosierra está equipada con una púa de tronzado (A, Fig.34). La púa de tronzado está muy afilada y puede producir lesiones. Tenga mucho cuidado cuando trabaje cerca de la púa de tronzado.



ADVERTENCIA: Si extrae la púa de tronzado, la motosierra dejará de cumplir la norma SAE J335 y otras. Consulte la sección de seguridad correspondiente a los requisitos estatales y locales.

Alimentación de combustible (¡No fume!) (Fig. 37)

Este producto se alimenta mediante un motor de 2 ciclos y requiere que se mezcle previamente gasolina y aceite de 2 ciclos. Mezcle previamente gasolina sin plomo y aceite de motor de 2 ciclos en un contenedor limpio homologado para gasolina (Fig.35).

COMBUSTIBLE RECOMENDADO: ESTE MOTOR CUENTA CON LA CERTIFICACIÓN PARA FUNCIONAR CON GASOLINA SIN PLOMO DESTINADA A SU USO EN AUTOMOCIÓN CON UN ÍNDICE DE OCTANO DE 89 ((R + M) / 2) O MÁS (Fig. 36).

Mezcle aceite de motor de 2 ciclos con gasolina según las instrucciones indicadas en el envase. Recomendamos encarecidamente el uso de aceite de motor Efco de dos ciclos al 2% (1:50) formulado especialmente para todos los motores Efco de dos tiempos refrigerados por aire.

Las proporciones correctas de combustible y aceite de la tabla siguiente son válidas para cuando se usa un aceite de motor Efco de dos ciclos o un aceite de calidad equivalente (con especificación JASO FD o con especificación ISO L-EGD).

Si las especificaciones del aceite **NO** son equivalentes o son desconocidas, utilice una mezcla de aceite y combustible al 4% (1:25).



PRECAUCIÓN: NO UTILICE ACEITE DE AUTOMOCIÓN NI ACEITE FUERA BORDA DE 2 CICLOS.



PRECAUCIÓN:

- Compre el combustible según la cantidad que vaya a consumir; no compre más del que vaya a utilizar en uno o dos meses;
- Guarde la gasolina en un contenedor hermético en un lugar fresco y seco.



PRECAUCIÓN - Para la mezcla, no utilice nunca un carburante con más del 10% de etanol. Se puede emplear gasohol (mezcla de gasolina y etanol) con contenido de etanol de hasta 10% o combustible E10.

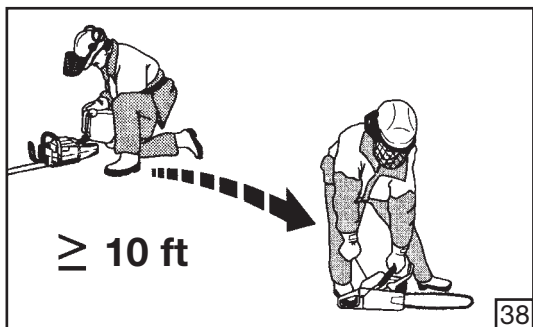
Al utilizar gasolina oxigenada, se deberá aplicar una buena práctica de tratamiento del combustible. La gasolina oxigenada con alcohol absorbe agua fácilmente cuando está presente; el agua se puede condensar a partir del aire húmedo o ser un contaminante en el sistema de combustible, incluido el depósito. El uso de gasolina oxigenada puede provocar la aparición de bolsas de vapor con mayor facilidad.

NOTA: Prepare solo la mezcla necesaria para el uso; no la deje en el depósito o en el bidón durante mucho tiempo. Para conservar la mezcla durante 30 días, se aconseja añadir estabilizador de combustible **Emak ADDITIX 2000** cód. 001000972.

Gasolina alquilada



PRECAUCIÓN - La gasolina de alquiler no tiene la misma densidad que la gasolina normal. Por lo tanto, los motores puestos a punto con gasolina normal pueden precisar una regulación del tornillo H. Para esta operación, acuda a un centro de asistencia autorizado.



38



39

Mezcla de combustible

Mezcla de combustible

Aceite de motor de 2 ciclos (25:1) 4%

Essence	Huile
1 galón (US)	5.2 oz.
1 litro.	40 cc (40 ml)

Alta Calidad aceite de motor de 2 ciclos (50:1) 2%

Essence	Huile
1 galón (US)	2.6 oz.
1 litro.	20 cc (20 ml)

Llenado del depósito (Fig. 39)



ADVERTENCIA: Siga las instrucciones de seguridad correspondientes al manejo de combustible. Apague siempre el motor antes de repostar. No añada nunca combustible a una máquina cuando el motor esté en marcha o caliente. Aléjese al menos 10 pies (3 m) del lugar de recarga de combustible antes de arrancar el motor (Fig. 38). **¡NO FUME!**

1. Limpie la superficie alrededor del tapón del depósito de combustible para evitar la contaminación.
2. Afloje lentamente el tapón del depósito de combustible.
3. Vierta con cuidado la mezcla de combustible en el depósito. Evite derramamientos.
4. Antes de volver a poner el tapón del depósito, limpie e inspeccione la junta.
5. Vuelva a poner inmediatamente el tapón del depósito y apriételo con la mano. Limpie el combustible que se haya derramado.

NOTA: Es normal que un motor nuevo emita humo durante y después del primer uso.



ADVERTENCIA: Compruebe la existencia de fugas de combustible; si detecta alguna, corríjala antes de utilizar la unidad. Póngase en contacto con un concesionario de servicio si es necesario.



40

Aceite de la barra y la cadena

Sistema de lubricación de la cadena (Fig. 40)

La barra y la cadena se deben lubricar de forma continua. La lubricación la proporciona el sistema lubricador automático cuando el depósito de aceite se mantiene lleno. Si no hay aceite, la barra y la cadena se deteriorarán rápidamente. Si la cantidad de aceite es demasiado pequeña, se producirá sobrecalentamiento que será obvio por el humo que desprenderá la cadena o por la decoloración de la barra. Con temperaturas bajo cero, el aceite se espesa, por lo que será necesario diluir el aceite de la barra y la cadena con una pequeña cantidad (entre 5 y 10%) de combustible diesel o queroseno. El aceite de la barra y la cadena debe fluir libremente al sistema de lubricación para bombear suficiente aceite a fin de obtener una lubricación adecuada.



PRECAUCIÓN: No utilice nunca aceite de desecho. Utilice siempre lubricante biodegradable específico para la barra y la cadena y que no perjudique el medioambiente ni las piezas de la motosierra.

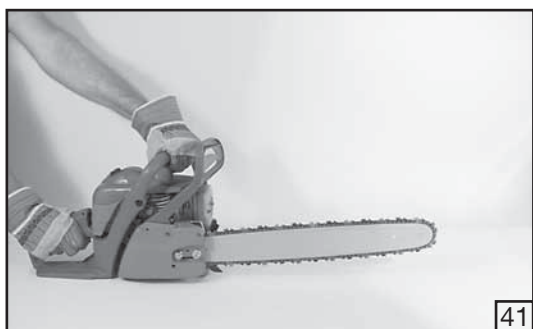


PRECAUCIÓN: No utilice aceites sucios, utilizados ni contaminados. Si lo hace, se pueden producir daños en la bomba de aceite, en la barra o en la cadena.



ADVERTENCIA: No utilice aceite de desecho. Los estudios médicos realizados han demostrado que el contacto prolongado con aceite de desecho puede provocar cáncer de piel.

1. Llene el depósito de aceite cada vez que añada combustible al motor. La motosierra debe utilizar aproximadamente un depósito de aceite por cada depósito de combustible.
2. La bomba de lubricación automática es una bomba de desplazamiento y funciona mediante engranajes accionados desde el conjunto de tambor del embrague. La bomba no lubricará a velocidades de ralentí.



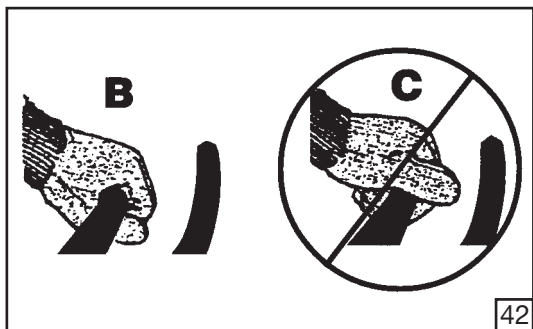
41

Preparación para cortar

Agarre correctamente las empuñaduras.

Consulte la sección de seguridad con respecto al equipo de seguridad adecuado.

1. Utilice guantes antideslizantes para obtener el máximo agarre y protección.

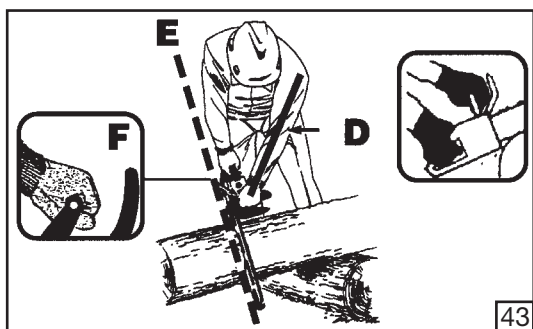


42



ADVERTENCIA: Agarre firmemente la motosierra con las dos manos. Mantenga siempre la **MANO IZQUIERDA** en la empuñadura delantera y la **MANO DERECHA** en la empuñadura trasera (acelerador) como se muestra en la Fig. 41, de forma que el cuerpo quede a la izquierda de la línea de la cadena. No cruce nunca las manos al agarrar la unidad; tampoco adopte una postura que haga que el cuerpo o el brazo queden en la línea de la cadena. Los zurdos deben seguir también estas instrucciones.

2. Mantenga la motosierra correctamente agarrada (**B**, Fig.42) cuando el motor esté en marcha. Los dedos deben rodear la empuñadura y el pulgar debe quedar debajo de ella. Esta forma de agarrar es la más firme ante rebotes u otras reacciones repentinas de la motosierra. Resultará peligroso si agarra la unidad de forma que el pulgar y los dedos queden en el mismo lado de la empuñadura (**C**), ya que un ligero rebote de la motosierra puede hacer que pierda el control.



43



ADVERTENCIA:
Postura adecuada para cortar (Fig. 43)

- El peso debe estar equilibrado sobre ambos pies y éstos deben estar sobre un terreno firme.
- Mantenga el brazo con el codo fijo en posición de "brazo recto" (**D**) para resistir cualquier fuerza de rebote.
- El cuerpo debe estar siempre a la izquierda de la línea de la cadena (**E**).
- El pulgar debe estar en la parte inferior de la empuñadura (**F**).



Procedimiento de corte básico

Practique cortando algunos troncos pequeños utilizando la siguiente técnica para familiarizarse con el uso de la motosierra antes de iniciar una operación de corte importante.

1. Adopte la postura adecuada delante de la madera con la motosierra a ralentí.
2. Ponga el motor a aceleración máxima justo antes de entrar en el corte apretando para ello el activador.
3. Comience a cortar con la motosierra contra el tronco.
4. Mantenga el motor a aceleración máxima mientras realiza el corte.
5. Deje que la cadena corte por usted; ejerza únicamente una ligera presión hacia abajo. Si fuerza el corte, se pueden producir daños en la barra, cadena o motor.
6. Suelte el activador en cuanto finalice el corte, y deje que el motor se ponga a ralentí. **Si pone la motosierra a aceleración máxima sin haber una carga de corte, se pueden producir daños o desgaste innecesarios en la cadena, barra y motor.**
7. No aplique presión en la motosierra al final del corte.

Precauciones sobre el lugar de trabajo



ADVERTENCIA: Corte solamente madera o materiales de madera. No corte metal, plástico, mampostería ni materiales de construcción que no sean de madera.

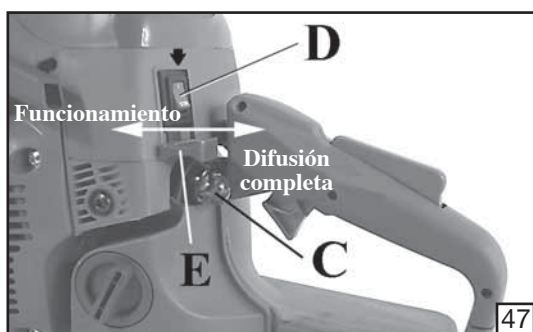
- No permita nunca que un niño utilice la motosierra. Permita únicamente utilizar esta motosierra a aquellas personas que hayan leído este manual del operador o que hayan recibido las instrucciones adecuadas para el uso seguro y correcto de esta motosierra.
- Haga que los ayudantes, transeúntes, niños y animales se mantengan a una distancia segura del lugar donde realiza el corte (Fig. 44). Durante operaciones de tala, la distancia segura debe ser de al menos dos veces la altura de los árboles más altos del lugar de tala. Durante operaciones de tronzado, mantenga una distancia mínima de 35 pies (10 m) entre los trabajadores.
- Corte siempre con los dos pies sobre un terreno firme para no perder el equilibrio.
- No corte con la motosierra por encima de la altura del pecho, puesto que si está en una posición más alta resultará difícil controlarla frente a fuerzas de rebote.
- No tale árboles próximos a cables eléctricos o edificios. Deje esta operación a los profesionales.
- Corte solamente cuando la visibilidad y la iluminación sean las adecuadas para ver con claridad.
- **No corte subido a una escalera, ya que es muy peligroso.** Deje esta operación a los profesionales.
- Pare la motosierra si la cadena golpea algún objeto extraño. Inspeccione la motosierra y repare las piezas según sea necesario.
- Mantenga la cadena limpia y sin arena. Incluso una pequeña cantidad de suciedad hará que la cadena pierda brillo rápidamente y aumentará la posibilidad de que se produzcan rebotes.
- Pare el motor antes de soltar la motosierra.
- Esté especialmente atento cuando utilice protección para los oídos, puesto que tal equipo puede limitar su capacidad para oír sonidos que indiquen peligro (gritos, señales, advertencias, etc.).
- Tenga mucho cuidado cuando trabaje en pendientes o en terrenos desnivelados.
- Durante la utilización de la motosierra tiene que ser disponible un extintor de incendios.



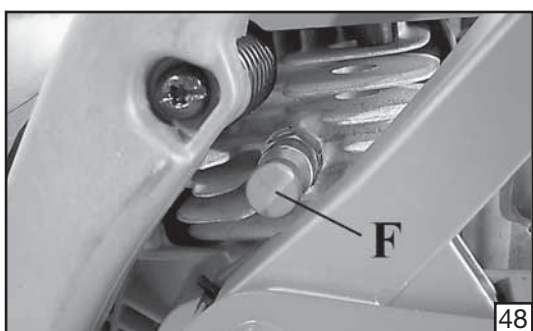
45



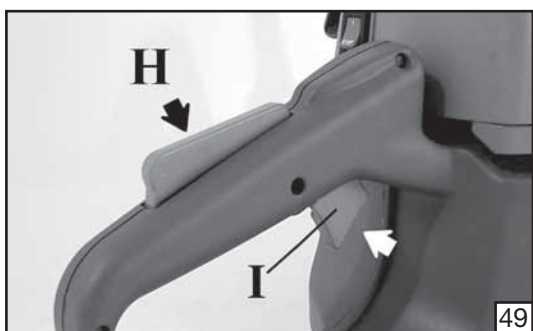
46



47



48



49

Arranque del motor



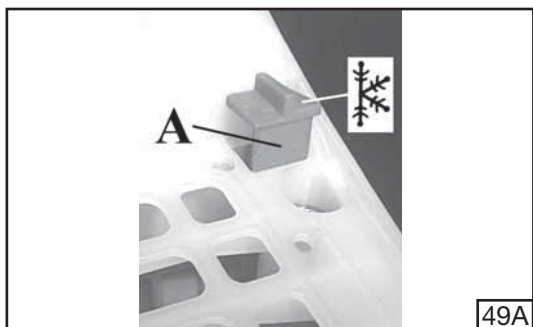
ADVERTENCIA: Mantenga el cuerpo a la izquierda de la línea de la cadena. No separe nunca la sierra ni la cadena; tampoco se debe inclinar más allá de la línea de la cadena. El freno de la cadena debe estar accionado al arrancar la motosierra.

- Sitúe la motosierra sobre un terreno nivelado y compruebe que no hay objetos ni obstrucciones cerca que puedan entrar en contacto con la barra y la cadena. Agarre firmemente la empuñadura delantera con la mano izquierda y ponga el pie derecho en la base de la empuñadura trasera; consulte la Fig. 45.
- Ponga el freno de la cadena empujando la palanca del freno de la cadena/protector de manos hacia adelante (hacia la barra), hasta la posición de freno como se muestra en la Fig. 46. Para obtener más información, consulte las secciones de seguridad y funcionamiento del freno de la cadena.
- Presione lentamente la pera de purga entre 6 y 8 veces (**C**, Fig. 47).
- Ponga el interruptor de masa (**D**) en la posición de arranque "I".
- Tire de la palanca cebador (**E**) hasta la posición totalmente extendida (1/ difusión completa). El semiacelerador se ajusta automáticamente cuando la palanca de estrangulación se pone en la posición de difusión completa.
- Presione la válvula de descarga de compresión (**F**, Fig. 48). Tire de la cuerda del motor de arranque hasta que se oiga el primer encendido del motor (no más de cinco (5) tirones). **Es posible que una unidad nueva requiera más tirones.**
NOTA: La válvula de descarga de compresión se reajusta automáticamente después del primer encendido.
- Empuje por completo la palanca cebador (**E**) hasta la posición de funcionamiento del motor, como se muestra en la Fig. 47.
- Presione la válvula de descarga de compresión (**F**) y tire de la cuerda del motor de arranque hasta que el motor arranque.
- Inmediatamente después de arrancar el motor, presione el bloqueo del activador (**H**, Fig. 49), y apriete y suelte rápidamente el activador (**I**). De esta forma, el activador se libera de la posición de semiacelerador y permite que el motor se ponga a ralentí. Ajuste la palanca del freno de la cadena/protector de manos en la posición de funcionamiento como se muestra en la Fig. 46. Para obtener más información, consulte las secciones de seguridad y funcionamiento del freno de la cadena.
- Cuando tire de la cuerda del motor de arranque, no utilice la longitud total de la cuerda, ya que se puede romper. No deje que la cuerda del motor de arranque se enrolle rápidamente. Agarre la empuñadura y deje que la cuerda vuelva a enrollarse lentamente.

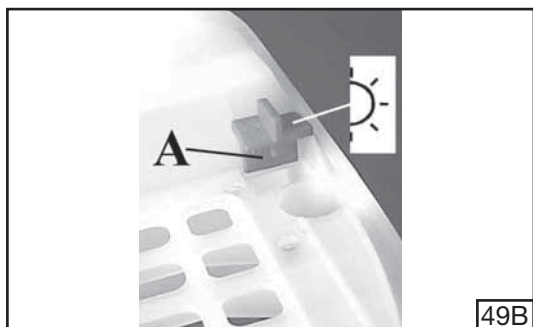


ADVERTENCIA: No corte material con la palanca de ralentí rápido/estrangulación en la posición de la difusión completa (FULL CHOKE). No ponga la motosierra en marcha con el bloqueo del acelerador de arranque accionado. Al cortar con el bloqueo del acelerador de arranque accionado, el operador no puede controlar correctamente la velocidad de la cadena o la sierra.

NOTA - ARRANQUE DEL MOTOR EN CALIENTE: Siga las instrucciones de arranque indicadas anteriormente, pero no utilice la posición de difusión completa para volver a arrancar la unidad. A fin de fijar el ralentí rápido para arrancar el motor en caliente, saque por completo el estrangulador y empújelo para ajustarlo en la posición de funcionamiento original.



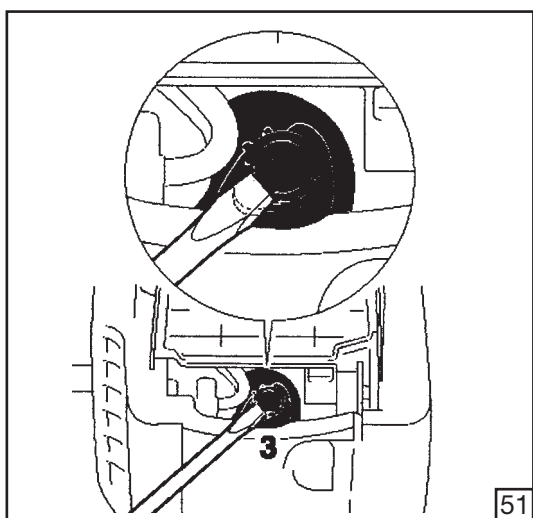
49A



49B



50



51

ADVERTENCIA: Las condiciones meteorológicas y la altitud pueden afectar a la carburación. No permita que nadie se acerque a la motosierra mientras ajusta el carburador.

ADVERTENCIA: No intente nunca arrancar la motosierra cuando la barra guía esté en un corte.

ATENCIÓN – No arrancar la motosierra si la barra, la cadena y el cárter de embrague (freno de cadena) no están montados; el embrague podría aflojarse y provocar lesiones.

Sistema antihielo

Con temperaturas inferiores a 0°C, situar el cursor (A, Fig. 49A) en la posición invernal. La flecha estampada en el cursor debe indicar el símbolo de la posición “Invierno” (Fig. 49A). De este modo, además del aire frío se aspira también aire caliente procedente del cilindro, que evita la formación de hielo dentro del carburador.

Con temperaturas superiores a +10°C, situar nuevamente el cursor (A, Fig. 49B) en la posición de verano. De lo contrario, el motor podría recalentarse y no funcionar correctamente.

Rodaje del motor

El motor alcanza su potencia máxima tras un período de actividad de 5 a 8 horas. Durante este período de rodaje, no ponga la máquina a aceleración máxima si no está cortando, a fin de evitar tensiones de funcionamiento excesivas.

PRECAUCIÓN: Durante el período de rodaje, no varíe la carburación para obtener un incremento de potencia; el motor puede dañarse.

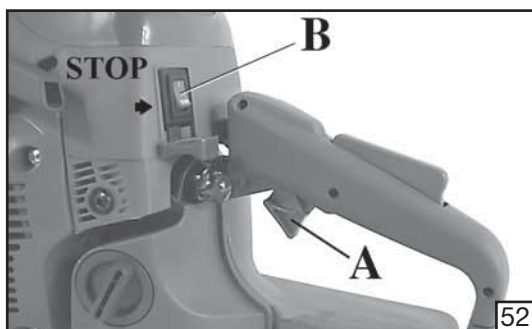
Arranque difícil (o arranque de un motor ahogado)

El motor puede estar ahogado con demasiado combustible si no arranca tras 10 tirones. El exceso de combustible de los motores ahogados se puede eliminar siguiendo el procedimiento de arranque del motor en caliente indicado anteriormente. Asegúrese de que el interruptor ON/STOP se encuentra en la posición ON. Para el arranque, es posible que sea necesario tirar varias veces de la empuñadura de la cuerda del motor de arranque en función del grado de ahogamiento de la unidad. Si el motor no arranca, consulte la TABLA DE SOLUCIÓN DE PROBLEMAS (página 107).

El motor está ahogado

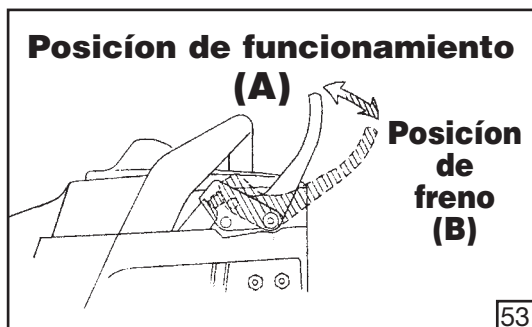
Si no ajusta la palanca cebador en la posición de arranque en caliente, con la suficiente rapidez una vez que el motor comienza a encenderse, la cámara de combustión se ahoga.

- Ajuste el interruptor de masa en la posición **STOP**.
- Abra el cierre de giro (1, Fig. 50) en el sentido de la flecha.
- Extraiga la cubierta del filtro (2).
- Acople una herramienta adecuada en la funda de la bujía (3, Fig. 51).
- Haga palanca para sacar la funda de la bujía.
- Desenrosque la bujía y séquela.
- Abra el acelerador por completo.
- Tire de la cuerda del motor de arranque varias veces para desahogar la cámara de combustión.
- Vuelva a poner la bujía y conecte su funda; presiónela **firmemente** y monte de nuevo las demás piezas.
- Ajuste el interruptor de masa en I (posición del acelerador de arranque).
- Ajuste la palanca cebador en la posición de arranque en caliente aunque el motor esté frío.
- Ahora, arranque el motor.



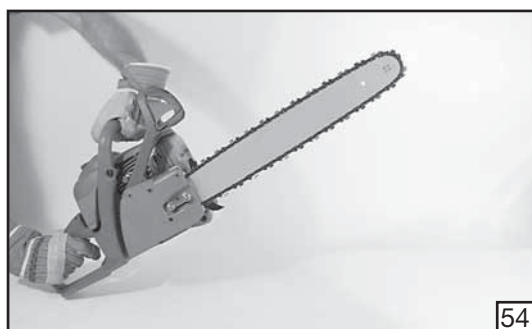
Parada del motor

Suelte el activador (A) y deje que el motor vuelva al estado de ralentí. Para parar el motor, ponga el interruptor de masa (B) en la posición "STOP". No deje la motosierra en el suelo si la cadena está aún en movimiento. Como medida de seguridad adicional, ponga el freno de la cadena cuando no utilice la motosierra. Si la posición "STOP" del interruptor no funciona, tire de la palanca cebador hasta la posición totalmente extendida (M/difusión completa) (consulte la Fig. 52) para parar el motor.



PRECAUCIÓN: La cadena se contrae según se enfría. Si no se afloja, podría dañar el cigüeñal y los cojinetes.

Comprobación previa al funcionamiento



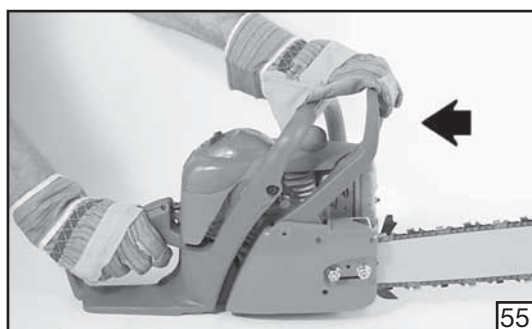
ADVERTENCIA: LA CADENA NO DEBE GIRAR NUNCA AL RALENTÍ. Gire el tornillo de velocidad de ralentí "T" en el sentido contrario a las agujas del reloj para reducir las RPM de ralentí y pare la cadena. O bien, póngase en contacto con el concesionario de servicio para su ajuste y no utilice la unidad hasta que se haya realizado la reparación. Se pueden producir daños personales graves si la cadena gira al ralentí.

Funcionamiento del freno de la cadena

Consulte la sección de seguridad correspondiente al freno de la cadena antes del uso.

La posición de funcionamiento (A, Fig. 53) y la posición de freno (B) del freno de la cadena se ilustran a continuación.

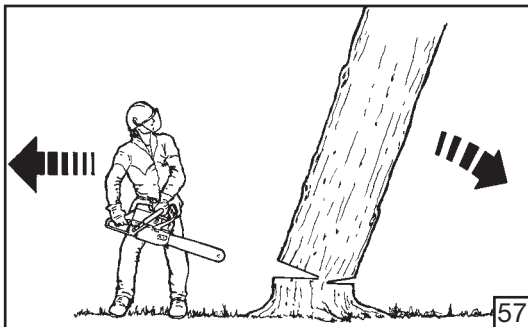
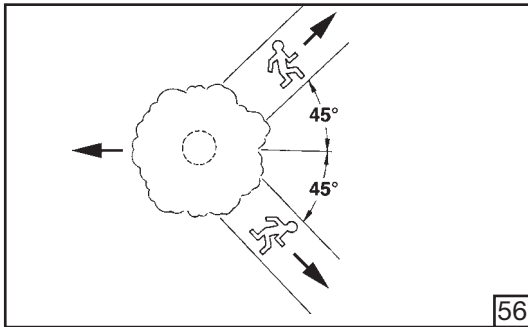
El estado de funcionamiento del freno de la cadena se debe comprobar antes de cada uso de la unidad como se indica a continuación:



1. Arranque el motor y agarre firmemente las empuñaduras delantera y trasera con ambas manos.
2. Tire del activador para poner la motosierra a velocidad máxima. Utilizando el dorso de la mano izquierda, accione el freno de la cadena empujando la palanca del freno de la cadena/protector de manos hacia la barra mientras la cadena gira rápidamente (consulte la Fig. 54).
3. El freno se debe accionar y parar la cadena inmediatamente. En caso contrario, lleve la motosierra a un concesionario de servicio para repararla y no la utilice hasta que se haya realizado la reparación.
4. Vuelva a poner el freno de la cadena en la posición de funcionamiento agarrando el lateral (lado derecho desde la posición del operador) de la palanca del freno de la cadena/protector de manos, y tire hacia la empuñadura delantera hasta que oiga un "clic". Consulte la Fig. 55.

ADVERTENCIA: Si el freno no para la cadena inmediatamente, lleve la motosierra a un concesionario de servicio para su reparación antes de utilizarla.

ADVERTENCIA: Si el freno no ha recibido el mantenimiento correcto, es posible que se incremente el tiempo necesario para parar la cadena tras activarse, o puede no activarse en absoluto.



Tala de árboles

Condiciones inusuales peligrosas en la tala de árboles

ADVERTENCIA: No tale árboles si hay vientos o precipitaciones intensas.

ADVERTENCIA: No corte nunca si la visibilidad no es buena, si las temperaturas son muy altas o bajas ni con temperaturas bajo cero.

ADVERTENCIA: No corte árboles que tengan troncos demasiado finos o huecos, ramas podridas o corteza suelta. Los árboles con troncos demasiado finos o huecos no se pueden cortar adecuadamente por el lado opuesto al de caída. Arrastre este tipo de árboles con un equipo pesado para derribarlos.

ADVERTENCIA: No corte árboles cerca de cables eléctricos o edificios. Si el árbol entra en contacto con alguna línea eléctrica, informe inmediatamente a la empresa de electricidad.

ADVERTENCIA: Compruebe el árbol para ver si tiene ramas dañadas o muertas que puedan caer y golpearle mientras realiza la tala.

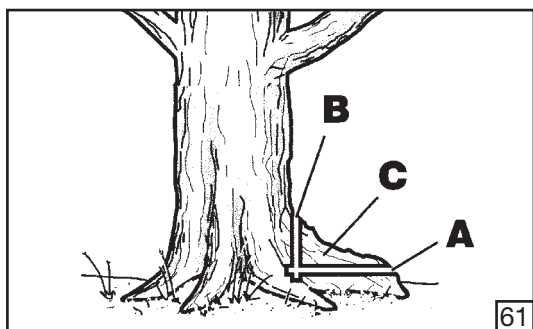
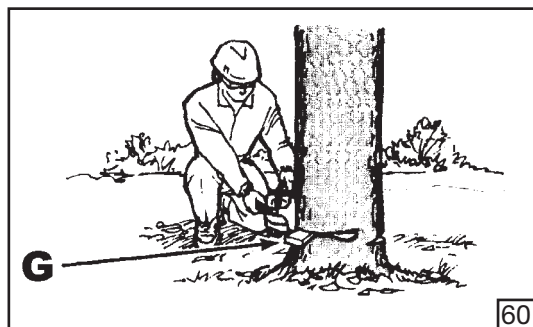
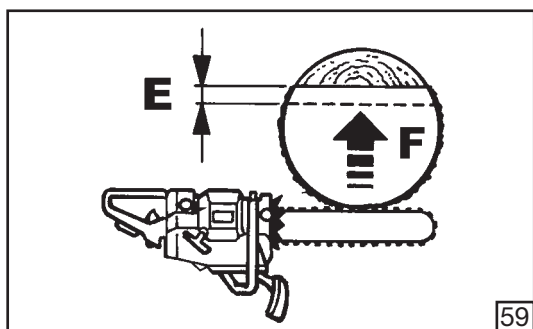
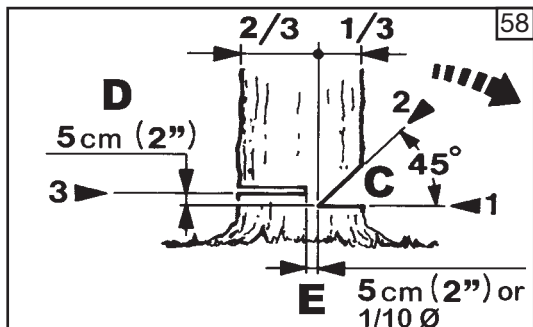
ADVERTENCIA: Eche un vistazo periódicamente a la parte superior del árbol mientras lo corta para asegurarse de que va a caer en la dirección deseada.

ADVERTENCIA: Si el árbol comienza a caer en la dirección incorrecta, o si la motosierra queda atrapada o se bloquea durante la caída, **DEJE LA MOTOSIERRA Y SÁLVESE.**

- Planifique previamente con cuidado la operación de corte.
- Despeje el área de trabajo. El área alrededor del árbol debe estar despejada para que el terreno sea seguro.
- El operador de la motosierra debe permanecer en el lado de subida del terreno, puesto que es probable que el árbol ruede o se deslice cuesta abajo tras talarlo.
- Estudie las condiciones naturales que puedan provocar que el árbol caiga en una determinada dirección.

Compruebe la existencia de descomposición y putrefacción. Si el tronco está podrido, puede partirse y caer hacia el operador. Compruebe que hay suficiente espacio para que el árbol caiga. Mantenga una longitud de 2 1/2 árboles de distancia con respecto a la persona más cercana o a otros objetos. El ruido del motor puede ahogar una llamada de advertencia. Elimine suciedad, piedras, cortezas sueltas, clavos, grapas y cables del árbol en el que vaya a cortar.

1. Fije una ruta de escape (o rutas por si la ruta fijada queda bloqueada). Despeje el área inmediata alrededor del árbol, y compruebe que no hay obstáculos en la ruta de retirada planificada. Despeje la ruta de retirada segura (Fig. 56) 45° desde la línea planificada de caída (Fig. 57).
2. Tenga en cuenta la fuerza y dirección del viento, la inclinación y equilibrio del árbol, y la ubicación de las ramas grandes. Estos puntos influyen en la dirección de caída del árbol. No intente talar un árbol a lo largo de una línea distinta a su línea natural de caída.

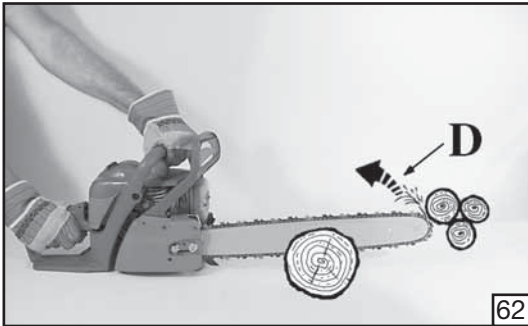


3. Corte una muesca (**C, Fig. 58**) de aproximadamente 1/3 del diámetro del tronco en el lateral del árbol. Haga los cortes de la muesca de forma que se crucen en ángulo recto con la línea de caída. Esta muesca se debe limpiar para obtener una línea recta. Para mantener el peso de la madera fuera de la motosierra, haga siempre el corte inferior de la muesca antes que el corte superior.
4. El corte por el lado opuesto al de caída siempre se hace nivelado y horizontal, y a un mínimo de 2 pulgadas (5 cm) sobre el corte horizontal de la muesca (**D**).
5. No corte nunca hasta la muesca. Deje siempre una banda de madera entre la muesca y el corte por el lado opuesto al de caída (aproximadamente 2 pulgadas (5 cm) o 1/10 el diámetro del árbol). Esto se denomina "articulación" (**E**) o "madera con articulación". Controla la caída del árbol y evita que se deslice, gire o caiga del tocón hacia atrás.
6. En árboles de diámetro grande, deje de cortar (**F, Fig. 59**) antes de que el corte sea lo suficientemente profundo como para que el árbol caiga o se recline en el tocón. A continuación, introduzca cuñas blandas de plástico o de madera (**G, Fig. 60**) en el corte para que no toquen la cadena. Las cuñas se pueden introducir poco a poco como ayuda para que el árbol suba.
7. Cuando el árbol comience a caer, pare el motor y deje la motosierra en el suelo inmediatamente. Diríjase a la ruta de retirada, pero observe la acción por si algo cae en su camino.

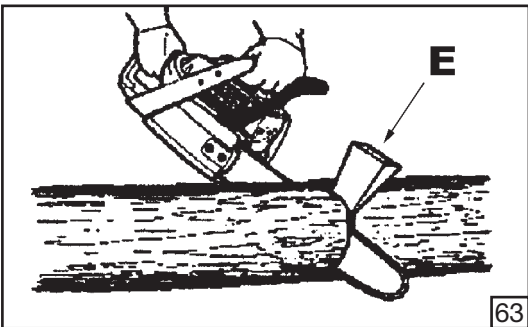
⚠ ADVERTENCIA: No corte nunca hasta la muesca cuando realice un corte por el lado opuesto al de caída. La articulación controla la caída del árbol; se trata de la sección de madera entre la muesca y el corte por el lado opuesto al de caída.

NO corte con la motosierra un árbol parcialmente caído. Tenga mucho cuidado con los árboles parcialmente caídos que no cuenten con un apoyo firme. Si el árbol no cae por completo, deje la motosierra y derríbalo con un torno de cable, un bloque y un aparejo, o con un tractor.

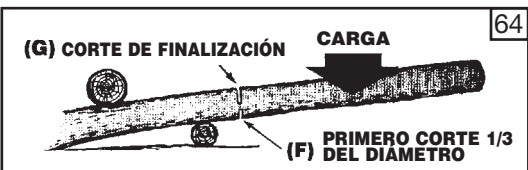
Raíces fulcreas
Una raíz fulcrea es una raíz grande que se extiende desde el tronco del árbol sobre el terreno. Las raíces fulcreas grandes se deben extraer antes de realizar la tala. Haga el corte horizontal (**A, Fig. 61**) en la raíz fulcrea primero y, a continuación, el corte vertical (**B**). Extraiga la sección suelta resultante (**C**) del área de trabajo. Utilice las instrucciones adecuadas de la sección de funcionamiento correspondiente a la tala de árboles tras extraer las raíces fulcreas grandes.



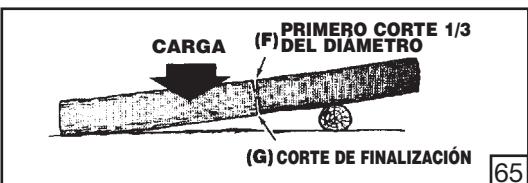
62



63



64



65

Tronzado

Tronzado es el término utilizado para referirse a cortar un árbol caído a la longitud deseada.

- Corte sólo un tronco cada vez.



ADVERTENCIA: Apoye los troncos pequeños en un caballete de aserrar o en otro tronco mientras tronza. No permita nunca que otra persona sostenga el tronco mientras corta, y no sostenga nunca el tronco con la pierna o el pie.



ADVERTENCIA: Mantenga despejada el área de corte. Compruebe que no hay ningún objeto que pueda entrar en contacto con la parte delantera de la barra guía y la cadena mientras corta, ya que esta situación puede provocar rebotes (D, Fig. 62).



ADVERTENCIA: Mientras realiza operaciones de tronzado, sitúese siempre en el lado de subida del terreno para que la sección cortada del tronco no le atropelle.



ADVERTENCIA: Si la sierra queda atrapada o bloqueada en un tronco, no la fuerce para sacarla. Puede perder el control de la motosierra, por lo que puede lesionarse o dañar la unidad. Pare la motosierra e introduzca una cuña de plástico o de madera en el corte hasta que la sierra se pueda sacar con facilidad (E, Fig. 63). Vuelva a arrancar la motosierra y, con cuidado, entre de nuevo en el corte. No intente arrancar la motosierra si está atrapada o bloqueada en un tronco.



ADVERTENCIA: No se suba al tronco que esté cortando. Es posible que un trozo salga rodando, por lo que podría perder la estabilidad y el control. No corte en una parte en que estén enredados troncos, ramas y raíces. Arrastre los troncos a un área despejada antes de cortar sacando primero los troncos que estén sueltos.

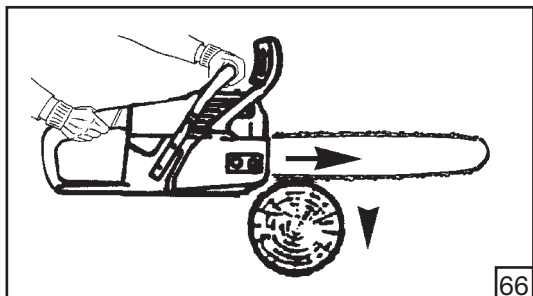
Tronzado con una cuña

Si el diámetro de la madera es suficientemente grande para introducir una cuña blanda de tronzado (E, Fig. 63) sin tocar la cadena, deberá utilizar la cuña para mantener el corte abierto a fin de evitar aprisionamientos.

Troncos bajo tensión (Fig. 64-65)

Haga un primer corte de tronzado (F) de 1/3 a través del tronco y finalice con un corte de 2/3 (G) en el lado contrario. El tronco tenderá a doblarse según se corta. La sierra puede quedar aprisionada o bloqueada en el tronco si hace el primer corte con una profundidad superior a 1/3 del diámetro del tronco.

Preste especial atención a los troncos que estén bajo tensión para evitar que la barra y la cadena se aprisionen.

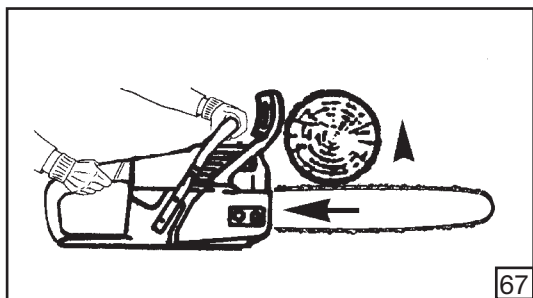


66

Tipos de corte utilizados

Tronzado superior (Fig. 66)

Comience en el lado superior del tronco con la parte inferior de la sierra contra el tronco; ejerza una ligera presión hacia abajo.

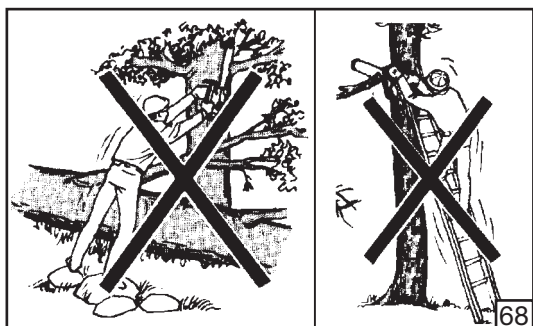


67

Tronzado inferior (Fig. 67)

Comience en el lado inferior del tronco con la parte superior de la sierra contra el tronco; ejerza una ligera presión hacia arriba. Durante la operación de tronzado inferior, la sierra tenderá a empujar hacia usted. Esté preparado para esta reacción y agarre la motosierra firmemente para mantener el control.

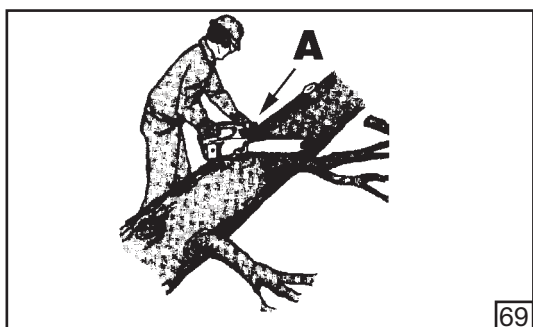
ADVERTENCIA: No ponga nunca la motosierra boca abajo para hacer cortes sesgados. La máquina no se puede controlar en esta posición. Haga siempre el primer corte en el lado de compresión del tronco. El lado de compresión es donde se concentra la presión del peso del tronco.



68

Corte de ramas y poda

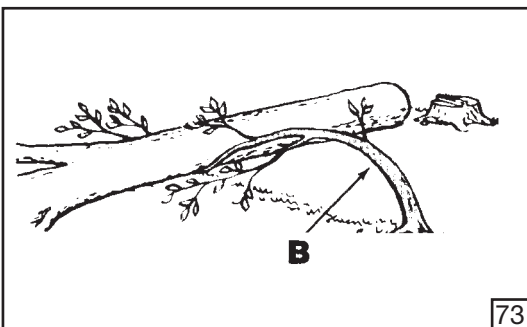
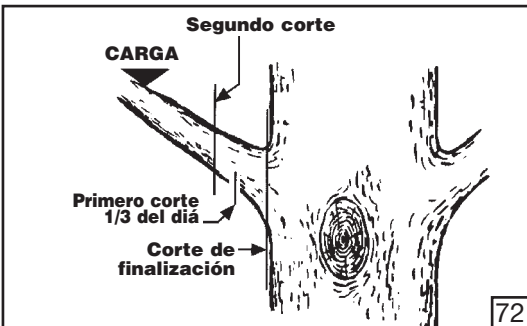
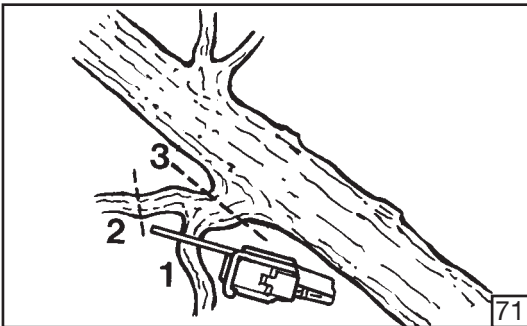
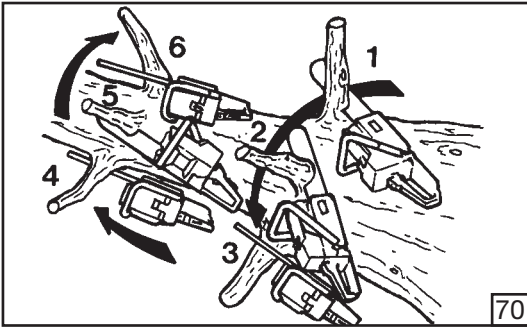
ADVERTENCIA: Esté alerta y protegido contra los rebotes. Cuando realice trabajos de corte de ramas y de poda, no permita que la cadena en movimiento entre en contacto con otras ramas u objetos en la parte delantera de la barra guía. Si se produce tal contacto, se pueden sufrir lesiones graves.



69

- Trabaje lentamente, manteniendo agarrada la motosierra con ambas manos de manera firme y correcta. Mantenga un buen equilibrio (Fig. 68).
- Mantenga el árbol entre usted y la cadena mientras corta ramas (A, Fig. 69). Corte desde el lado del árbol contrario a la rama que esté cortando.
- No corte subido a una escalera, ya que es muy peligroso (Fig. 68). Deje esta operación a los profesionales.
- No corte con la motosierra por encima de la altura del pecho, puesto que si está en una posición más alta resultará difícil controlarla cuando se produzca un rebote.
- Esté alerta ante recuperaciones elásticas. Tenga cuidado con las ramas que estén dobladas o bajo presión. Evite que la rama o la motosierra le golpee al liberarse la tensión existente en las fibras de madera.
- Mantenga el área de trabajo despejada. Para evitar tropezar y caerse, retire con frecuencia las ramas que haya en el suelo.

ADVERTENCIA: No se suba nunca a un árbol para cortar ramas o podar. No se suba a una escalera, plataforma o tronco; tampoco se ponga en ninguna posición que pueda hacer que pierda el equilibrio o el control de la motosierra.



Operación de corte de ramas (Fig. 70-71)

- Corte siempre las ramas tras cortar y derribar el árbol. Sólo entonces se podrán cortar las ramas de forma segura y adecuada.
- Deje las ramas más grandes debajo del árbol talado para apoyar el árbol mientras trabaja.
- Comience en la base del árbol talado y vaya subiendo hacia la parte superior, cortando ramas y brazos. Quite las ramas pequeñas con un corte.
- Mantenga el árbol entre usted y la cadena. Corte desde el lado del árbol contrario a la rama que esté cortando.
- Quite las ramas de apoyo más grandes según las técnicas de corte descritas en el apartado correspondiente a la operación de tronzado sin apoyo.
- Realice siempre el corte por arriba para cortar ramas pequeñas y que cuelguen libremente. Si realiza el corte por abajo, las ramas podrían caer y aprisionar la sierra.

Operación de poda (Fig. 72)

- Al podar árboles, es importante no realizar el corte alineado junto al tronco o rama principal hasta que haya cortado la rama situada más al exterior para reducir el peso. De esta forma se evita quitar la corteza del miembro principal.
- En el primer corte, tronce la rama por abajo 1/3; en el segundo corte, tronce por arriba para que la rama caiga.
- Ahora, haga el corte final suavemente y con cuidado contra el miembro principal de forma que la corteza vuelva a crecer para cerrar la herida.



ADVERTENCIA: Si las ramas que debe podar están por encima de la altura del pecho, póngase en contacto con un profesional para que realice la tarea.

Pértigas

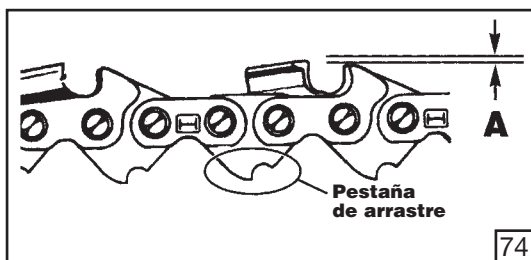
Una pértiga (**B**, Fig. 73) es cualquier tronco, rama, tocón con raíz o árbol joven doblados bajo tensión por otra madera, por lo que saltarán si la madera que los sujeta se corta o se quita. En un árbol caído, es muy probable que un tocón con raíz salte y se ponga en posición vertical mientras se realiza el corte de tronzado para separar el tronco del tocón. Tenga cuidado con las pértigas, ya que son potencialmente peligrosas.



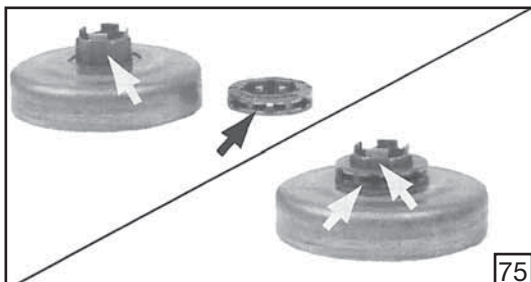
ADVERTENCIA: Las pértigas son peligrosas y pueden golpear al operador, provocando que pierda el control de la motosierra. Ello podría causar al operador lesiones graves o mortales.

Tabla de mantenimiento

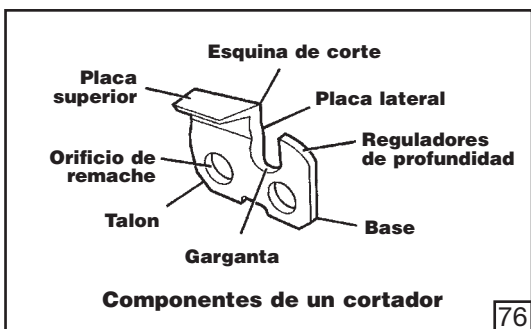
Tenga en cuenta que los siguientes intervalos de mantenimiento se aplican solamente en condiciones de funcionamiento normales. Si para su trabajo diario es necesario utilizar la motosierra durante más tiempo del normal, o si las condiciones de corte son duras, los intervalos sugeridos se deberán ajustar en consecuencia.		Antes de cada uso	Tras cada parada de repostaje	Tras finalizar el trabajo diario	Semanalmente	Mensualmente	Si hay daños o defectos	Según sea necesario
Toda la máquina	Inspeccionar (fugas, grietas y desgaste)	X	X					
	Limpiar			X				
Controles (interruptor de encendido, palanca de estrangulación, activador, interbloqueo del activador)	Comprobar el funcionamiento	X	X					
Freno de la cadena	Comprobar el funcionamiento	X	X					
	Limpiar y lubricar				X			
	Comprobar en el concesionario						X	X
Depósito de combustible	Inspeccionar (fugas, grietas y desgaste)	X	X					
	Limpiar					X		
Depósito de aceite	Inspeccionar (fugas, grietas y desgaste)	X	X					
	Limpiar					X		
Filtro de combustible	Inspeccionar				X			
	Limpiar, sustituir el elemento de filtro						X	Cada 6 meses
Lubricación de la cadena	Comprobar el rendimiento	X	X					
Cadena de la sierra	Inspeccionar (daños, afilado y desgaste)	X	X					
	Comprobar la tensión	X	X					
	Afilar (comprobar el calibre de profundidades)						X	X
Barra guía	Inspeccionar (daños y desgaste)	X	X					
	Limpiar la ranura de la barra y los conductos de aceite	X						
	Girar				X			
	Lubricar la parte delantera de la rueda dentada				X			
	Desbarbar				X			
	Sustituir						X	X
Rueda dentada	Inspeccionar (daños y desgaste)				X			Reemplazar con cada cadena nueva
Tambor del embrague	Inspeccionar (daños y desgaste)				X			
	Sustituir						X	
Sujetador de la cadena	Inspeccionar (daños y desgaste)	X	X					
	Sustituir						X	X
Pantalla de supresión de chispas (en el amortiguador)	Inspeccionar (daños y desgaste)				X			
	Limpiar o sustituir						X	X
Todas las tuercas y tornillos accesibles (no los tornillos de ajuste)	Inspeccionar	X						
	Volver a apretar				X			
Filtro de aire	Limpiar	X						X
	Sustituir						X	Cada 6 meses
Aletas del cilindro	Limpiar					X		
Salidas de ventilación del sistema del motor de arranque	Limpiar			X				
Cuerda del motor de arranque	Inspeccionar (daños y desgaste)				X			
	Sustituir						X	
Carburador	Comprobar el ralenti (la cadena no debe girar al ralenti)	X	X					
Bujía	Comprobar la separación de las puntas del electrodo					X		
	Sostituir						X	Cada 6 meses
Soportes de vibración	Inspeccionar (daños y desgaste)				X			
	Sustituir en el concesionario						X	X



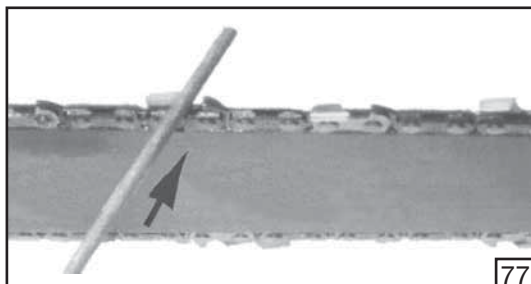
74



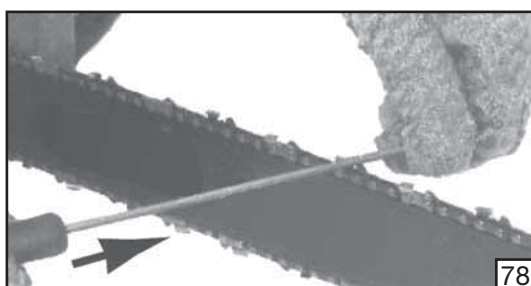
75



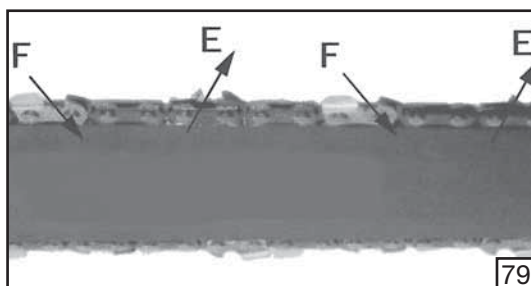
76



77



78



79

Mantenimiento de la cadena

Utilice solamente cadenas de bajo rebote de diente doble en esta sierra. Esta cadena de corte rápido ofrece reducción de rebote cuando recibe un mantenimiento adecuado.

Para obtener un corte rápido y uniforme, la cadena de dientes debe recibir un mantenimiento adecuado. La cadena se debe afilar cuando las partículas de madera son pequeñas y pulverulentas. Dicha cadena se debe forzar para atravesar la madera durante el corte, o cuando corta a un lado. Cuando realice el mantenimiento de la cadena, tenga en cuenta lo siguiente:

1. Si el ángulo de corte de la placa lateral es inadecuado, la probabilidad de que se produzcan rebotes importantes puede aumentar.
2. Holgura del diente (calibre de profundidades) (A, Fig. 74): si es excesiva, la probabilidad de que se produzcan rebotes aumenta; si es insuficiente, la capacidad de corte disminuye.
3. Si los dientes del cortador han golpeado objetos duros como clavos y piedras, o si se han erosionado al haber barro o arena en la madera, lleve la unidad a un concesionario de servicio para que afilen la cadena.
4. En casos poco comunes, las lengüetas de transmisión podrían deteriorarse, por lo que la cadena no giraría libremente. Sustituya la cadena si es necesario.

NOTA: Cuando sustituya la cadena, inspeccione la rueda dentada para ver si está desgastada o dañada. Si hay señales de desgaste o daños en las partes indicadas en la Fig. 75, lleve la unidad a un concesionario de servicio para que sustituyan la rueda dentada.

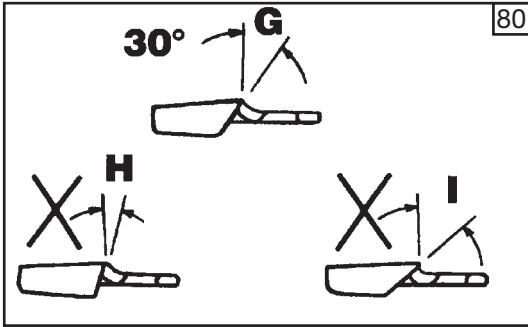
Cómo afilar los cortadores (Fig. 76)

Tenga cuidado para limar todos los cortadores según los ángulos especificados y a la misma longitud, ya que para que los cortes se realicen con rapidez es necesario que todos los cortadores sean uniformes.

1. Utilice guantes de protección. Tense la cadena lo suficiente para que no baile. Realice toda la operación de limado en el punto medio de la barra. Consulte la sección de funcionamiento correspondiente a la tensión de la cadena.
2. Utilice un soporte y una lima redonda con un diámetro de 3/16".
3. Mantenga la lima nivelada con la placa superior del diente como se muestra en la Fig. 77. No permita que la lima se baje o balancee.
4. Con una presión ligera pero firme, pase la lima hacia la esquina delantera del diente como se muestra en la Fig. 78. Levante la lima y retírela del acero en cada pasada de retorno.
5. Pase la lima con firmeza varias veces en cada diente. Lime todos los cortadores izquierdos (E, Fig. 79) en un sentido. A continuación, pase al otro lado y lime los cortadores derechos (F) en el sentido contrario. Ocasionalmente, retire las limaduras de la lima con un cepillo metálico.

PRECAUCIÓN: Si la cadena no está correctamente afilada o ha perdido brillo, puede provocar que la velocidad del motor sea excesiva durante el corte, lo cual podría dañar gravemente el motor.

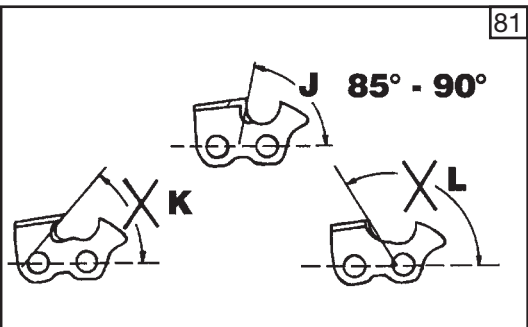
ADVERTENCIA: Es fundamental ajustarse a los ángulos y dimensiones que se especifican a continuación. Si la cadena está incorrectamente afilada y, en particular, si el calibre de profundidades se ajusta demasiado bajo, la probabilidad de que se produzcan rebotes puede aumentar, con el riesgo de lesiones resultante. Si la cadena se daña y no se sustituye o se repara, se pueden producir lesiones graves. Puesto que la cadena está muy afilada, utilice siempre guantes protectores cuando realice trabajos de mantenimiento en ella.



Ángulo de la placa superior

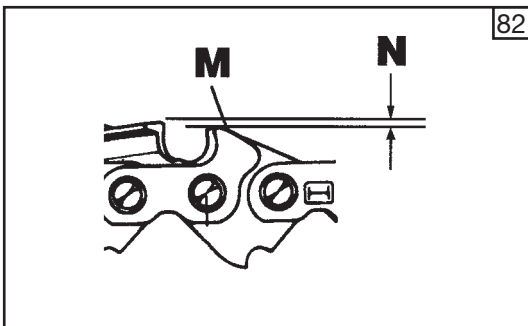
Los soportes de lima se marcan con marcas guía para alinear la lima correctamente a fin de obtener el ángulo correcto de la placa superior (Fig. 80).

- G) CORRECTO: 30°
- H) INFERIOR A 30° : Para corte transversal
- I) SUPERIOR A 30° : El borde en bisel pierde brillo rápidamente.



Ángulo de la placa lateral (Fig. 81)

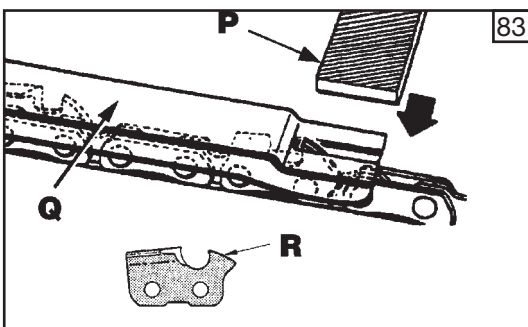
- J) CORRECTO: 85° - 90°
Se obtiene automáticamente si en el soporte de lima se utiliza una lima con el diámetro correcto.
- K) GANCHO: Se "agarra" y pierde brillo rápidamente. Aumenta la posibilidad de que se produzca **REBOTE**.
Ocurre cuando se utiliza una lima con un diámetro demasiado pequeño, o si la lima se pone demasiado baja.
- L) INCLINACIÓN HACIA ATRÁS: Requiere demasiada presión de alimentación; provoca un desgaste excesivo en la barra y la cadena.
Ocurre cuando se utiliza una lima con un diámetro demasiado grande, o si la lima se pone demasiado alta.



Holgura del calibre de profundidades

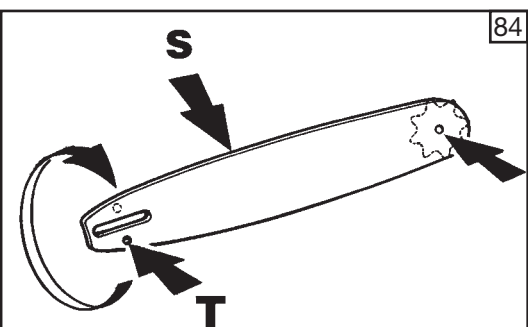
1. El calibre de profundidades (**M, Fig. 82**) se debe mantener con una holgura (**N**) comprendida entre .020 (0.5 mm) y .024" (0,6 mm). Utilice una herramienta para calibres de profundidades a fin de comprobar las holguras del calibre de profundidades.
2. Cada vez que lime la cadena, compruebe la holgura del calibre de profundidades.

Utilice una lima plana y una ensambladora para calibres de profundidades a fin de bajar todos los calibres uniformemente (Fig. 83).



- P) LIMA PLANA
- Q) ENSAMBLADORA PARA CALIBRES DE PROFUNDIDADES
Ensambladoras para calibres de profundidades disponibles en .020" a .035" (0.5 mm a 0.9 mm). Tras bajar cada uno de los calibres de profundidades, recupere la forma original redondeando la parte delantera (**R**). Tenga cuidado para no dañar los eslabones de transmisión adyacentes con el borde de la lima.

PRECAUCIÓN: Tras afilar la cadena, límpiela a fondo, elimine las limaduras o el polvo de rectificación, y lubrique la cadena a conciencia.



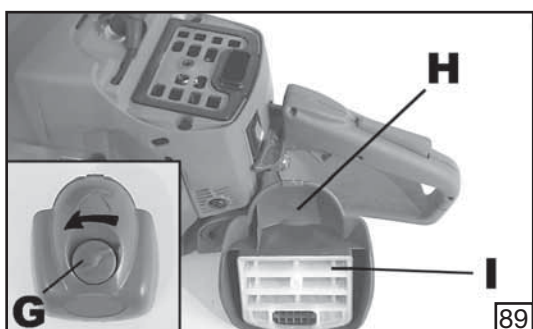
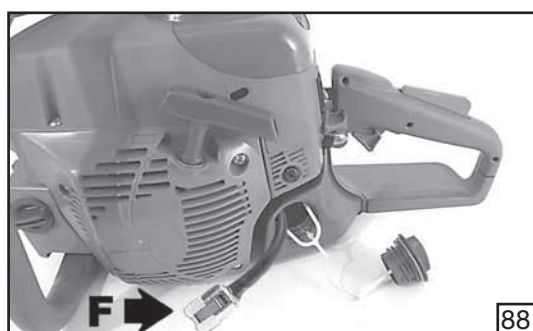
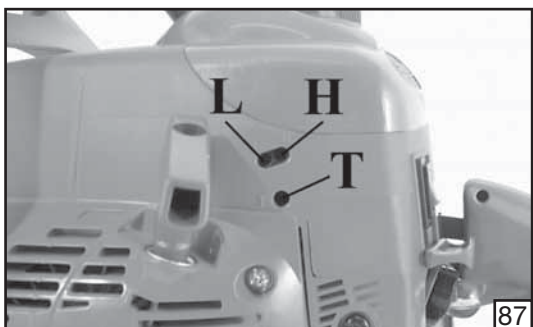
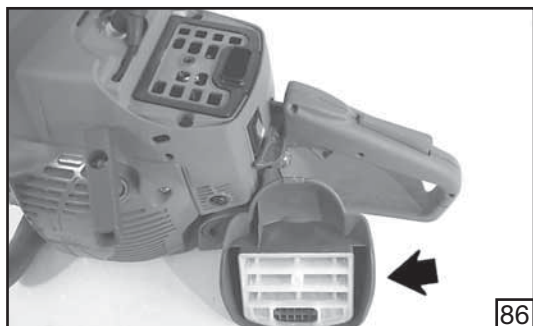
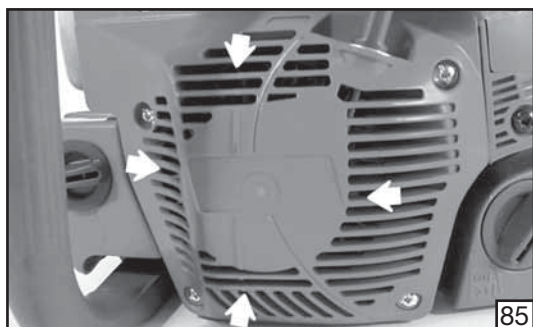
Mantenimiento de la barra guía

Cada día que utilice la unidad, invierta la barra guía de la sierra para distribuir el desgaste a fin de prolongar el máximo posible la vida útil de la barra (consulte la Fig. 84). Limpie la barra todos los días que la utilice, y compruébela para ver si está desgastada o dañada.

El biselado o rebabado de los raíles de la barra forma parte del proceso normal de desgaste. Tales defectos se deben eliminar con una lima o una piedra en cuanto aparezcan.

Sustituya la barra si presenta cualquiera de los siguientes defectos:

- Desgaste dentro de los raíles de la barra que permite que la



cadena se coloque en perpendicular.

- Barra guía doblada.
- Raíles agrietados o rotos.
- Raíles abiertos.

Además, las barras guía que tengan una rueda dentada en la punta se deben lubricar periódicamente con una jeringa de engrase para aumentar su vida útil.

Gire la barra guía y compruebe que los orificios de lubricación (T) y la ranura de la cadena (S) no tienen impurezas.

Ajuste del carburador

Antes de ajustar el carburador, limpie las salidas de ventilación de la cubierta del motor de arranque como se muestra en la Fig. 85 y el filtro de aire como se indica en la Fig. 86. Para obtener más información, consulte las secciones de funcionamiento (unidad de arranque) y de mantenimiento (filtro de aire). Deje que el motor se caliente antes de ajustar el carburador.

Este motor está diseñado y fabricado para cumplir las regulaciones de Fase 2 de la EPA (Agencia de protección del medio ambiente de EE.UU.). El carburador se ha ajustado en fábrica y no debe requerir ningún ajuste. El carburador sólo permitirá realizar un ajuste limitado de las agujas "L" (chorro bajo) y "H" (chorro alto). Los ajustes se deberán realizar en un concesionario de servicio. Las agujas "L" (chorro bajo) y "H" (chorro alto) no se deberán forzar para fijarlas fuera del rango de ajuste bajo ninguna circunstancia.



ADVERTENCIA: El motor puede sufrir daños importantes si se realizan ajustes inadecuados en las agujas "L" y "H". No fuerce las agujas "L" y "H" para fijarlas fuera del rango de ajuste; en tal caso, el motor no funcionará en conformidad con las regulaciones sobre emisiones.

Ajuste de la velocidad de ralentí

- Si el motor arranca, se pone en marcha y acelera pero no se pone a ralentí, gire el tornillo de velocidad de ralentí "T" en el sentido de las agujas del reloj para aumentar la velocidad de ralentí (Fig. 87).
- Si la cadena gira al ralentí, gire el tornillo de velocidad de ralentí "T" en el sentido contrario a las agujas del reloj para reducir las RPM de ralentí y parar la cadena. Si la cadena sigue moviéndose a velocidad de ralentí, póngase en contacto con un concesionario de servicio para su ajuste, y no utilice la unidad hasta que se haya realizado la reparación.

Filtro de combustible

Compruebe periódicamente el filtro de combustible (F, Fig. 88). Sustitúyalo si está contaminado o dañado.

Filtro de aire



ADVERTENCIA: No limpie el filtro con gasolina u otros disolventes inflamables a fin de evitar que se cree el peligro de incendio o que se generen emisiones de evaporación perjudiciales.

Afloje por completo el mando de la cubierta del filtro de aire (G, Fig. 89) girándolo en el sentido contrario a las agujas del reloj, retire la cubierta (H) y compruebe el filtro de aire (I) cada día;

agite el filtro y límpielo con un cepillo suave. Si está muy sucio, límpielo con agua jabonosa, aclárelo y séquelo a fondo antes de instalarlo. Vuelva a instalar el filtro de aire en la cubierta. Ponga la cubierta del filtro de aire en la motosierra. Apriete firmemente el mando de la cubierta.

Un filtro de aire utilizado nunca se puede limpiar por completo. Se recomienda sustituir el filtro de aire por otro nuevo tras seis meses de funcionamiento.



PRECAUCIÓN: No ponga nunca el motor en marcha sin el filtro de aire, ya que se pueden producir daños importantes.

Compruebe que el filtro de aire está correctamente colocado en su cubierta antes de volver a montarlo. Sustituya siempre el filtro si está dañado. No limpie el filtro con un cepillo.



Unidad de motor de arranque

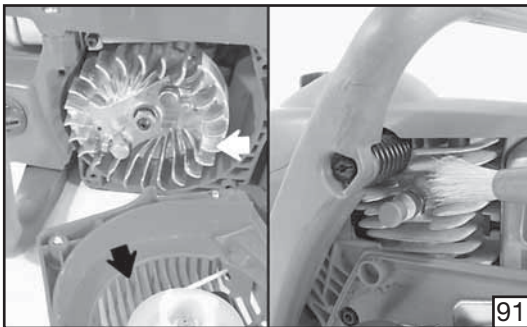
Utilice un cepillo para eliminar los residuos que haya en las salidas de refrigeración del conjunto de motor de arranque (Fig. 90).



ADVERTENCIA: El resorte de la bobina está bajo tensión y podría salir despedido provocando lesiones graves. No intente nunca desmontarlo ni modificarlo.

Motor

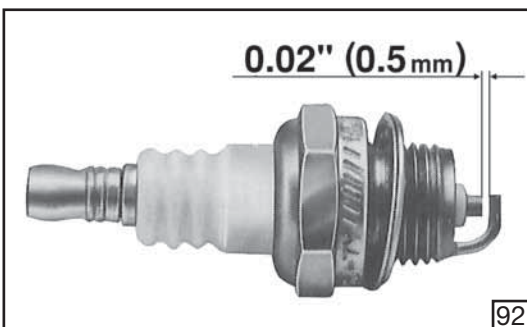
Limpie periódicamente las aletas del volante y del cilindro con aire comprimido o con un cepillo (Fig. 91). Si hay impurezas en el cilindro, es posible que el motor se sobrecaliente de forma peligrosa.



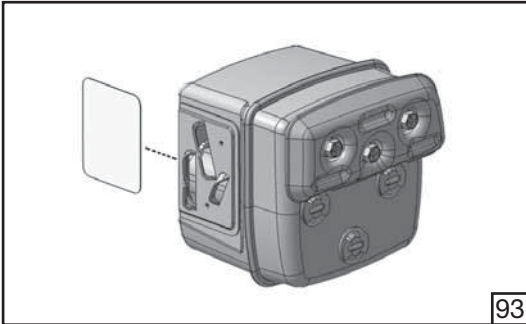
ADVERTENCIA: No ponga nunca la motosierra en marcha sin estar todas las piezas correctamente colocadas en su sitio, incluyendo la cubierta de la carcasa de transmisión y el alojamiento de arranque. Puesto que las piezas se pueden romper y salir despedidas, los trabajos de reparación del volante y el embrague los debe realizar personal de un concesionario de servicio con la formación adecuada.

Bujía

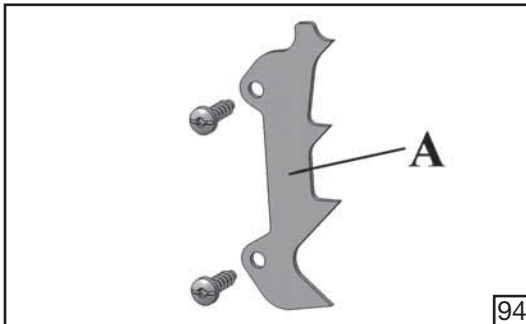
Este motor utiliza una bujía NGK BPMR7A con una separación de las puntas del electrodo de .02" (0.5 mm) (Fig. 92). Utilice una bujía de repuesto exactamente igual a la original y sustitúyala cada seis meses o con mayor frecuencia, si es necesario.



ADVERTENCIA: No someta nunca el sistema de encendido a pruebas con el conector del cable de encendido desconectado de la bujía o sin estar correctamente puesta la bujía, ya que las chispas no contenidas pueden provocar un incendio. Una conexión floja entre el terminal de la bujía y el conector del cable de encendido en la funda puede generar formación de arco, que puede inflamar los gases combustibles y provocar un incendio.



93



94

Utilice solamente bujías de tipo resistor de gama homologada.

Factores tales como:

- Demasiado aceite en la mezcla de combustible;
- Filtro de aire sucio;
- Condiciones de funcionamiento desfavorables (por ejemplo, funcionamiento con carga parcial);

Pueden provocar que la bujía se deteriore rápidamente.

Silenciador de supresión de chispas

La motosierra dispone de un sistema de supresión de chispas, nº de referencia 50080055, (Fig. 93) que cumple los requisitos de la norma SAE J335; puede comprobar el nº de referencia del sistema de supresión de chispas en el propio silenciador.



ADVERTENCIA: Si la pantalla del sistema de supresión de chispas es defectuosa o se ha modificado, puede existir el riesgo de incendios como resultado.

Por el uso normal, la pantalla puede ensuciarse y se deberá inspeccionar semanalmente y limpiarse según sea necesario.

Para limpiarla: Pongase en contacto con un concesionario de servicio



ADVERTENCIA: Si la pantalla de supresión de chispas está dañada, es defectuosa o está deteriorada, sustituya el cuerpo del silenciador o el conjunto completo de silenciador.

El sistema de supresión de chispas necesita un mantenimiento periódico y preciso y limpieza, en particular:

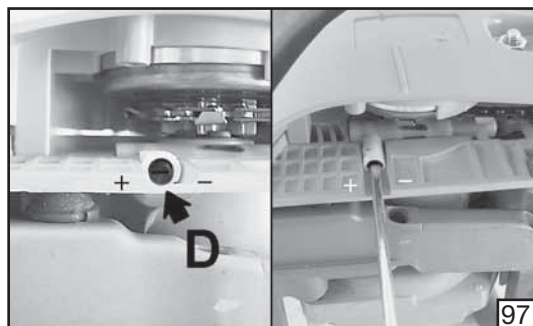
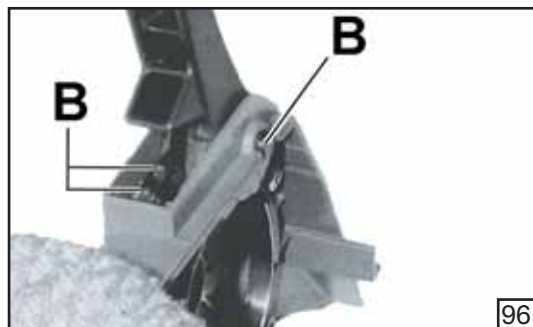
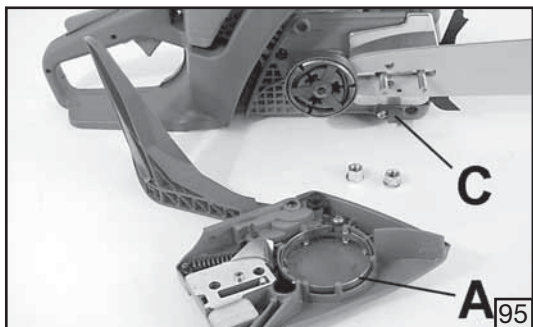
- Compruebe periódicamente la pantalla de supresión de chispas y sustitúyala si aparecen orificios, partes dobladas o deformaciones;
- Compruebe cuidadosamente si el polvo, residuos o material orgánico entran en contacto con piezas del sistema de supresión de chispas; compruebe especialmente el espacio entre el silenciador y el protector; límpielo a menudo con herramientas o aire de taller.

Nunca quitar el escape, hay que contactar siempre el servicio de asistencia técnica para la limpieza de la pantalla de supresión de chispas.

Para cumplir la norma, se deben montar un tope con puntas, nº de referencia 8850230145 (A, Fig. 94), como se proporcionan en la caja de la motosierra.



ADVERTENCIA: No utilice la motosierra si el silenciador está dañado, si falta o si se ha modificado. Si el silenciador no recibe un mantenimiento adecuado, aumentará el riesgo de incendios y de pérdida de la capacidad de audición.



Silenciador



ATENCIÓN - Este silenciador está dotado de catalizador, elemento necesario para que el motor cumpla con los niveles de emisión permitidos. No modifique ni quite el catalizador: si lo hace, viola la ley.



ATENCIÓN - Los silenciadores dotados de catalizador se calientan mucho durante el uso y permanecen calientes durante mucho tiempo después de la parada del motor. Esto ocurre incluso si el motor funciona al régimen mínimo. El contacto puede causar quemaduras de piel. ¡Recuerde el riesgo de incendio!



PRECAUCIÓN - Si el silenciador está dañado, hay que sustituirlo. Si el silenciador se obstruye con frecuencia, esto puede ser indicio de que el rendimiento del catalizador es limitado.



ATENCIÓN - No utilice la motosierra si el silenciador está dañado, ha sido modificado o no está montado. Si el silenciador no recibe un mantenimiento adecuado, aumentará el riesgo de incendios y de pérdida de la capacidad de audición.

Freno de la cadena

Si el freno de la cadena no funciona correctamente, extraiga la cubierta del embrague y limpie los componentes del freno. Compruebe la existencia de desgaste en la banda del freno (A, Fig. 95) y sustitúyala si está desgastada o deformada.



ADVERTENCIA: Si la banda del freno es demasiado fina por el desgaste, puede romperse al accionar el freno de la cadena. Si la banda del freno está rota, el freno no detendrá la cadena. El freno de la cadena se deberá sustituir en un concesionario de servicio autorizado si el grosor de alguna parte es inferior a 0.024" (0.6 mm). Las reparaciones del freno de la cadena las deberá realizar un concesionario de servicio autorizado. Lleve la unidad al establecimiento de compra si la adquirió mediante un concesionario de servicio, o al concesionario de servicio autorizado más próximo.

Mantenga siempre limpio el mecanismo del freno de la cadena y lubrique ligeramente la articulación (B, Fig. 96).

Tras realizar tareas de revisión o limpieza, compruebe siempre el rendimiento del freno de la cadena según se describe en la sección de funcionamiento correspondiente al freno de la cadena.



ADVERTENCIA: Compruebe el sujetador de la cadena/tope de seguridad (C, Fig. 95) y sustitúylos si están dañados.

Bomba de aceite (automática/ajustable)

El fabricante ha prefijado el ajuste de flujo. El operador puede ajustar el flujo de aceite según los requisitos específicos mediante el tornillo de ajuste especial (D, Fig. 97). El aceite fluye solamente cuando la cadena está en movimiento.

Utilización de la tabla de solución de problemas



ADVERTENCIA: Pare siempre la unidad y desconecte la bujía antes de aplicar las siguientes soluciones recomendadas, excepto para las soluciones que requieran poner la unidad en funcionamiento.

Si el problema persiste tras comprobar todas las causas posibles indicadas, póngase en contacto con el concesionario de servicio. Si surge un problema que no aparece en esta tabla, póngase en contacto con el concesionario de servicio para obtener asistencia.

PROBLEMA	CAUSA POSIBLE	SOLUCIÓN
El motor no arranca o funciona sólo durante unos segundos tras arrancarlo. (Compruebe que el interruptor de masa se encuentra en la posición de arranque "I")	1. No hay chispa. 2. El motor está ahogado.	1. Compruebe la chispa. Extraiga la cubierta del filtro de aire. Extraiga la bujía del cilindro. Vuelva a conectar el cable de la bujía y ponga la bujía en la parte superior del cilindro. Tire de la cuerda del motor de arranque y compruebe si se ve la chispa en la punta de la bujía. Si no hay chispa, repita la prueba con una bujía nueva (BPMR7A). 2. Con el interruptor de masa en la posición de apagado, extraiga la bujía. Ponga la palanca cebador en la posición de funcionamiento (empujada por completo hacia adentro), y tire de la cuerda del motor de arranque 15 a 20 veces. De esta forma, se eliminará el exceso de combustible del motor. Limpie la bujía y vuelva a instalarla. Tire la palanca del arrancador, luego la empuse toda para activar el dispositivo de semi aceleración. Tire de la cuerda del motor de arranque tres veces con la palanca cebador en la posición de funcionamiento. Si el motor no arranca, ponga la palanca cebador en la posición de estrangulación, y repita el procedimiento de arranque normal. Si el motor sigue sin arrancar, repita el procedimiento con una bujía nueva.
El motor arranca pero no acelera correctamente.	Es necesario ajustar el chorro bajo "L" del carburador.	* Póngase en contacto con un concesionario de servicio para que ajusten el carburador.
El motor arranca pero no funciona adecuadamente a alta velocidad.	Es necesario ajustar el chorro alto "H" del carburador.	* Póngase en contacto con un concesionario de servicio para que ajusten el carburador.
El motor no alcanza la velocidad máxima o echa demasiado humo.	1. Compruebe la mezcla de aceite y combustible. 2. El filtro de aire está sucio. 3. La pantalla de supresión de chispas está sucia. 4. Es necesario ajustar el chorro alto "H" del carburador.	1. Utilice combustible nuevo y la mezcla correcta de aceite de 2 ciclos. 2. Límpiolo según las instrucciones indicadas en la sección de mantenimiento correspondiente al filtro de aire. 3. Límpiela según las instrucciones indicadas en la sección de mantenimiento correspondiente al amortiguador de supresión de chispas. 4. * Póngase en contacto con un concesionario de servicio para que ajusten el carburador.
El motor arranca, se pone en marcha y acelera pero no se pone a ralentí.	Es necesario ajustar el carburador.	Gire el tornillo de velocidad de ralentí "T" en el sentido de las agujas del reloj para aumentar la velocidad de ralentí. (Si la cadena gira al ralentí, gire el tornillo de velocidad de ralentí "T" en el sentido contrario a las agujas del reloj para disminuir la velocidad); consulte la sección de funcionamiento correspondiente al ajuste del carburador.
La barra y la cadena se calientan y echan humo.	1. El depósito de aceite de la cadena está vacío. 2. La cadena está demasiado tensa. 3. Funcionamiento del sistema de lubricación.	1. El depósito de aceite se debe llenar cada vez que se llene el depósito de combustible. 2. Tense la cadena según las instrucciones indicadas en la sección de funcionamiento correspondiente a la tensión de la cadena. 3. Póngalo a aceleración máxima entre 15 y 30 segundos. Pare la motosierra y compruebe si gotea aceite del protector de la punta de la barra y de la barra guía. Si hay aceite, es posible que la cadena haya perdido brillo o que la barra esté dañada. Si no hay aceite, póngase en contacto con un concesionario de servicio.
El motor arranca y se pone en marcha, pero la cadena no gira.	1. El freno de la cadena está accionado. 2. La cadena está demasiado tensa. 3. Conjunto de cadena y barra guía. 4. La cadena o la barra guía están dañadas. 5. El tambor del embrague o la rueda dentada están dañados.	1. Libere el freno de la cadena; consulte la sección de funcionamiento correspondiente al freno de la cadena. 2. Tense la cadena según las instrucciones indicadas en la sección de funcionamiento correspondiente a la tensión de la cadena. 3. Consulte la sección correspondiente al montaje de la barra y la cadena. 4. Consulte la sección de mantenimiento correspondiente a la cadena o a la barra guía. 5. Sustitúyalos si es necesario; póngase en contacto con un concesionario de servicio.



ADVERTENCIA: No toque nunca la cadena mientras el motor esté en funcionamiento.

***Nota:** Este motor cumple las regulaciones de la EPA (Agencia de protección del medio ambiente de EE.UU.) y CARB (California Air Resource Board), que tratan el control de las emisiones de gases de escape. Como resultado, las agujas de ajuste del carburador cuentan con tapas de plástico que limitan el giro con respecto al ajuste original de fábrica. Si la unidad presenta problemas de rendimiento específicos que no se puedan solucionar con las instrucciones indicadas en la sección de solución de problemas, llévela a un concesionario de servicio para su reparación.

Almacenamiento de la motosierra



ADVERTENCIA: Pare el motor y deje que se enfríe, y asegure la unidad antes de guardarla o de transportarla en un vehículo. Guarde la unidad y el combustible en un lugar donde los vapores del combustible no puedan ponerse en contacto con chispas o llamas de calentadores de agua, motores o interruptores eléctricos, hornos, etc. Guarde la unidad con todas las protecciones en su sitio. Colóquela de forma que ningún objeto afilado pueda causar lesiones de forma accidental a los transeúntes. Guarde la unidad fuera del alcance de los niños y de otras personas no autorizadas.

1. Vacíe y limpie el depósito de combustible en un sitio bien ventilado.
2. Vacíe todo el combustible del depósito en un contenedor homologado para gasolina. Ponga el motor en marcha hasta que se pare. De esta forma, se eliminará toda la mezcla de combustible y aceite que podría deteriorarse y dejar barniz y goma en el sistema de combustible.
3. Limpie todo el material extraño de la sierra. Manténgala alejada de agentes corrosivos tales como productos químicos de jardinería y sales antihielo.
4. Cumpla todas las regulaciones estatales y locales relativas al almacenamiento y manejo seguros de gasolina. El exceso de combustible se debe utilizar en otros equipos accionados por motores de 2 ciclos.



PRECAUCIÓN: Es importante evitar que durante el almacenamiento se formen depósitos de goma en los componentes fundamentales del sistema de combustible tales como el carburador, el filtro, el manguito o el depósito de combustible. Los combustibles mezclados con alcohol (denominados gasohol o E10 o que utilizan etanol, metanol) pueden atraer humedad, lo cual provoca la separación de la mezcla de combustible y la formación de ácidos durante el almacenamiento. El gas ácido puede dañar el motor.

DATOS TÉCNICOS

MT 5200

MOTOR:

Cilindrada:	3.15 cu. in (51.7 cc)
Calibre:	1.77 in (45 mm)
Carrera:	1.28 in (32.5 mm)

RENDIMIENTO:

Velocidad de ralentí:	2,800÷3,100 RPM
Acelerador en máxima apertura (con barra y cadena):	12,500÷13,500 RPM
Potencia:	3.4 HP/2.5 kW (9,000 RPM)

SISTEMAS DE COMBUSTIBLE Y ACEITE:

Carburador:	Carburador de diafragma de posición múltiple
Capacidad del depósito de combustible:	16.9 oz. (500 ml)
Mezcla de combustible:	Consulte la sección de funcionamiento correspondiente a la alimentación de combustible.
Capacidad del depósito de aceite:	9.1 oz. (270 ml)
Lubricación de la cadena:	Bomba de desplazamiento con control automático de la velocidad

SISTEMA DE ENCENDIDO:

Bujía:	NGK BPMR7A
Separación de la bujía:	0.02 in. (0.5 mm)

EPA / CEPA:

El período de conformidad de emisiones que se indica en la etiqueta correspondiente especifica el número de horas de funcionamiento por el que el motor ha demostrado que cumple los requisitos federales sobre emisiones.

Categoría:

- A = 300 horas,
- B = 125 horas,
- C = 50 horas.

CARB:

El período de conformidad de emisiones utilizado en las etiquetas de índice de aire CARB indica los términos:

- Ampliado = 300 horas,
- Intermedio = 125 horas,
- Moderado = 50 horas.



en

WARNING: To ensure safe and correct operation of the chainsaw, this operator's manual should always be kept with or near the machine. Do not lend or rent your chainsaw without the operator's instruction manual.

fr

AVERTISSEMENT: Afin de garantir un fonctionnement correct et en toute sécurité de la tronçonneuse, il est recommandé de toujours conserver le manuel de l'utilisateur à proximité de la machine. Ne prêtez ou ne louez jamais votre tronçonneuse sans fournir le présent manuel d'utilisation et d'entretien.

es

ADVERTENCIA: Para garantizar el funcionamiento seguro y correcto de la motosierra, este manual del operador deberá conservarse siempre con la máquina o estar cerca de ella. No preste ni alquile la motosierra sin el manual de instrucciones del operador.



It's an **EMAK S.p.A.** trademark
42011 Bagnolo in Piano (RE) Italy
EMAK U.S.A. • www.emak.us

We care
Quality Ethics Environment
ISO 9001 - SA 8000 - ISO 14001