

# STRONGWAY®

## Product Name

2 in 1 Convertible Hand Truck

Owner's Manual



**⚠ WARNING:** Read carefully and understand all ASSEMBLY AND OPERATION INSTRUCTIONS before operating. Failure to follow the safety rules and other basic safety precautions may result in serious personal injury.

Item #5743241

**READ & SAVE THESE INSTRUCTIONS**

Thank you very much for choosing an Ironton product!

For future reference, please complete the owner's record below:

Serial Number/Lot Date Code (if applicable): \_\_\_\_\_

Purchase Date: \_\_\_\_\_

Save the receipt, warranty, and this manual. It is important that you read the entire manual to become familiar with this product before you begin using it.

This product is designed for certain applications only. Northern Tool and Equipment is not responsible for issues arising from modification or improper use of this product such as an application for which it was not designed. We strongly recommend that this product not be modified and/or used for any application other than that for which it was designed.

For technical questions, please call **1-800-222-5381**.

## Table of Contents

<b>Intended Use</b> .....	<b>4</b>
<b>Packaging Contents</b> .....	<b>4</b>
<b>Technical Specifications</b> .....	<b>4</b>
<b>Important Safety Information</b> .....	<b>5</b>
<b>Specific Operation Warnings</b> .....	<b>7</b>
<b>Grounding</b> .....	Error! Bookmark not defined.
<b>Extension Cords</b> .....	Error! Bookmark not defined.
<b>Main Parts of Product</b> .....	<b>7</b>
<b>Assembly Instructions</b> .....	Error! Bookmark not defined.
<b>Before Each Use</b> .....	Error! Bookmark not defined.
<b>Operating Instructions</b> .....	Error! Bookmark not defined.
<b>After Each Use</b> .....	Error! Bookmark not defined.
<b>Maintenance</b> .....	Error! Bookmark not defined.
<b>Troubleshooting</b> .....	Error! Bookmark not defined.
<b>Parts Diagram</b> .....	<b>8</b>
<b>Parts List</b> .....	<b>8</b>
<b>Replacement Parts</b> .....	<b>8</b>
<b>Limited Warranty</b> .....	<b>9</b>

## Intended Use

VENDOR:

This heavy-duty Convertible Hand Truck is an excellent choice for those who need to move large loads quickly and often. The truck has a 600-pound load capacity that ensures it won't buckle under the weight of your work. Hand trucks can easily convert from a 2-wheel vertical hand truck to a 4-wheel platform cart in the horizontal position. This allows you to transport heavier or more awkwardly shaped loads. A flow back handle allows for one- or two-hand operation. Ten-inch puncture-proof tires never go flat, so you can keep your work moving. Four-inch swivel casters give the Convertible Hand Truck increased maneuverability in the horizontal position. This hand truck has a powder-coated finish and ships fully assembled.

- Heavy duty hand truck converts from 2-wheel vertical to 4-wheel horizontal orientation
- Flow back handle for 1- or 2-hand operation
- 10" puncture-proof tires that never go flat
- 4" swivel casters for increased maneuverability while horizontal
- Capacity: 600 lbs
- Ideal for moving many large, heavy objects easily, including those with awkward shapes
- Powder-coated finish
- Fully assembled

## Packaging Contents

- PP Hanging Card (1)
- Warning Label (1)
- logo label (1)
- Max Capacity Label (1)

## Technical Specifications

VENDOR: Provide the technical specifications of the product. Replace the information in the table (example below) with the correct specifications. Add any additional information.

Property	Specification
Standing type Product with assembled wheels size:	19.1"x44.3"x47.2" inches
Lay flat type Product with assembled wheels size:	39"x19.1"x41.7" inches
Product weight:	28.73 lbs
2 wheel and 2 caster size:	Φ 10" and Φ 4" inches

## Important Safety Information

### **⚠️WARNING**

- Read and understand all instructions. Failure to follow all instructions may result in serious injury or property damage.
- The warnings, cautions, and instructions in this manual cannot cover all possible conditions or situations that could occur. Exercise common sense and caution when using this tool. Always be aware of the environment and ensure that the tool is used in a safe and responsible manner.
- Do not allow persons to operate or assemble the product until they have read this manual and have developed a thorough understanding of how it works.
- Do not modify this product in any way. Unauthorized modification may impair the function and/or safety and could affect the life of the product. There are specific applications for which the product was designed.
- Use the right tool for the job. DO NOT attempt to force small equipment to do the work of larger industrial equipment. There are certain applications for which this equipment was designed. This product will be safer and do a better job at the capacity for which it was intended. DO NOT use this equipment for a purpose for which it was not intended.
- Industrial or commercial applications must follow OSHA requirements.

### **⚠️WARNING**

#### **PROP 65**

- This product can expose you to chemicals including lead, which is known to the State of California to cause cancer. For more information, go to [www.p65warnings.ca.gov](http://www.p65warnings.ca.gov).
- Some dust created by power sanding, sawing, grinding, drilling, and other construction activities contains chemicals known to the state of California to cause cancer, birth defects, or other reproductive harm. Some examples of these chemicals are:
  - - lead from lead-based paints,
  - - crystalline silica from bricks and cement and other masonry products, and
  - - arsenic and chromium from chemically-treated lumber.
- Your risk from these exposures varies depending on how often you do this type of work. To reduce your exposure to these chemicals, work in a well-ventilated area, and work with approved safety equipment, such as dust masks that are specially designed to filter out microscopic particles.
- Handling power cords on corded products may expose you to lead, a chemical known to the state of California to cause cancer and birth defects or other reproductive harm. Wash your hands after handling.

### **⚠️WARNING**

#### **WORK AREA SAFETY**

- Inspect the work area before each use. Keep work area clean, dry, free of clutter, and well-lit. Cluttered, wet, or dark work areas can result in injury. Using the product in confined work areas

may put you dangerously close to cutting tools and rotating parts.

- Do not use the product where there is a risk of causing a fire or an explosion; e.g., in the presence of flammable liquids, gases, or dust. The product can create sparks, which may ignite the flammable liquids, gases, or dust.
- Do not allow the product to come into contact with an electrical source. The tool is not insulated and contact will cause electrical shock.
- Keep children and bystanders away from the work area while operating the tool. Do not allow children to handle the product.
- Be aware of all power lines, electrical circuits, water pipes, and other mechanical hazards in your work area. Some of these hazards may be hidden from your view and may cause personal injury and/or property damage if contacted.

## **⚠WARNING**

### **PERSONAL SAFETY**

- Stay alert, watch what you are doing, and use common sense when operating the tool. Do not use the tool while you are tired or under the influence of drugs, alcohol, or medication. A moment of inattention while operating the tool may result in serious personal injury.
- Dress properly. Do not wear loose clothing, dangling objects, or jewelry. Keep your hair, clothing and gloves away from moving parts. Loose clothes, jewelry, or long hair can be caught in moving parts. Air vents on the tool often cover moving parts and should be avoided.
- Wear the proper personal protective equipment when necessary. Use ANSI Z87.1 compliant safety goggles (not safety glasses) with side shields, or when needed, a face shield. Use a dust mask in dusty work conditions. Also use non-skid safety shoes, hardhat, gloves, dust collection systems, and hearing protection when appropriate. This applies to all persons in the work area.
- Do not overreach. Keep proper footing and balance at all times.
- Remove keys or wrenches before connecting the tool to an air supply, power supply, or turning on the tool. A wrench or key that is left attached to a rotating part of the tool may cause personal injury.
- Secure the work with clamps or a vise instead of your hand when practical. This safety precaution allows for proper tool operation using both hands.

## **⚠CAUTION**

### **PRODUCT USE AND CARE**

- Do not force the product. Products are safer and do a better job when used in the manner for which they are designed. Plan your work and use the correct product for the job.
- Check for damaged parts before each use. Carefully check that the product will operate properly and perform its intended function. Replace damaged or worn parts immediately. Never operate the product with a damaged part.
- Do not use a product with a malfunctioning switch. Any power tool that cannot be controlled with the power switch is dangerous and must be repaired by an authorized service representative

before using.

- Disconnect the power/air supply from the product and place the switch in the locked or off position before making any adjustments, changing accessories, or storing the tool. Such preventive safety measures reduce the risk of starting the tool accidentally.
- Store the product when it is not in use. Store it in a dry, secure place out of the reach of children. Inspect the tool for good working condition prior to storage and before re-use.
- Use only accessories that are recommended by the manufacturer for use with your product. Accessories that may be suitable for one product may create a risk of injury when used with another tool. Never use an accessory that has a lower operating speed or operating pressure than the tool itself.
- Keep guards in place and in working order. Never operate the product without the guards in place.
- Do not leave the tool running unattended.

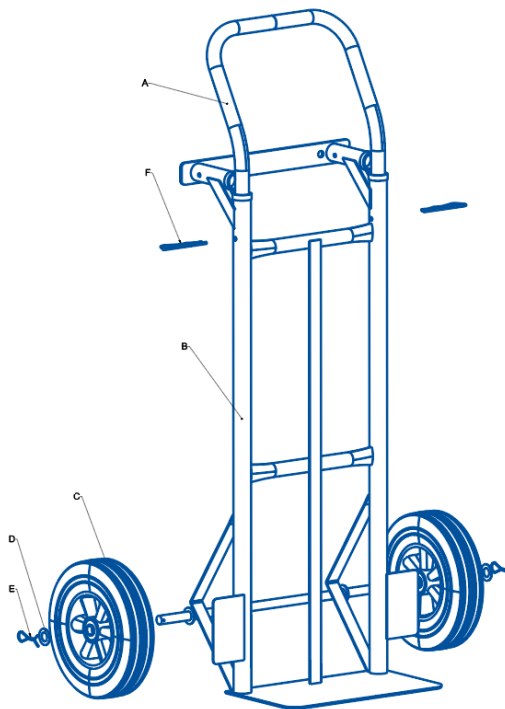
### Specific Operation Warnings

#### ⚠WARNING

- To avoid serious personal injury or property damage, do not exceed 600 lbs.

### Main Parts of Product

Part No.	Qty	Description
A	1	Handrail
B	1	Frame
C	2	Wheel
D	2	Gaskets
E	2	Cotter pin
F	2	R Cotter pin



#### Subassembly

1. The left and right wheels are installed respectively.
2. After installing the wheel, put the left and right gaskets on respectively.
3. Insert the dowel into the cylinder pin by hand or pliers. Do not Hammer the dowel into the cylinder pin.
4. Use a screwdriver to open the split pin, open more than 60 degrees can be.
5. Align the holes in the handrail and frame, then run the R Cotter pin the Middle.

## Parts Diagram

**VENDOR:** Insert an exploded parts diagram of the product here.

## Parts List

**VENDOR:** List all of the parts that are shown in the exploded diagram.

Reference	Part Number	Part Description	Quantity
1	5743241-F	frame	1
2	5743241-W	Φ 10" wheel	2
3	5743241-C	φ 4" caster	2
4	5743241-G	Gasket	4
5	5743241-CL	Large Cotter pin	2
6	5743241-CS	Small Cotter pin	2

## Replacement Parts

- For replacement parts and technical questions, please call Customer Service at **1-800-222-5381**.
- Not all product components are available for replacement. The illustrations provided are a convenient reference to the location and position of parts in the assembly sequence.
- When ordering parts, the following information will be required: item description, item model number, item serial number/item lot date code, and the replacement part reference number.
- The distributor reserves the rights to make design changes and improvements to product lines and manuals without notice.

## Limited Warranty

Northern Tool and Equipment Company, Inc. ("We" or "Us") warrants to the original purchaser only ("You" or "Your") that the Ironton product purchased will be free from material defects in both materials and workmanship, normal wear and tear excepted, for a period of **one year** from date of purchase. The foregoing warranty is valid only if the installation and use of the product is strictly in accordance with product instructions. There are no other warranties, express or implied, including the warranty of merchantability or fitness for a particular purpose. If the product does not comply with this limited warranty, Your sole and exclusive remedy is that We will, at our sole option and within a commercially reasonable time, either replace the product or product component without charge to You or refund the purchase price (less shipping). This limited warranty is not transferable.

### Limitations on the Warranty

This limited warranty does not cover: (a) normal wear and tear; (b) damage through abuse, neglect, misuse, or as a result of any accident or in any other manner; (c) damage from misapplication, overloading, or improper installation; (d) improper maintenance and repair; and (e) product alteration in any manner by anyone other than Us, with the sole exception of alterations made pursuant to product instructions and in a workmanlike manner.

### Obligations of Purchaser

You must retain Your product purchase receipt to verify date of purchase and that You are the original purchaser. To make a warranty claim, contact Us at 1-800-222-5381, identify the product by make and model number, and follow the claim instructions that will be provided. The product and the purchase receipt must be provided to Us in order to process Your warranty claim. Any returned product that is replaced or refunded by Us becomes our property. You will be responsible for return shipping costs or costs related to Your return visit to a retail store.

### Remedy Limits

Product replacement or a refund of the purchase price is Your sole remedy under this limited warranty or any other warranty related to the product. We shall not be liable for: service or labor charges or damage to Your property incurred in removing or replacing the product; any damages, including, without limitation, damages to tangible personal property or personal injury, related to Your improper use, installation, or maintenance of the product or product component; or any indirect, incidental or consequential damages of any kind for any reason.

### Assumption of Risk

You acknowledge and agree that any use of the product for any purpose other than the specified use(s) stated in the product instructions is at Your own risk.

### Governing Law

This limited warranty gives You specific legal rights, and You also may have other rights which vary from state to state. Some states do not allow limitations or exclusions on implied warranties or incidental or consequential damages, so the above limitations may not apply to You. This limited warranty is governed by the laws of the State of Minnesota, without regard to rules pertaining to conflicts of law. The state courts located in Dakota County, Minnesota shall have exclusive jurisdiction for any disputes relating to this warranty.

# **STRONGWAY®**

Distributed by:

Northern Tool & Equipment Company, Inc.

Burnsville, Minnesota 55306

[www.northerntool.com](http://www.northerntool.com)

Made in **Cambodia**