



Air-Operated Waste Oil Drainer

Owner's Manual



WARNING: Read carefully and understand all ASSEMBLY AND OPERATION INSTRUCTIONS before operating. Failure to follow the safety rules and other basic safety precautions may result in serious personal injury.

Items #57139 & #57142

READ & SAVE THESE INSTRUCTIONS

Thank you very much for choosing a Roughneck™ product!

For future reference, please complete the owner's record below:

Serial Number/Lot Date Code: _____

Purchase Date: _____

Save the receipt, warranty, and this manual. It is important that you read the entire manual to become familiar with this product before you begin using it.

This oil drainer is designed for certain applications only. Northern Tool and Equipment is not responsible for issues arising from modification or improper use of this product such as an application for which it was not designed. We strongly recommend that this product not be modified and/or used for any application other than that for which it was designed.

For technical questions, please call **1-800-222-5381**.

Table of Contents

Intended Use.....	4
Technical Specifications	4
Important Safety Information	4
Specific Operation Warnings	6
Main Parts of Oil Drain.....	6
Assembly Instructions.....	7
Before Each Use.....	10
Operating Instructions.....	10
After Each Use.....	13
Maintenance	13
Parts Diagram	14
Parts List.....	14
Replacement Parts	17
Limited Warranty.....	17

Intended Use

The Roughneck Air-Operated Waste Oil Drainer is used for draining waste oil from engines, gear boxes, and differentials of all vehicles. It can be equipped with a special support to allow filters to drain. The hand wheel connecting seat easily adjusts the height of the oil collecting bowl.

Technical Specifications

	#57139	#57142
Air inlet	1/4" NPT	1/4" NPT
Extension funnel	Yes	Yes
Capacity	65L/17 Gal	90L/24 Gal

- Max draining pressure: 1 bar/14.5 psi
- Draining hose length: 2000mm/78.7"
- Collection bowl capacity: 18L/4.8 Gal
- Extension funnel diameter: 606mm/23.8"

Important Safety Information

⚠WARNING

- Read and understand all instructions. Failure to follow all instructions may result in serious injury or property damage.
- The warnings, cautions, and instructions in this manual cannot cover all possible conditions or situations that could occur. Exercise common sense and caution when using this tool. Always be aware of the environment and ensure that the tool is used in a safe and responsible manner.
- Do not allow persons to operate or assemble the product until they have read this manual and have developed a thorough understanding of how it works.
- Do not modify this product in any way. Unauthorized modification may impair the function and/or safety and could affect the life of the product. There are specific applications for which the product was designed.
- Use the right tool for the job. DO NOT attempt to force small equipment to do the work of larger industrial equipment. There are certain applications for which this equipment was designed. This product will be safer and do a better job at the capacity for which it was intended. DO NOT use this equipment for a purpose for which it was not intended.
- Industrial or commercial applications must follow OSHA requirements.

⚠WARNING

WORK AREA SAFETY

- Inspect the work area before each use. Keep work area clean, dry, free of clutter, and well-lit.

Cluttered, wet, or dark work areas can result in injury. Using the product in confined work areas may put you dangerously close to cutting tools and rotating parts.

- Do not use the product where there is a risk of causing a fire or an explosion; e.g., in the presence of flammable liquids, gases, or dust. The product can create sparks, which may ignite the flammable liquids, gases, or dust.
- Do not allow the product to come into contact with an electrical source. The tool is not insulated and contact will cause electrical shock.
- Keep children and bystanders away from the work area while operating the tool. Do not allow children to handle the product.
- Be aware of all power lines, electrical circuits, water pipes, and other mechanical hazards in your work area. Some of these hazards may be hidden from your view and may cause personal injury and/or property damage if contacted.

⚠WARNING

PERSONAL SAFETY

- Stay alert, watch what you are doing, and use common sense when operating the tool. Do not use the tool while you are tired or under the influence of drugs, alcohol, or medication. A moment of inattention while operating the tool may result in serious personal injury.
- Dress properly. Do not wear loose clothing, dangling objects, or jewelry. Keep your hair, clothing and gloves away from moving parts. Loose clothes, jewelry, or long hair can be caught in moving parts. Air vents on the tool often cover moving parts and should be avoided.
- Wear the proper personal protective equipment when necessary. Use ANSI Z87.1 compliant safety goggles (not safety glasses) with side shields, or when needed, a face shield. Use a dust mask in dusty work conditions. Also use non-skid safety shoes, hardhat, gloves, dust collection systems, and hearing protection when appropriate. This applies to all persons in the work area.
- Do not overreach. Keep proper footing and balance at all times.
- Remove keys or wrenches before connecting the tool to an air supply, power supply, or turning on the tool. A wrench or key that is left attached to a rotating part of the tool may cause personal injury.
- Secure the work with clamps or a vise instead of your hand when practical. This safety precaution allows for proper tool operation using both hands.

⚠CAUTION

OIL DRAIN USE AND CARE

- Do not force the oil drain. Products are safer and do a better job when used in the manner for which they are designed. Plan your work, and use the correct product for the job.
- Check for damaged parts before each use. Carefully check that the product will operate properly and perform its intended function. Replace damaged or worn parts immediately. Never operate the product with a damaged part.
- Do not use a product with a malfunctioning switch. Any power tool that cannot be controlled with

the power switch is dangerous and must be repaired by an authorized service representative before using.

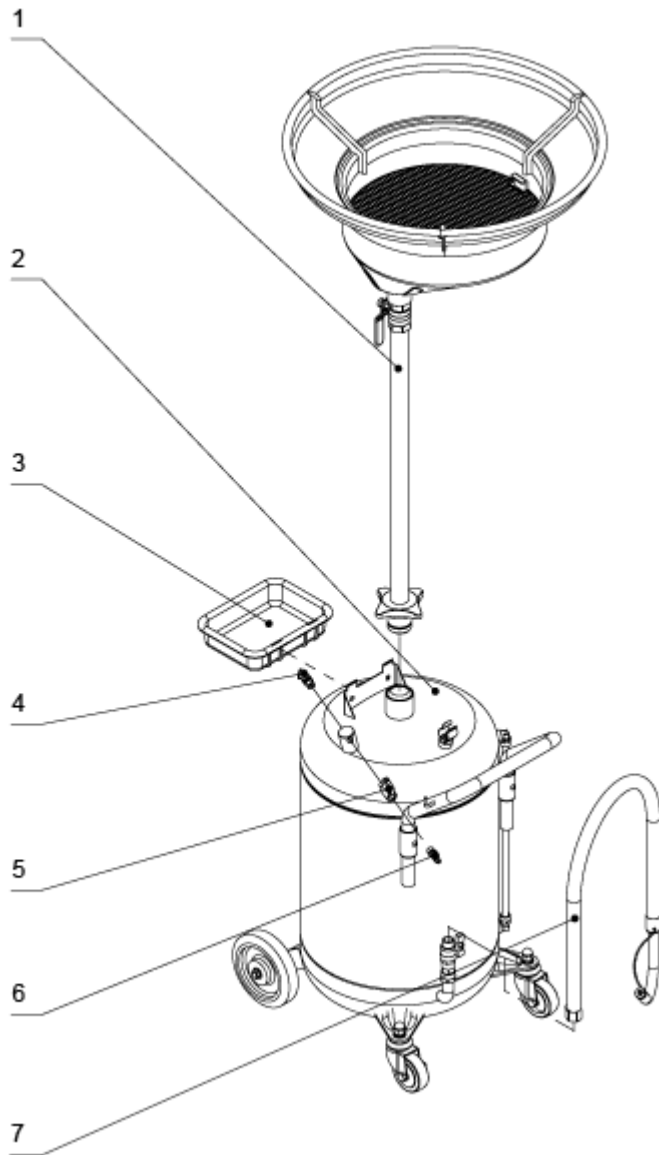
- Disconnect the power/air supply from the product and place the switch in the locked or off position before making any adjustments, changing accessories, or storing the tool. Such preventive safety measures reduce the risk of starting the tool accidentally.
- Store the product when it is not in use. Store it in a dry, secure place out of the reach of children. Inspect the tool for good working condition prior to storage and before re-use.
- Use only accessories that are recommended by the manufacturer for use with your product. Accessories that may be suitable for one product may create a risk of injury when used with another tool. Never use an accessory that has a lower operating speed or operating pressure than the tool itself.
- Keep guards in place and in working order. Never operate the product without the guards in place.
- Do not leave the tool running unattended.

Specific Operation Warnings

⚠WARNING

- To prevent serious injury or property damage, read and understand owner's manual before operating.
- Always wear the proper personal protective gear including ANSI Z87.1 compliant safety goggles and heat-resistant rubber gloves when using this product.
- Use only on a dry, clean, level surface capable of supporting the weight of the vehicle.
- Engine exhaust contains carbon monoxide; an odorless, invisible gas that can cause injury or death. Do not run the vehicle's engine while using this product.
- Never work under a vehicle without the proper support devices. An incorrectly supported vehicle can tilt or fall and cause injury or death.
- Do not exceed the maximum rated pressure.
- Do not use to pump water or any other liquid other than oil.
- Hot oil can cause severe burns. Allow the engine oil to cool down completely before pumping the oil.
- Fire hazard. Flame or heat sources may ignite oil resulting in fire, injury or death. Never use or store this product near open flames or other heat sources.
- Remove this product and clear the work area before lowering the vehicle.
- Used engine oil is toxic and should be properly disposed of or recycled.
- Do not use with corrosive or flammable fluids.
- Not for use by or around children.

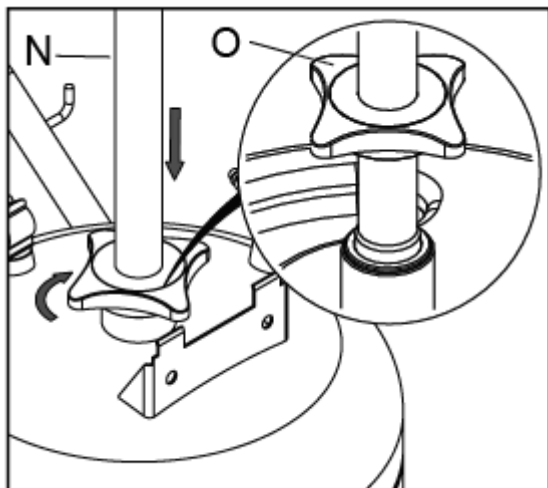
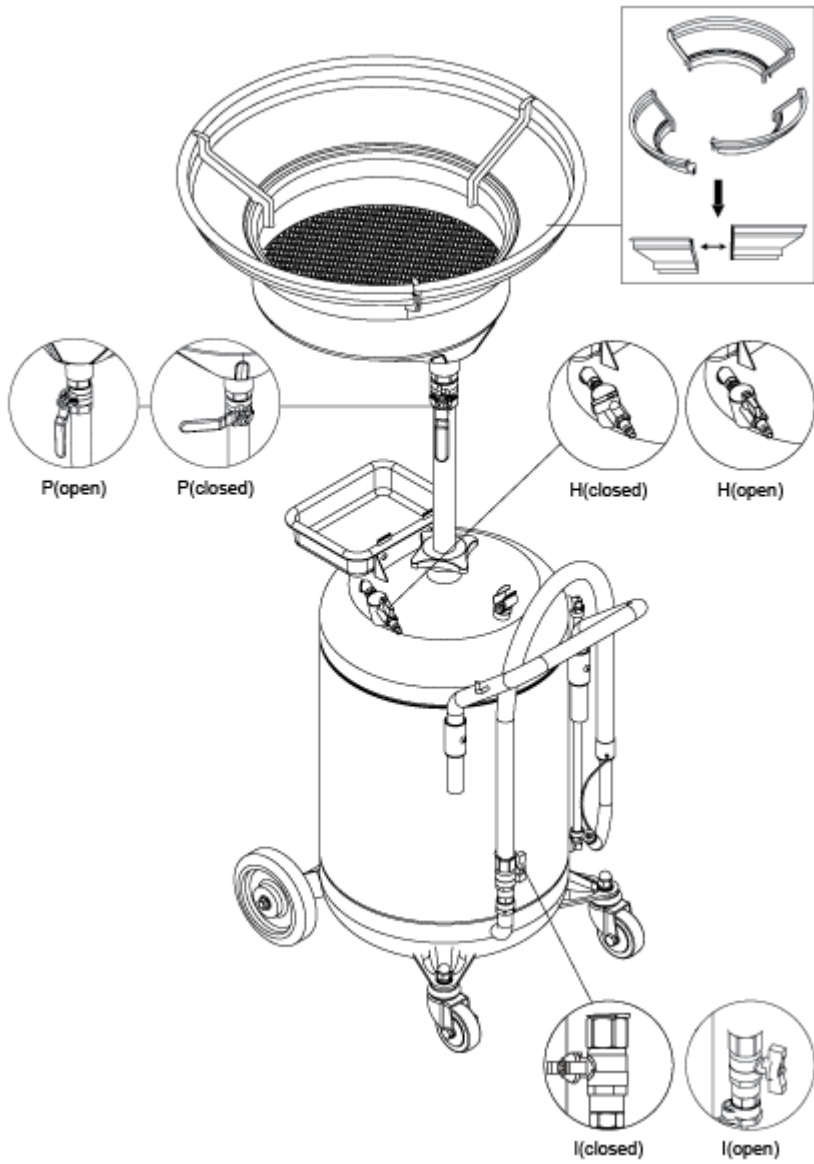
Main Parts of Oil Drain



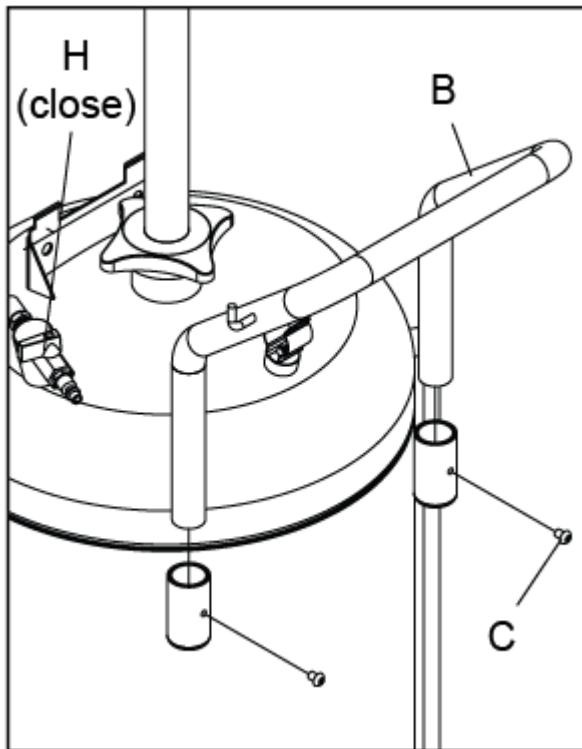
Part No.	Description	Quantity	Part No.	Description	Quantity
1	Oil collecting bowl assembly	1	5	Ball valve	1
2	Reservoir	1	6	Quick plug	1
3	Tool tray	1	7	Discharging hose assembly	1
4	Safety valve	1			

Assembly Instructions

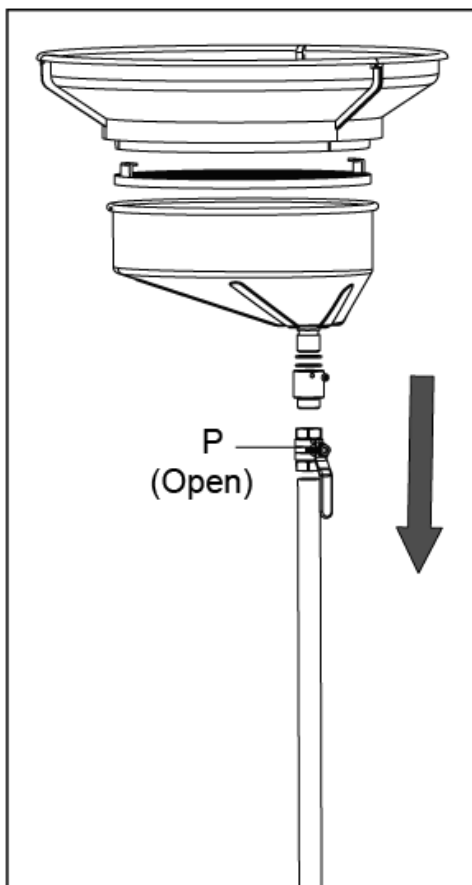
Insert the tube (N) into the reservoir, then turn the hand wheel (O) clockwise and tighten.



Assemble the handle (B) and the air inlet fitting. Turn off the ball valve (H).



Assemble the supporting tube, ball valve (P), oil collecting bowl, filtrating plank, and extension funnel orderly.



Before Each Use

⚠WARNING

- Always wear the proper personal protective gear including ANSI Z87.1 compliant safety goggles and heat-resistant rubber gloves when using this product.
- Use only on a dry, clean, level surface capable of supporting the weight of the vehicle.
- Engine exhaust contains carbon monoxide; an odorless, invisible gas that can cause injury or death. Do not run the vehicle's engine while using this product.
- Never work under a vehicle without the proper support devices. An incorrectly supported vehicle can tilt or fall and cause injury or death.
- Check for damaged parts before each use. Carefully check that the product will operate properly and perform its intended function. Replace damaged or worn parts immediately. Never operate the product with a damaged part.
- Hot oil can cause severe burns. Allow the engine oil to cool down completely before pumping the oil.

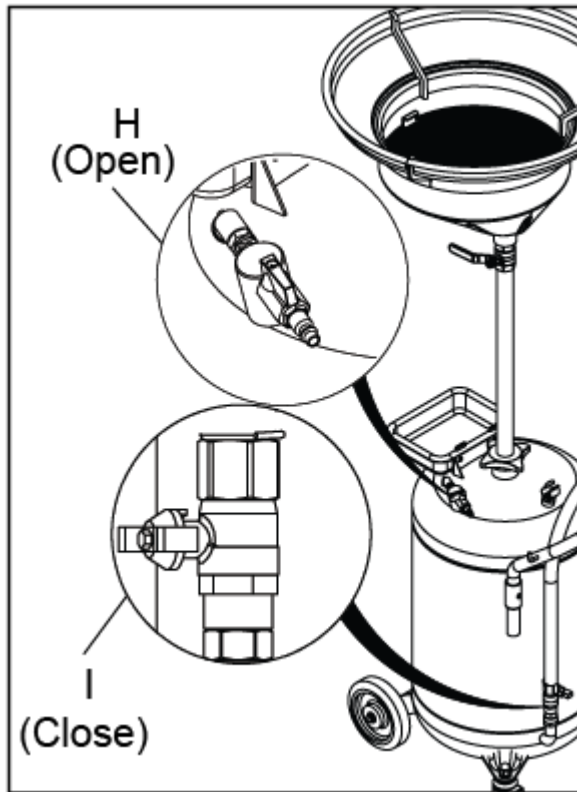
Operating Instructions

⚠WARNING

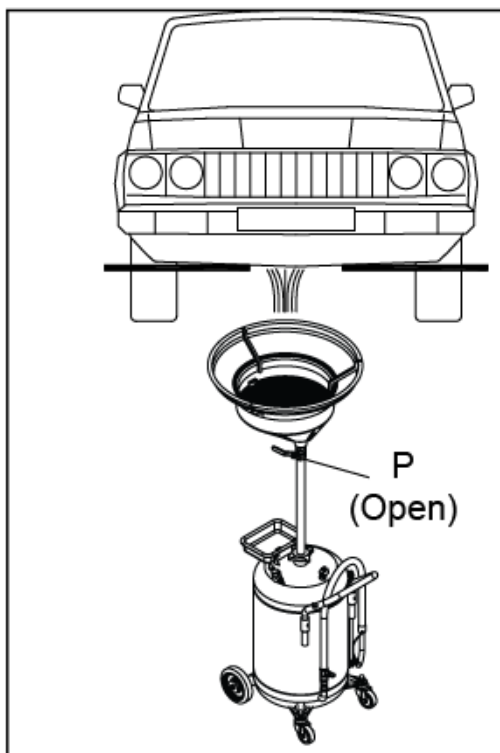
- Use only on a dry, clean, level surface capable of supporting the weight of the vehicle.
- Engine exhaust contains carbon monoxide; an odorless, invisible gas that can cause injury or death. Do not run the vehicle's engine while using this product.
- Never work under a vehicle without the proper support devices. An incorrectly supported vehicle can tilt or fall and cause injury or death.
- Do not exceed the maximum rated pressure.
- Do not use to pump water or any other liquid other than oil.
- Fire hazard. Flame or heat sources may ignite oil resulting in fire, injury or death. Never use or store this product near open flames or other heat sources.
- Do not use with corrosive or flammable fluids.
- Not for use by or around children.

Collecting

Close all the valves (P, H, and I). Turn on the valve (H) and the valve (P) .

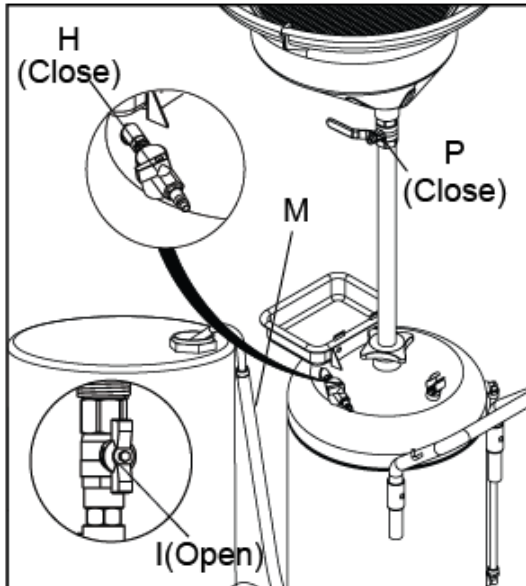


Place the oil drainer under the car to collect the waste oil. Turn on the valve (P).

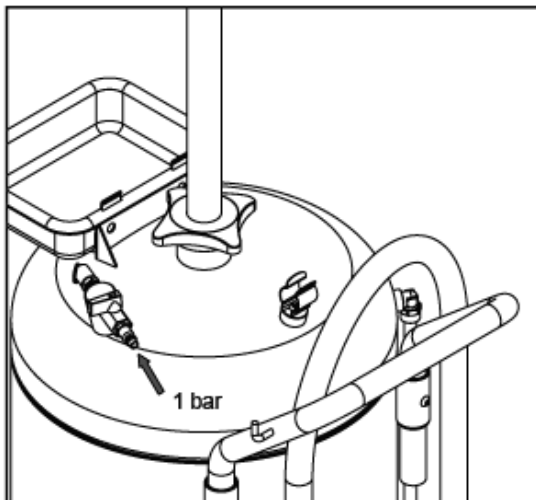


Draining

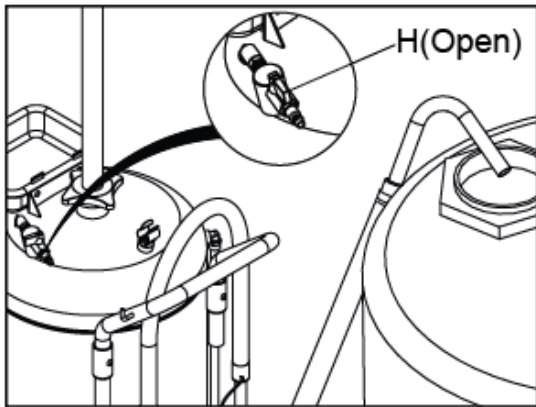
Close all the valves (P, H, and I), place the spout (M) into the waste oil tank, and open the valve (I).



Connect the air supply.



Open the valve (H) for draining.



After Each Use

⚠WARNING

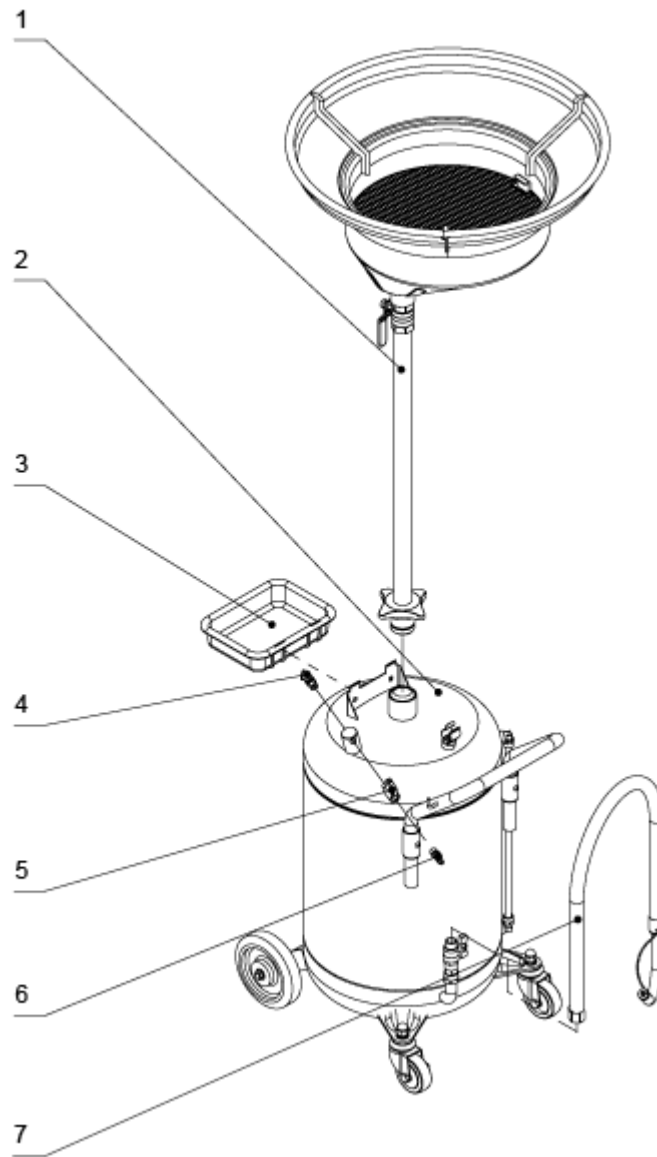
- Store the equipment in a dry place with good ventilation. Do not expose it to excessive heat, humidity or sunlight. Never let it touch any corrosive substances.
- Used engine oil is toxic and should be properly disposed of or recycled.

Maintenance

Maintain the product by adopting a program of conscientious repair and maintenance in accordance with the following recommended procedures. It is recommended that the general condition of any tool be examined before it is used. Keep your tool in good repair. Keep handles dry, clean, and free from oil and grease. Also refer to the engine manufacturer's instruction manual for additional information about engine maintenance. The following chart is based on a normal operation schedule.

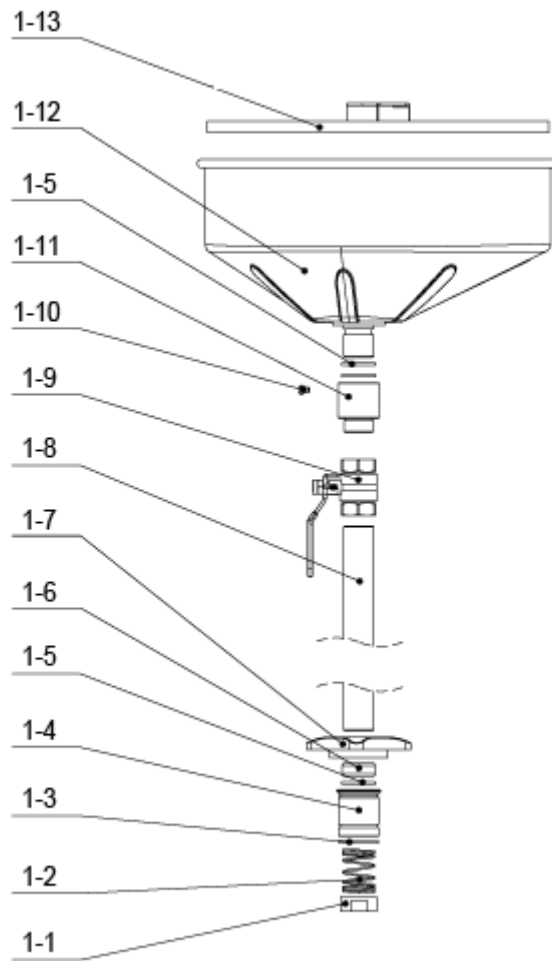
Maintenance Interval	Maintenance Point
Daily before operating:	Clean the unit. Use only soap and a damp cloth to clean the oil drain. Many household cleaners are harmful to plastics and other insulation.

Parts Diagram



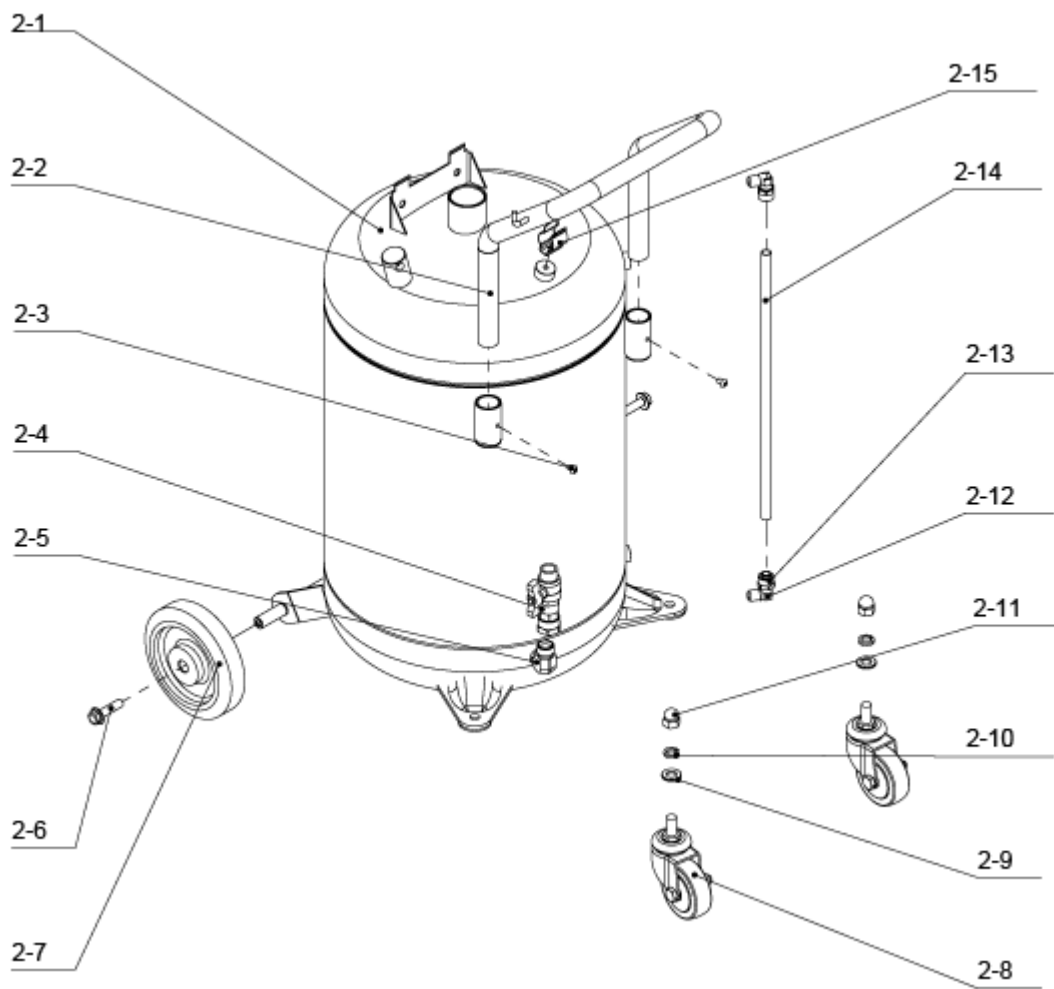
Parts List

Part No.	Description	Qty.	Part No.	Description	Qty.
1	Oil collecting bowl assembly	1	5	Ball valve	1
2	Reservoir	1	6	Quick plug	1
3	Tool tray	1	7	Discharging hose assembly	1
4	Safety valve	1			



Part No.	Description	Qty.	Part No.	Description	Qty.
1-1	Check nut	1	1-8	Supporting tube	1
1-2	Compression spring	1	1-9	Ball valve	1
1-3	O-ring	2	1-10	Nut	1
1-4	Sealing bush	1	1-11	Retainer sleeve	1
1-5	O-ring	4	1-12	Oil collecting bowl	1
1-6	Expansion cover	1	1-13	Filtrating plank	1
1-7	Hand wheel	1			

Part No.	Description	Qty.	Part No.	Description	Qty.
2-1	Reservoir assembly	1	2-9	Spring washer	2
2-2	Handle	1	2-10	Gasket	2
2-3	Screw	3	2-11	Nuts	2
2-4	Butterfly valve	1	2-12	Elbow	2
2-5	Swivel fitting	1	2-13	Nut	2
2-6	Bolts	2	2-14	Tube with label	1
2-7	Wheel	2	2-15	Clip	1
2-8	Caster	2			



Replacement Parts

- For replacement parts and technical questions, please call Customer Service at 1-800-222-5381.
- Not all product components are available for replacement. The illustrations provided are a convenient reference to the location and position of parts in the assembly sequence.
- When ordering parts, the following information will be required: item description, item model number, item serial number/item lot date code, and the replacement part reference number.
- The distributor reserves the rights to make design changes and improvements to product lines and manuals without notice.

Limited Warranty

Northern Tool and Equipment Company, Inc. ("We" or "Us") warrants to the original purchaser only ("You" or "Your") that the Roughneck product purchased will be free from material defects in both materials and workmanship, normal wear and tear excepted, for a period of **one year** from date of purchase. The foregoing warranty is valid only if the installation and use of the product is strictly in accordance with product instructions. There are no other warranties, express or implied, including the warranty of merchantability or fitness for a particular purpose. If the product does not comply with this limited warranty, Your sole and exclusive remedy is that We will, at our sole option and within a commercially reasonable time, either replace the product or product component without charge to You or refund the purchase price (less shipping). This limited warranty is not transferable.

Limitations on the Warranty

This limited warranty does not cover: (a) normal wear and tear; (b) damage through abuse, neglect, misuse, or as a result of any accident or in any other manner; (c) damage from misapplication, overloading, or improper installation; (d) improper maintenance and repair; and (e) product alteration in any manner by anyone other than Us, with the sole exception of alterations made pursuant to product instructions and in a workmanlike manner.

Obligations of Purchaser

You must retain Your product purchase receipt to verify date of purchase and that You are the original purchaser. To make a warranty claim, contact Us at 1-800-222-5381, identify the product by make and model number, and follow the claim instructions that will be provided. The product and the purchase receipt must be provided to Us in order to process Your warranty claim. Any returned product that is replaced or refunded by Us becomes our property. You will be responsible for return shipping costs or costs related to Your return visit to a retail store.

Remedy Limits

Product replacement or a refund of the purchase price is Your sole remedy under this limited warranty or any other warranty related to the product. We shall not be liable for: service or labor charges or damage to Your property incurred in removing or replacing the product; any damages, including, without limitation, damages to tangible personal property or personal injury, related to Your improper use, installation, or maintenance of the product or product component; or any indirect, incidental or consequential damages of any kind for any reason.

Assumption of Risk

You acknowledge and agree that any use of the product for any purpose other than the specified use(s) stated in the product instructions is at Your own risk.

Governing Law

This limited warranty gives You specific legal rights, and You also may have other rights which vary from state to state. Some states do not allow limitations or exclusions on implied warranties or incidental or consequential damages, so the above limitations may not apply to You. This limited warranty is governed by the laws of the State of Minnesota, without regard to rules pertaining to conflicts of law. The state courts located in Dakota County, Minnesota shall have exclusive jurisdiction for any disputes relating to this warranty.



Distributed by:

Northern Tool & Equipment Company, Inc.

Burnsville, Minnesota 55306

www.northerntool.com

Made in China