



M5709810A.1

KIT NUMBER: 5709810, 5709828
SERIAL NUMBER: _____

Owner's Manual

Instructions for Installation of Generator Lifting Hook Kit

KIT #	FOR USE ON NORTHSTAR ITEM:
5709810	1654400, 1654402, 1654403
5709828	1654404, 1654405, 1654406, 1654407

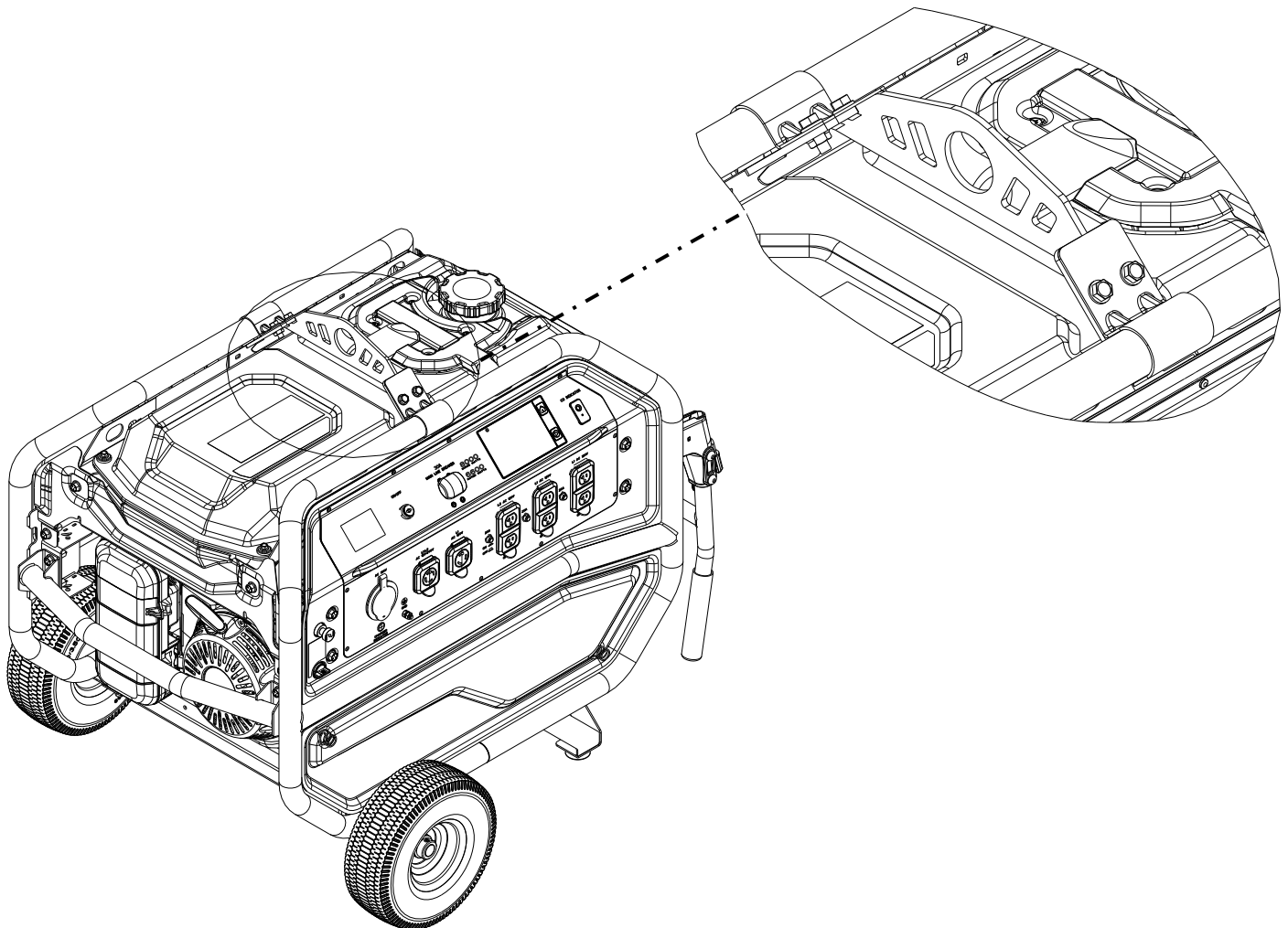


Table of Contents

Table of Contents 2

Hazard Signal Word Definitions..... 3

Kit Component Identification 4

Safety Information for Lifting Hook..... 5

Lifting Hook Installation 6

Warranty Information 7

Any Questions, Comments, Problems, or Parts Orders
Call NorthStar Product Support 1-800-270-0810

Hazard Signal Word Definitions






	<p>This is the safety alert symbol. It is used to alert you to potential personal injury hazards. Obey all safety messages that follow this symbol to avoid possible injury or death.</p>
	<p>DANGER (red) indicates an imminently hazardous situation which, if not avoided, will result in death or serious injury.</p>
	<p>WARNING (orange) indicates a potentially hazardous situation which, if not avoided, could result in death or serious injury.</p>
	<p>CAUTION (yellow) indicates a potentially hazardous situation which, if not avoided, may result in minor or moderate injury.</p>
	<p>CAUTION (yellow) used without the safety alert symbol indicates a potentially hazardous situation which, if not avoided, may result in property damage.</p>

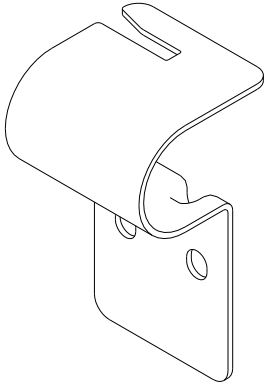
fig01453

Kit Component Identification

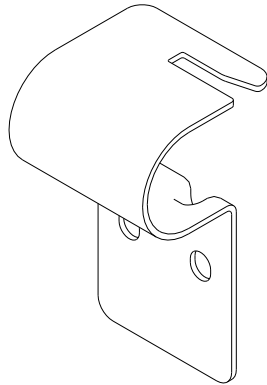
Unpacking the Kit:

Note: Items in this section are found in the Kit Package.

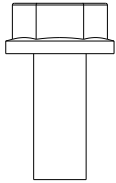
Common For All Generators



804928 (Qty 1)
Retainer, Left side.



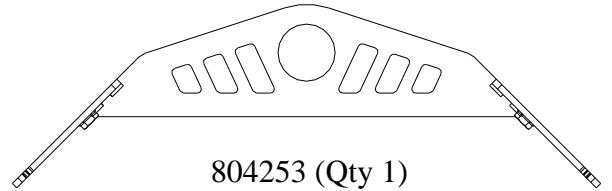
804248 (Qty 1)
Retainer, Right side



82015 (Qty 4)
5/16-18 X 3/4" Bolt

For 1654400, 1654402, 1654403

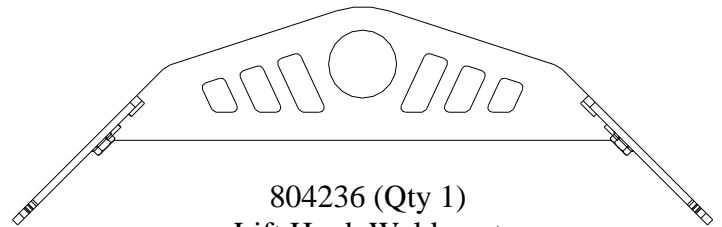
Kit # 5709810



804253 (Qty 1)
Lift Hook Weldment
(Small)

For 1654404, 1654405, 1654406, 1654407

Kit # 5709828



804236 (Qty 1)
Lift Hook Weldment
(Large)

Upon receiving, check item for missing or damaged parts.

- For missing or damaged components, please contact Product Support at 1-800-270-0810.

Safety Information for Lifting Hook

WARNING

- Failure to properly connect lifting cables, chains or straps can cause property damage, serious injury or death, and void the manufacturer's warranty.
- Never operate generator while suspended. This could cause property damage, serious injury or death.
- DO NOT suspend objects other than generator from lifting hook.
- Make sure all fasteners in frame and lifting hook are tight.
- Never walk or stand under a suspended generator. Impact from a falling generator could result in severe injury or death.
- Inspect lifting hook parts for damage before each use. Failure to do so could result in property damage, serious injury, or death.

NOTICE: Make sure the generator is in a level position before raising or suspending to prevent damage.

CAUTION

- Use appropriate lifting equipment such as slings, chains, hooks, ramps, or jacks.
- Make sure lifting equipment is attached securely and has enough weight-bearing capacity to lift or hold the machine safely. Please refer the generator product owner's manual for weight information.

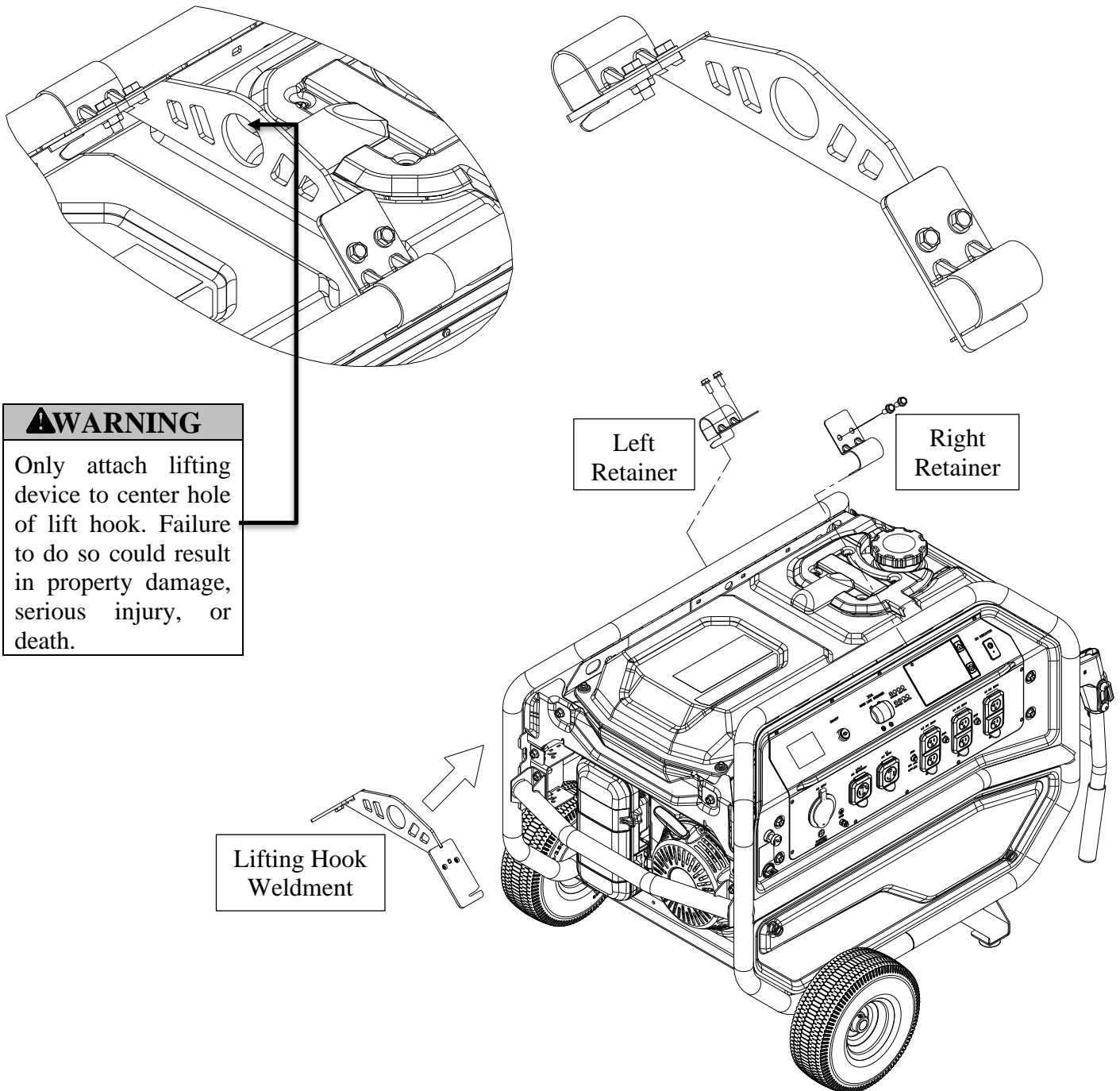
Lifting Hook Installation

Procedure:

- First insert left and right retainers into the cutouts at the center of frame as shown.
- Then slide the lifting hook weldment as shown into the interlocking position against both retainers.
- Ensure retainers and lifting hook weldment mounting holes are aligned, then secure using (4) 5/16-18 bolts with **17ft-lbs** torque.

Tools Needed

- 1/2" wrench
- Torque wrench



Dear Valued Customer:

The NorthStar Product you just purchased is built with the finest material and craftsmanship. Use this product properly and enjoy the benefits from its high performance. By purchasing a NorthStar product, you show a desire for quality and durability.

Like all mechanical equipment this unit requires a due amount of care. Treat this unit like the high quality piece of machinery it is. Neglect and improper handling may impair its performance. Please thoroughly read the instructions and understand the operation before using your product.

Limited Warranty

NorthStar shall warranty any piece of equipment manufactured, or parts of equipment manufactured, to be free from defects in material or workmanship for a period of 1 year from the date of purchase by user. This warranty applies to the original purchaser of the equipment and is non-transferable. Verification of purchase is the responsibility of the buyer. Parts will be replaced or repaired at no charge, except when the equipment has failed due to lack of proper maintenance. Any misuse, abuse, alteration or improper installation or operations will void warranty. Determining whether a part is to be replaced or repaired is the sole decision of NorthStar.

NOTE: Some services performed by parties other than NorthStar may void warranty.

This warranty covers parts only. It will not provide for replacement of complete products due to defective parts. Components not manufactured by NorthStar such as engines are guaranteed by their manufacturer and can be serviced at factory-authorized locations near you. Any costs incurred due to replacement or repair of items outside of a NorthStar approved facility is the responsibility of the buyer and not covered under warranty. NorthStar can supply you with the service center location in your area.

This warranty specifically excludes the following: failure of parts due to damage caused by accident, fire, flood, windstorm, acts of God, applications not approved by NorthStar in writing, corrosion caused by chemicals, use of replacement parts which do not conform to manufacturer's specifications, and damage caused by vandalism. Additional exclusions: loss of running time, inconvenience, loss of income, or loss of use, including any implied warranty of merchantability of fitness for a specific use.

Warranty does not cover items subject to normal wear such as tires, receptacles, or any part subject to direct physical contact by the public. This warranty does not cover any personal injury or damage to surrounding property caused by failure of any part.

This warranty is in lieu of any other warranty expressed or implied and NorthStar assumes no other responsibility or liability outside that expressed within this warranty.

Please fill in the following information and have it on hand when you call in a warranty claim.

Customer Number: _____

Date of Purchase: _____

NorthStar Serial Number: _____

Item Number: _____



Distributed by:
Northern Tool & Equipment Company, Inc.
Burnsville, MN 55306
NorthernTool.com

Assembled in Mexico with foreign components