



Single COB LED Solar-Powered Motion Security Light

Owner's Manual



⚠ WARNING: Read carefully and understand all ASSEMBLY AND OPERATION INSTRUCTIONS before operating. Failure to follow the safety rules and other basic safety precautions may result in serious personal injury.

Item #56910

SAVE THESE INSTRUCTIONS

Thank you very much for choosing an Ironton™ product!

For future reference, please complete the owner's record below:

Serial Number/Lot Date Code: _____

Purchase Date: _____

Save the receipt, warranty, and this manual. It is important that you read the entire manual to become familiar with this product before you begin using it.

This solar-powered light is designed for certain applications only. Northern Tool & Equipment is not responsible for issues arising from modification or improper use of this product such as an application for which it was not designed. We strongly recommend that this product not be modified and/or used for any application other than that for which it was designed.

For technical questions, please call **1-800-222-5381**.

Table of Contents

Intended Use.....4

Technical Specifications4

Important Safety Information4

Assembly Instructions.....5

Before Each Use.....6

Operating Instructions.....6

Maintenance7

Troubleshooting.....8

Parts Diagram.....9

Parts List.....9

Replacement Parts10

Limited Warranty.....11

Intended Use

The Ironton Single COB LED Solar-Powered Motion Security Light delivers brilliant illumination and the convenience of motion activation. Installation is easy with no wiring required, allowing you to place this weather-proof light anywhere. Motion detected within a 40 foot range automatically triggers the light. The amorphous solar panel charges the rechargeable battery even in low light conditions.

Technical Specifications

Property	Specification
Lumen	500
Number of LEDs	1 COB LED
Motion Sensor Distance and Range	40 feet and 120 degrees

Important Safety Information

⚠WARNING

- Read and understand all instructions. Failure to follow all instructions may result in serious injury or property damage.
- The warnings, cautions, and instructions in this manual cannot cover all possible conditions or situations that could occur. Exercise common sense and caution when using this tool. Always be aware of the environment and ensure that the tool is used in a safe and responsible manner.
- Do not allow persons to operate or assemble the product until they have read this manual and have developed a thorough understanding of how it works.
- Do not modify this product in any way. Unauthorized modification may impair the function and/or safety and could affect the life of the product. There are specific applications for which the product was designed.
- Use the right tool for the job. DO NOT attempt to force small equipment to do the work of larger industrial equipment. There are certain applications for which this equipment was designed. It will be a safer experience and do the job better at the capacity for which it was intended. DO NOT use this equipment for a purpose for which it was not intended.
- Industrial or commercial applications must follow OSHA requirements.

⚠WARNING

WORK AREA SAFETY

- Inspect the work area before each use. Keep work area clean, dry, free of clutter, and well-lit. Cluttered, wet, or dark work areas can result in injury. Using the solar powered light in confined work areas may put you dangerously close to other cutting tools and rotating parts.
- Do not use the solar powered light where there is a risk of causing a fire or an explosion; e.g., in the presence of flammable liquids, gases, or dust. The product can create sparks, which may ignite the flammable liquids, gases, or dust.
- Keep children and bystanders away from the work area while operating. Do not allow children to

handle the solar powered light.

- Be aware of all power lines, electrical circuits, water pipes, and other mechanical hazards in your work area. Some of these hazards may be hidden from your view and may cause personal injury and/or property damage if contacted.

⚠WARNING

PERSONAL SAFETY

- Stay alert, watch what you are doing, and use common sense when operating the tool. Do not use the tool while you are tired or under the influence of drugs, alcohol, or medication. A moment of inattention while operating the tool may result in serious personal injury.
- Dress properly. Do not wear loose clothing, dangling objects, or jewelry. Keep your hair, clothing and gloves away from moving parts. Loose clothes, jewelry, or long hair can be caught in moving parts. Air vents on the tool often cover moving parts and should be avoided.
- Wear the proper personal protective equipment when necessary. Use ANSI Z87.1 compliant safety goggles (not safety glasses) with side shields, or when needed, a face shield. Use a dust mask in dusty work conditions. Also use non-skid safety shoes, hardhat, gloves, dust collection systems, and hearing protection when appropriate. This applies to all persons in the work area.
- Do not overreach. Keep proper footing and balance at all times.
- Ensure the power switch is off prior to plugging in the tool.

⚠CAUTION

LIGHT USE AND CARE

- Do not use a product with a malfunctioning switch. Any power tool that cannot be controlled with the power switch is dangerous and must be repaired by an authorized service representative before using.
- Disconnect the power/air supply from the product and place the switch in the locked or off position before making any adjustments, changing accessories, or storing the tool. Such preventive safety measures reduce the risk of starting the tool accidentally.
- Use only accessories that are recommended by the manufacturer for use with your product. Accessories that may be suitable for one product may create a risk of injury when used with another tool. Never use an accessory that has a lower operating speed or operating pressure than the tool itself.

Assembly Instructions

1. Lamp Unit Installation

- Mounting your light requires a screwdriver, pencil, and (in some circumstances) a power drill.
- Place the mounting bracket on the surface you wish to mount to.
- Mark with a pencil the position of the mounting bracket screw holes. This will enable you to pre-drill your screw holes.
- Once the mounting bracket is installed, ensuring all screws are tight, you are ready to position your light.
- Carefully route the wire from the solar panel to the lamp and plug it into the power socket.

- Adjust the motion sensor to your desired position. Your light is now installed and ready to charge.

Note: The lamp unit should be mounted 6.5 ~ 9.8 feet from the ground to ensure motion detection is optimized.

2. Solar Panel Wall or Roof Mounted Installation

- Choose an area that receives the maximum amount of sunlight possible.
- Use the holes located on the solar panel mounting bracket to mark the mounting surface for installation.
- Set the bracket on the surface you have chosen and secure it in place with the screws and anchors provided.
- Adjust the angle of the solar panel to ensure it receives optimum sunlight.

Note: The solar panel is equipped with a 15 foot wire. The maximum distance between the lamp unit and solar panel can be 15 feet.

Before Each Use

⚠WARNING

Solar lights require sunlight to function properly. Extended periods of cloudy weather will cause shorter run-times. Shade on the solar panel is to be avoided. The solar panel may be cleaned with a clean damp cloth. Do not use soap, solvents, or abrasives.

A regular visual inspection is recommended. Ensure the solar panel is free from debris and in a location where it will receive several hours of sunlight each day. Ensure the light is facing the desired direction and that there are no nearby alternate light sources that may interfere with the motion sensor.



Operating Instructions

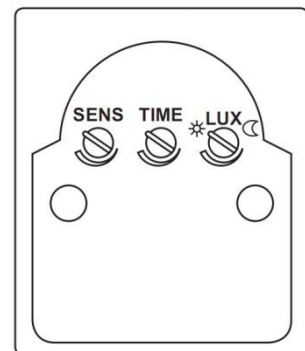
1. Before the Solar Motion Light can operate to its full capacity, allow the unit to charge in sunlight for 3 days with the solar panel wire connected to the light. Charging should be done with the unit in the "OFF" position.
2. Located at the bottom of the Battery Housing there is an OFF/AUTO/ON switch:
 - "AUTO" position, the light will turn on automatically when motion is detected.
 - "ON" position, the light can be used as a standard light for constant illumination.
 - "OFF" position, the light will remain off and will not detect any movement.

How to Use Control Dials

The Solar Motion Light has 3 dials which control the light's duration, sensitivity to light, and sensitivity to motion.

LUX (Light Level)

The LUX dial adjusts the sensitivity to darkness. If set to the maximum  level, the light will go on in daylight. If set to the minimum level , the sensor will only trigger the light to turn on at dusk or when it is dark out. This is the ideal position for general usage. Please note that ambient light will affect the sensor.



Time

The TIME dial sets the duration the light will stay on when triggered. The duration is adjustable from 5 seconds to 2 minutes. Rotating the dial clockwise will increase the duration the light will stay on.



SENS (Sensitivity)

The SENS dial adjusts the sensitivity of motion detection:

1. Minimum position – Low Range: large movement is required to trigger the light to turn on.
2. Mid Position - Medium setting.
3. Maximum position - Maximum range: the smaller movements will trigger the light to turn on.

Location of Solar Light

Solar powered lights require sunlight to recharge the internal batteries. For best results, locate the solar panel in a position where it will receive direct sunlight, and is generally free from cover and shade.



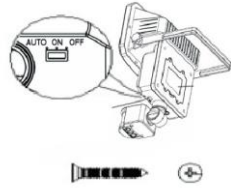
Maintenance

Maintain the solar powered light by adopting a program of conscientious repair and maintenance in accordance with the following recommended procedures

Maintenance Interval	Maintenance Point
First Use	<p>Allow the solar panel to charge the light for two sunny days.</p> <p>Observe the solar panel once installed for one day. Ensure that it is not shaded at any time during daylight.</p> <p>Observe the light once installed during the evening. Ensure there is no alternate light source that will interfere with the light's sensors.</p>
Seasonally	<p>Visually inspect the solar panel and light to ensure both are clear of debris and dirt.</p> <p>Observe the solar panel during one sunny day to ensure that as the sun's position has changed in the sky, the solar panel is still receiving optimal sunlight throughout the day.</p>
During the Winter	<p>Check the solar panel. Ice should not be allowed to form on the solar panel as the freezing can damage waterproof seals.</p> <p>Adjust the angle of the solar panel to the sun's lower position in the sky. This will maximize the amount of sunlight received and help allow any water or snow that accumulates on the panel to slide off.</p>

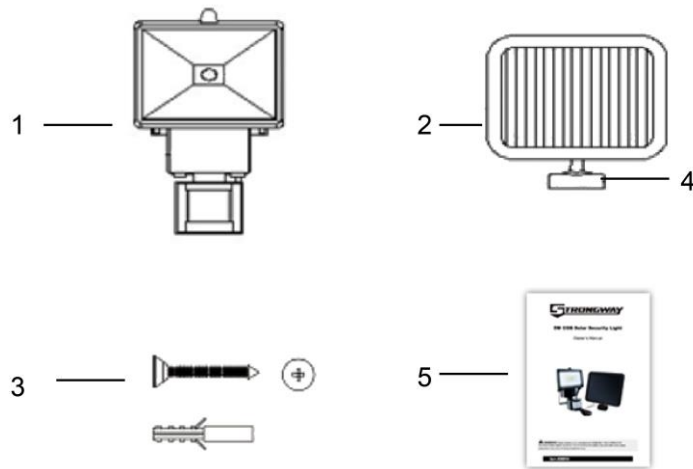
Troubleshooting

Use the following table to troubleshoot problems before contacting service personnel or your local dealer. If the problem continues after troubleshooting, call your local dealer for assistance.

Failure	Possible Cause	Corrective Action
Light does not turn on	Batteries are not charged.	Ensure the solar panel is in a location where it will receive maximum sunlight during daytime hours. Turn the light to the OFF position and allow the solar panel to charge the batteries for two sunny days.
		Clean the solar panel with a clean damp cloth.
	Switch is in wrong position	Move the switch to the AUTO position.
	Rechargeable batteries are at the end of their life.	<p>Replace the batteries with new rechargeable batteries of the same type and size.</p>  <p>Battery Replacement:</p> <ol style="list-style-type: none"> Batteries are located in the battery housing located at the back of the lamp. Remove screws from front of the battery housing to access batteries. Replace batteries with rechargeable batteries of the same type and rating. Reassemble the battery housing.
Sensor is malfunctioning.	<p>Reset the Sensor:</p> <ol style="list-style-type: none"> Take the light into a dark room and then switch to Auto. Activate the motion sensor in the dark. Once the light turns on, the sensors are reset. Wait until the light turns off before returning the product to a lit room or area. 	
Light does not stay on as long as it previously did or it flashes	Batteries are not fully charged.	Ensure the solar panel is in a location where it will receive maximum sunlight during daytime hours.

Failure	Possible Cause	Corrective Action
		Turn the light to the OFF position and allow the solar panel to charge the batteries for two sunny days
	Solar panel is not receiving enough sunlight and not able to recharge batteries.	Clean the solar panel with a clean damp cloth.
	It is winter and there is not as much sunlight as during summer, and the solar panel is not able to recharge the batteries	Ensure the solar panel is located in a place where it will receive the maximum amount of sunlight during the day. Remove any object that throws shade on the solar panel. Tilt the solar panel so that it is perpendicular to the sun.

Parts Diagram



Parts List

Reference	Part Description	Quantity
1	Lamp	1
2	Solar Panel	1
3	Screws and Anchors (pack)	1
4	Mounting Bracket	1
5	Manual	1

Replacement Parts

- For replacement parts and technical questions, please call Customer Service at **1-800-222-5381**.
- Not all product components are available for replacement. The illustrations provided are a convenient reference to the location and position of parts in the assembly sequence.
- When ordering parts, the following information will be required: item description, item model number, item serial number/item lot date code, and the replacement part reference number.
- The distributor reserves the rights to make design changes and improvements to product lines and manuals without notice.

Limited Warranty

Northern Tool and Equipment Company, Inc. ("We" or "Us") warrants to the original purchaser only ("You" or "Your") that the Ironton product purchased will be free from material defects in both materials and workmanship, normal wear and tear excepted, for a period of one year from date of purchase. The foregoing warranty is valid only if the installation and use of the product is strictly in accordance with product instructions. There are no other warranties, express or implied, including the warranty of merchantability or fitness for a particular purpose. If the product does not comply with this limited warranty, Your sole and exclusive remedy is that We will, at our sole option and within a commercially reasonable time, either replace the product or product component without charge to You or refund the purchase price (less shipping). This limited warranty is not transferable.

Limitations on the Warranty

This limited warranty does not cover: (a) normal wear and tear; (b) damage through abuse, neglect, misuse, or as a result of any accident or in any other manner; (c) damage from misapplication, overloading, or improper installation; (d) improper maintenance and repair; and (e) product alteration in any manner by anyone other than Us, with the sole exception of alterations made pursuant to product instructions and in a workmanlike manner.

Obligations of Purchaser

You must retain Your product purchase receipt to verify date of purchase and that You are the original purchaser. To make a warranty claim, contact Us at 1-800-222-5381, identify the product by make and model number, and follow the claim instructions that will be provided. The product and the purchase receipt must be provided to Us in order to process Your warranty claim. Any returned product that is replaced or refunded by Us becomes our property. You will be responsible for return shipping costs or costs related to Your return visit to a retail store.

Remedy Limits

Product replacement or a refund of the purchase price is Your sole remedy under this limited warranty or any other warranty related to the product. We shall not be liable for: service or labor charges or damage to Your property incurred in removing or replacing the product; any damages, including, without limitation, damages to tangible personal property or personal injury, related to Your improper use, installation, or maintenance of the product or product component; or any indirect, incidental or consequential damages of any kind for any reason.

Assumption of Risk

You acknowledge and agree that any use of the product for any purpose other than the specified use(s) stated in the product instructions is at Your own risk.

Governing Law

This limited warranty gives You specific legal rights, and You also may have other rights which vary from state to state. Some states do not allow limitations or exclusions on implied warranties or incidental or consequential damages, so the above limitations may not apply to You. This limited warranty is governed by the laws of the State of Minnesota, without regard to rules pertaining to conflicts of law. The state courts located in Dakota County, Minnesota shall have exclusive jurisdiction for any disputes relating to this warranty.



Distributed by:

Northern Tool & Equipment Company, Inc.

Burnsville, Minnesota 55306

www.northerntool.com

Made in China