



500 Lumen LED Motion Solar Security Light

Model: Z500-7B/Z500-7W



Please read all instructions thoroughly and carefully prior to installing this product.

Retain these instructions for future reference.

Keystone Group assumes no liability or responsibility for claims arising from improper installation or improper use.

For questions in regard to the warranty of this product, contact us at 303.652.6164 or email us at info@keystonegroupusa.com

The batteries in this unit can be replaced. Please use Li Ion Battery # 18650 3.7v Rechargeable Battery for replacement.

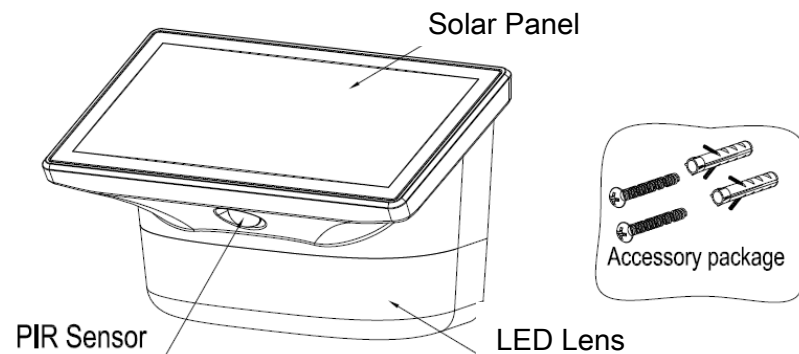
Installation Instructions

**** Allow the solar light to charge for one full day prior to use. ****

Description	Quantity
Light Fixture	1
Stainless Steel Screw	2
Wall Anchor (optional)	2
Wall Bracket	1

Tools Required for Installation:

Phillips screw driver and level



MOUNTING THE SOLAR LIGHT

The solar light has an easy mount system. The light will mount in three easy steps.

Step 1: Drill pilot holes for the mounting bracket on desired wall. Use a level to ensure the wall bracket is straight.

Step 2: Screw the mounting bracket to the wall using the two screws provided. You can use the optional mounting anchors included to secure the bracket to the wall (see Figure 1). (Mounting anchors are optional and not needed if screwed into wood)

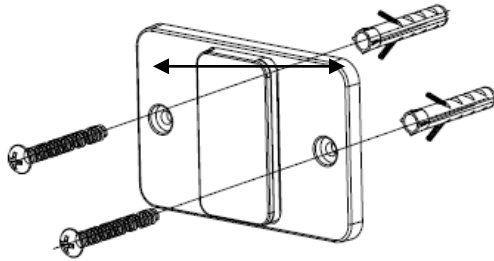


Figure 1

Step 3: Slide the light onto the mounting bracket as shown in Figure 2. The light should slide onto the bracket as shown in Figure 3.

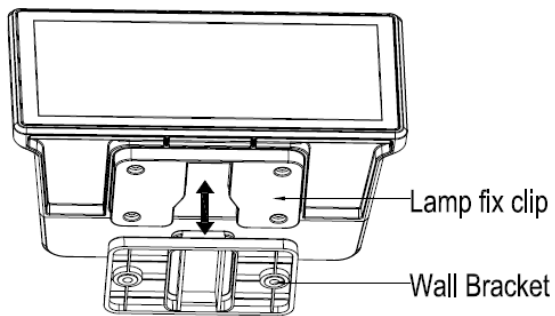


Figure 2

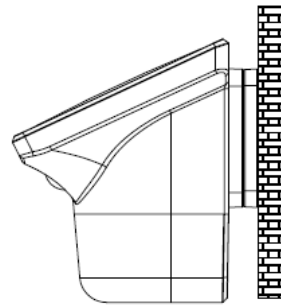
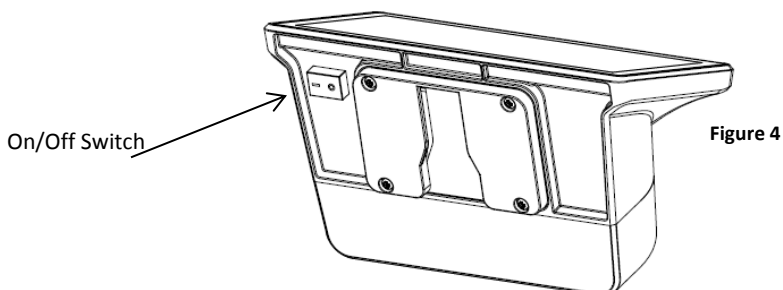


Figure 3 (Wall Mount View)

This solar light has a maximum motion detection range of 20 feet and has a motion detection angle of 140°.

The motion light will remain on for approximately 45 seconds after motion is detected.

The solar light has an on/off switch on the back of the light. To manually turn off the light, use the override switch. (See Figure 4).



BATTERY REPLACEMENT

To replace the battery in the solar light remove the light from the mounting bracket.

Step 1: Unscrew the four screws on the back of the light (See Figure 5), and remove cover.

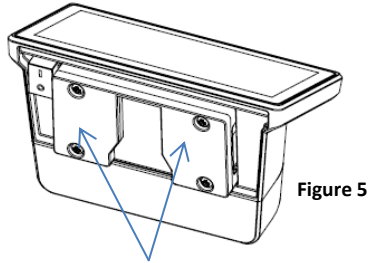


Figure 5

Unscrew (4) screws

Step 2: Remove battery and replace with new battery (See Figure 6). (**Note:** Please use Li Ion Battery # 18650 3.7v Rechargeable Battery for replacement)

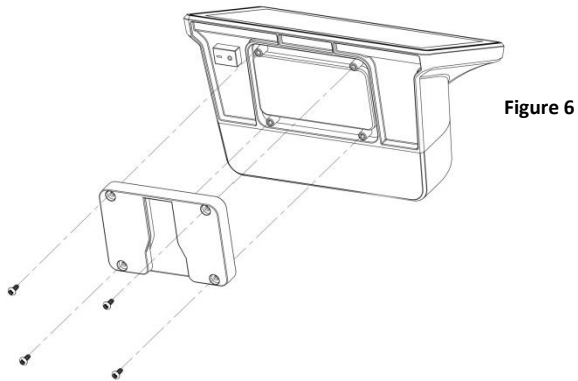


Figure 6

Step 3: Replace battery cover and screw back in the four screws (See Figure 7). Re-hang light.

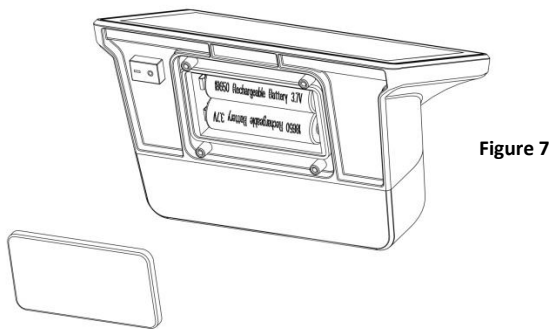


Figure 7

TROUBLE SHOOTING

Problem	Possible Cause	Possible Correction
Light does not come on	<ol style="list-style-type: none"> 1. Too bright (too much ambient light) 2. Battery is dead 3. Solar Panel Blocked 4. On/Off switch is in the 'Off' position 	<ol style="list-style-type: none"> 1. Cover light and see if the light triggers on 2. Change battery 3. Make sure solar panel is not blocked 4. Switch the power button to 'On' position
Light goes on and off continuously	Light is sensing reflection	Relocate light to area where it cannot sense reflections.
Light stays on	Area is too shaded	Shine a light into the photo cell, if the light turns off relocate light to less shaded area.
Light will not turn on	On/Off Switch in 'Off' position	Switch the power button to the 'On' position

PRODUCT MAINTENANCE

To clean the surface of the light, use mild soap and water. Do not use scouring pads, powders, steel wool or any other abrasive materials.

For any further questions please contact us at 855.652.6164 Monday through Friday 7am to 4pm Mountain Time.

PRODUCT WARRANTY

This product is guaranteed against failure due to factory defects in materials or workmanship for two (2) years from the date of purchase. This warranty is non-transferable and applies only to the original owner. Proof of purchase is required for repair or replacement. This warranty does not cover normal wear of parts or damage resulting from any misuse of the product. Misuse of the product includes, but is not limited to: washing the product, using in extreme weather conditions, opening the product, or trying to remodel the product. Important: this warranty is only valid if the product has been purchased through an authorized reseller.

a Keystone Group product