



# 4400-Lb. Capacity Pallet Jack

## OWNER'S MANUAL



### **WARNING:**

Read carefully and understand all ASSEMBLY AND OPERATION INSTRUCTIONS before operating. Failure to follow the safety rules and other basic safety precautions may result in serious personal injury.

**Item# 55833**

Thank you very much for choosing a Strongway™ product. For future reference, please complete the owner's record below:

Serial Number/Lot Date Code: \_\_\_\_\_ Purchase Date: \_\_\_\_\_

Save the receipt, warranty and these instructions. It is important that you read the entire manual to become familiar with this product before you begin using it.

This pallet jack is designed for certain applications only. Northern Tool and Equipment is not responsible for issues arising from modification or improper use of this product such as an application for which it was not designed. We strongly recommend that this product not be modified and/or used for any application other than that for which it was designed.

## Table of Contents

Intended Use.....	1
Packaging Contents.....	1
Technical Specifications.....	1
Important Safety Information.....	1
Specific Operation Warnings.....	2
Assembly Instructions.....	3
Operating Instructions.....	4
Maintenance.....	5
Troubleshooting.....	5
Parts Diagram.....	6
Parts List / Replacement Parts.....	8-10
Limited Warranty.....	10-11

## Intended Use

The Strongway 4400 Lb. Capacity Pallet Jack is designed for transportation of loads with a level, attached base and may be used only on a firm and even surface, such as concrete or asphalt. The load must be evenly distributed pallets, with the ideal loading mode such that the center of gravity of the load is at the central position of the fork.

## Packaging Contents

Part A (1)	Part B (1)
Frame Assembly (1)	Handle (1)

## Technical Specifications

Property	Specification
Capacity	4400 lb. (2000 kg)
Max Length	48 in. (1220 mm)
Width	27 in. (685 mm)
Lift Range	3.15-8 in. (85-200mm)

## Important Safety Information

### **WARNING:**

- Read and understand all instructions. Failure to follow all instructions may result in serious injury or property damage.
- The warnings, cautions, and instructions in this manual cannot cover all possible conditions or situations that could occur. Exercise common sense and caution when using this pallet jack. Always be aware of the environment and ensure that the tool is used in a safe and responsible manner.

- Do not allow persons to operate or assemble the product until they have read this manual and have developed a thorough understanding of how it works.
- Do not modify this pallet jack in any way. Unauthorized modification may impair the function and/or safety and could affect the life of the product. There are specific applications for which the product was designed.
- Use the right tool for the job. DO NOT attempt to force small equipment to do the work of larger industrial equipment. There are certain applications for which this equipment was designed. This product will be safer and do a better job at the capacity for which it was intended. DO NOT use this equipment for a purpose for which it was not intended.
- Industrial or commercial applications must follow OSHA requirements.

**WARNING:****WORK AREA SAFETY**

- Inspect the work area before each use. Keep work area clean, dry, free of clutter, and well-lit. Cluttered, wet, or dark work areas can result in injury. Using the product in confined work areas may put you dangerously close to cutting tools and rotating parts.
- Do not allow the product to come into contact with an electrical source. The tool is not insulated and contact will cause electrical shock.
- Keep children and bystanders away from the work area while operating the tool. Do not allow children to handle the product.

**PERSONAL SAFETY**

- Stay alert, watch what you are doing, and use common sense when operating the tool. Do not use the tool while you are tired or under the influence of drugs, alcohol, or medication. A moment of inattention while operating the tool may result in serious personal injury.
- Dress properly. Do not wear loose clothing, dangling objects, or jewelry. Keep your hair, clothing and gloves away from moving parts. Loose clothes, jewelry, or long hair can be caught in moving parts. Air vents on the tool often cover moving parts and should be avoided.
- Wear the proper personal protective equipment when necessary. Use ANSI Z87.1 compliant safety goggles (not safety glasses) with side shields, or when needed, a face shield. Use a dust mask in dusty work conditions. Also use non-skid safety shoes, hardhat, gloves, dust collection systems, and hearing protection when appropriate. This applies to all persons in the work area.

**CAUTION:****PALLET JACK USE AND CARE**

- Do not force the pallet jack. Products are safer and do a better job when used in the manner for which they are designed. Plan your work, and use the correct product for the job.
- Check for damaged parts before each use. Carefully check that the product will operate properly and perform its intended function. Replace damaged or worn parts immediately. Never operate the product with a damaged part.
- Store the pallet jack when it is not in use. Store it in a dry, secure place out of the reach of children. Inspect the tool for good working condition prior to storage and before re-use.
- Keep guards in place and in working order. Never operate the product without the guards in place.

**Specific Operation Warnings****WARNING:**

- Do not exceed the rated load capacity.
- Be sure the load is secure and stable before moving.
- Do not operate a loaded pallet jack on ramps or inclines.
- Keep the load centered on the pallet jack.

- Wear steel-toed boots while operating the palletjack.
- Check for damaged parts before operating. Do not operate a damaged or faulty pallet jack. Do not attempt repairs unless you are trained or authorized to do so.
- Operate a palletjack from a designated operating position. Keep hands, feet, and other body parts clear from the lifting mechanism and under the forks of the pallet jack.
- Do not use the pallet jack to transport people or animals.
- Be sure the load is stable and secure before moving.
- Be sure to evenly distribute the load before moving.
- Be sure the length of the forks match the length of the pallet.
- Lower the forks to the lowest height when the pallet jack is not in use.
- For use on a hard, level surface. Do not use on a grade or angled surface.
- Do not use if the operator is not physically capable of safely operating with a full load.
- When lifting a palletjack, the hydraulics may retract the wheels into the frame of the forks, crushing fingers, feet, and other body parts.
- Do not place your hands on the side of the pallet jack while lifting. Always use the end of the forks for lifting.

## Assembly Instructions



### WARNING:

#### Attaching the Handle to the Pump Unit

- Check if are all parts included and not damaged
- Do the work according to the daily inspections as well as functional checks.
- Eventually assemble the truck according to following instructions.

Before assembling, please make sure, that the following supplied parts are included and not damaged:

- 1 pc axle with hole (3)
- 2 pc dowel pin (4) [one is already assembled with the axle]
- 1 pc pre- assembled tiller arm (1)
- 1 pc pre- assembled chassis with pump unit (2)

Note: The marked number on the tiller arm package and the chassis should be the same.

When attaching the handle, you had better squat just in front of the pallet truck.

- Insert the tiller arm(1) into the pump piston, then use a hammer to insert the axle with hole into the hydraulic pump and tiller arm from the right to the left.
- Set the control lever of the handle to the 'LOWER' position, then pass the adjusting nut, adjusting bolt through the hole of the axle(2) with your hand.
- Press the tiller arm down; take away the pin(2)
- Set the control lever of the handle to 'RAISE' position, then raise the lever plate with the pin and insert the adjusting bolt into the front slot of lever plate. Note: Keep the adjusting nut under the lever plate.
- Use a hammer to insert the 2 dowel pin (4) into the 2 hole of the axle. The draw-bar is now assembled to the pump.

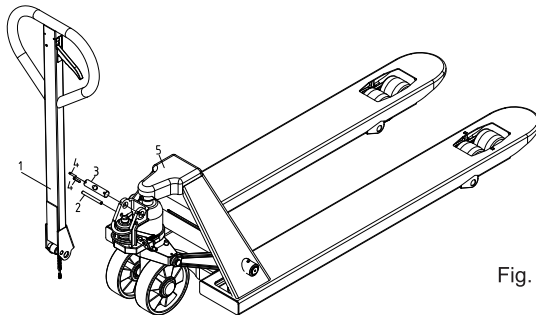


Fig. 2

## Operating Instructions



### **WARNING:**

- To avoid serious bodily injury or death, and/or property damage, do not exceed the rated load capacity.
- When not in use, do not allow heavy loads to remain on the fork for an extended period of time. Always lower the fork completely when not in use.

### **Adjusting the Control Handle – 3 Positions**

On the drawbar of this pallet jack, you can find the control handle (117N) which allows for three positions (Fig. 3):

**LOWER** - To lower the load, pull up on the control lever.

**NEUTRAL** - Place the control lever in this position while pulling the pallet jack or load.

**LIFT** - To raise the load, push down on the control lever and pump the handle to raise the load.

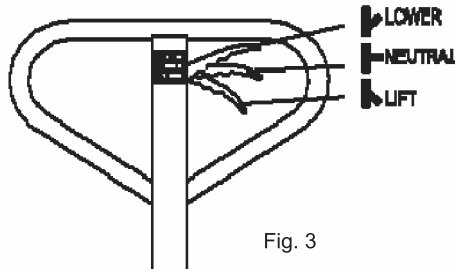


Fig. 3

**Note:** These three positions have been set at the factory to work as soon as the handle is attached. However, if the forks do not raise or lower as expected, adjust the control positions using the following instructions:

1. The adjusting screw (D121N) (Fig.2) is designed to adjust the 3 control positions. Use a wrench and a slotted screw driver to loosen the nut and turn the adjusting screw clockwise, or counter-clockwise, in order to leave 4-5 threads out after the nut is secured on the lever plate (D120N). Check to see if the pallet jack works correctly in the 3 control positions. If more adjustments are necessary, proceed to the following steps.
2. Place the control handle in the NEUTRAL position. If the fork frame does not rise when you pump the pallet jack, skip to step 5. If the fork frame does rise when you pump the pallet jack, turn the adjusting screw **CLOCKWISE** until the fork frame does not rise.
3. Keep the control handle in the NEUTRAL position. If the fork frame does not move when the handle is pumped, skip to step 4 without any adjustment. If the fork frame lowers, turn the adjusting screw **COUNTER-CLOCKWISE** until the fork frame does not lower.
4. Pull the control handle upward to the LOWER position. If the fork frame lowers, skip to step 5 without any adjustment. If the fork frame does not lower, turn the adjusting screw **CLOCKWISE** again until the fork frame lowers.
5. Push the control handle down to the LIFT position. If the fork frame (D214N) elevates when you pump the pallet jack, go back to check steps 1 to 3 until the pallet jack can work well in all 3 control positions. If the fork frame does not elevate, turn the adjusting screw **COUNTER-CLOCKWISE** again until the fork frame elevates. Repeat steps 1 thru 3 until the pallet jack works in all 3 control positions.

## Maintenance

Maintain the product by adopting a program of conscientious repair and maintenance in accordance with the following recommended procedures. It is recommended that the general condition of any tool be examined before it is used. Keep your tool in good repair. Keep handles dry, clean, and free from oil and grease. The following chart is based on a normal operation schedule.

Maintenance Interval	Maintenance Point
Daily before operating	<p>Daily inspection and maintenance of the pallet jack is required, especially for the wheels and the axles. Remove thread or rags on the wheel or axle if any are detected. Unload and lower the forks to the lowest position after every job is finished.</p> <p>Use motor oil or grease to lubricate all movable parts.</p> <p>Remove the air by moving the control handle to the LOWER position, then pump the handle up and down several times. Repeat this process until the forks lift as intended.</p>
After every 6 months operating	<p>Check the oil level every six months. The oil can be hydraulic oil, motor oil, or break oil.</p> <p>The pump capacity is about 14.37 oz. (0.425 liters). When changing or adding oil, fill the tank through the oil plug hole with 7.78 oz. (0.23L) of new hydraulic jack oil.</p>

## Troubleshooting

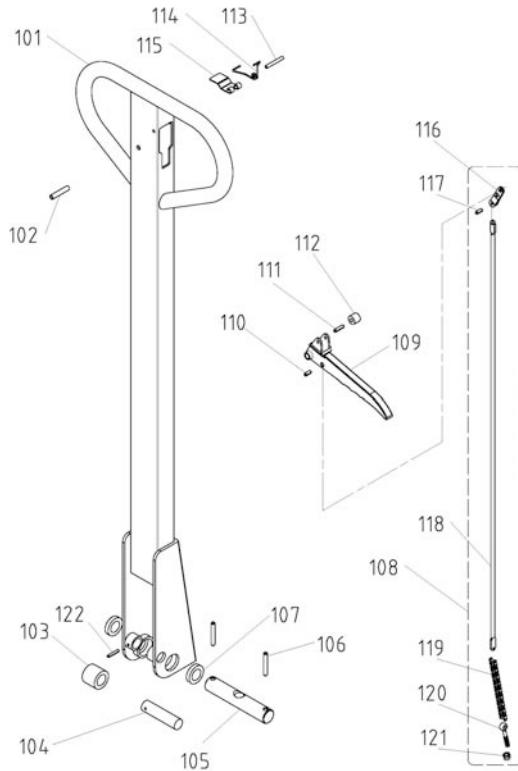


### **WARNING:**

Do not attempt to repair the pallet jack unless you are trained and authorized to do so.

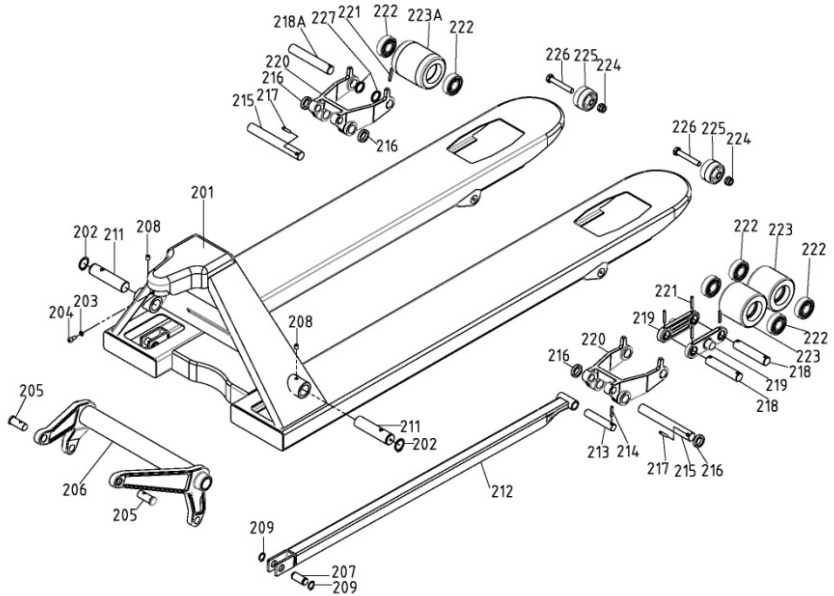
Failure	Possible Cause	Corrective Action
The forks cannot be raised up to the maximum height.	There is not enough hydraulic oil in the pump.	Add more oil.
The forks cannot be raised.	Missing hydraulic oil.	Fill with oil.
	The oil has impurities.	Change the oil.
	Air has been introduced into the hydraulic oil.	Bleed the air.
The forks cannot be lowered.	The piston rod (D135N) or pump body is deformed, resulting from a partial load slanting to one side or overloading.	Replace the piston rod (D135N) or pump body.
	The fork was kept in the high position for a long time with the piston rod exposed, causing rusting and jamming of the rod.	Keep the fork in the lowest position when not in use. Ensure the rod is properly lubricated.
	The adjusting screw (D121N) is not in the correct position.	Adjust the screw (D121N). See page 9 for adjusting the control handle.

Failure	Possible Cause	Corrective Action
The unit leaks.	Sealing parts are worn or damaged.	Replace.
	Some parts of the hydraulic system are cracked or bored.	Replace.
Forks descend without the release valve engaged.	The impurities in the oil cause the release valve to be unable to close tightly.	Replace with new oil.
	Some parts of the hydraulic system are cracked or bored.	Inspect and replace parts as needed.
	Air comes into the oil.	Remove the air.
	Sealing parts worn or damaged.	Replace.
	The adjusting screw (D121N) is not in the correct position.	Adjust the screw (D121N). See page 9 for adjusting the control handle.



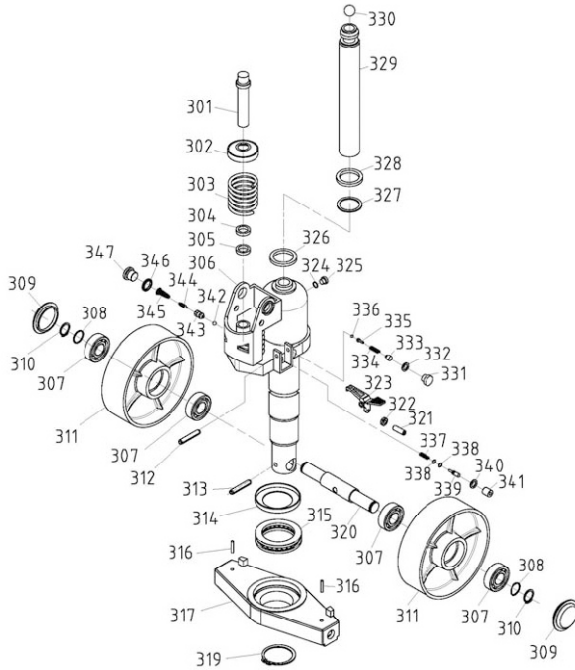
**Pic.1 Handle Component Breakdown**

No.	Item	Qty	Note	No.	Item	Qty	Note
101	Handle body	1		112	Roller	1	
102	Spring pin	1		113	Spring pin	1	
103	Pinch roller	1		114	Torsional spring	1	
104	Pinch roller pin	1		115	Hinge	1	
105	Axle with hole	1		116	Connecting plate	1	
106	Spring Pin	2		117	Rivet	1	
107	Axle sleeve	2		118	Draw bar	1	
108	Draw bar assembly	1		119	Chain	1	
109	Finger lever	1		120	Adjusting bolt	1	
110	Spring pin	1		121	Adjusting nut	1	
111	Spring pin	1		122	Spring Pin	1	



**Pic.2 Chassis Component Breakdown**

No.	Item	Qty	Note	No.	Item	Qty	Note
201	Chassis	1		216	Axle sleeve	4	
202	Circlip	2		217	Spring pin	2	
203	Spring gasket	1		218	Roller axle	4	Double
204	Bolt	1		219	Tri-connect plate	4	
205	Connecting pin	2		220	Level block	2	
206	Swing arm	1		221	Spring pin	8	
207	Axle	2		222	Bearing	8 or 4	D or S
208	Screw	2		223	Roller	4	Double
209	Circlip for shaft	2		224	Locking nut	2	
211	Long axle	2		225	Enter roller	2	
212	Push rod	2		226	Bolt	2	
213	Axle	2		227	Axle adjusting gasket	4	Single
214	Spring pin	2		218A	Roller axle	2	Single
215	Level block axle	2		223A	Roller	2	Single



**Pic. 3 Welded Pump Component Breakdown**

No.	Item	Qty	Note	No.	Item	Qty	Note
301	Small piston rod	1		314	Pump gasket	1	
302	Spring gap	1		315	Pushing ball bearing	1	
303	Big spring	1		316	Spring pin	2	
304	Dust ring	1		317	Thrust strip	1	
305	Y-ring	1		319	Axle spring gasket	1	
306	Pump body	1		320	Wheel axle	1	
307	Bearing 6204	4		321	Adjusting screw	1	
308	Axle adjusting gasket	2		322	Hex nut	1	
309	Dust ring	2		323	Swing rod	1	
310	Axle spring gasket	2		324	Sealing gasket	1	
311	Wheel	2		325	Plug screw	1	
312	Spring pin	1		326	Y-ring	1	
313	Spring pin	1		327	O-ring	1	

No.	Item	Qty	Note	No.	Item	Qty	Note
328	Dust ring	1		338	O-ring	2	
329	Big piston rod	1		339	mandrill	1	
330	Steel ball	1		340	Sealing gasket	1	
331	Plug screw	1		341	Axle sleeve	1	
332	Sealing gasket	1		342	Steel ball	1	
333	Plug screw	1		343	valve body	1	
334	Spring	1		344	Spool	1	
335	mandril	1		345	Tower spring	1	
336	Steel ball	1		346	Sealing gasket	1	
337	Spring	1		347	Plug screw	1	

## Replacement Parts

- For replacement parts and technical questions, please call Customer Service at 1-800-222-5381.
- Not all product components are available for replacement. The illustrations provided are a convenient reference to the location and position of parts in the assembly sequence.
- When ordering parts, the following information will be required: item description, item model number, item serial number/item lot date code, and the replacement part reference number.
- The distributor reserves the rights to make design changes and or improvements to product lines and manuals without notice.

## Limited Warranty

Northern Tool and Equipment Company, Inc. ("We" or "Us") warrants to the original purchaser only ("You" or "Your") that the Strongway product purchased will be free from material defects in both materials and workmanship, normal wear and tear excepted, for a period of one year from date of purchase. The foregoing warranty is valid only if the installation and use of the product is strictly in accordance with product instructions. There are no other warranties, express or implied, including the warranty of merchantability or fitness for a particular purpose. If the product does not comply with this limited warranty, Your sole and exclusive remedy is that We will, at our sole option and within a commercially reasonable time, either replace the product or product component without charge to You or refund the purchase price (less shipping). This limited warranty is not transferable.

### Limitations on the Warranty

This limited warranty does not cover: (a) normal wear and tear; (b) damage through abuse, neglect, misuse, or as a result of any accident or in any other manner; (c) damage from misapplication, overloading, or improper installation; (d) improper maintenance and repair; and (e) product alteration in any manner by anyone other than Us, with the sole exception of alterations made pursuant to product instructions and in a workmanlike manner.



### **Obligations of Purchaser**

You must retain Your product purchase receipt to verify date of purchase and that You are the original purchaser. To make a warranty claim, contact Us at 1-800-222-5381, identify the product by make and model number, and follow the claim instructions that will be provided. The product and the purchase receipt must be provided to Us in order to process Your warranty claim. Any returned product that is replaced or refunded by Us becomes our property. You will be responsible for return shipping costs or costs related to Your return visit to a retail store.

### **Remedy Limits**

Product replacement or a refund of the purchase price is Your sole remedy under this limited warranty or any other warranty related to the product. We shall not be liable for: service or labor charges or damage to Your property incurred in removing or replacing the product; any damages, including, without limitation, damages to tangible personal property or personal injury, related to Your improper use, installation, or maintenance of the product or product component; or any indirect, incidental or consequential damages of any kind for any reason.

### **Assumption of Risk**

You acknowledge and agree that any use of the product for any purpose other than the specified use(s) stated in the product instructions is at Your own risk.

### **Governing Law**

This limited warranty gives You specific legal rights, and You also may have other rights which vary from state to state. Some states do not allow limitations or exclusions on implied warranties or incidental or consequential damages, so the above limitations may not apply to You. This limited warranty is governed by the laws of the State of Minnesota, without regard to rules pertaining to conflicts of law. The state courts located in Dakota County, Minnesota shall have exclusive jurisdiction for any disputes relating to this warranty.



Distributed by:  
Northern Tool & Equipment Company, Inc.  
Burnsville, Minnesota 55306  
[www.northerntool.com](http://www.northerntool.com)

Made in Vietnam