

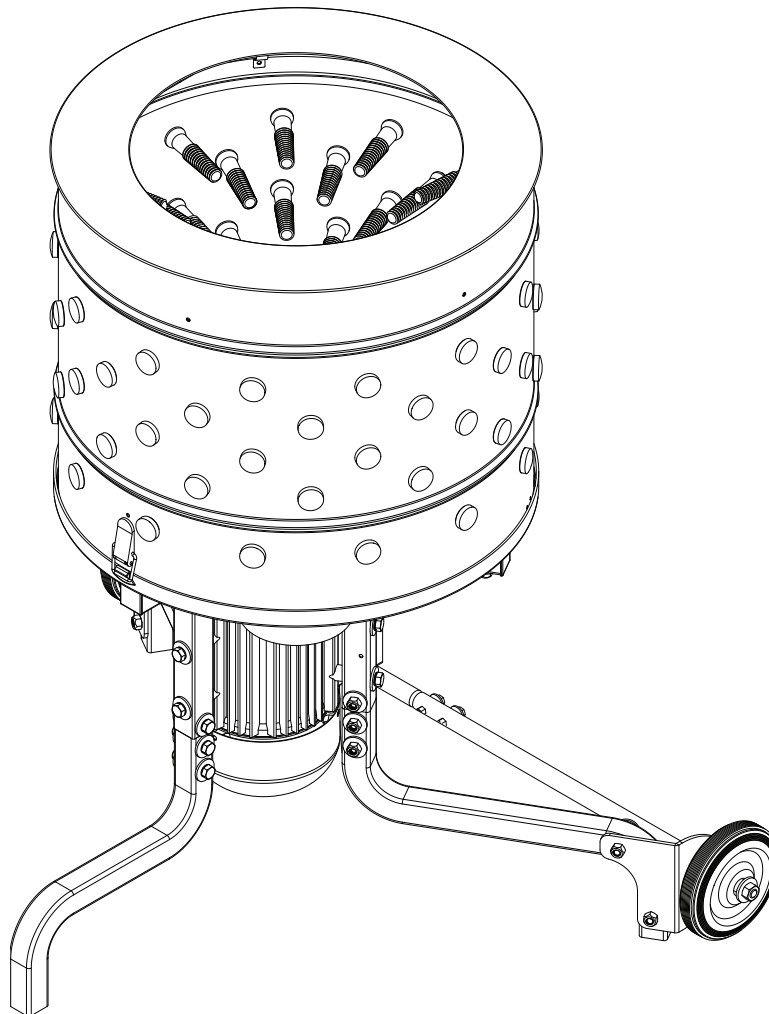


YARDBIRD™

Chicken Plucker

Operator's Manual
Original Operating Instructions
Manuel de l'utilisateur
Manual del operador
Chicken Plucker
Plumeuse à volaille
Desplumadora de pollos

SN



Includes Model - Inclut le modèle - Incluye el modelo:

21833

Get parts online at
Pièces détachées en ligne à
Obtenga piezas en línea en
www.yardbirdpluckers.com



P/N: 24671
ECN: 11127
REV1: 04/01/2016
©2016 Ardisam, Inc.
All Rights Reserved.
Tous droits réservés
Todos los derechos reservados.

INTRODUCTION

Thank you for purchasing a plucker from *Yardbird*. We have worked to ensure that this plucker meets the highest standards for usability and durability. With proper care, your plucker will provide many years of service.

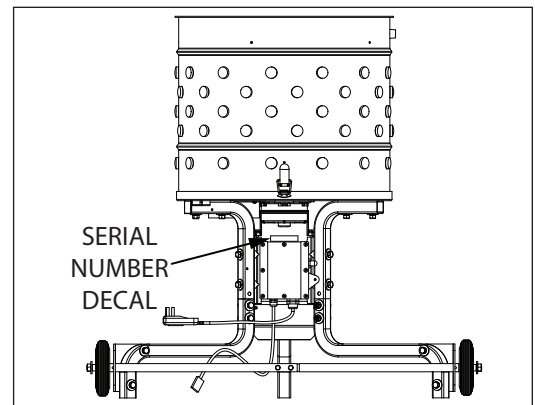
Please read this entire manual before installation and use. Yardbird reserves the right to change, alter or improve the product and this document at any time without prior notice.

CONTENTS

Introduction/Registration and Service2
 Features3
 Specifications.....4
 Wiring Diagram4
 Warnings and Safety Precautions.....5
 Safety Decals6
 General Operating Safety 7-8
 Assembly..... 8-9
 Operation10
 Tips and Recommendations..... 10-11
 Maintenance 11
 Troubleshooting Chart.....11
 Illustrated Parts Breakdown..... 12-14
 Warranty 15

Registration and Service

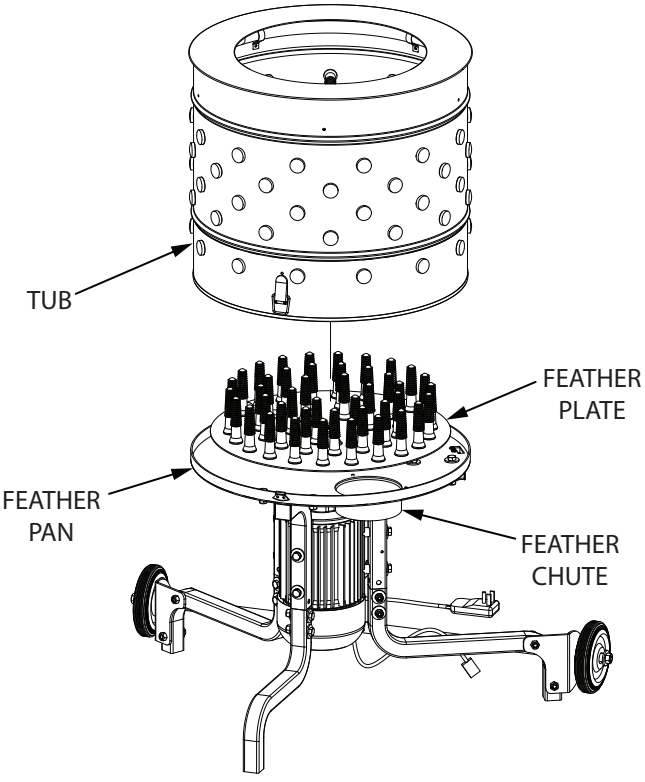
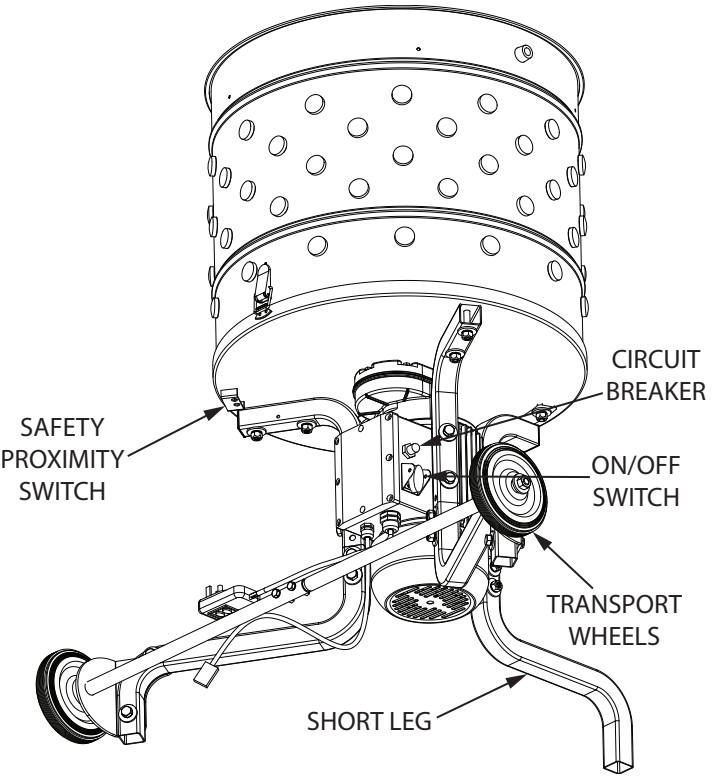
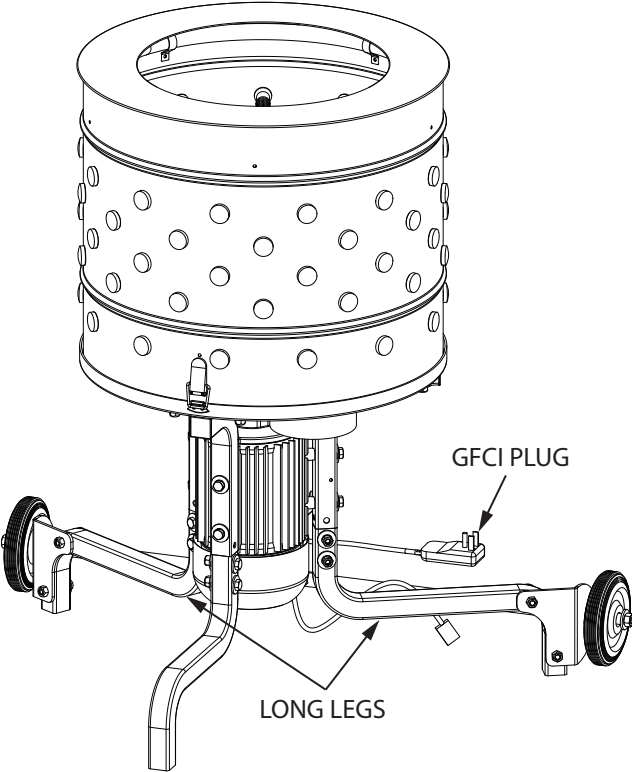
Record the product model number and serial number in the space provided for easy reference when ordering parts or requesting technical support. The warranty is valid only if the completed registration is received by Yardbird within 30 days of purchase. **(SEE WARRANTY SECTION FOR MORE INFORMATION)** You can register your warranty online by visiting www.yardbirdpluckers.com, or by mailing it to: Yardbird, 1160 8th Avenue, Cumberland, WI 54829. You may also call our customer service department at (800) 345-6007 Mondays through Fridays from 8 a.m. to 5 p.m. CST.



OWNERSHIP RECORDS		
Owner's Name:		
Owner's Address:		
City:	State/Province:	Zip Code/Postal Code:
Model Number:	Serial Number:	
Date of Purchase:		
Notes:		

Read and keep this manual for future reference. This manual contains important information on SAFETY, ASSEMBLY, OPERATION, AND MAINTENANCE. The owner must be certain that all the product information is included with the unit. This information includes the MANUAL, the REPLACEMENT PARTS and the WARRANTIES. This information must be included to make sure state laws and other laws are followed. All persons to whom rent/loan this unit must have access to and understand this information. This manual should remain with the product even if it is resold.

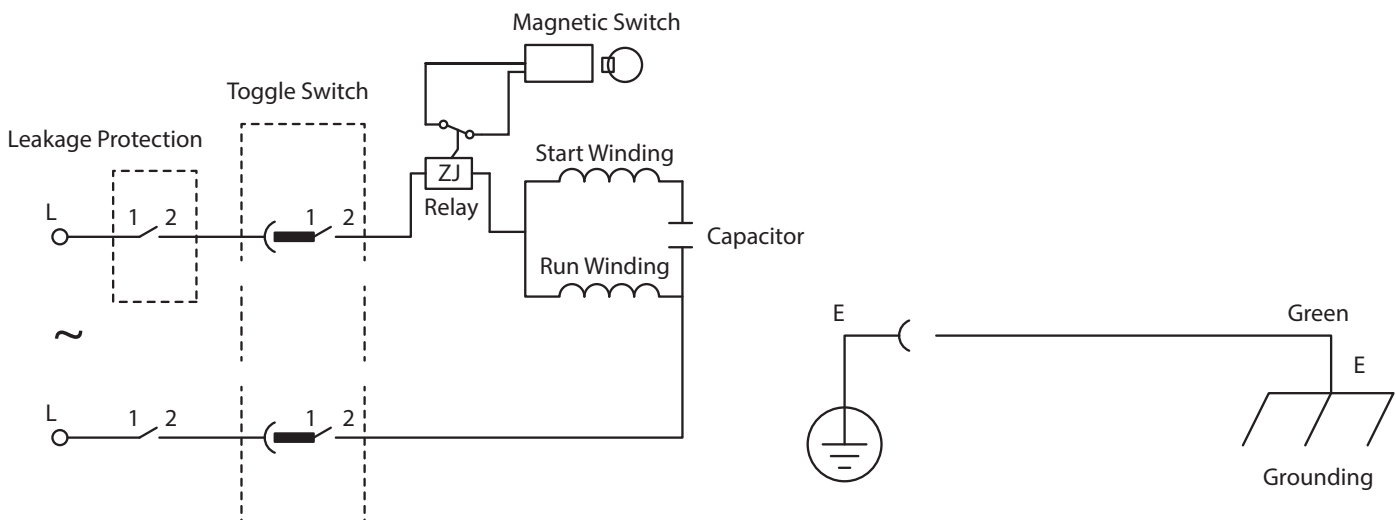
FEATURES



SPECIFICATIONS

POWER TYPE	120V SINGLE PHASE	HARDWARE FINISH	CLEAR ZINC
WHEELS INCLUDED	YES, 2	PRIMARY MATERIAL	STAINLESS STEEL
HORSEPOWER	1.5	PIECES INCLUDED	(1) TUB, (1) FEATHERPLATE, (1) WARRANTY
ROTATIONAL SPEED (RPM)	300		CARD, (1) SET HARDWARE, (1) DRIVE ASSEMBLY, (3) LEGS,
FINGERS	110		(2) WHEELS, (1) OWNER'S MANUAL, (2) AXLES
CARTON HEIGHT - TOP TO BOTTOM (INCHES)	20.7	WEATHER RESISTANT	YES
CARTON WIDTH - SIDE TO SIDE (INCHES)	21.6		
CARTON DEPTH - FRONT TO BACK (INCHES)	21.6	CORROSION RESISTANT	YES
ASSEMBLED HEIGHT - TOP TO BOTTOM (INCHES)	36	UV RESISTANT	YES
ASSEMBLED WIDTH - SIDE TO SIDE (INCHES)	30.6	ANTIMICROBIAL	YES
ASSEMBLED DEPTH - FRONT TO BACK (INCHES)	26.7	HEAVY DUTY	YES
VOLTAGE (VOLTS)	120	CORD INCLUDED	YES
WATTAGE (WATTS)	1100	TUB PROXIMITY SAFETY SWITCH	YES
MINIMUM CIRCUIT RATING (AMPS)	15	OUTDOOR USE	YES
GROSS WEIGHT (POUNDS)	88	COMMERCIAL USE	NO
NET WEIGHT (POUNDS)	83	CORD LENGTH (INCHES)	72
REMOVABLE TUB	YES	GFCI	YES
DRIVE TYPE	GEAR	ASSEMBLY REQUIRED	YES
DRIVE DETAILS	HELICAL CUT ALLOY STEEL GEARS	TOOLS NEEDED FOR ASSEMBLY	WRENCHES
IRRIGATION RING	YES	PRODUCT WARRANTY	ONE YEAR
FINISH	STAINLESS STEEL AND POWDER COAT	CSA CERTIFIED	YES

WIRING DIAGRAM



WARNINGS AND SAFETY PRECAUTIONS

Owner's Responsibility

Accurate assembly, and safe and effective use of the plucker is the owner's responsibility.

- Read and follow all safety instructions.
- Carefully follow all assembly instructions.
- Maintain the plucker according to directions and schedule included in this *Yardbird* operator's manual.
- Ensure that anyone who uses the plucker is familiar with all controls and safety precautions.

Special Messages

Your manual contains special messages to bring attention to potential safety concerns, machine damage as well as helpful operating and servicing information. Please read all the information carefully to avoid injury and machine damage.

NOTE: General information is given throughout the manual that may help the operator in the operation or service of the machine.

Important Safety Precautions

Please read this section carefully. Operate the plucker according to the safety instructions and recommendations outlined here and inserted throughout the text. Anyone who uses this plucker must read the instructions and be familiar with the controls. Learn how to control the chicken plucker at all times.



This symbol points out important safety instructions which if not followed could endanger your personal safety. Read and follow all instructions in this manual before attempting to operate this equipment.

- Do not allow children to operate this chicken plucker. Keep small children away from the area while chicken plucker is in use. Do not allow adults to operate the chicken plucker without proper instruction.



Intended Use / Foreseeable Misuse

This is a plucker designed to remove feathers from poultry. It shall not be used for any other purpose.

DANGER

DANGER INDICATES A SERIOUS INJURY OR FATALITY WILL RESULT IF THE SAFETY INSTRUCTIONS THAT FOLLOW THIS SIGNAL WORD ARE NOT OBEYED.

WARNING

WARNING INDICATES A HAZARD WHICH, IF NOT AVOIDED, COULD RESULT IN DEATH OR SERIOUS INJURY AND/OR PROPERTY DAMAGE.

CAUTION

CAUTION INDICATES YOU OR YOUR EQUIPMENT CAN BE HURT IF THE SAFETY INSTRUCTIONS THAT FOLLOW THIS SIGNAL WORD ARE NOT OBEYED.

IMPORTANT

IMPORTANT INDICATES HELPFUL INFORMATION FOR PROPER ASSEMBLY, OPERATION, OR MAINTENANCE OF YOUR EQUIPMENT.

WARNING

YOU MUST READ, UNDERSTAND AND COMPLY WITH ALL SAFETY AND OPERATING INSTRUCTIONS IN THIS MANUAL BEFORE ATTEMPTING TO SETUP AND OPERATE YOUR PLUCKER.

FAILURE TO COMPLY WITH ALL SAFETY AND OPERATING INSTRUCTIONS CAN RESULT IN LOSS OF MACHINE CONTROL, SERIOUS PERSONAL INJURY TO YOU AND/OR BYSTANDERS, AND RISK OF EQUIPMENT AND PROPERTY DAMAGE. THE TRIANGLE IN THE TEXT SIGNIFIES IMPORTANT CAUTIONS OR WARNINGS WHICH MUST BE FOLLOWED.

WARNING

CALIFORNIA PROPOSITION 65 WARNING

THIS PRODUCT CONTAINS CHEMICALS KNOWN TO THE STATE OF CALIFORNIA TO CAUSE CANCER, BIRTH DEFECTS, OR OTHER REPRODUCTIVE HARM.

SAFETY DECALS

This unit has been designed and manufactured to provide you with the safety and reliability you would expect from an industry leader in outdoor power equipment manufacturing.

Although reading this manual and the safety instructions it contains will provide you with the necessary basic knowledge to operate this equipment safely and effectively, we have placed several safety labels on the unit to remind you of this important information while you are operating your unit.

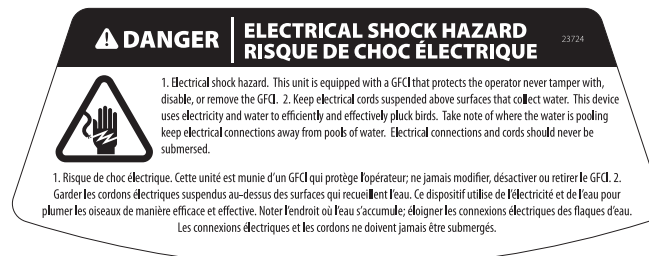
All **DANGER, WARNING, CAUTION** and instructional messages on your unit should be carefully read and obeyed. Personal bodily injury can result when these instructions are not followed. The information is for your safety and it is important! The safety decals below are on your unit.

If any of these decals are lost or damaged, replace them at once. See your local dealer or contact Yardbird directly for replacements.

These labels are easily applied and will act as a constant visual reminder to you, and others who may use the equipment, to follow the safety instructions necessary for safe, effective operation.



Part No. 23723
HIGH TORQUE MOTOR
Tub Decal



Part No. 23724
ELECTRICAL SHOCK HAZARD
Tub Decal



Part No. 23725
KEEP HANDS CLEAR
Tub Decal

GENERAL OPERATING SAFETY

- Read, understand, and follow all instructions in the manual and on the unit before starting
- Dress appropriately when operating the machine. Always wear sturdy footwear and safety goggles. Never wear sandals, sneakers or open shoes, and never operate the plucker with bare feet. Do not wear loose clothing that might get caught in moving parts.
- Only allow responsible adults, who are familiar with the instructions, to operate the unit.
- Do not allow children to operate this machine. Adults should not operate the machine without proper instruction.
- Always maintain secure footing and solid balance while starting or operating the chicken plucker.
- Operate the machine only in daylight or good artificial light.
- Do not operate the unit while under the influence of alcohol or drugs.
- Always wear eye protection when operating this unit.
- Keep in mind the operator is responsible for accidents occurring to other people or property.
- Never operate the machine without proper guards, plates, or other safety protective devices in place.

PRODUCT-SPECIFIC SAFETY

- Do not put hands or feet near rotating parts or under the machine. Keep clear of the discharge openings at all times.
- Keep all screws, nuts and bolts tight.
- Never leave the machine running unattended. Always move the unit to a safe storage area when not in use.
- Unplug the unit before performing any maintenance, repairs, or adjustments while the unit is running.
- Never put live birds in the plucker. All birds must be properly killed and scalded before processed in the plucker.
- Turn off machine and wait for plucker to come to a complete stop before removing birds or feathers from the machine. Do not place arms, hands, or other body parts inside machine while processing or spinning.
- Keep hands out of feather chute. Do not attempt to clear feathers or other debris from feather chute with the unit plugged in. Unplug unit before cleaning or removing foreign matter, such as bird heads, from the plucker.
- Never tamper with, disable, or remove the GFCI (Ground-Fault Circuit Interrupter).

DANGER

ELECTRICAL SHOCK HAZARD. THIS UNIT IS EQUIPPED WITH A GFCI (GROUND-FAULT CIRCUIT INTERRUPTER) THAT PROTECTS THE OPERATOR. NEVER TAMPER WITH, DISABLE, OR REMOVE THE GFCI.

DANGER

THIS PRODUCT HAS A HIGH TORQUE MOTOR. TO PREVENT SERIOUS PERSONAL INJURY DO NOT WEAR LOOSE CLOTHING. HAIR MUST BE PULLED BACK.

DANGER

NEVER OPERATE MACHINE WITHOUT THE PLUCKING TUB IN PLACE, AS BODY PARTS CAN GET WRAPPED BETWEEN THE FEATHER PLATE AND THE FEATHER PAN. A SAFETY PROXIMITY SWITCH DOES NOT ALLOW OPERATION WITHOUT THE TUB. DO NOT DISABLE THIS SWITCH.

IF SWITCH DOES NOT STOP UNIT OPERATION WHEN TUB IS REMOVED FROM FEATHER PAN, REPLACE SWITCH.

WARNING

KEEP HANDS CLEAR OF THE MOVING PARTS. NEVER PUT HANDS OR ANY OTHER BODY PARTS BELOW THE TOP OF THE PLANE OF THE PLUCKING TUB WHILE THE PLUCKER IS RUNNING.

DANGER

KEEP HANDS OUT OF FEATHER CHUTE. DO NOT ATTEMPT TO CLEAR FEATHERS OR OTHER DEBRIS FROM FEATHER CHUTE WITH THE UNIT PLUGGED IN. UNPLUG THE UNIT BEFORE CLEANING OR REMOVING FOREIGN MATTER, SUCH AS BIRD HEADS, FROM THE PLUCKER.

DANGER

KEEP ELECTRICAL CORDS SUSPENDED ABOVE SURFACES THAT COLLECT WATER. THIS DEVICE USES ELECTRICITY AND WATER TO EFFICIENTLY AND EFFECTIVELY PLUCK BIRDS. TAKE NOTE OF WHERE THE WATER IS POOLING AND KEEP ELECTRICAL CONNECTIONS AWAY FROM POOLS OF WATER. ELECTRICAL CONNECTIONS AND CORDS SHOULD NEVER BE SUBMERGED.

- Keep all electrical cords and connections away from pools of water. Electrical cords and connections should never be submerged in water.

UNPACKING AND ASSEMBLY

Tools Required for Assembly:

- 10mm wrench (2)
- 13mm wrench (2)
- 16mm wrench (2)

ASSEMBLY

1. Open top of carton and remove the Styrofoam inner pack with the hole in the middle. **SEE FIGURE 1**
2. Place Styrofoam on a level surface in your assembly area. Remove the gear-motor/feather pan assembly and place it shaft down (motor up) through the hole in the Styrofoam.
3. Remove the remaining contents of the package and verify that you have received:
 - a. Carton contents:
 - Axle (2)
 - Feather plate
 - Feather tub
 - Long Legs (2)
 - Short leg
 - Wheel (2)
 - b. One parts bag containing:
 - Bolt M8 x 1.25 x 40 (6)
 - Bolt M8 x 1.25 x 20 **LEFT HAND THREAD** (1)
 - Bolt M6 x 1.0 x 28 (2)
 - Washer M8 x 24 x 2.2 Flat (12)
 - Washer M8 Spring Lock (7)
 - Washer M8 x 30 Domed (1)
 - Washer M6 Spring Lock (2)
 - Washer M10 Flat (2)
 - Nut M6 x 1.0 Nylock (2)
 - Nut M10 Nylock (2)
 - Carabiner (4)
 - Plucker Finger 46 mm (1)
4. Assemble wheel to axle (**SEE FIGURE 2**). For each axle component:
 - a. Install wheel onto threaded end of axle component.
 - b. Install M10 washer against outside of wheel, then a M10 nut against the washer. Use a 16mm wrench to tighten the wheel nut until it bottoms out on the washer and the nylon locking feature on the nut is fully engaged by the axle thread.
5. Assemble legs to gear-motor/feather pan assembly. (**SEE FIGURE 3**)
 - a. Assemble two long legs on either side of the motor junction box and align holes. Insert short leg in the remaining leg post.
NOTE: Each leg is unique and not interchangeable. The long legs with the axle brackets attached should be assembled so that the axle brackets are parallel with each other. (SEE FIGURE 3)
 - b. For each leg, install two M8x40 bolts and two M8 flat washers through one side of the leg, and insert two M8 flat washers, two M8 spring lock washers, and two M8 nylock nuts on the opposite side. Tighten using a 13mm wrench.
6. Assemble axle to legs. (**SEE FIGURE 4 & 5**)
 - a. Slide axle components through each axel bracket and align holes. Assemble two axle components together using two M6 bolts, two M6 spring lock washers, and two M6 nylock nuts.
 - b. Flip gear-motor/feather pan right side up so it stands on the legs.
7. Remove feather plate from tub.
NOTE: Removal of feather plate is easiest if plate is turned on its side and lifted out at an angle.
8. Insert 46 mm plucker finger into opening on underside of feather plate. (**SEE FIGURE 6**)
NOTE: Finger must be installed in the same direction as the other two 46 mm fingers for proper operation.
9. Insert key in output shaft. (**SEE FIGURE 7**)
10. Apply grease to motor shaft.
11. Align keyway in feather plate with key in shaft and push down into place.
NOTE: Notch in feather plate does not always align with the keyway in the feather plate hub.
12. Assemble M8 bolt, M8 lock washer, and 8mm domed spacer over shaft. Tighten with 13mm wrench. (**SEE FIGURE 7**)
NOTE: Bolt has left hand thread.
13. a. Place tub in feather pan.
NOTE: Magnetic read switch in feather pan MUST align with magnet in tub. Align arrow label on tub to arrow on feather pan. (SEE FIGURE 8)
 - b. Lock latches into place. Carabiners are included for secure locking.
 - c. Place bucket (not included) under feather chute.
 - d. Attach garden hose (not included).
NOTE: It is recommended that you attach a valve to tub and then attach a garden hose. This allows the operator to shut the water off locally and not at the spigot. If a "Y" valve is used, a second hose can be used for washdown and scalding filling.

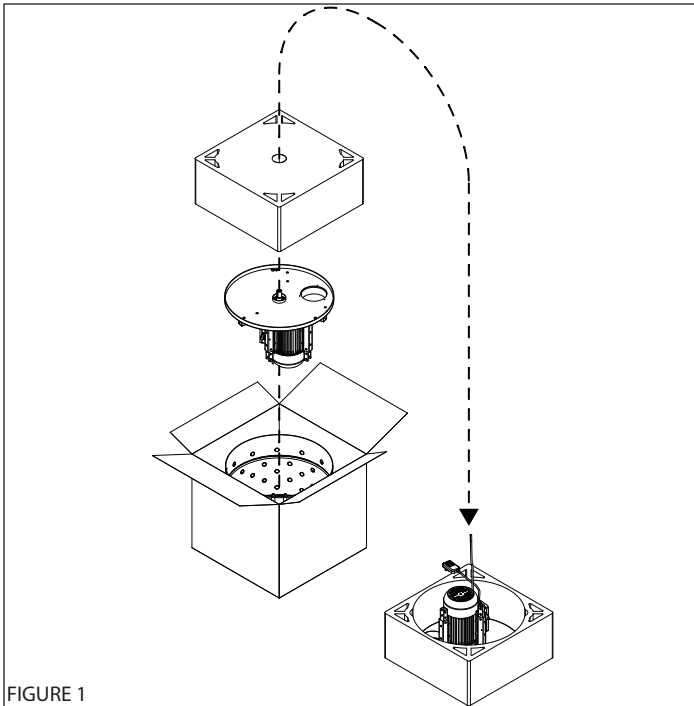


FIGURE 1

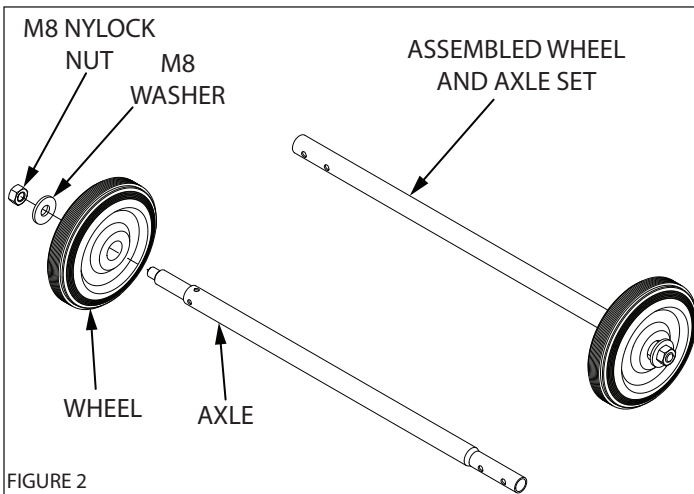


FIGURE 2

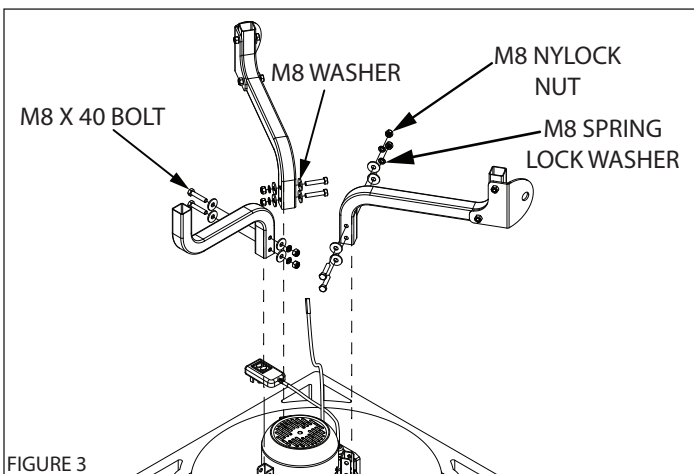


FIGURE 3

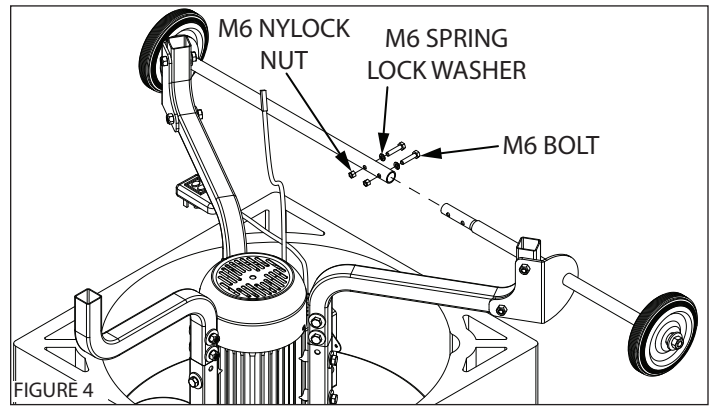


FIGURE 4

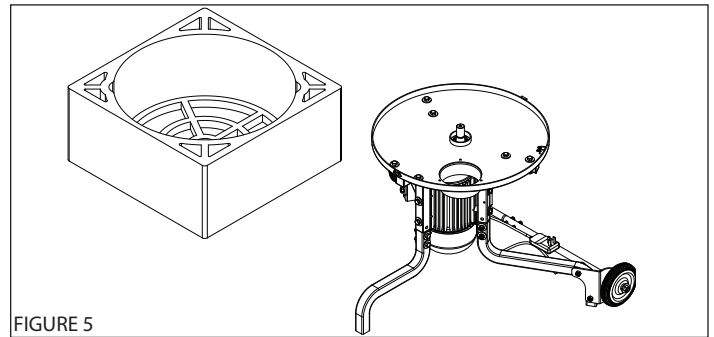


FIGURE 5

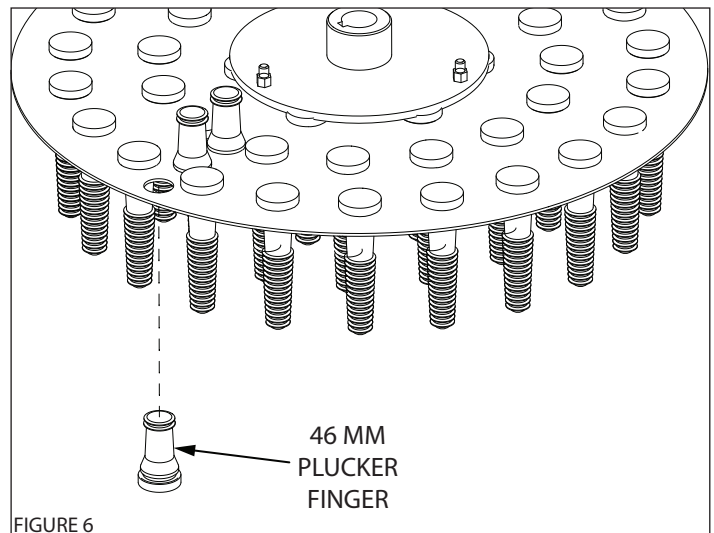


FIGURE 6

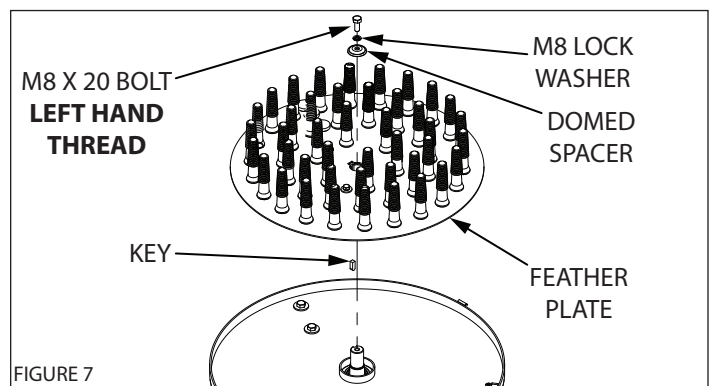


FIGURE 7

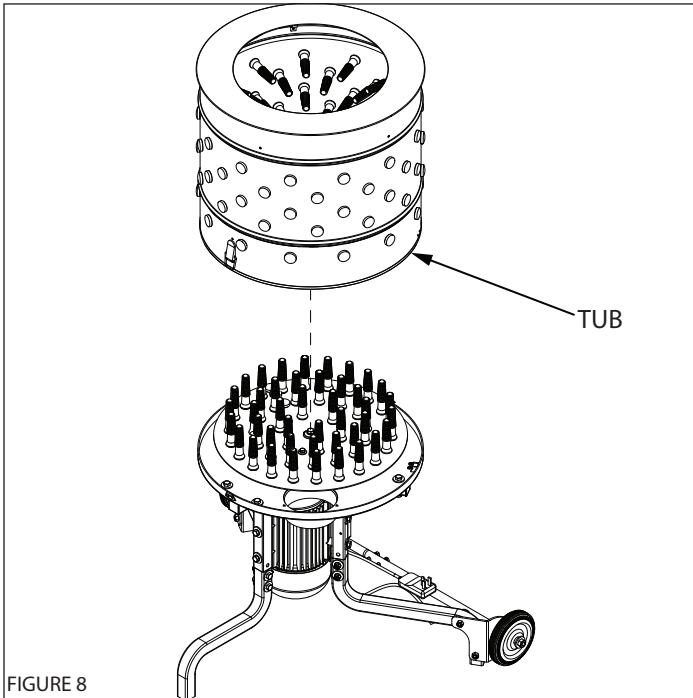


FIGURE 8

OPERATION

Pre-Start Inspection

1. Make sure all safety features are operational, including the GFCI and tub proximity switch.
2. Check that all nuts and bolts are secure.

NOTE: All hardware (nuts, bolts, etc) should be checked for tightness before each use. Vibration of machine can cause them to loosen.

3. Keep electrical connections out of areas where water can pool.

Start Up

1. Each time the chicken plucker is plugged in, you must press the reset button on the GFCI. The machine will not start without this step.

NOTE: Never disable the GFCI. The operator is often standing in a pool of water while operating this electrical device. The GFCI ensures that all of the power is used by the motor and none of the power becomes a shock hazard.

2. Flip the toggle switch to the **ON** position before putting the birds into the plucker. Starting the plucker with birds in contact with the feather plate add to the current draw of the machine and lessen the life of the electrical components.
3. Turn irrigation ring on.
4. Drop one or two properly scalded birds into plucker and let machine process until feathers are removed.

A properly scalded bird will pluck in about 15 seconds.

Shut Down

1. To shut down the chicken plucker, flip the toggle switch to the **OFF** position.

NOTE: Do NOT retrieve bird unless unit has come to a complete stop.

2. Unplug GFCI when you are done using the machine.

⚠ DANGER

NEVER OPERATE MACHINE WITHOUT THE PLUCKING TUB IN PLACE, AS BODY PARTS CAN GET WRAPPED BETWEEN THE FEATHER PLATE AND THE FEATHER PAN. A SAFETY PROXIMITY SWITCH DOES NOT ALLOW OPERATION WITHOUT THE TUB. DO NOT DISABLE THIS SWITCH.

IF SWITCH DOES NOT STOP UNIT OPERATION WHEN TUB IS REMOVED FROM FEATHER PAN, REPLACE SWITCH.

⚠ DANGER

KEEP ELECTRICAL CORDS SUSPENDED ABOVE SURFACES THAT COLLECT WATER. THIS DEVICE USES ELECTRICITY AND WATER TO EFFICIENTLY AND EFFECTIVELY PLUCK BIRDS. TAKE NOTE OF WHERE THE WATER IS POOLING AND KEEP ELECTRICAL CONNECTIONS AWAY FROM POOLS OF WATER. ELECTRICAL CONNECTIONS AND CORDS SHOULD NEVER BE SUBMERGED.

⚠ WARNING

KEEP HANDS CLEAR OF THE MOVING PARTS. NEVER PUT HANDS OR ANY OTHER BODY PARTS BELOW THE TOP OF THE PLANE OF THE PLUCKING TUB WHILE THE PLUCKER IS RUNNING.

⚠ DANGER

ELECTRICAL SHOCK HAZARD. THIS UNIT IS EQUIPPED WITH A GFCI (GROUND-FAULT CIRCUIT INTERRUPTER) THAT PROTECTS THE OPERATOR. NEVER TAMPER WITH, DISABLE, OR REMOVE THE GFCI.

Tips and Recommendations

1. Yardbird recommends handling birds by the feet and slitting the carotid artery while the bird is contained in a kill cone to limit bruising and trauma. The birds will also pluck better if they are not stressed.
2. Scalding water should be approximately 140-150 degrees Fahrenheit. Scald water is hot enough to burn the operator. Using thick rubber gloves is recommended. Plunging the birds in and out of the water while wearing thick rubber gloves allows the water to penetrate to the skin of

the bird and keeps hands cool.

3. Mixing dish soap with the scald water allows the hot water to penetrate to the skin. Birds have oil on their feathers and breaking down the oil allows the hot water to get to the skin. The hot water relaxes the muscles holding the feathers in place.
4. Change the scald water when it gets dirty and/or oily.
5. The birds should go directly from the scald to the plucker. The more time between the two steps allows rigor to set in and the wings and legs will shield portions of the bird if they get too stiff.
6. For poultry, use the largest feathers to test the scalding process. Once the largest feather can be pulled out easily by hand, the plucker will rapidly remove all of the feathers. Large feathers are on the wings and tail.
7. If the plucker is ripping the skin of bird, the bird was scalded too long or the scald water is too hot.
8. The Yardbird can handle up to two eight pound birds at the same time.
9. There are many resources for killing, scalding, and eviscerating on the internet. One technique does not fit the needs of every user and over time you will hone the process to your needs.
10. Waterfowl are much more difficult to pluck than poultry. However, waterfowl have been plucked successfully with the Yardbird plucker.

Waterfowl are extremely oily and require more soap in the scald water to break down the oil. Unlike poultry, test feathers on waterfowl should be pulled from the regions that hold feathers fast (breast and pelvis).

When plucking waterfowl, monitor the build up of oil in the scald water. Change the water or add dish soap accordingly.

TROUBLESHOOTING AND REPAIR

In the event you experience trouble operating your plucker, follow the suggestions in the troubleshooting guide in this section. The guide will help you pinpoint the causes of common problems and identify remedies.

In case of a service problem, DO NOT send unit back to retailer. Contact Yardbird, at 800-345-6007, Monday through Friday, 8am to 5pm.

PROBLEM	REMEDY/ACTION
Unit will not start	<ul style="list-style-type: none"> • Reset GFCI • Turn toggle switch to the ON position • Be sure magnet in tub is positioned over magnetic read switch on feather pan. <p>NOTE: Magnet must be adjusted close enough to magnetic read switch in order to function properly.</p>

* Please contact 800-345-6007 for service parts

MAINTENANCE

Cleaning

Clean chicken plucker after every use.

To clean chicken plucker:

1. Run the plucker for two minutes with the irrigation ring on. This will flush most of the feathers on the plate and in the feather pan out of the unit through the feather chute.
2. Disassemble tub from feather pan. Remove feathers and debris.

NOTE: Water and bleach are recommended as cleaning agents.

3. Tip remainder of unit away from user and spray water under feather plate to remove any feathers or debris between the feather plate and the feather pan.
4. Disassemble feather plate, inspect area around shaft and clean out feathers and debris.

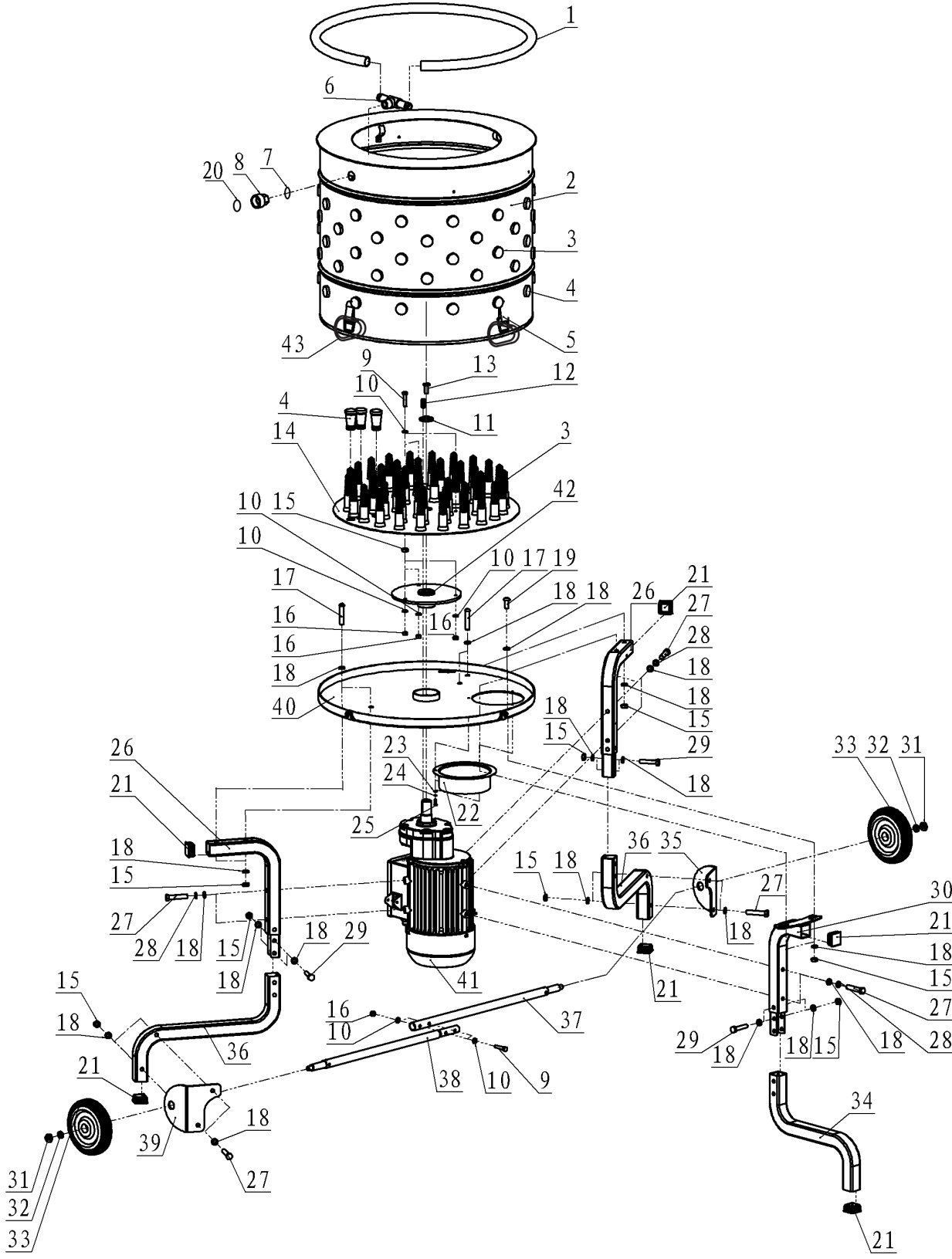
NOTE: This step only needs to be done once a year.

- The Yardbird has no belts and the motor and the gearbox are sealed and maintenance free.
- Whenever the feather plate is disassembled (once a year) grease the shaft with a food grade grease so that the feather plate can be disassembled with ease the next year.
- Inspect natural rubber plucker fingers for cracks and tears. Replace with Yardbird plucker fingers.
- Even though the plucker is designed to run outdoors, exposed to water and sunlight, it is best to keep the unit stored indoors or covered. This will preserve the life of the rubber fingers and motor components.

DANGER

KEEP HANDS OUT OF FEATHER CHUTE. DO NOT ATTEMPT TO CLEAR FEATHERS OR OTHER DEBRIS FROM FEATHER CHUTE WITH THE UNIT PLUGGED IN. UNPLUG THE UNIT BEFORE CLEANING OR REMOVING FOREIGN MATTER, SUCH AS BIRD HEADS, FROM THE PLUCKER.

ILLUSTRATED PARTS BREAKDOWN: MAIN UNIT





ITEM NO.	PART #	DESCRIPTION	QTY.
1	23632	HOSE TUB WATER SPRAYER	1
2	24018	ASSY DRUM W/HOSE CLIPS	1
3	22577	FINGER REPLACEMENT 98 MM	95
4	22697	FINGER REPLACEMENT 46 MM	13
5	23646	BUCKLE CLAMP	4
6	23649	FITTING TEE 3/4 NPT X BARB X BARB	1
7	23924	O-RING 24 X 26 X 3.5 MM	1
8	23844	FITTING 3/4 FNPT X GARDEN HOSE SWIVEL	1
9	10677	BOLT M6 X 1.0 X 30 HEX	2
10	18130	WASHER M6 SPRING LOCK	10
11	23840	WASHER M8 X 30 DOMED	1
12	24016	KEY SQUARE 6 X 6 X 17.4	1
13	24545	BOLT M8 X 1.25 X 20 HEX LEFT HAND THREAD	1
14	23639	FEATHER PLATE	1
15	400023	NUT M8 NYLOCK	16
16	4650	NUT M6 X 1.0 NYLOCK	5
17	24032	BOLT M8 X 1.25 X 45 PHILIPS	4
18	3245	WASHER M8 X 24 X 2.2 FLAT	32
19	24033	BOLT M8 X 1.25 X 20 PHILIPS	2
20	23925	O-RING 26 X 21 X 3 MM	1
21	23636	PLUG SQUARE TUBE 30 MM	6

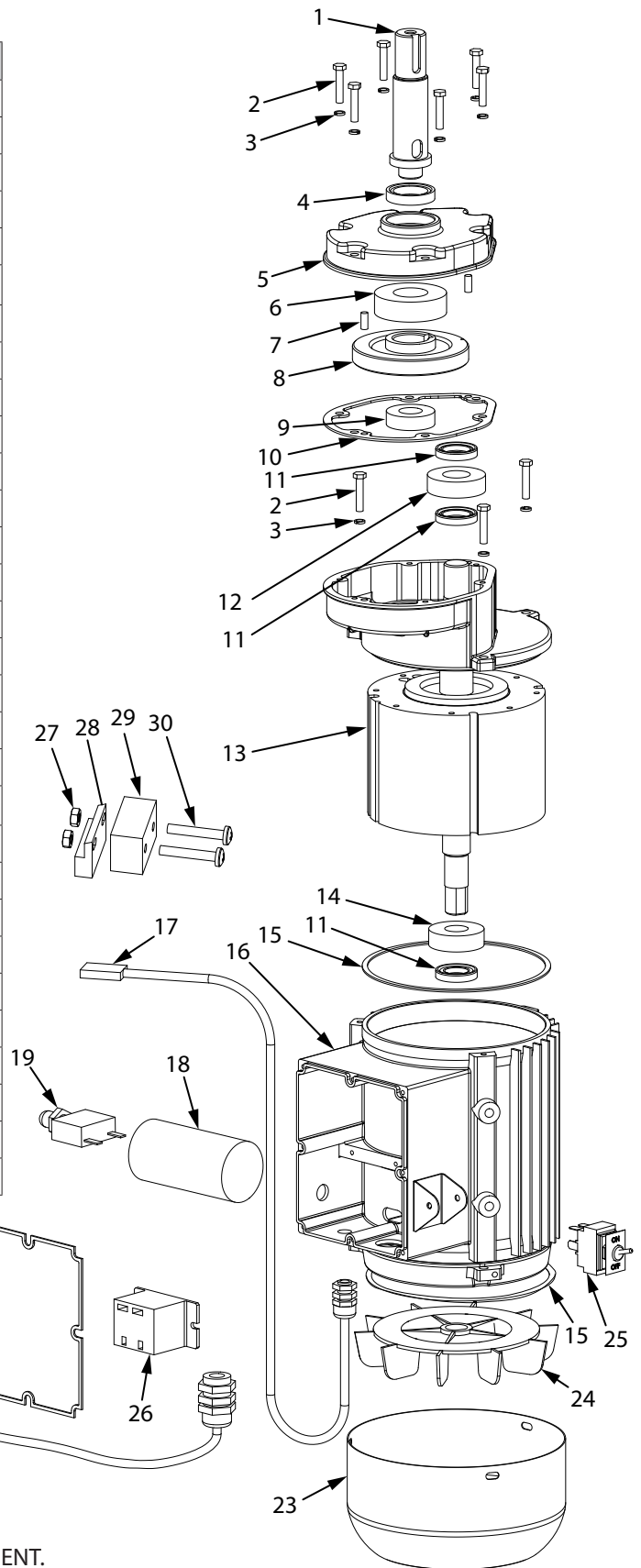
ITEM NO.	PART #	DESCRIPTION	QTY.
22	23637	FEATHER CHUTE	1
23	4692	WASHER M4 FLAT	3
24	22024	WASHER M4 SPRING LOCK	3
25	12419	BOLT M4 X 0.7 X 8 PHILIPS	3
26	23104	AXLE LEG TOP 30 MM	2
27	18098	BOLT M8 X 1.25 X 45 HEX	8
28	21640	WASHER M8 SPRING LOCK	6
29	12770	BOLT M8 X 1.25 X 40 HEX	3
30	23089	SUPPORT LEG TOP 30 MM	1
31*	W1265V0903	NUT M10 X 1.5 NYLOCK	2
32*	19905	WASHER M10 X 20 X 2 FLAT	2
33*	11919	WHEEL KIT WITH HARDWARE	1
34	23107	SUPPORT LEG BOTTOM 30 MM	1
35	23110	SUPPORT BRACKET AXLE FEM	1
36	23108	AXLE LEG BOTTOM 30 MM	2
37	23795	ASSY AXLE FEMALE PLUCKER	1
38	23864	ASSY AXLE MALE PLUCKER	1
39	23111	SUPPORT BRACKET AXLE MALE	1
40	23638	FEATHER PAN	1
41**	---	MOTOR ASSEMBLY	1
42	23112	WELDMENT FEATHER PLATE HUB	1
43	24017	CARABINER PLUCKER	4

* PARTS W1265V0903 AND 19905 INCLUDED IN KIT 11919

**MOTOR ASSEMBLY PARTS LIST LOCATED ON PAGE 14.

ILLUSTRATED PARTS BREAKDOWN: MOTOR GROUP

ITEM NO.	PART #	DESCRIPTION	QTY.
1	23119	OUTPUT SHAFT MOTOR	1
2	24004	BOLT M5 X 0.8 X 30 HEX	9
3	24005	WASHER M5 SPRING LOCK	9
4	23115	OIL SEAL RUBBER 35 MM OD	1
5	23120	FRONT MOTOR COVER	1
6	23128	BEARING 6205RS	1
7	24006	PIN 5MM X 12 GEAR BOX	2
8	23118	OUTPUT SHAFT GEAR	1
9	23129	BEARING 6003RS	1
10	23117	GASKET FRONT UPPER COVER	1
11	23122	OIL SEAL RUBBER 30 MM OD	3
12	23130	BEARING 6004RS	1
13*	---	ASSY ROTOR	---
14	23131	BEARING 6203RS	1
15	23121	GASKET MOTOR HOUSING	2
16*	---	ASSY MOTOR HOUSING	---
17	24014	REED SWITCH	1
18	24009	CAPACITOR MOTOR 1.5 HP	1
19	24008	SWITCH RESET MOTOR 1.5 HP	1
20	24012	GASKET TERMINAL BOX	1
21	24013	PLUG GFCI MOTOR	1
22	24015	COVER TERMINAL BOX	1
23	W1200202	FAN SHROUD MOTOR 1.5 HP	1
24	W1200236	FAN MOTOR 1.5 HP	1
25	24010	SWITCH ON/OFF MOTOR	1
26	24076	RELAY 120V X 120V	1
27	23866	NUT M4 X 0.7 X 3 HEX	2
28	23846	MAGNET SWITCH SHUT OFF	1
29	24082	SPACER PLASTIC SWITCH	1
30	24034	BOLT M4 X 0.7 X 25 PHILIPS	2



* PARTS ARE NOT SERVICABLE. ORDER PART 21833 FOR REPLACEMENT.

**WARRANTY TERMS AND CONDITIONS****PRODUCT WARRANTY: 1-YEAR LIMITED WARRANTY**

Ardisam, Inc. (Ardisam), a manufacturing company, warrants this product to be free from defects in the material or workmanship for a period of one year from the date of purchase. If there is insufficient evidence of the purchase date, the effective date of this warranty will begin on the plucker's date of manufacture. During the one-year warranty of this product, Ardisam will furnish, at their discretion, parts and labor to correct any defect caused by faulty material or workmanship. In no event shall recovery of any kind be greater than the amount of the purchase price of the product sold. Ardisam reserves the right to inspect any incoming units returned under warranty to determine if the warranty applies before performing any warranty related work (including parts and components). Any unit used in a commercial application, or producing income is covered for a period of 90 days after purchase. This warranty applies to the original owner with a proof of purchase and is not transferable. For the warranty to be valid, the product must be registered online, or the warranty card must be filled out and received by Ardisam, within 30 days of purchase. This warranty excludes fingers due to normal wear, wear items such as o-rings, seals, and lubricants. *These warranties apply only to products which have not been subjected to negligent use, abuse, misuse, overload, improper installation, alteration, accident, lightning, acts of God (or other events beyond Ardisam's control), vandalism, unauthorized parts, failure to use proper power source, or if repairs have been performed at a non-authorized service facility. These warranties shall not cover damage from normal wear and tear, normal maintenance parts and services; nor improper installation, operation, storage, or maintenance; nor operating the equipment above recommended maximums as stated in this manual. These warranties supersede all other warranties either expressed or implied and all other obligations or liabilities on the part of Ardisam. Ardisam, does not assume, and does not authorize any other person to assume for Ardisam, any liability in connection with the sale of Ardisam products. **To be at "No Charge," warranty work must be sent directly to and performed by Ardisam or an Ardisam Authorized Warranty Service Facility.** To obtain warranty service and/or replacement instructions, contact the Ardisam Customer Service Department at 800-345-6007. If you choose to ship your product to Ardisam for warranty repair, you must first have prior approval from Ardisam by calling the Ardisam Customer Service Department for a return material authorization number (RMA#). Under these circumstances, all items must be shipped prepaid. Ardisam will at no charge, repair or replace, at the discretion of Ardisam, any defective part which falls under the conditions stated above. Ardisam retains the right to change models, specifications and price without notice. Ardisam shall not be obligated to ship any repair or replacement product to any location outside of the United States of America or Canada. Some states and countries do not allow the limitations on how long an implied warranty lasts, or the exclusion or limitation of incidental or consequential damages, so the above limitation may not apply to you. This warranty gives you specific legal rights, and you may also have other rights which vary from state to state and country to country.

INTRODUCTION

Merci d'avoir acheté une plumeuse *Yardbird*. Nous nous sommes attachés à ce que cette plumeuse réponde aux plus hautes normes d'utilisation et de durabilité. Moyennant des soins corrects, elle offrira de nombreuses années de service fiable.

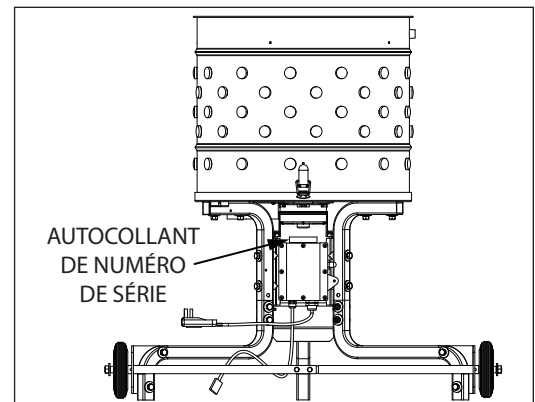
Lire ce manuel en entier avant installation et utilisation. Yardbird se réserve le droit de changer, modifier ou améliorer ce produit et cette documentation à tout moment sans préavis.

SOMMAIRE

Introduction / Enregistrement et service après-vente.....	16
Caractéristiques	17
Données techniques	18
Schéma de câblage	18
Avertissements et mesures de précaution.....	19
Autocollants de sécurité	20
Consignes générales de sécurité	21-22
Assemblage.....	22-23
Utilisation	24
Conseils et recommandations.....	24-25
Entretien	25
Dépannage	25
Illustration des pièces détachées	26-28
Garantie	29

Enregistrement et service après-vente

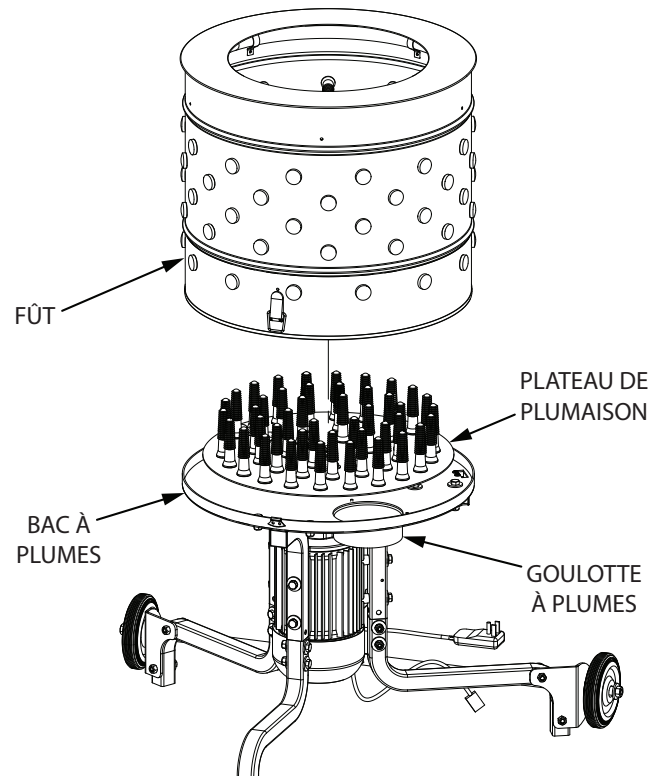
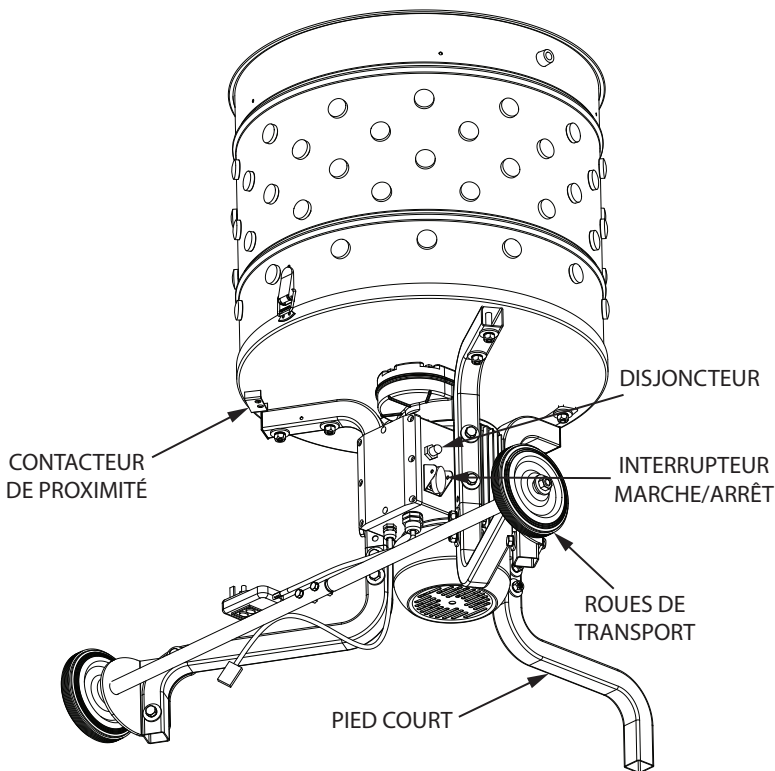
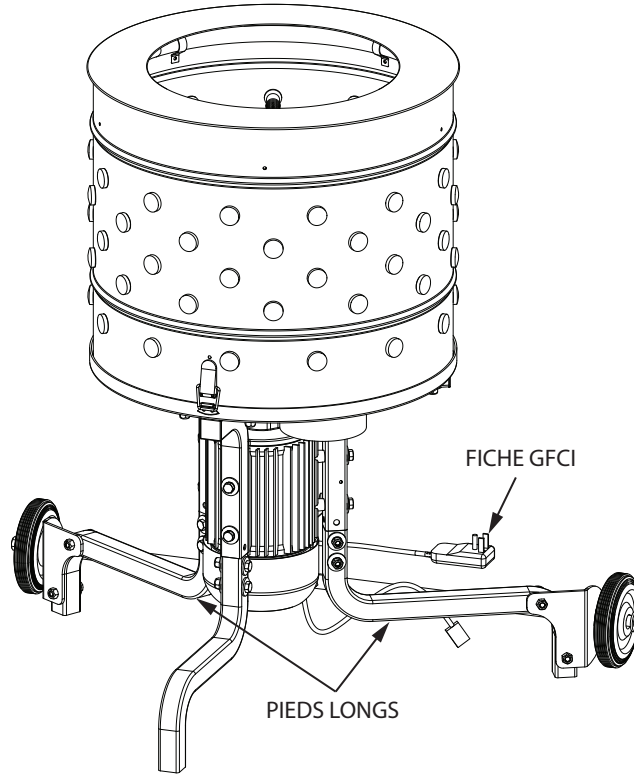
Consigner le numéro de modèle et le numéro de série du produit dans l'espace prévu pour y accéder facilement lors des commandes de pièces détachées ou demandes d'assistance technique. La garantie est valable uniquement si l'enregistrement dûment rempli est reçu par Yardbird dans les 30 jours après l'achat. **(POUR PLUS DE RENSEIGNEMENTS, VOIR LA SECTION SUR LA GARANTIE.)** L'enregistrement de la garantie peut se faire en ligne à www.yardbirdpluckers.com ou par courrier à : Yardbird, 1160 8th Avenue, Cumberland, WI 54829, États-Unis. Il est aussi possible d'appeler notre service après-vente au (800) 345-6007 du lundi au vendredi de 8h00 à 17h00 HNC.



RENSEIGNEMENTS SUR LE PROPRIÉTAIRE		
Nom du propriétaire :		
Adresse du propriétaire :		
Ville :	État/Province :	Code postal :
Numéro de modèle :	Numéro de série :	
Date d'achat :		
Notes :		

Lire ce manuel et le conserver pour toute consultation ultérieure. Ce manuel contient des renseignements importants sur la SÉCURITÉ, l'ASSEMBLAGE, l'UTILISATION et l'ENTRETIEN. Le client doit s'assurer que toute la documentation sur le produit est fournie avec l'appareil. Cette documentation comprend le MANUEL, la liste des PIÈCES DE RECHANGE et les GARANTIES. Cette documentation doit être fournie en vertu de la réglementation en vigueur. Toutes les personnes à qui cette machine est louée/prêtée doivent avoir accès à ces informations et les comprendre. Le présent manuel doit rester avec le produit, notamment s'il est revendu.

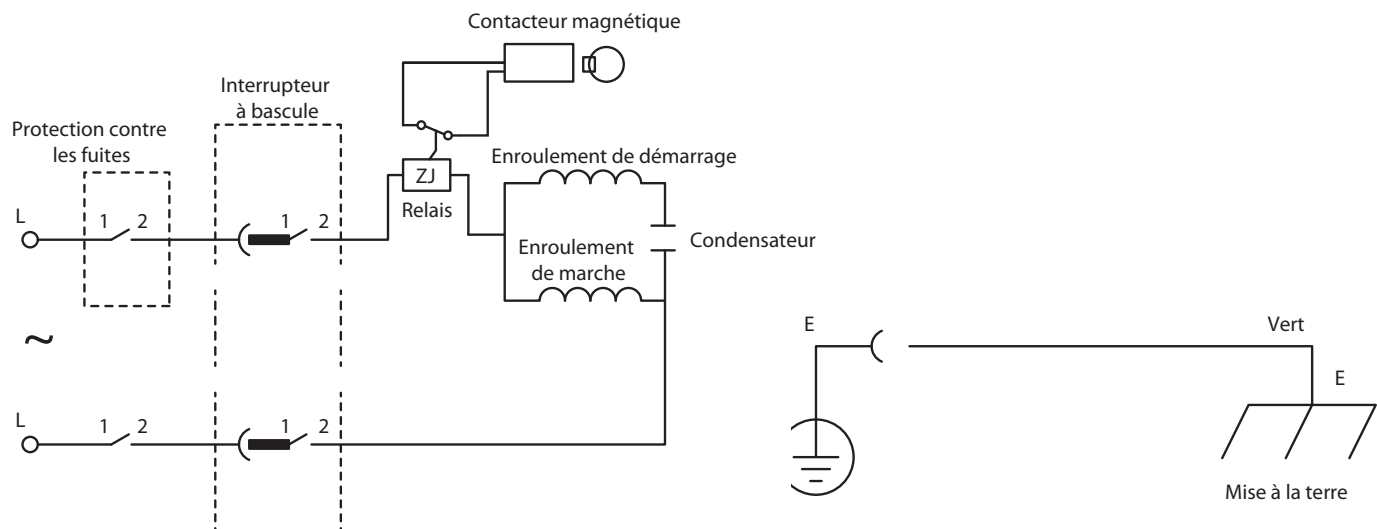
CARACTÉRISTIQUES



DONNÉES TECHNIQUES

TYPE D'ALIMENTATION	120 V MONOPHASÉ	FINITION DE LA VISSERIE	ZINGUÉE
ROUES FOURNIES	OUI, 2	MATIÈRE PREMIÈRE	ACIER INOXYDABLE
PUISSANCE (HP)	1,5	PIÈCES INCLUSES	(1) FÛT, (1) PLATEAU DE PLUMAISON, (1) CARTE DE GARANTIE, (1) VISSERIE DE FIXATION, (1) GROUPE MOTEUR, (3) PIEDS, (2) ROUES, (1) MANUEL DE L'UTILISATEUR, (2) ÉLÉMENTS D'AXE
VITESSE DE ROTATION (TR/MIN)	300	RÉSISTE AUX INTEMPÉRIES	OUI
DOIGTS	110	RÉSISTE À LA CORROSION	OUI
HAUTEUR DE L'EMBALLAGE - MM (POUCES)	526 (20,7)	RÉSISTE AUX UV	OUI
LARGEUR DE L'EMBALLAGE - MM (POUCES)	549 (21,6)	ANTIMICROBIEN	OUI
PROFONDEUR DE L'EMBALLAGE - MM (POUCES)	549 (21,6)	SERVICE INTENSIF	OUI
HAUTEUR ASSEMBLÉE - MM (POUCES)	914 (36)	CORDON ÉLECTRIQUE FOURNI	OUI
LARGEUR ASSEMBLÉE - MM (POUCES)	777 (30,6)	CONTACTEUR DE PROXIMITÉ DE SÉCURITÉ DU FÛT	OUI
PROFONDEUR ASSEMBLÉE - MM (POUCES)	678 (26,7)	UTILISATION À L'EXTÉRIEUR	OUI
TENSION (V)	120	UTILISATION COMMERCIALE	NON
PUISSANCE (W)	1 100	LONGUEUR DU CORDON - MM (POUCES)	1 829 (72)
INTENSITÉ NOMINALE MINIMALE (A)	15	DISJONCTEUR DIFFÉRENTIEL (GFCI)	OUI
POIDS BRUT - KG (LB)	39,9 (88)	ASSEMBLAGE REQUIS	OUI
POIDS NET - KG (LB)	37,6 (83)	OUTILLAGE NÉCESSAIRE POUR L'ASSEMBLAGE	CLÉS
FÛT AMOVIBLE	OUI	GARANTIE PRODUIT	UN AN
TYPE DE TRANSMISSION	ENGRENAGES	CERTIFIÉ CSA	OUI
DÉTAILS DE LA TRANSMISSION	ENGRENAGES HÉLICOÏDAUX EN ACIER ALLIÉ		
COURONNE D'ARROSAGE	OUI		
FINITION	ACIER INOXYDABLE ET REVÊTEMENT PONDRE		

SCHÉMA DE CÂBLAGE



AVERTISSEMENTS ET MESURES DE PRÉCAUTION

Responsabilité du propriétaire

L'assemblage correct et l'utilisation sûre et efficace de la plumeuse relèvent de la responsabilité de l'utilisateur.

- Lire et suivre toutes les instructions de sécurité.
- Suivre avec attention toutes les instructions d'assemblage.
- Entretien de la plumeuse conformément aux instructions et au calendrier figurant dans le manuel de l'utilisateur *Yardbird*.
- S'assurer que quiconque utilise la plumeuse est bien familiarisé avec toutes les commandes et mesures de précaution.

Messages spéciaux

Ce manuel contient des messages spéciaux attirant l'attention sur des problèmes de sécurité et dommages potentiels à la machine, ainsi que des informations utiles sur l'utilisation et l'entretien. Veiller à lire toutes ces informations avec attention pour éviter les blessures et les dommages à la machine.

REMARQUE : Des informations générales sont fournies à travers ce manuel pouvant aider l'opérateur dans l'utilisation ou l'entretien de la machine.

Mesures de précaution importantes

Veiller à lire cette section avec attention. Utiliser la plumeuse conformément aux instructions et conseils de sécurité fournis ici et tout au long du manuel. Quiconque utilise cette plumeuse doit lire les instructions et être familiarisé avec les commandes. Veiller à apprendre à contrôler la plumeuse à volaille dans toutes les situations.



Ce symbole signale des instructions de sécurité importantes qui doivent être respectées pour ne pas mettre en danger la sécurité des personnes. Lire et respecter toutes les instructions du manuel avant de tenter de faire fonctionner cet appareil.

- Ne pas laisser d'enfant utiliser cette plumeuse à volaille. Tenir les jeunes enfants à l'écart durant la marche de la plumeuse à volaille. Ne pas laisser d'adulte utiliser cette plumeuse à volaille sans instruction appropriée.



**Emploi prévu /
Emploi détourné prévisible**

Ceci est une plumeuse conçue pour enlever les plumes de la volaille. Elle ne doit être utilisée à aucune autre fin.

DANGER

DANGER INDIQUE QUE DES BLESSURES GRAVES OU LA MORT RÉSULTERAIENT SI LES INSTRUCTIONS DE SÉCURITÉ QUI SUIVENT CE MOT-INDICATEUR NE SONT PAS RESPECTÉES.

AVERTISSEMENT

AVERTISSEMENT INDIQUE UN DANGER QUI, S'IL N'EST PAS ÉVITÉ, PEUT PROVOQUER LA MORT OU DES BLESSURES CORPORELLES ET/OU DÉGÂTS MATÉRIELS GRAVES.

ATTENTION

ATTENTION INDIQUE LE RISQUE DE BLESSURES OU DE DOMMAGES MATÉRIELS SI LES INSTRUCTIONS DE SÉCURITÉ QUI SUIVENT CE MOT-INDICATEUR NE SONT PAS RESPECTÉES.

IMPORTANT

IMPORTANT SIGNALE DES INFORMATIONS UTILES CONCERNANT L'ASSEMBLAGE, L'UTILISATION OU L'ENTRETIEN DU MATÉRIEL.

AVERTISSEMENT

VEILLER À LIRE, À COMPRENDRE ET À RESPECTER TOUTES LES INSTRUCTIONS DE SÉCURITÉ ET D'UTILISATION FIGURANT DANS CE MANUEL AVANT DE TENTER D'INSTALLER ET DE FAIRE FONCTIONNER LA PLUMEUSE.

TOUT MANQUEMENT À OBSERVER LES INSTRUCTIONS DE SÉCURITÉ ET D'UTILISATION PEUT PROVOQUER DES BLESSURES CORPORELLES GRAVES POUR L'UTILISATEUR ET D'AUTRES PERSONNES PRÉSENTES ET DES DÉGÂTS MATÉRIELS. LE TRIANGLE DANS LE TEXTE SIGNIFIE QUE DES MISES EN GARDES ET AVERTISSEMENT IMPORTANTS DOIVENT ÊTRE SUIVIS.

AVERTISSEMENT

AVERTISSEMENT PROPOSITION 65 DE CALIFORNIE

CE PRODUIT CONTIENT DES SUBSTANCES CHIMIQUES DÉCLARÉES RESPONSABLES DE CANCER, MALFORMATIONS CONGÉNITALES OU AUTRES ANOMALIES DE LA REPRODUCTION PAR L'ÉTAT DE CALIFORNIE.

AUTOCOLLANTS DE SÉCURITÉ

Cette machine est conçue et fabriquée pour offrir toute la sécurité et la fiabilité qu'on est en droit d'attendre d'un leader du marché de l'outillage motorisé pour travaux extérieurs.

Bien que le présent manuel et les instructions de sécurité qu'il contient fournissent les connaissances de base nécessaires pour utiliser ce matériel efficacement et en toute sécurité, nous avons apposé plusieurs autocollants de sécurité sur la machine pour rappeler certaines informations importantes à l'opérateur durant l'utilisation de la machine.

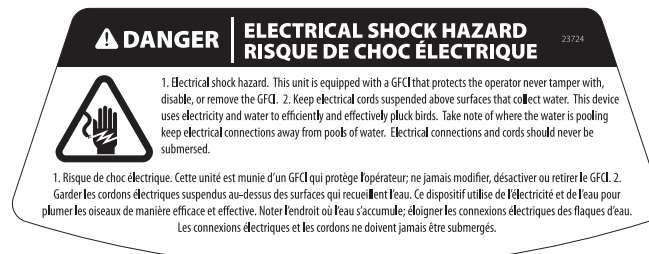
Tous les messages **DANGER, AVERTISSEMENT, ATTENTION** et d'instructions figurant sur la machine devront être lus avec attention et obéis. Tout manquement à respecter ces instructions peuvent provoquer des blessures corporelles. Ces informations de sécurité sont importantes! Les autocollants de sécurité ci-dessous sont apposés sur la machine.

Si certains manquent ou sont endommagés, veiller à les remplacer sans délai. Pour obtenir des autocollants de rechange, s'adresser au concessionnaire local ou directement à Yardbird.

Ces autocollants sont faciles à appliquer et constituent pour les utilisateurs un rappel visuel constant à respecter les mesures de précaution nécessaires à une exploitation sécuritaire et efficace de la machine.



N° réf. 23723
MOTEUR DE COUPLE ÉLEVÉ
Autocollant sur le fût



N° réf. 23724
DANGER DE CHOC ÉLECTRIQUE
Autocollant sur le fût



N° réf. 23725
TENIR LES MAINS À L'ÉCART
Autocollant sur le fût

CONSIGNES GÉNÉRALES DE SÉCURITÉ

- Lire, comprendre et respecter toutes les instructions figurant dans le manuel et sur la machine avant de la démarrer.
- Porter une tenue adaptée à l'utilisation de la machine. Toujours porter des chaussures robustes et des lunettes de sécurité. Ne jamais porter de sandales, de chaussures de sport ni de chaussures ouvertes et ne jamais utiliser la plumeuse pieds nus. Ne pas porter de vêtements amples susceptibles d'être happés dans les pièces en mouvement.
- Permettre l'utilisation de la machine uniquement à des adultes responsables familiarisés avec les instructions.
- Ne pas laisser d'enfant utiliser cette machine. Les adultes ne doivent pas utiliser cette machine sans instruction appropriée.
- Toujours garder le pied ferme et un solide équilibre lors du démarrage et de l'utilisation de la plumeuse à volaille.
- Utiliser la machine uniquement durant la journée ou sous une bonne lumière artificielle.
- Ne pas utiliser la machine alors qu'on est sous l'emprise d'alcool ou de drogue.
- Toujours porter une protection oculaire durant l'utilisation de cette machine.
- Garder à l'esprit que l'opérateur est responsable des dommages subis par d'autres personnes ou matériels.
- Ne jamais utiliser la machine si tous les carters de protection, plaques et autres dispositifs de sécurité ne sont pas en place.

SÉCURITÉ PROPRE AU PRODUIT

- Ne pas placer les mains ni les pieds près des pièces en rotation ou sous la machine. Se tenir en permanence à l'écart des ouvertures de décharge.
- Maintenir tous les boulons, vis et écrous bien serrés.
- Ne jamais laisser la machine en marche sans surveillance. Toujours ranger la machine dans un lieu d'entreposage sécuritaire lorsqu'elle n'est pas utilisée.
- Débrancher la machine avant toute opération d'entretien, de réparation ou de réglage lorsque la machine est utilisée.
- Ne jamais placer de volaille vivante dans la plumeuse. La volaille devra avoir été tuée et échaudée comme il se doit avant de passer dans la plumeuse.
- Éteindre la plumeuse et attendre son arrêt complet avant d'en sortir la volaille ou les plumes. Ne pas placer les bras, les mains ni aucune autre partie du corps à l'intérieur de la machine durant la plumaison ou la rotation.
- Tenir les mains hors de la goulotte à plumes. Ne pas tenter d'enlever des plumes ou autres débris de la goulotte alors que la machine est branchée. Débrancher la machine avant de la nettoyer ou d'éliminer les matières étrangères, telles que les têtes de volaille.
- Ne jamais altérer, neutraliser ni retirer le disjoncteur différentiel (GFCI).

DANGER

DANGER DE CHOC ÉLECTRIQUE. CETTE MACHINE EST ÉQUIPÉE D'UN DISJONCTEUR DIFFÉRENTIEL (GFCI) QUI PROTÈGE L'UTILISATEUR. NE JAMAIS ALTÉRER, NEUTRALISER NI RETIRER CE DISJONCTEUR.

DANGER

CE PRODUIT EST ÉQUIPÉ D'UN MOTEUR DE COUPLE ÉLEVÉ. POUR ÉVITER LES BLESSURES CORPORELLES GRAVES, NE PAS PORTER DES VÊTEMENTS AMPLES. ATTACHER LES CHEVEUX EN ARRIÈRE.

DANGER

NE JAMAIS FAIRE FONCTIONNER LA MACHINE ALORS QUE LE FÛT DE PLUMAIISON N'EST PAS EN PLACE, CAR DES PARTIES DU CORPS POURRAIENT ÊTRE HAPÉES ENTRE LE PLATEAU DE PLUMAIISON ET LE BAC À PLUMES. UN CONTACTEUR DE PROXIMITÉ EMPÊCHE LA MACHINE DE FONCTIONNER SANS LE FÛT. NE PAS NEUTRALISER CE CONTACTEUR.

SI LE CONTACTEUR N'INTERROMPT PAS LE FONCTIONNEMENT DE LA MACHINE LORSQUE LE FÛT EST DÉPOSÉ DU BAC À PLUMES, CHANGER LE CONTACTEUR.

AVERTISSEMENT

TENIR LES MAINS À L'ÉCART DES PIÈCES EN MOUVEMENT. NE JAMAIS PLACER LES MAINS NI AUCUNE AUTRE PARTIE DU CORPS PLUS BAS QUE LE HAUT DU FÛT DE PLUMAIISON DURANT LA MARCHÉ DE LA PLUMEUSE.

DANGER

TENIR LES MAINS HORS DE GOULOTTE À PLUMES. NE PAS TENTER D'ENLEVER DES PLUMES OU AUTRES DÉBRIS DE LA GOULOTTE ALORS QUE LA MACHINE EST BRANCHÉE. DÉBRANCHER LA MACHINE AVANT DE LA NETTOYER OU D'ÉLIMINER LES MATIÈRES ÉTRANGÈRES, TELLES QUE LES TÊTES DE VOLAILLE.

DANGER

TENIR LES CORDONS ÉLECTRIQUES SUSPENDUS AU-DESSUS DES SURFACES OÙ L'EAU S'ACCUMULE. CETTE MACHINE UTILISE DE L'ÉLECTRICITÉ ET DE L'EAU POUR PLUMER EFFICACEMENT LA VOLAILLE. OBSERVER À QUELS ENDROITS L'EAU S'ACCUMULE ET TENIR LES RACCORDEMENTS ÉLECTRIQUES À L'ÉCART DES FLAQUES D'EAU. LES CORDONS ET RACCORDEMENTS ÉLECTRIQUES NE DOIVENT JAMAIS ÊTRE IMMÉRÉS.

- Tenir tous les cordons et raccordements électriques à l'écart des flaques d'eau. Les cordons et raccordements électriques ne doivent jamais être immergés dans l'eau.

DÉBALLAGE ET ASSEMBLAGE

Outillage nécessaire pour l'assemblage :

- Clé de 10 mm (2)
- Clé de 13 mm (2)
- Clé de 16 mm (2)

ASSEMBLAGE

- Ouvrir le dessus du carton d'emballage et retirer le bloc de calage en polystyrène expansé avec le trou au centre. **VOIR FIGURE 1**
- Placer le bloc en polystyrène sur une surface plane à l'endroit prévu pour l'assemblage. Retirer l'ensemble motoréducteur et bac à plumes du carton et le poser avec l'arbre en bas (moteur en haut) à travers le trou dans le bloc en polystyrène.
- Sortir le contenu restant de l'emballage et vérifier qu'il ne manque rien :
 - Contenu du carton d'emballage :
 - Élément d'axe (2)
 - Plateau de plumaison
 - Fût de plumaison
 - Pied long (2)
 - Pied court
 - Roue (2)
 - Un sachet de visserie contenant :
 - Vis M8 x 1,25 x 40 (6)
 - Vis M8 x 1,25 x 20 (1)
 - Vis M6 x 1,0 x 28 (2)
 - Rondelle plate M8 x 24 x 2,2 (12)
 - Rondelle-frein élastique M8 (7)
 - Rondelle bombée M8 x 30 (1)
 - Rondelle-frein élastique M6 (2)
 - Rondelle plate M10 (2)
 - Écrou-frein à bague nylon M6 x 1,0 (2)
 - Écrou-frein à bague nylon M10 (2)
 - Mousqueton (4)
 - Doigt de rechange 46 mm (1)
- Monter les roues sur l'axe (**VOIR FIGURE 2**). Pour chaque élément d'axe :
 - Poser la roue sur le bout fileté de l'élément d'axe.
 - Poser une rondelle M10 contre l'extérieur de la roue, puis un écrou M10 contre la rondelle. Utiliser une clé de 16 mm pour serrer l'écrou de roue jusqu'à ce qu'il appuie contre la rondelle et que la bague de freinage en nylon de soit complètement engagée sur le filetage d'axe.
- Monter les pieds sur l'ensemble motoréducteur et bac à plumes. (**VOIR FIGURE 3**)
 - Placer les deux longs pieds de part et d'autre de la boîte de jonction du moteur et aligner les trous de vis. Enfiler le pied court dans le logement de pied restant.
REMARQUE : Chaque pied est unique et non interchangeable. Les longs pieds comportent des supports d'axe de roue et doivent être montés de telle façon que les supports d'axe soient parallèles l'un à l'autre. (VOIR FIGURE 3)
 - Pour chaque pied, poser deux vis M8 x 40 et deux rondelles plates M8 à travers l'un des côtés du pied, puis deux rondelles plates M8, deux rondelles-freins élastiques M8 et deux écrous-freins à bague nylon M8 sur le côté opposé. Serrer à l'aide d'une clé de 13 mm.
- Monter l'axe sur les pieds. (**VOIR FIGURE 4 ET 5**)
 - Enfiler les éléments d'axe à travers chaque support d'axe et aligner les trous. Assembler les deux éléments d'axe l'un à l'autre à l'aide de deux vis M6, deux rondelles-freins élastiques M6 et deux écrous-freins à disque nylon M6.
 - Retourner l'ensemble motoréducteur et bac à plumes pour le poser à l'endroit sur les pieds.
- Déposer le plateau de plumaison du fût.
REMARQUE : Pour faciliter l'enlèvement du plateau de plumaison, le poser sur le côté et le soulever en diagonale.
- Insérez 46 mm plumeuse doigt dans l'ouverture sur le dessous de plaque de plumes. (**VOIR FIGURE 6**)
REMARQUE : Le doigt doit être installé dans la même direction que les deux 46 autres doigts mm pour un fonctionnement correct.
- Enfiler la clavette dans l'arbre de sortie. (**VOIR FIGURE 7**)
- Appliquer de la graisse sur l'arbre moteur.
- Aligner la rainure du plateau de plumaison et la clavette dans l'arbre et mettre le plateau en place.
REMARQUE : L'encoche du plateau de plumaison n'est pas toujours alignée avec la rainure de clavette du moyeu de plateau de plumaison.
- Poser une vis de 8 mm, une rondelle-frein M8 et une rondelle d'espacement bombée de 8 mm sur l'arbre. Serrer à l'aide d'une clé de 13 mm. (**VOIR FIGURE 7**)
REMARQUE : Bolt a laissé fil de la main.
- Placer le fût dans le bac à plumes.
REMARQUE : Le contacteur magnétique à lames dans le bac à plumes doit IMPÉRATIVEMENT être aligné avec l'aimant dans le fût. Aligner l'étiquette de flèche sur le fût et la flèche sur le bac à plumes. (VOIR FIGURE 8)
 - Fermer les loquets. Des mousquetons sont fournis pour verrouiller les loquets.
 - Placer un seau (non fourni) sous la goulotte à plumes.
 - Raccorder un tuyau d'arrosage (non fourni).
REMARQUE : Il est conseillé de monter une vanne sur le fût puis d'y raccorder le tuyau d'arrosage. Cela permet de couper l'eau sur la machine plutôt qu'au niveau du robinet d'alimentation. Si une vanne en Y est utilisée, un second tuyau peut être raccordé pour le lavage et le remplissage de l'échaudoir.

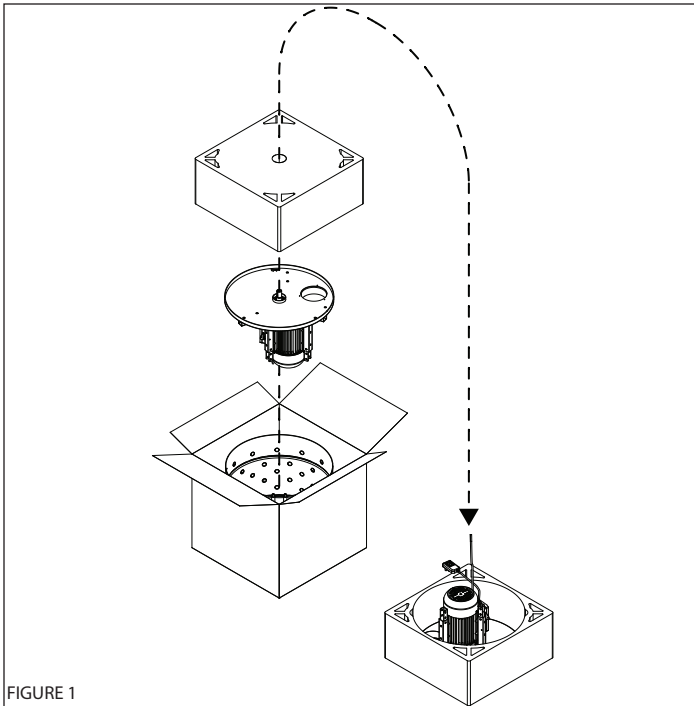


FIGURE 1

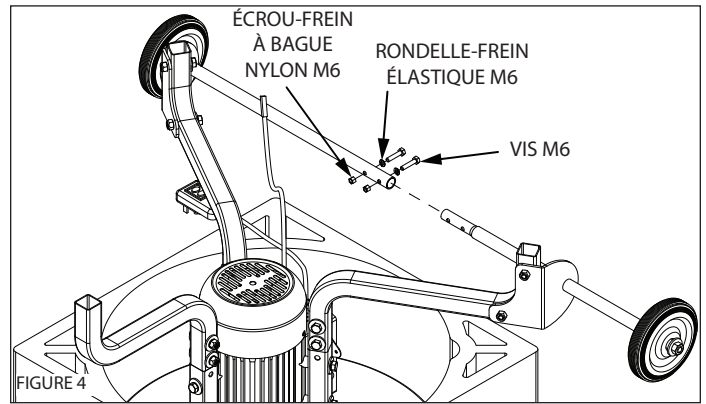


FIGURE 4

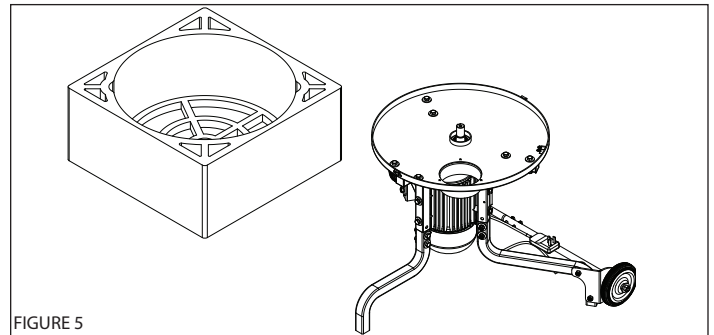


FIGURE 5

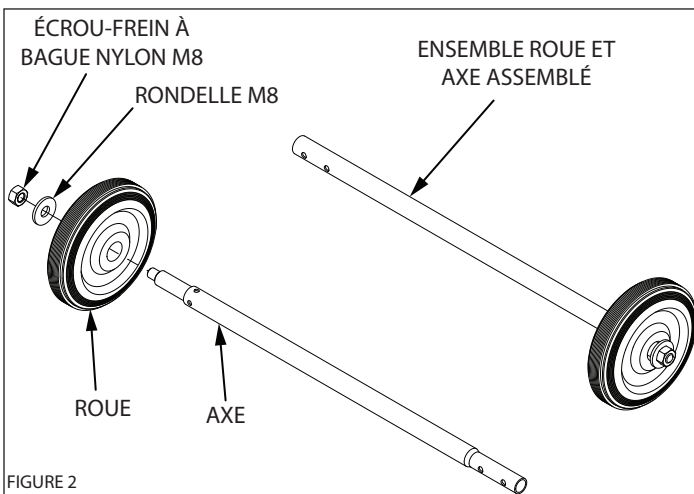


FIGURE 2

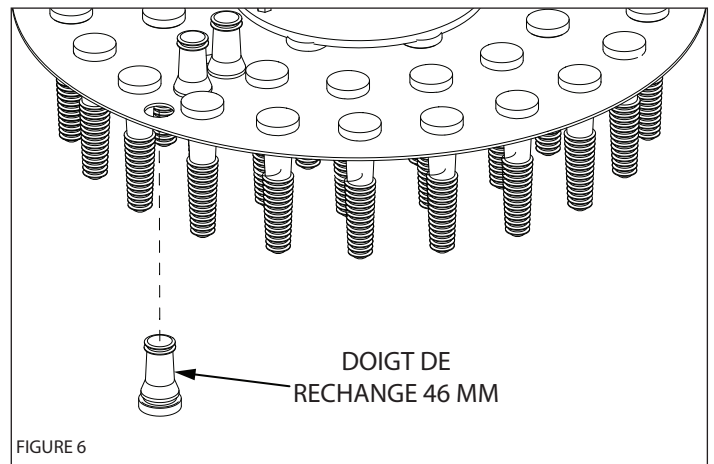


FIGURE 6

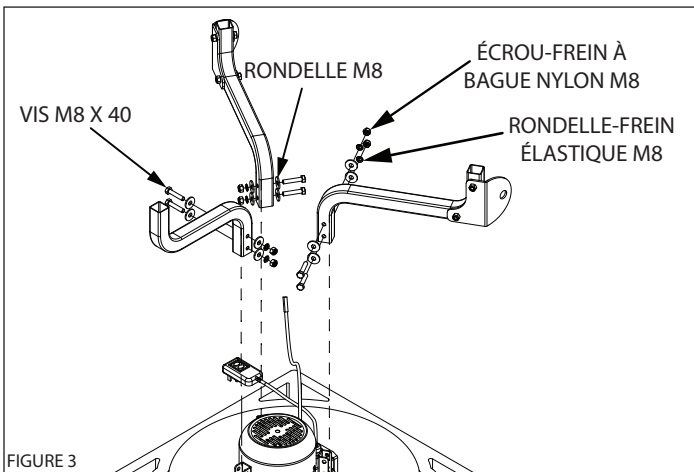


FIGURE 3

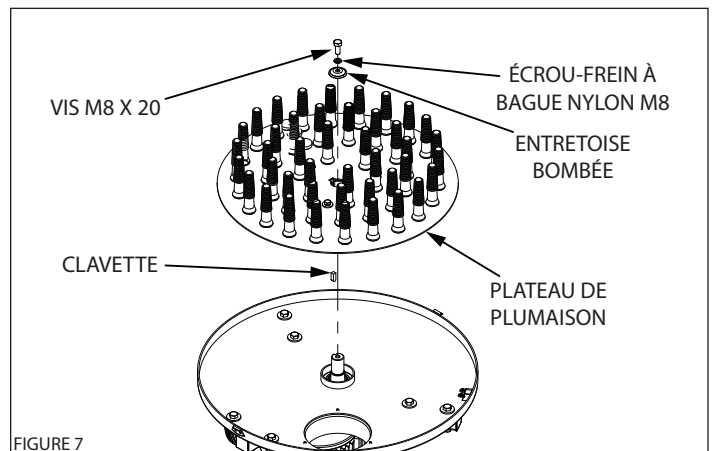


FIGURE 7

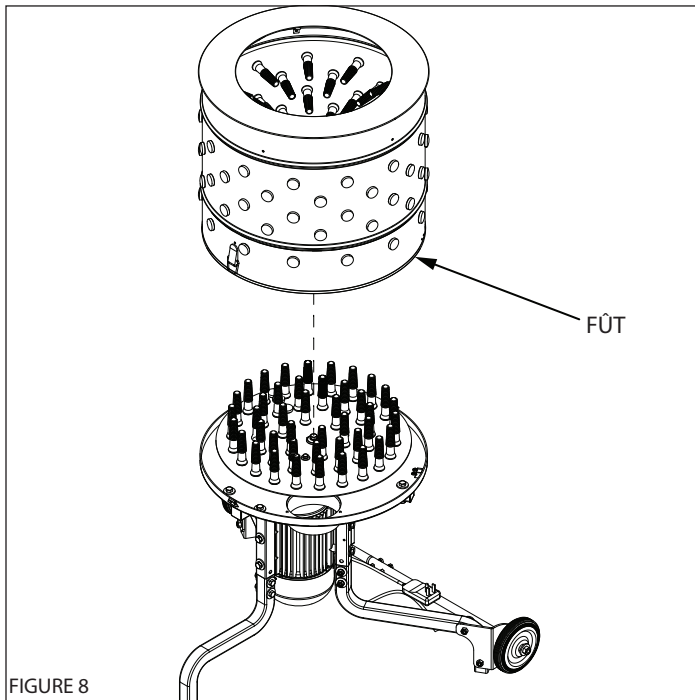


FIGURE 8

UTILISATION

Contrôle avant démarrage

1. Vérifier le bon fonctionnement de tous les mécanismes de sécurité, notamment du disjoncteur différentiel et du contacteur de proximité du fût.

2. Vérifier le bon serrage de tous les écrous et vis.

REMARQUE : Il est conseillé de vérifier le serrage de toute la visserie (écrous, vis, etc.) avant chaque utilisation. Les vibrations de la machine peuvent les desserrer.

3. Tenir les raccordements électriques hors des endroits où l'eau peut s'accumuler.

Démarrage

1. Après avoir branché la plumeuse à volaille, toujours appuyer sur le bouton de réarmement du disjoncteur différentiel. Sans cela, la machine ne démarre pas.

REMARQUE : Ne jamais désactiver le disjoncteur différentiel. L'opérateur est souvent debout dans une flaque d'eau durant l'utilisation de cet appareil électrique. Le disjoncteur différentiel assure que tout le courant électrique est consommé par le moteur et qu'aucun courant ne peut provoquer de choc électrique.

2. Mettre l'interrupteur à bascule en position **Marche** avant de placer les volailles dans la plumeuse. Le fait de démarrer la plumeuse avec les volailles au contact du plateau de plumaison accroît l'appel de courant de la machine et réduit la durabilité des composants électriques.
3. Ouvrir la couronne d'arrosage.
4. Mettre une ou deux volailles échaudées comme il se doit dans la plumeuse et laisser faire la machine jusqu'à ce que toutes les plumes soient détachées.

Une volaille convenablement échaudée se plume en 15 secondes environ.

Mise à l'arrêt

1. Pour mettre la plumeuse à volaille à l'arrêt, mettre l'interrupteur à bascule en position **Arrêt**.

REMARQUE : Ne PAS saisir la volaille avant l'arrêt complet de la machine.

2. Débrancher le disjoncteur différentiel lorsqu'on a fini d'utiliser la machine.

⚠ DANGER

NE JAMAIS FAIRE FONCTIONNER LA MACHINE ALORS QUE LE FÛT DE PLUMAISON N'EST PAS EN PLACE, CAR DES PARTIES DU CORPS POURRAIENT ÊTRE HAPPÉES ENTRE LE PLATEAU DE PLUMAISON ET LE BAC À PLUMES. UN CONTACTEUR DE PROXIMITÉ EMPÊCHE LA MACHINE DE FONCTIONNER SANS LE FÛT. NE PAS NEUTRALISER CE CONTACTEUR.

SI LE CONTACTEUR N'INTERROMPT PAS LE FONCTIONNEMENT DE LA MACHINE LORSQUE LE FÛT EST DÉPOSÉ DU BAC À PLUMES, CHANGER LE CONTACTEUR.

⚠ DANGER

TENIR LES CORDONS ÉLECTRIQUES SUSPENDUS AU-DESSUS DES SURFACES OÙ L'EAU S'ACCUMULE. CETTE MACHINE UTILISE DE L'ÉLECTRICITÉ ET DE L'EAU POUR PLUMER EFFICACEMENT LA VOLAILLE. OBSERVER À QUELS ENDROITS L'EAU S'ACCUMULE ET TENIR LES RACCORDEMENTS ÉLECTRIQUES À L'ÉCART DES FLAQUES D'EAU. LES CORDONS ET RACCORDEMENTS ÉLECTRIQUES NE DOIVENT JAMAIS ÊTRE IMMERGÉS.

⚠ AVERTISSEMENT

TENIR LES MAINS À L'ÉCART DES PIÈCES EN MOUVEMENT. NE JAMAIS PLACER LES MAINS NI AUCUNE AUTRE PARTIE DU CORPS PLUS BAS QUE LE HAUT DU FÛT DE PLUMAISON DURANT LA MARCHÉ DE LA PLUMEUSE.

⚠ DANGER

DANGER DE CHOC ÉLECTRIQUE. CETTE MACHINE EST ÉQUIPÉE D'UN DISJONCTEUR DIFFÉRENTIEL (GFCI) QUI PROTÈGE L'UTILISATEUR. NE JAMAIS ALTÉRER, NEUTRALISER NI RETIRER CE DISJONCTEUR.

Conseils et recommandations

1. Yardbird conseille de manipuler les volailles par les pattes et de trancher l'artère carotide alors que la volaille est immobilisée dans un cône d'abattage afin de limiter les contusions et les lésions. Par ailleurs, les volailles se plument mieux si elles sont moins tendues.
2. L'eau d'échaudage doit être de 60 à 66 degrés Celsius (140 à 150 degrés Fahrenheit) environ. L'eau d'échaudage est suffisamment chaude pour ébouillanter l'opérateur. Il est conseillé de porter d'épais gants en caoutchouc. Le port d'épais gants en caoutchouc pour plonger les volailles dans l'eau permet à l'eau de pénétrer la peau de la volaille tout en gardant les mains au frais.

3. L'ajout de détergent à vaisselle dans l'eau d'échaudage facilite la pénétration de l'eau chaude dans la peau. Le plumage des volailles ont couvertes d'huile et la dissolution de cette huile permet à l'eau chaude d'atteindre la peau. L'eau chaude détend les muscles qui maintiennent les plumes en place.
4. Changer l'eau d'échaudage lorsqu'elle est sale ou grasse.
5. Passer les volailles directement de l'échaudoir à la plumeuse. Un délai entre ces deux étapes permet à la rigidité de s'installer et il est possible que les ailes et les pattes protègent certaines parties de la volaille si elles deviennent trop raides.
6. Pour la volaille, vérifier l'échaudage sur les plumes les plus grandes. Une fois que les plus grandes plumes se détachent facilement à la main, la plumeuse arrachera rapidement toutes les plumes. Les plus grandes plumes se trouvent sur les ailes et la queue.
7. Si la plumeuse déchire la peau de la volaille, c'est que celle-ci a été échaudée trop longtemps ou que l'eau d'échaudage est trop chaude.
8. La plumeuse Yardbird accepte jusqu'à deux volailles de 3,6 kg (8 lb) à la fois.
9. L'Internet comprend de nombreuses ressources sur l'abattage, l'échaudage et l'éviscération. Une même technique ne répondra pas aux besoins de chaque utilisateur et, avec le temps, chacun ajustera le processus à ses besoins particuliers.
10. Le gibier d'eau est beaucoup plus difficile à plumer que la volaille. Toutefois, il est possible de bien plumer du gibier d'eau avec la plumeuse Yardbird.

Ces oiseaux sont extrêmement huileux et nécessitent plus de détergent dans l'eau d'échaudage pour dissoudre l'huile. Contrairement à la volaille, les plumes de vérification sur le gibier d'eau devront être arrachées des zones où les plumes sont fortement attachées (poitrine et pelvis).

Lors du plumage de gibier d'eau, surveiller l'accumulation d'huile dans l'eau d'échaudage. Changer l'eau ou ajouter du détergent à vaisselle comme il se doit.

ENTRETIEN

Nettoyage

Nettoyer la plumeuse à volaille après chaque utilisation.

Pour nettoyer la plumeuse à volaille :

1. Faire fonctionner la plumeuse pendant deux minutes avec la couronne d'arrosage ouverte. Cela entraîne la majorité des plumes du plateau de plumaison et du bac à plumes hors de la machine par la goulotte à plumes.
2. Démontez le fût du bac à plumes. Rincer les plumes et autres débris.

REMARQUE : Il est conseillé de nettoyer avec de l'eau et de l'eau de Javel.

3. Basculer la machine à l'écart de l'utilisateur et arroser au jet d'eau le dessous du plateau de plumaison pour éliminer les plumes et débris qui se trouvent entre le plateau de plumaison et le bac à plumes.
4. Démontez le plateau de plumaison, contrôler la zone qui entoure l'arbre et éliminer les plumes et débris.

REMARQUE : Cette opération n'est à faire qu'une fois par an.

- La Yardbird ne comporte pas de courroie et le groupe motoréducteur est étanche et sans entretien.
- Chaque fois que le plateau de plumaison est démonté (une fois par an), graisser l'arbre avec une graisse de qualité alimentaire afin que le plateau de plumaison puisse être facile à démonter l'année suivante.
- Vérifier que les doigts de plumeuse en caoutchouc naturel ne sont pas fendillés ni déchirés. Utiliser des doigts de rechange de marque Yardbird.
- Bien que la plumeuse soit conçue pour fonctionner à l'extérieur et être exposée à l'eau et au soleil, il est conseillé de l'entreposer à l'intérieur et couverte. Cela prolonge la durée de service des doigts en caoutchouc et des composants du moteur.

DANGER

TENIR LES MAINS HORS DE GOULOTTE À PLUMES. NE PAS TENTER D'ENLEVER DES PLUMES OU AUTRES DÉBRIS DE LA GOULOTTE ALORS QUE LA MACHINE EST BRANCHÉE. DÉBRANCHER LA MACHINE AVANT DE LA NETTOYER OU D'ÉLIMINER LES MATIÈRES ÉTRANGÈRES, TELLES QUE LES TÊTES DE VOLAILLE.

DÉPANNAGE ET RÉPARATION

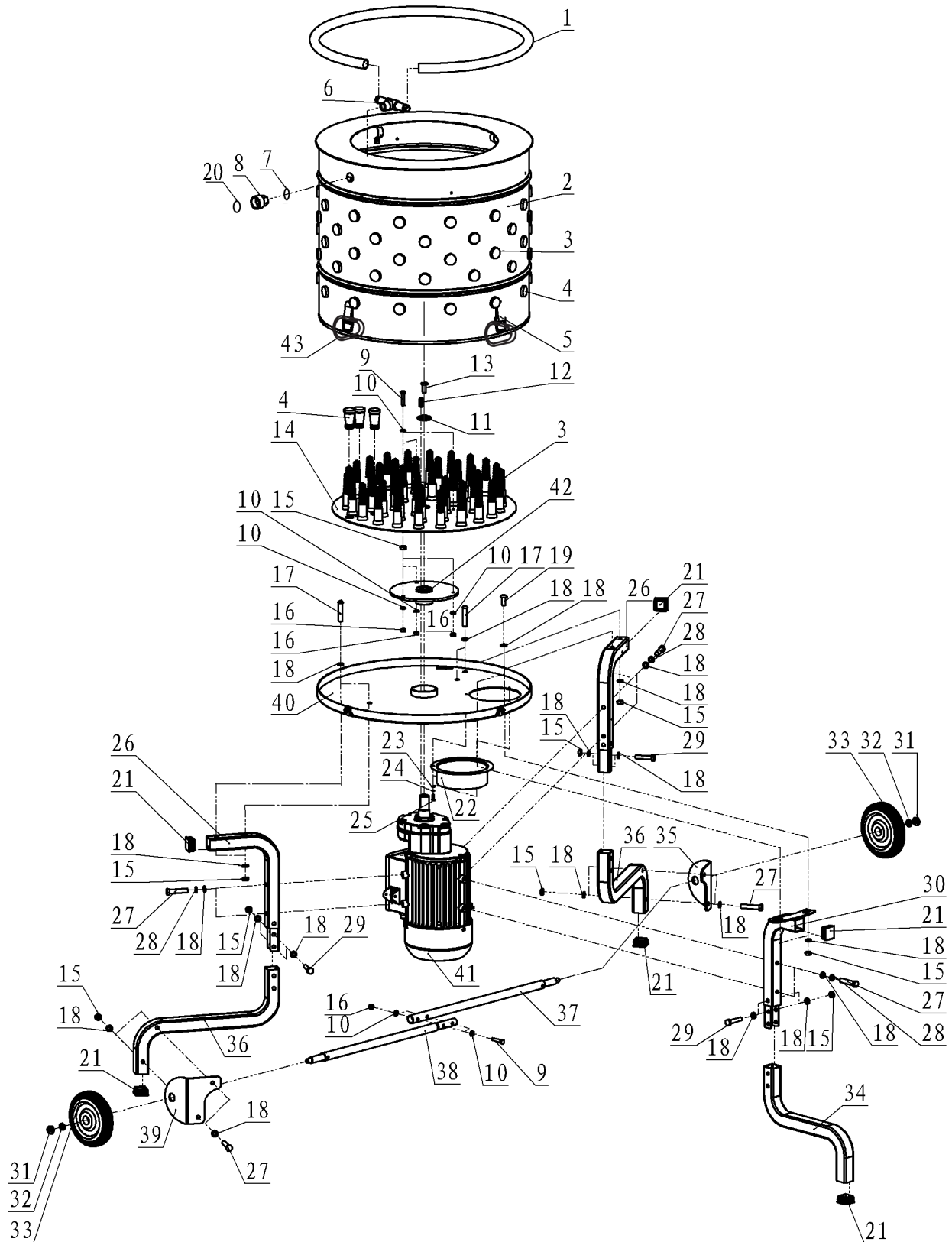
En cas de problèmes de fonctionnement de la plumeuse, suivre les suggestions figurant dans le guide de dépannage dans cette section. Ce guide aide à diagnostiquer les causes des problèmes les plus courants et à identifier leurs solutions.

Pour recourir au service après-vente, NE PAS renvoyer la machine au revendeur. Communiquer avec Yardbird au 800-345-6007, du lundi au vendredi, de 8h00 à 17h00.

PROBLÈME	SOLUTION/ACTION
La machine ne démarre pas	<ul style="list-style-type: none"> • Réarmer le disjoncteur différentiel • Mettre l'interrupteur à bascule en position Marche • Vérifier que l'aimant dans le fût est placé au-dessus du contacteur magnétique à lames du bac à plumes. <p>REMARQUE : L'aimant doit être placé suffisamment près du contacteur magnétique à lames pour fonctionner correctement.</p>

* Appeler le 800-345-6007 pour commander des pièces de rechange

ILLUSTRATION DES PIÈCES DÉTACHÉES : APPAREIL PRINCIPAL



REPÈRE	# RÉF.	DESCRIPTION	QTÉ
1	23632	TUYAU D'ARROSAGE D'EAU DU FÛT	1
2	24018	FÛT AVEC PINCES À TUYAU	1
3	22577	DOIGT DE RECHANGE 98 MM	95
4	22697	DOIGT DE RECHANGE 46 MM	13
5	23646	LOQUET À BOUCLE	4
6	23649	RACCORD EN TÉ 3/4 NPT X CANNELÉ X CANNELÉ	1
7	23924	JOINT TORIQUE 24 X 26 X 3,5 MM	1
8	23844	RACCORD 3/4 FNPT X PIVOT TUYAU D'ARROSAGE	1
9	10677	VIS TÊTE HEXA M6 X 1,0 X 30	2
10	18130	RONDELLE-FREIN ÉLASTIQUE M6	10
11	23840	RONDELLE BOMBÉE M8 X 30	1
12	24016	CLAVETTE CARRÉE 6 X 6 X 17,4	1
13	24545	VIS TÊTE HEXA M8 X 1,25 X 20 A LAISSÉ FIL DE LA MAIN	1
14	23639	PLATEAU DE PLUMAIISON	1
15	400023	ÉCROU-FREIN BAGUE NYLON M8	16
16	4650	ÉCROU-FREIN BAGUE NYLON M6 X 1,0	5
17	24032	VIS TÊTE PHILIPS M8 X 1,25 X 45	4
18	3245	RONDELLE PLATE M8 X 24 X 2,2	32
19	24033	VIS TÊTE PHILIPS M8 X 1,25 X 20	2
20	23925	JOINT TORIQUE 26 X 21 X 3 MM	1
21	23636	BOUCHON TUBE CARRÉ 30 MM	6

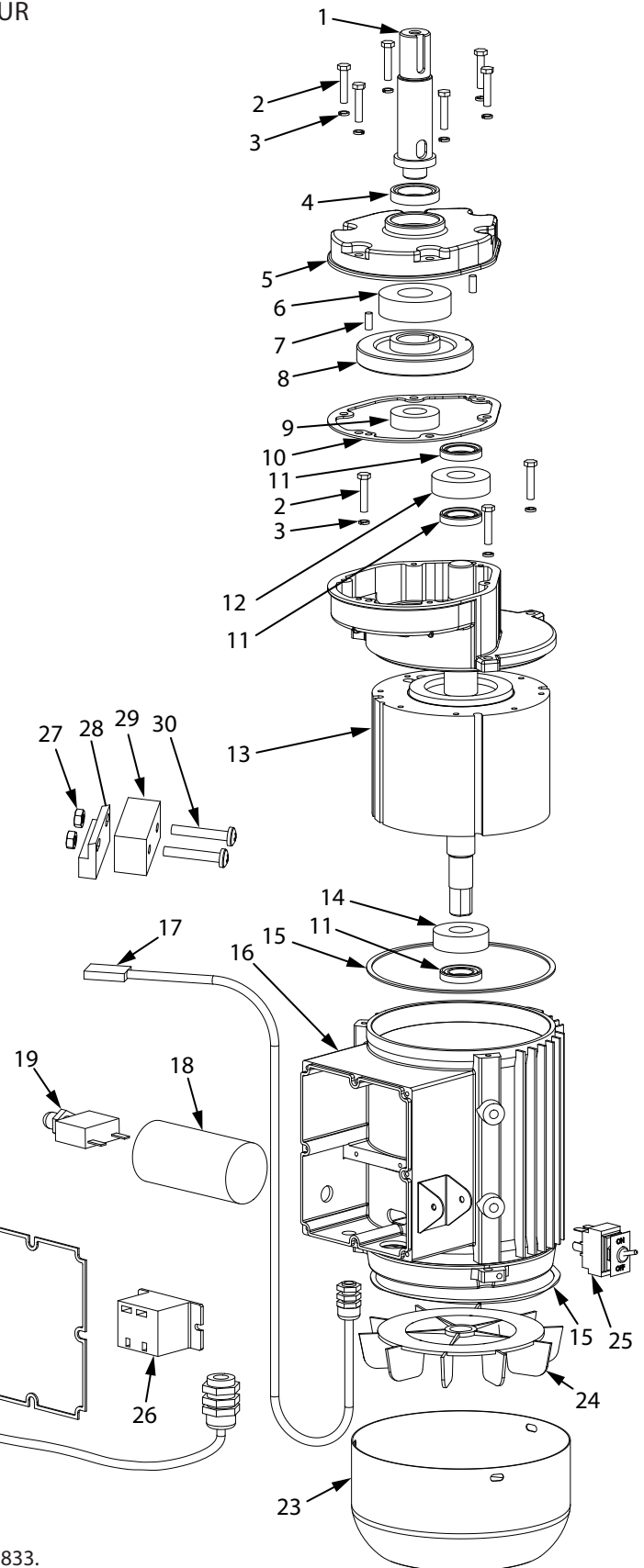
REPÈRE	# RÉF.	DESCRIPTION	QTÉ
22	23637	GOULOTTE À PLUMES	1
23	4692	RONDELLE PLATE M4	3
24	22024	RONDELLE-FREIN ÉLASTIQUE M4	3
25	12419	VIS TÊTE PHILIPS M4 X 0,7 X 8	3
26	23104	PIED D'AXE HAUT 30 MM	2
27	18098	VIS TÊTE HEXA M8 X 1,25 X 45	8
28	21640	RONDELLE-FREIN ÉLASTIQUE M8	6
29	12770	VIS TÊTE HEXA M8 X 1,25 X 40	3
30	23089	PIED D'APPUI HAUT 30 MM	1
31*	W1265V0903	ÉCROU-FREIN BAGUE NYLON M10 X 1,5	2
32*	19905	RONDELLE PLATE M10 X 20 X 2	2
33*	11919	NÉCESSAIRE ROUE AVEC VISSERIE	1
34	23107	PIED D'APPUI BAS 30 MM	1
35	23110	SUPPORT D'AXE FEMELLE	1
36	23108	PIED D'AXE BAS 30 MM	2
37	23795	ÉLÉMENT D'AXE FEMELLE	1
38	23864	ÉLÉMENT D'AXE MÂLE	1
39	23111	SUPPORT D'AXE MÂLE	1
40	23638	BAC À PLUMES	1
41	---	BLOC MOTEUR	1
42	23112	MOYEU MÉCANOSOUDE PLATEAU PLUM	1
43	24017	MOUSQUETON	4

* PIÈCES W1265V0903 ET 19905 COMPRISES DANS LE NÉCESSAIRE 11919

** LA LISTE DES PIÈCES DU BLOC MOTEUR EST À LA PAGE 28.

ILLUSTRATION DES PIÈCES DÉTACHÉES : GROUPE MOTEUR

REPÈRE	# RÉF.	DESCRIPTION	QTÉ
1	23119	ARBRE DE SORTIE DU MOTEUR	1
2	24004	VIS TÊTE HEXA M5 X 0,8 X 30	9
3	24005	RONDELLE-FREIN ÉLASTIQUE M5	9
4	23115	JOINT HUILE CAOUTCHC DIA. EXT. 35 MM	1
5	23120	CAPOT MOTEUR AVANT	1
6	23128	ROULEMENT 6205RS	1
7	24006	GOUPILLE 5 MM X 12 DE RÉDUCTEUR	2
8	23118	ARBRE DE SORTIE RÉDUCTEUR	1
9	23129	ROULEMENT 6003RS	1
10	23117	JOINT CAPOT SUPÉRIEUR AVANT	1
11	23122	JOINT HUILE CAOUTCHC DIA. EXT. 30 MM	3
12	23130	ROULEMENT 6004RS	1
13*	---	ROTOR	---
14	23131	ROULEMENT 6203RS	1
15	23121	JOINT DE CARTER DE MOTEUR	2
16*	---	CARTER DE MOTEUR	---
17	24014	CONTACTEUR À LAMES	1
18	24009	CONDENSATEUR MOTEUR 1,5 HP	1
19	24008	INTERRUPTEUR RÉARMEMENT MOTEUR 1,5 HP	1
20	24012	JOINT BOÎTE DE RACCORDEMENT	1
21	24013	FICHE GFCI DU MOTEUR	1
22	24015	COUVERCLE BOÎTE RACCORDMT	1
23	W1200202	CAPOT DE VENTILATEUR MOTEUR 1,5 HP	1
24	W1200236	VENTILATEUR MOTEUR 1,5 HP	1
25	24010	INTERRUPTEUR M/A MOTEUR	1
26	24076	RELAIS 120 V X 120 V	1
27	23866	ÉCROU HEXA M4 X 0,7 X 3	2
28	23846	AIMANT CONTACTEUR D'ARRÊT	1
29	24082	ENTRETOISE PLASTIQUE DE CONTACTEUR	1
30	24034	VIS TÊTE PHILIPS M4 X 0,7 X 25	2



* PIÈCES NON RÉPARABLES. COMMANDER LA PIÈCE DE RECHANGE RÉF. 21833.

**MODALITÉS ET CONDITIONS DE LA GARANTIE****GARANTIE PRODUIT : GARANTIE LIMITÉE 1 ANS**

Ardisam, Inc. (Ardisam) une entreprise de fabrication, garantit ce produit pièces et main-d'œuvre pendant une durée d'un an à compter de la date d'achat. En cas de preuve insuffisante de la date d'achat, le début de la période de garantie sera la date de fabrication de la plumeuse. Durant la période de garantie d'un an de ce produit, Ardisam fournira, à son entière discrétion, les pièces et la main-d'œuvre nécessaires pour corriger toute défaillance résultant de défauts de matériel ou de fabrication. La réparation, quelle qu'en soit la nature, ne saurait en aucun cas être supérieure au montant du prix d'achat du produit. Ardisam se réserve le droit de contrôler à la réception tous les articles renvoyés sous garantie pour déterminer si la garantie s'applique avant de procéder à toute intervention en rapport avec la garantie (y compris les pièces et composants). Tout article utilisé dans le cadre d'une activité commerciale ou générant du revenu est couvert pendant une durée de 90 jours après l'achat. Cette garantie s'applique au propriétaire initial disposant d'un justificatif d'achat et n'est pas transférable. Pour que la garantie soit valable, le produit doit être enregistré en ligne ou la carte de garantie doit être remplie et reçue par Ardisam dans les 30 jours après l'achat. La présente garantie exclut les doigts en raison de l'usure normale, les pièces d'usure telles que les joints toriques, les joints d'étanchéité et les lubrifiants. *Ces garanties s'appliquent uniquement à des produits qui n'ont pas subi une utilisation négligente, abusive ou détournée, une surcharge, une installation incorrecte, une altération, un accident, la foudre, une catastrophe naturelle (ou autres événements échappant au contrôle d'Ardisam), du vandalisme, des pièces non homologuées, l'utilisation d'une source d'alimentation incorrecte ou des réparations effectuées par un service de réparation non agréé. Ces garanties ne couvrent pas les dommages liés à l'usure normale, aux pièces et services d'entretien normaux; ni une installation, une exploitation, un entreposage ou un entretien incorrects; ni une exploitation du matériel au-delà des maxima recommandés tels qu'ils figurent dans le présent manuel. Ces garanties remplacent toutes les autres garanties expresses ou implicites et toutes les autres obligations ou responsabilités de la part d'Ardisam. Ardisam n'assume aucune responsabilité, et n'autorise personne à assumer au nom d'Ardisam une quelconque responsabilité, en rapport avec la vente des produits Ardisam. **Pour être effectués « sans frais », les travaux sous garantie doivent être confiés directement à Ardisam ou à un centre de service de garantie Ardisam.** Pour recourir aux services de réparation ou de remplacement sous garantie, s'adresser au service après-vente d'Ardisam au 800-345-6007. Avant d'envoyer le produit à Ardisam pour une réparation sous garantie, l'accord préalable d'Ardisam doit être obtenu en appelant notre service après-vente pour recevoir un numéro d'autorisation de renvoi de matériel (RMA#). Sous ces circonstances, tous les articles doivent être envoyés en port payé. Ardisam, à son entière discrétion, réparera ou remplacera sans frais toute pièce défectueuse qui remplit les conditions énoncées ci-dessus. Ardisam se réserve le droit de modifier les modèles, les spécifications et les prix sans préavis. Ardisam n'est sous aucune obligation d'expédier un produit réparé ou échangé à une quelconque adresse en dehors des États-Unis d'Amérique et du Canada. Certains pays et provinces n'autorisent pas la limitation de la durée d'une garantie implicite, ni l'exclusion ou la limitation des dommages indirects ou accessoires, par conséquent les limites ci-dessus peuvent ne pas s'appliquer à vous. La présente garantie vous accorde des droits juridiques particuliers et vous pouvez jouir d'autres droits susceptibles de varier d'une province ou d'un pays à l'autre.

INTRODUCCIÓN

Gracias por adquirir una desplumadora de *Yardbird*. Hemos trabajado para garantizar que esta desplumadora cumpla con las normas más exigentes de uso y durabilidad. Con el cuidado adecuado, su desplumadora le proporcionará muchos años de servicio.

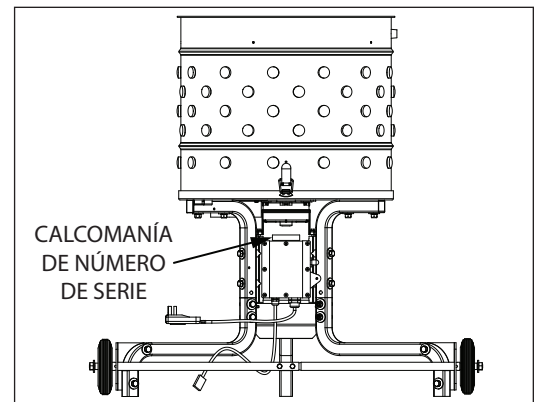
Lea el manual completo antes de la instalación y uso. Yardbird se reserva el derecho de cambiar, alterar o mejorar el producto y este documento en cualquier momento y sin previo aviso.

CONTENIDO

Introducción/registro y servicio.....	30
Características.....	31
Especificaciones.....	32
Diagrama de cableado.....	32
Advertencias y precauciones de seguridad.....	33
Calcomanías de seguridad.....	34
Seguridad operativa general.....	35-36
Montaje.....	36-37
Funcionamiento.....	38
Sugerencias y recomendaciones.....	38-39
Mantenimiento.....	39
Tabla de resolución de problemas.....	39
Lista detallada e ilustrada de las piezas.....	40-42
Garantía.....	43

Registro y servicio

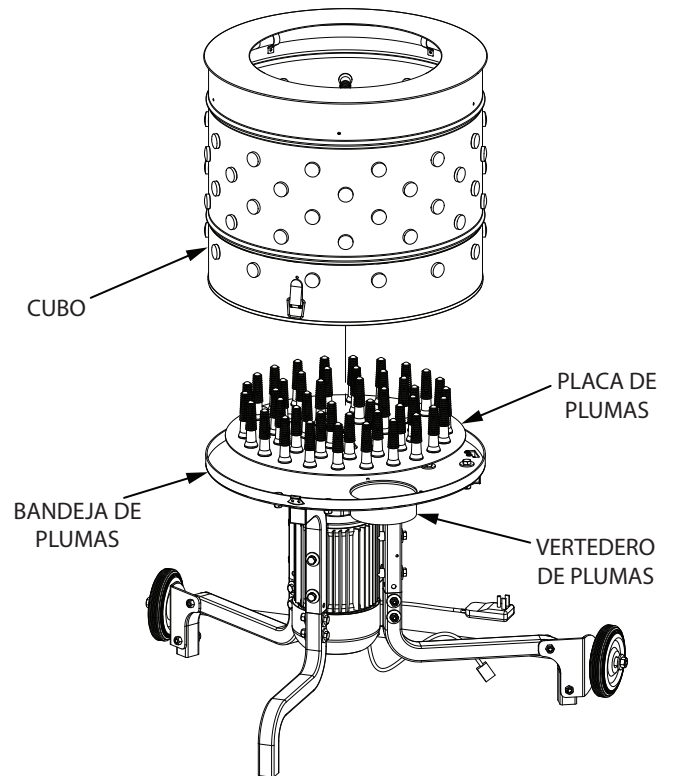
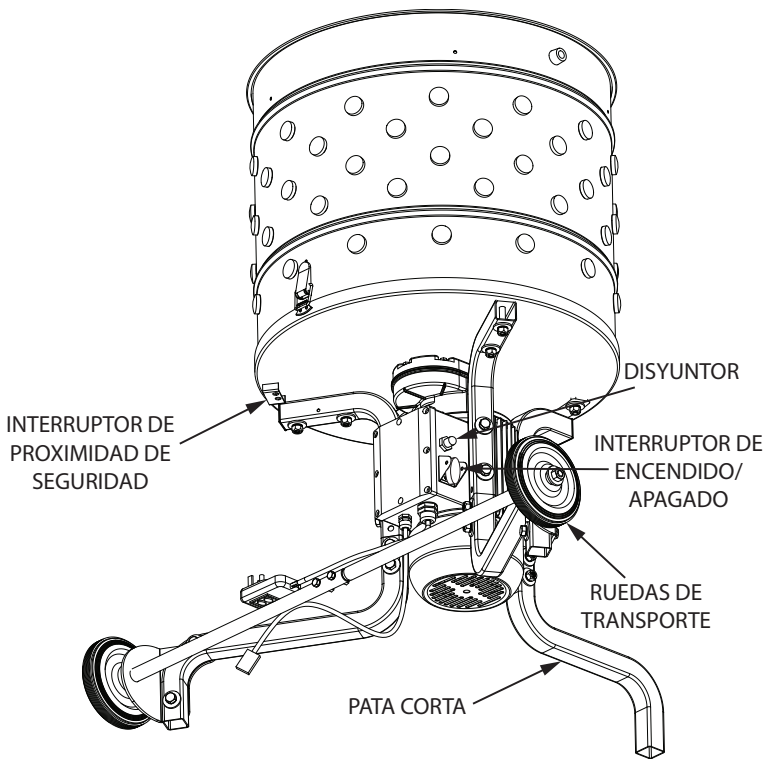
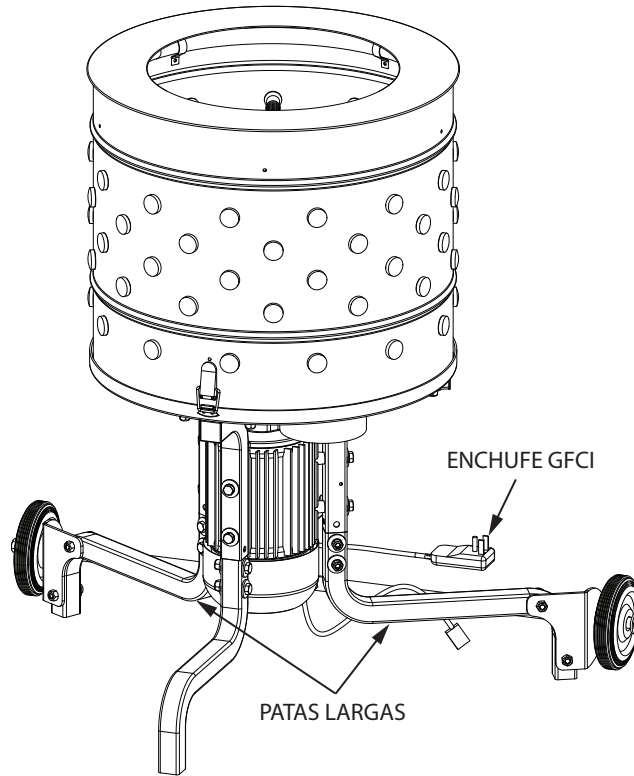
Registre el número de modelo y el número de serie del producto en el espacio que se proporciona para facilitar su consulta cuando solicite piezas o asistencia técnica. La garantía solo es válida si se registra el producto con Yardbird dentro de los 30 días posteriores a la compra. **(CONSULTE LA SECCIÓN ACERCA DE LA GARANTÍA PARA OBTENER MÁS INFORMACIÓN)**. Puede registrar su garantía en línea en www.yardbirdpluckers.com o puede enviarla por correo a: Yardbird, 1160 8th Avenue, Cumberland, WI 54829. También puede comunicarse con el departamento de servicio al cliente al (800) 345-6007 de lunes a viernes de 8 a. m. a 5 p. m. CST.



REGISTROS DE PROPIEDAD		
Nombre del propietario:		
Dirección del propietario:		
Ciudad:	Estado o provincia:	Código postal:
Número de modelo:	Número de serie:	
Fecha de adquisición:		
Notas:		

Lea y conserve este manual para futuras consultas. Este manual contiene información importante sobre SEGURIDAD, MONTAJE, FUNCIONAMIENTO Y MANTENIMIENTO. El propietario debe asegurarse de que toda la información del producto venga incluida con la unidad. Esta información incluye el MANUAL, las PIEZAS DE REPUESTO y las GARANTÍAS. Esta información debe estar incluida para asegurarse de que se cumplan las leyes estatales y otras leyes. Todas las personas que arrienden o pidan la unidad en préstamo deben tener acceso a esta información y comprenderla. Este manual debe permanecer con el producto, incluso si se revende.

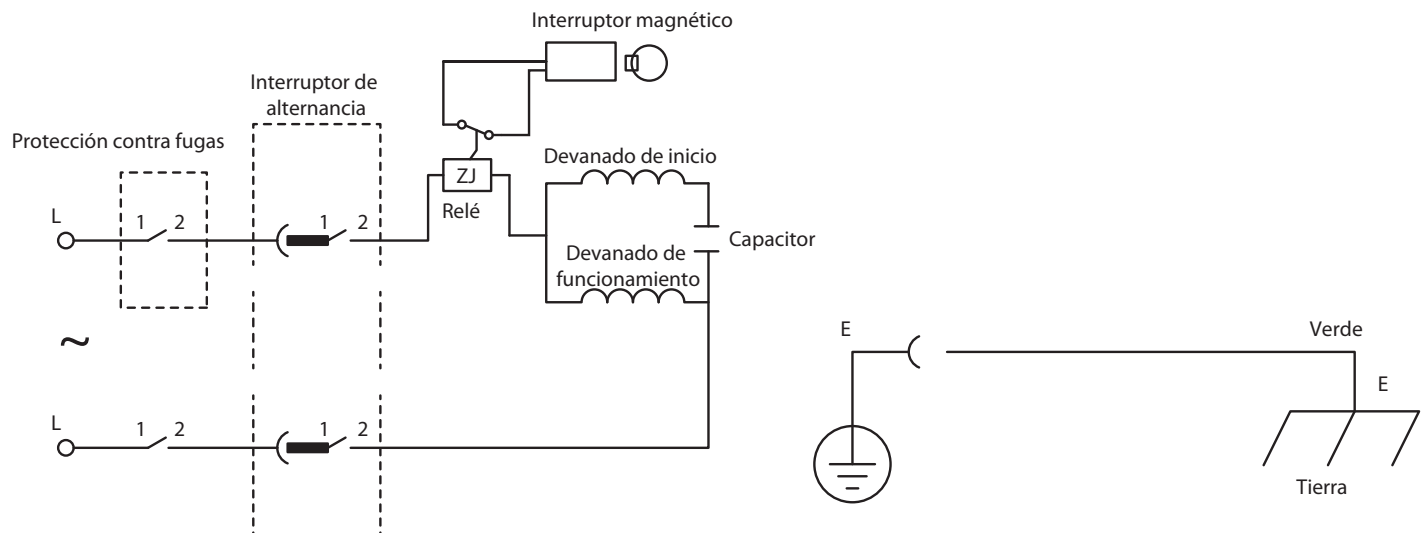
CARACTERÍSTICAS



ESPECIFICACIONES

TIPO DE ENERGÍA	120 V MONOFÁSICA
RUEDAS INCLUIDAS	SÍ, 2
CABALLOS DE FUERZA	1.5
VELOCIDAD DE ROTACIÓN (RPM)	300
DEDOS	110
ALTURA DEL EMBALAJE: DE ARRIBA HACIA ABAJO [CM (PULG.)]	52.6 (20.7)
ANCHO DEL EMBALAJE: DE LADO A LADO [CM (PULG.)]	54.9 (21.6)
PROFUNDIDAD DEL EMBALAJE: DE LA PARTE DELANTERA A LA PARTE POSTERIOR [CM (PULG.)]	54.9 (21.6)
ALTURA ENSAMBLADO: DE ARRIBA HACIA ABAJO [CM (PULG.)]	91.4 (36)
ANCHO ENSAMBLADO: DE LADO A LADO [CM (PULG.)]	77.7 (30.6)
PROFUNDIDAD ENSAMBLADO: DE LA PARTE DELANTERA A LA PARTE POSTERIOR [CM (PULG.)]	67.8 (26.7)
TENSIÓN (VOLTIOS)	120
VATIOS	1100
CALIFICACIÓN MÍNIMA DEL CIRCUITO (AMPERES)	15
PESO BRUTO (KG [LB])	39.9 (88)
PESO NETO (KG [LB])	37.6 (83)
CUBO EXTRAÍBLE	SÍ
TIPO DE ACCIONAMIENTO	ENGRANAJE
DETALLES DEL ACCIONAMIENTO	ENGRANAJES DE ACERO DE ALEACIÓN CON CORTE HELICOIDAL
ANILLO DE IRRIGACIÓN	SÍ

TERMINACIÓN	ACERO INOXIDABLE Y RECUBRIMIENTO DE POLVO
TERMINACIÓN DE LA TORNILLERÍA	ZINC CLARO
MATERIAL PRINCIPAL	ACERO INOXIDABLE
PIEZAS INCLUIDAS	(1) CUBO, (1) PLACA DE PLUMAS, (1) TARJETA DE GARANTÍA, (1) TORNILLERÍA DEL CONJUNTO, (1) ENSAMBLE DEL ACCIONAMIENTO, (3) PATAS, (2) RUEDAS, (1) MANUAL DEL PROPIETARIO, (2) EJES
RESISTENTE AL CLIMA	SÍ
RESISTENTE A LA CORROSIÓN	SÍ
RESISTENTE A UV	SÍ
ANTIMICROBIANO	SÍ
SERVICIO PESADO	SÍ
CABLE INCLUIDO	SÍ
INTERRUPTOR DE SEGURIDAD DE PROXIMIDAD DEL CUBO	SÍ
USO AL AIRE LIBRE	SÍ
USO COMERCIAL	NO
LONGITUD DEL CABLE (M [PULG.])	1,8 (72)
GFCI	SÍ
ENSAMBLE REQUERIDO	SÍ
HERRAMIENTAS NECESARIAS PARA EL ENSAMBLE	LLAVES
GARANTÍA DEL PRODUCTO	UN AÑO
CERTIFICACIÓN DE CSA	SÍ

DIAGRAMA DE CABLEADO


ADVERTENCIAS Y PRECAUCIONES DE SEGURIDAD

Responsabilidad del propietario

Es responsabilidad del propietario realizar un ensamble preciso y darle un uso eficaz y seguro a la desplumadora.

- Lea y siga todas las instrucciones de seguridad.
- Siga cuidadosamente todas las instrucciones de montaje.
- Mantenga la desplumadora de acuerdo con las indicaciones y el programa que se incluye en este manual del operador de *Yardbird*.
- Asegúrese de que las personas que usen la desplumadora conozcan todos los controles y las precauciones de seguridad.

Mensajes especiales

Su manual contiene mensajes especiales para llamar la atención respecto de posibles problemas de seguridad o daños a la máquina, al igual que información útil de operación y mantenimiento. Lea cuidadosamente toda la información para evitar lesiones y daños a la máquina.

NOTA: *En el manual se proporciona información general que puede ser útil para el operador en la operación o en el servicio de la máquina.*

Precauciones importantes de seguridad

Lea esta sección con detenimiento. Opere la desplumadora de acuerdo con las instrucciones de seguridad y las recomendaciones que se describen aquí y que se encuentran insertas en el texto. Toda persona que use la desplumadora debe leer las instrucciones y estar familiarizada con los controles. Aprenda a controlar la desplumadora de pollos en todo momento.



Este símbolo indica instrucciones importantes de seguridad que si no se siguen, podrían poner en peligro su seguridad personal. Lea y siga todas las instrucciones de este manual antes de intentar usar este equipo.

- No permita que los niños usen esta desplumadora de pollos. Mantenga alejados a los niños pequeños del área donde se está usando la desplumadora de pollos. No permita que adultos operen la desplumadora de pollos sin la instrucción adecuada.



Uso previsto o uso incorrecto previsible

Esta es una desplumadora diseñada para quitar las plumas de las aves de corral. No se debe usar para ningún otro propósito.

PELIGRO

PELIGRO INDICA QUE SI NO SE SIGUEN LAS INSTRUCCIONES DE SEGURIDAD QUE SE MUESTRAN A CONTINUACIÓN DE ESTA PALABRA DE SEÑALIZACIÓN PUEDEN PRODUCIRSE LESIONES GRAVES O LA MUERTE.

ADVERTENCIA

ADVERTENCIA INDICA UN PELIGRO QUE, SI NO SE EVITA, PUEDE PROVOCAR LA MUERTE, LESIONES GRAVES Y DAÑOS A LA PROPIEDAD.

PRECAUCIÓN

PRECAUCIÓN INDICA QUE SI NO SE SIGUEN LAS INSTRUCCIONES DE SEGURIDAD A CONTINUACIÓN DE ESTA PALABRA DE SEÑALIZACIÓN, USTED O EL EQUIPO PUEDEN RESULTAR DAÑADOS.

IMPORTANTE

IMPORTANTE INDICA INFORMACIÓN ÚTIL PARA UN ENSAMBLE, OPERACIÓN O MANTENIMIENTO ADECUADOS DE SU EQUIPO.

ADVERTENCIA

DEBE LEER, COMPRENDER Y CUMPLIR TODAS LAS INSTRUCCIONES DE SEGURIDAD Y OPERACIÓN DE ESTE MANUAL ANTES DE INTENTAR INSTALAR Y OPERAR SU DESPLUMADORA.

SI NO CUMPLE CON TODAS LAS INSTRUCCIONES DE SEGURIDAD Y OPERACIÓN PUEDE PROVOCARSE LA PÉRDIDA DE CONTROL DEL MECANISMO, LESIONES PERSONALES GRAVES A USTED O A QUIENES SE ENCUENTREN CERCA Y EL RIESGO DE PROVOCAR DAÑOS AL EQUIPO O A LA PROPIEDAD. EL TRIÁNGULO EN EL TEXTO SIGNIFICA QUE SE DEBEN SEGUIR PRECAUCIONES O ADVERTENCIAS IMPORTANTES.

ADVERTENCIA

PROPUESTA DE ADVERTENCIA 65 DE CALIFORNIA

ESTE PRODUCTO CONTIENE QUÍMICOS QUE, SEGÚN EL ESTADO DE CALIFORNIA, PUEDEN PROVOCAR CÁNCER, DEFECTOS DE NACIMIENTO U OTROS DAÑOS REPRODUCTIVOS.

CALCOMANÍAS DE SEGURIDAD

Esta unidad está diseñada y fabricada para proporcionar seguridad y fiabilidad que esperaría de una empresa líder en la fabricación de equipos eléctricos para exteriores.

Aunque la lectura de este manual y de las instrucciones de seguridad que contiene le proporcionará el conocimiento básico necesario para manejar el equipo de manera segura y eficaz, colocamos etiquetas de seguridad en la unidad para recordarle esta información importante mientras opera la unidad.

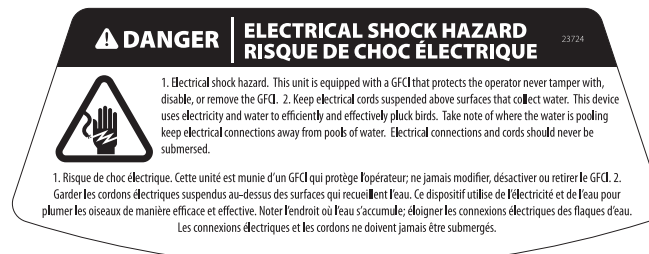
Deben leerse con detenimiento y obedecerse todos los mensajes de **PELIGRO, ADVERTENCIA, PRECAUCIÓN** y con instrucciones de su unidad. Cuando no se siguen estas instrucciones, pueden producirse lesiones corporales personales. La información es para su seguridad y es importante. Las calcomanías de seguridad que aparecen debajo están en su unidad.

Si se extravía o daña alguna de estas calcomanías, vuelva a colocarla de inmediato. Consulte con su distribuidor local o comuníquese directamente con Yardbird para obtener las calcomanías de reemplazo.

Estas etiquetas se aplican fácilmente y actuarán como un recordatorio visual constante para usted y para otras personas que usen el equipo, a fin de que sigan las instrucciones de seguridad necesarias para una operación segura y eficaz.



N.º de pieza 23723
MOTOR DE ALTO PAR DE TORSIÓN
Calcomanía del cubo



N.º de pieza 23724
PELIGRO DE ELECTROCUCIÓN
Calcomanía del cubo



N.º de pieza 23725
MANTENGA LAS MANOS ALEJADAS
Calcomanía del cubo

SEGURIDAD OPERATIVA GENERAL

- Lea, comprenda y siga todas las instrucciones que aparecen en el manual y en la unidad antes de comenzar.
- Use las prendas de vestir adecuadas al operar la máquina. Use siempre calzado sólido y gafas de seguridad. Nunca use sandalias, zapatillas ni zapatos abiertos y nunca opere la máquina con los pies descalzos. No use prendas sueltas que podrían quedar atrapadas en las piezas móviles.
- Solo permita que personas adultas responsables, que estén familiarizadas con las instrucciones, operen la unidad.
- No permita que niños operen esta máquina. Los adultos no deben operar la máquina sin la instrucción adecuada.
- Manténgase de pie de manera segura y mantenga un equilibrio sólido al iniciar u operar la desplumadora de pollos.
- Solo opere la máquina con luz de día o con una buena iluminación artificial.
- No opere la unidad bajo la influencia del alcohol o de drogas.
- Use protección ocular siempre que opere esta unidad.
- Recuerde que el operador es responsable por los accidentes que les ocurran a otras personas o a la propiedad.
- Nunca opere la máquina sin las protecciones o las placas adecuadas ni sin otros dispositivos protectores de seguridad en su sitio.

SEGURIDAD ESPECÍFICA DEL PRODUCTO

- No coloque las manos ni los pies cerca de piezas giratorias ni debajo de la máquina. Manténgase alejado de las aperturas de descarga en todo momento.
- Mantenga apretados todos los tornillos, las tuercas y los pernos.
- Nunca deje la máquina en funcionamiento sin prestarle atención. Siempre mueva la unidad a un área de almacenamiento segura cuando no la use.
- Desenchufe la unidad antes de llevar a cabo tareas de mantenimiento, reparaciones o ajustes con la unidad en funcionamiento.
- Nunca coloque aves vivas en la desplumadora. Todas las aves deben sacrificarse y escaldarse correctamente antes de procesarse en la desplumadora.
- Apague la máquina y espere que la desplumadora se detenga completamente antes de retirar las aves o las plumas de la máquina. No coloque los brazos, las manos ni ninguna otra parte del cuerpo dentro de la máquina mientras está procesando o girando.
- Mantenga las manos fuera del vertedero de plumas. No intente limpiar plumas ni otros residuos del vertedero de plumas con la unidad enchufada. Desenchufe la unidad antes de limpiar o retirar materia extraña, como cabezas de aves, de la desplumadora.
- Nunca modifique, inhabilite ni extraiga el GFCI (interruptor del circuito por falla a tierra).

PELIGRO

PELIGRO DE ELECTROCUCIÓN. ESTA UNIDAD ESTÁ EQUIPADA CON UN GFCI (INTERRUPTOR DEL CIRCUITO POR FALLA A TIERRA) QUE PROTEGE AL OPERADOR. NUNCA MODIFIQUE, INHABILITE NI EXTRAIGA EL GFCI.

PELIGRO

ESTE PRODUCTO TIENE UN MOTOR DE ALTO PAR DE TORSIÓN. PARA EVITAR LESIONES PERSONALES GRAVES, NO USE PRENDAS SUELTAS. EL CABELLO DEBE ESTAR PEINADO HACIA ATRÁS.

PELIGRO

NUNCA OPERE LA MÁQUINA SIN EL CUBO DE LA DESPLUMADORA EN SU LUGAR, YA QUE PUEDEN QUEDAR AGARRADAS PARTES DEL CUERPO ENTRE LA PLACA DE PLUMAS Y LA BANDEJA DE PLUMAS. UN INTERRUPTOR DE PROXIMIDAD DE SEGURIDAD NO PERMITE LA OPERACIÓN SIN EL CUBO. NO INHABILITE ESTE INTERRUPTOR.

SI EL INTERRUPTOR NO DETIENE EL FUNCIONAMIENTO DE LA UNIDAD CUANDO SE QUITA EL CUBO DE LA BANDEJA DE PLUMAS, REEMPLÁCELO.

ADVERTENCIA

MANTENGA LAS MANOS ALEJADAS DE LAS PIEZAS EN MOVIMIENTO. NUNCA COLOQUE LAS MANOS NI NINGUNA OTRA PARTE DEL CUERPO POR DEBAJO DE LA PARTE SUPERIOR DEL PLANO DEL CUBO DE LA DESPLUMADORA CUANDO LA DESPLUMADORA ESTÁ EN FUNCIONAMIENTO.

PELIGRO

MANTENGA LAS MANOS FUERA DEL VERTEDERO DE PLUMAS. NO INTENTE LIMPIAR PLUMAS NI OTROS RESIDUOS DEL VERTEDERO DE PLUMAS CON LA UNIDAD ENCHUFADA. DESENCHUFE LA UNIDAD ANTES DE LIMPIAR O RETIRAR MATERIA EXTRAÑA, COMO CABEZAS DE AVES, DE LA DESPLUMADORA.

PELIGRO

MANTENGA LOS CABLES ELÉCTRICOS SUSPENDIDOS ARRIBA DE LAS SUPERFICIES QUE RECOLECTAN AGUA. ESTE DISPOSITIVO USA ELECTRICIDAD Y AGUA PARA DESPLUMAR AVES CON EFICIENCIA Y EFICACIA. OBSERVE DÓNDE SE ACUMULA EL AGUA Y MANTENGA LAS CONEXIONES ELÉCTRICAS ALEJADAS DE LAS ACUMULACIONES DE AGUA. LAS CONEXIONES Y LOS CABLES ELÉCTRICOS NO DEBEN SUMERGIRSE NUNCA.

- Mantenga todos los cables y las conexiones eléctricos alejados de las acumulaciones de agua. Nunca deben sumergirse en agua los cables ni las conexiones eléctricos.

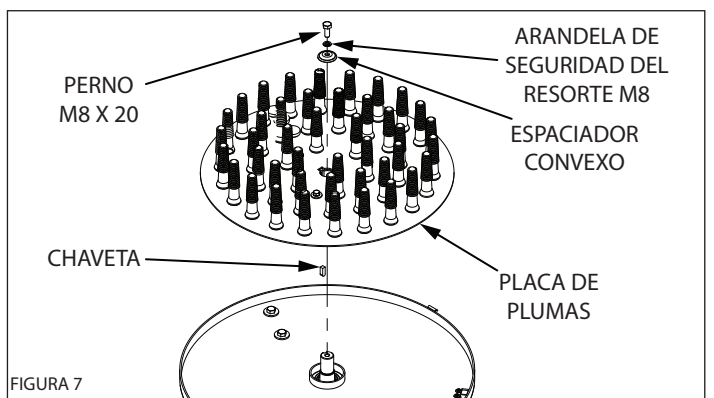
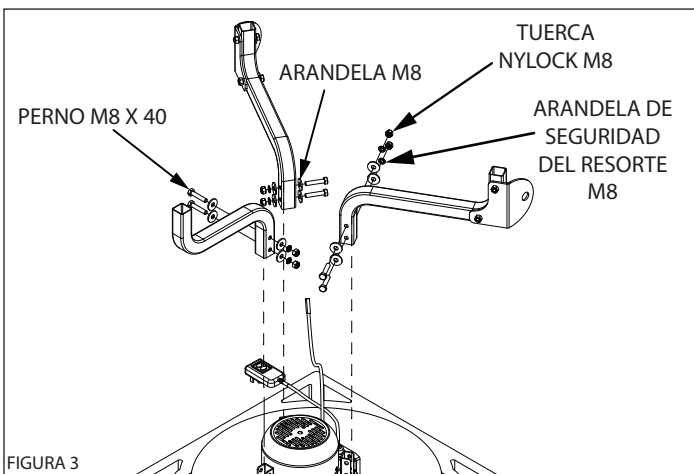
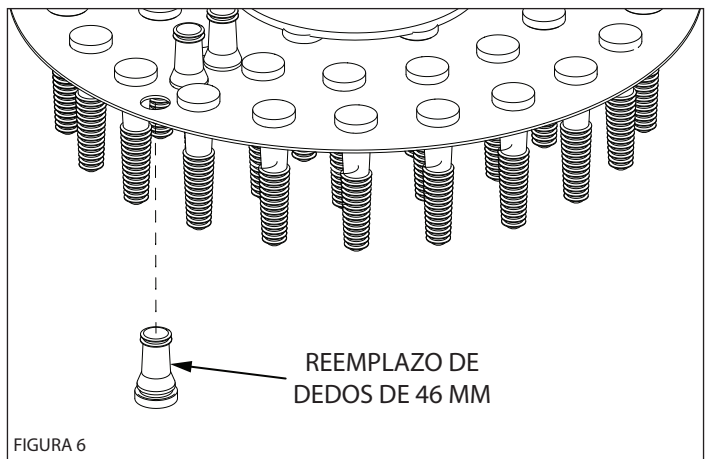
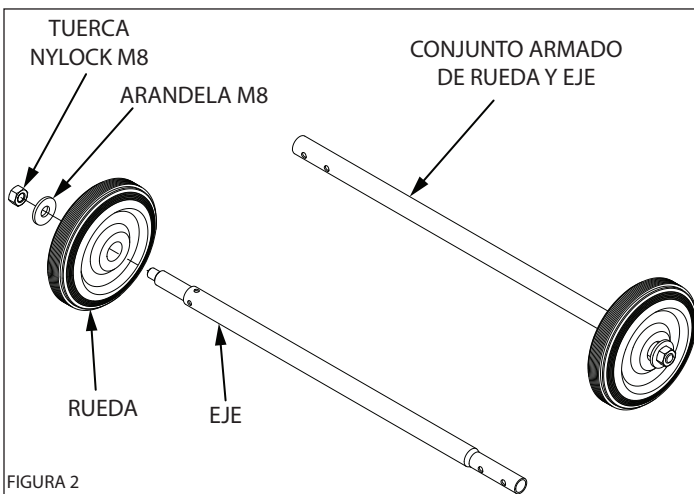
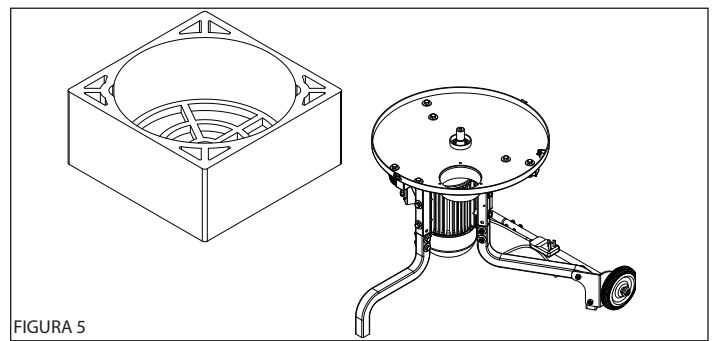
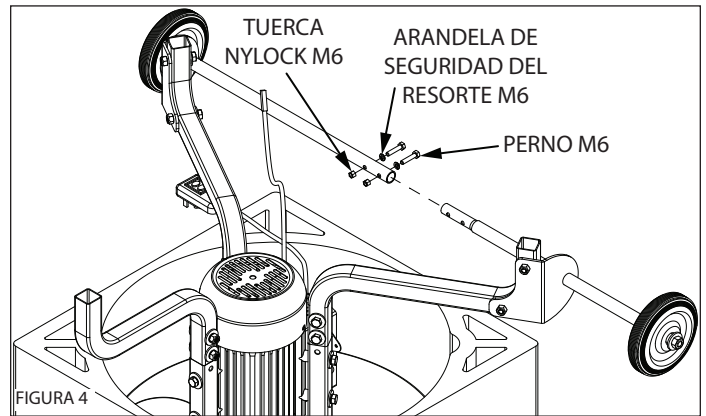
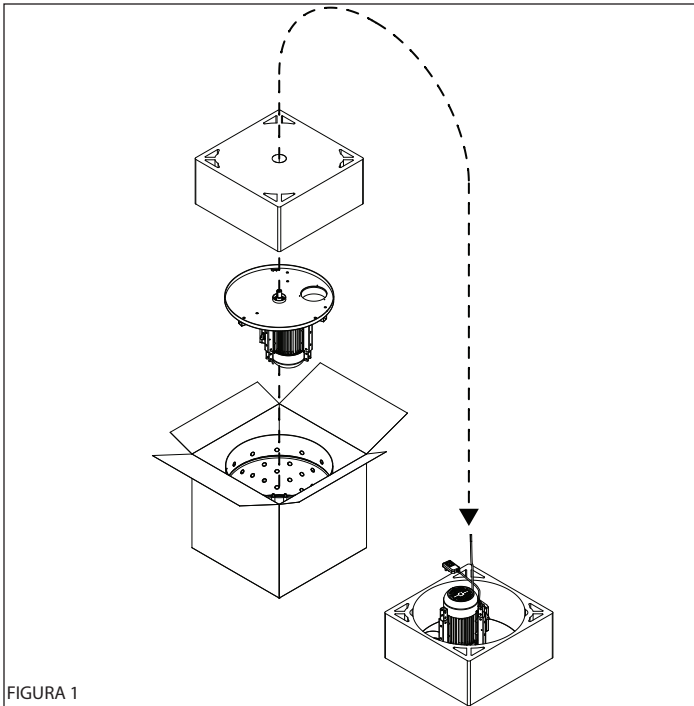
DESEMPAQUE Y MONTAJE

Herramientas necesarias para el montaje:

- Llave de 10 mm (2)
- Llave de 13 mm (2)
- Llave de 16 mm (2)

MONTAJE

1. Abra la parte superior del embalaje y extraiga el paquete interno de gomaespuma con el orificio en el medio. **(CONSULTE LA FIGURA 1)**
2. Coloque la gomaespuma en una superficie horizontal en el área de montaje. Extraiga el conjunto de engranaje-motor y bandeja de plumas y colóquelo con el eje hacia abajo (motor hacia arriba) a través del orificio de la gomaespuma.
3. Extraiga el resto del contenido del paquete y verifique que haya recibido:
 - a. Contenido del embalaje:
 - Eje (2)
 - Placa de plumas
 - Cubo de plumas
 - Patas largas (2)
 - Pata corta
 - Rueda (2)
 - b. Una bolsa de piezas que contenga:
 - Perno M8 x 1.25 x 40 (6)
 - Perno M8 x 1.25 x 20 (1)
 - Perno M6 x 1.0 x 28 (2)
 - Arandela M8 x 24 x 2.2 plana (12)
 - Arandela M8 de seguridad del resorte (7)
 - Arandela M8 x 30 convexa (1)
 - Arandela M6 de seguridad del resorte (2)
 - Arandela M10 plana (2)
 - Tuerca M6 x 1.0 Nylock (2)
 - Tuerca M10 Nylock (2)
 - Mosquetón (4)
 - Reemplazo de dedos de 46 mm (1)
4. Monte la rueda en el eje **(CONSULTE LA FIGURA 2)**. Para cada componente del eje:
 - a. Instale la rueda en el extremo roscado del componente del eje.
 - b. Instale una arandela M10 contra la parte externa de la rueda y, a continuación, una tuerca M10 contra la arandela. Use una llave de 16 mm para apretar la tuerca de la rueda hasta que llegue a la arandela y hasta que la característica de bloqueo de nylon de la tuerca esté en correspondencia plena con la rosca del eje.
5. Monte las patas en el conjunto de engranaje-motor y bandeja de plumas. **(CONSULTE LA FIGURA 3)**
 - a. Monte dos patas largas a cada uno de los lados de la caja de conexiones del motor y alinee los orificios. Inserte la pata corta en el lugar restante.
NOTA: Cada pata es única y no es intercambiable. Las patas largas con los soportes del eje adjuntos deben montarse de modo que los soportes del eje estén paralelos entre sí. (CONSULTE LA FIGURA 3)
 - b. Para cada pata, instale dos pernos M8x40 y dos arandelas planas M8 a través de un lado de la pata e inserte dos arandelas planas M8, dos arandelas de seguridad del resorte M8 y dos arandelas M8 nylock en el lado opuesto. Apriete con una llave de 13 mm.
6. Monte el eje en las patas. **(CONSULTE LAS FIGURAS 4 Y 5)**
 - a. Deslice los componentes del eje a través de cada soporte del eje y alinee los orificios. Monte los componentes del eje con dos pernos M6, dos arandelas de seguridad del resorte M6 y dos tuercas M6 nylock.
 - b. Dé vuelta el engranaje-motor y la bandeja de plumas para que se soporten con las patas.
7. Quite la placa de plumas del cubo.
NOTA: Es más fácil quitar la placa de plumas si la placa se gira de lado y se eleva en ángulo.
8. Inserte el dedo plucker 46 mm en la abertura en la parte inferior de placa de la pluma. **(CONSULTE LA FIGURA 6)**
NOTA: Dedo debe estar instalado en la misma dirección que los otros dos dedos 46 mm para su correcto funcionamiento.
9. Inserte la chaveta en el eje de salida. **(CONSULTE LA FIGURA 7)**
10. Aplique grasa al eje del motor.
11. Alinee la ranura de la chaveta de la placa de plumas con la chaveta del eje y empuje hacia abajo para que quede en su lugar.
NOTA: La ranura de la placa de plumas no siempre se alinea con la ranura de la chaveta del cubo de la placa de plumas.
12. Monte la tuerca de 8 mm, la arandela de seguridad M8 y el espaciador convexo de 8 mm sobre el eje. Apriete con una llave de 13 mm. **(CONSULTE LA FIGURA 7)**
NOTA: Bolt ha dejado rosca a.
13. a. Coloque el cubo en la bandeja de plumas.
NOTA: El interruptor de lectura magnética de la bandeja de plumas DEBE alinearse con el imán del cubo. Alinee la etiqueta de la flecha del cubo con la flecha en la bandeja de plumas. (CONSULTE LA FIGURA 8)
 - b. Bloquee las trabas en su lugar. Se incluyen mosquetones para bloquear de manera segura.
 - c. Coloque un balde (no se incluye) debajo del vertedero de plumas.
 - d. Adjunte una manguera de jardín (no se incluye).
NOTA: Se recomienda adjuntar una válvula al cubo y, a continuación, adjuntar una manguera de jardín. Esto permite que el operador cierre el agua localmente y no en el grifo. Si se usa una válvula en Y, se puede usar una segunda manguera para enjuagado y llenado de escaldador.



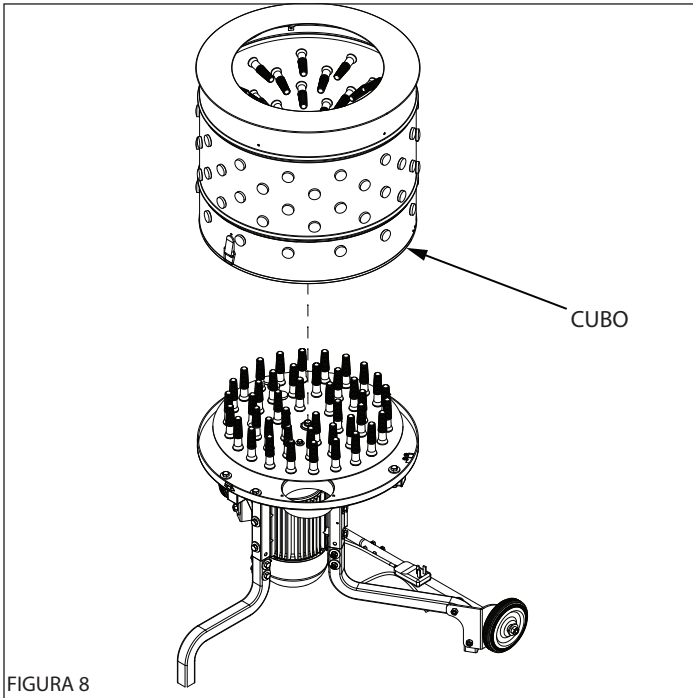


FIGURA 8

FUNCIONAMIENTO

Inspección anterior al inicio

1. Asegúrese de que todas las características de seguridad funcionen, incluidos el GFCI y el interruptor de proximidad.
2. Verifique que todas las tuercas y todos los pernos estén fijos.
NOTA: Debe verificarse toda la tornillería (tuercas, pernos, etc.) para determinar que esté correctamente apretada antes de cada uso. La vibración de la máquina puede hacer que se afloje.
3. Mantenga las conexiones eléctricas fuera de las áreas donde puede acumularse agua.

Inicio

1. Cada vez que se enchufa la desplumadora de pollos, debe presionar el botón de restablecimiento del GFCI. La máquina no se iniciará sin este paso.
NOTA: Nunca inhabilite el GFCI. El operador con frecuencia se para sobre una acumulación de agua al operar este dispositivo eléctrico. El GFCI asegura que toda la energía sea utilizada por el motor y que nada de la energía se convierta en peligro de electrocución.
2. Coloque el interruptor de alternancia en posición de **ENCENDIDO** antes de colocar las aves en la desplumadora. Iniciar la desplumadora con aves en contacto con la placa de plumas agrega al uso de corriente de la máquina y reduce la vida útil de los componentes eléctricos.
3. Encienda el anillo de irrigación.
4. Coloque una o dos aves escaldadas correctamente en la desplumadora y permita que la máquina las procese hasta que se quiten las plumas. Un ave escaldada correctamente se desplumará en aproximadamente 15 segundos.

Apagar

1. Para apagar la desplumadora de pollos, coloque el interruptor de alternancia en la posición **APAGADO**.
NOTA: NO retire el ave hasta que la unidad se haya detenido completamente.
2. Desenchufe el GFCI cuando haya terminado de usar la máquina.

⚠ PELIGRO

NUNCA OPERE LA MÁQUINA SIN EL CUBO DE LA DESPLUMADORA EN SU LUGAR, YA QUE PUEDEN QUEDAR AGARRADAS PARTES DEL CUERPO ENTRE LA PLACA DE PLUMAS Y LA BANDEJA DE PLUMAS. UN INTERRUPTOR DE PROXIMIDAD DE SEGURIDAD NO PERMITE LA OPERACIÓN SIN EL CUBO. NO INHABILITE ESTE INTERRUPTOR.

SI EL INTERRUPTOR NO DETIENE EL FUNCIONAMIENTO DE LA UNIDAD CUANDO SE QUITA EL CUBO DE LA BANDEJA DE PLUMAS, REEMPLÁCELO.

⚠ PELIGRO

MANTENGA LOS CABLES ELÉCTRICOS SUSPENDIDOS ARRIBA DE LAS SUPERFICIES QUE RECOLECTAN AGUA. ESTE DISPOSITIVO USA ELECTRICIDAD Y AGUA PARA DESPLUMAR AVES CON EFICIENCIA Y EFICACIA. OBSERVE DÓNDE SE ACUMULA EL AGUA Y MANTENGA LAS CONEXIONES ELÉCTRICAS ALEJADAS DE LAS ACUMULACIONES DE AGUA. LAS CONEXIONES Y LOS CABLES ELÉCTRICOS NO DEBEN SUMERGIRSE NUNCA.

⚠ ADVERTENCIA

MANTENGA LAS MANOS ALEJADAS DE LAS PIEZAS EN MOVIMIENTO. NUNCA COLOQUE LAS MANOS NI NINGUNA OTRA PARTE DEL CUERPO POR DEBAJO DE LA PARTE SUPERIOR DEL PLANO DEL CUBO DE LA DESPLUMADORA CUANDO LA DESPLUMADORA ESTÁ EN FUNCIONAMIENTO.

⚠ PELIGRO

PELIGRO DE ELECTROCUCIÓN. ESTA UNIDAD ESTÁ EQUIPADA CON UN GFCI (INTERRUPTOR DEL CIRCUITO POR FALLA A TIERRA) QUE PROTEGE AL OPERADOR. NUNCA MODIFIQUE, INHABILITE NI EXTRAIGA EL GFCI.

Sugerencias y recomendaciones

1. Yardbird recomienda manipular las aves por las patas y cortar la carótida cuando el ave está contenida en un cono para limitar los hematomas y el trauma. Las aves se desplumarán con mayor facilidad si no están estresadas.
2. El agua para escaldar debe estar a aproximadamente 60-66 grados centígrados (140-150 grados Fahrenheit). El agua para escaldar está muy caliente y puede quemar al operador. Se recomienda el uso de guantes de caucho grueso. Sumergir las aves en el agua y quitarlas, con guantes de caucho grueso, permite que el agua penetre la piel del ave y mantiene frescas

las manos.

3. Mezclar jabón para vajilla con el agua para escaldar permite que el agua caliente penetre en la piel. Las aves tienen aceite en las plumas y al descomponerse el aceite el agua caliente puede acceder a la piel. El agua caliente relaja los músculos que mantienen fijas las plumas.
4. Cambie el agua para escaldar cuando esté sucia o aceitosa.
5. Las aves deben ir directamente de la escaldadora a la desplumadora. Cuanto más tiempo pase entre ambos pasos, más se establecerá el rigor mortis y las alas y las patas descompondrán partes del ave si se ponen demasiado rígidas.
6. Para las aves de corral, use las plumas más grandes para probar el proceso de escaldado. Cuando las plumas más grandes pueden retirarse a mano fácilmente, la desplumadora eliminará fácilmente todas las plumas. Las plumas grandes están en las alas y en la cola.
7. Si la desplumadora está dañando la piel del ave, el ave se escaldó demasiado tiempo o el agua para escaldar estaba demasiado caliente.
8. La desplumadora Yardbird puede procesar hasta dos aves de 3.6 kg (8 lb) al mismo tiempo.
9. En Internet hay muchos recursos para sacrificar, escaldar y eviscerar. Una técnica no se adapta a las necesidades de todos los usuarios y, con el tiempo, ajustará el proceso a sus necesidades.
10. Las aves acuáticas son mucho más difíciles de desplumar que las aves de corral. Sin embargo, se han desplumado correctamente aves acuáticas con la desplumadora Yardbird.

Las aves acuáticas son extremadamente aceitosas y requieren más jabón en el agua de escaldar para descomponer el aceite. A diferencia de las aves de corral, las plumas de prueba de las aves acuáticas deben retirarse de las áreas que sostienen las plumas rápidamente (el pecho y la pelvis).

Al desplumar aves acuáticas, preste atención a la acumulación de aceite en el agua de escaldar. Cambie el agua o agregue jabón para vajilla según corresponda.

SOLUCIÓN DE PROBLEMAS Y REPARACIÓN

Si tiene problemas al operar la desplumadora, siga las sugerencias de la guía de resolución de problemas de esta sección. Esta guía le ayudará a localizar las causas de problemas comunes y a identificar soluciones.

En caso de un problema de servicio, NO envíe la unidad de regreso al comerciante. Comuníquese con Yardbird, al 800-345-6007, de lunes a viernes de 8 a. m. a 5 p. m.

PROBLEMA	SOLUCIÓN O ACCIÓN
La unidad no se inicia	<ul style="list-style-type: none"> • Restablezca el GFCI • Gire el interruptor de alternancia a la posición ENCENDIDO • Asegúrese de que el imán del cubo esté posicionado sobre el interruptor de lectura magnética de la bandeja de plumas. <p>NOTA: El imán debe ajustarse lo suficientemente cerca del interruptor de lectura magnético para funcionar correctamente.</p>

* Comuníquese con el 800-345-6007 para obtener repuestos

MANTENIMIENTO

Limpieza

Limpie la desplumadora de pollos después de cada uso.

Para limpiar la desplumadora de pollos:

1. Haga funcionar la desplumadora durante dos minutos con el anillo de irrigación. Esto eliminará la mayor parte de las plumas de la placa y de la bandeja de plumas fuera de la unidad a través del vertedero de plumas.
2. Desmonte el cubo de la bandeja de plumas. Elimine las plumas y los residuos.

NOTA: Se recomiendan el agua y la lejía como agentes limpiadores.

3. Gire el resto de la unidad en dirección contraria al usuario y pulverice agua debajo de la placa de plumas para eliminar las plumas o los residuos entre la placa de plumas y la bandeja de plumas.
4. Desmonte la placa de plumas, inspeccione el área alrededor del eje y limpie las plumas y los residuos.

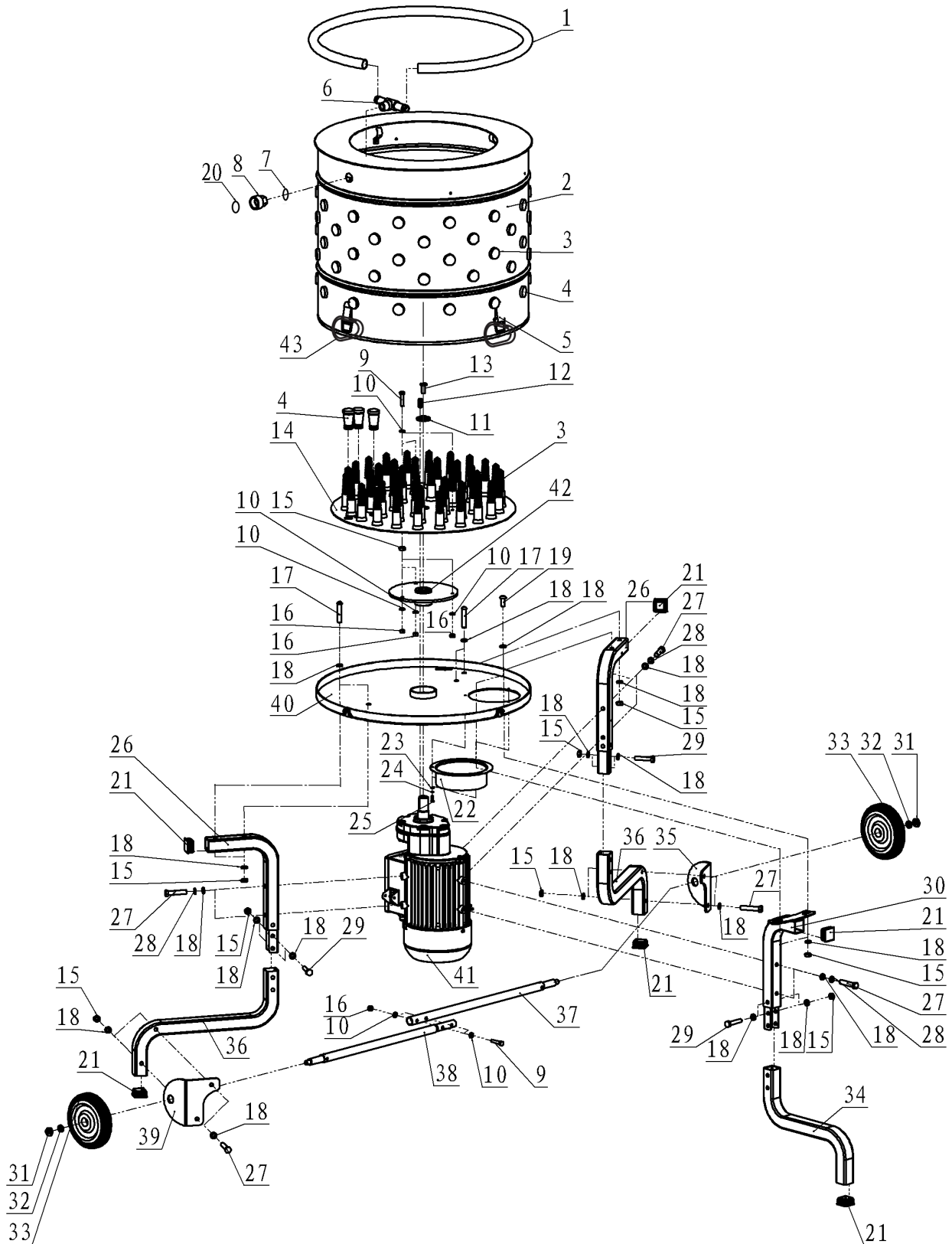
NOTA: Este paso debe llevarse a cabo solo una vez al año.

- La desplumadora Yardbird no tiene correas y el motor y la caja de engranajes son sellados y libres de mantenimiento.
- Cuando se desmonte la placa de plumas (una vez al año), engrase el eje con grasa de grado alimenticio para poder desmontar la placa de plumas fácilmente el año siguiente.
- Inspeccione los dedos de caucho natural de la desplumadora para determinar que no haya grietas ni roturas. Reemplace con dedos para la desplumadora Yardbird.
- Aunque la desplumadora está diseñada para funcionar al aire libre, expuesta al agua y a la luz solar, es mejor mantener la unidad almacenada bajo techo o cubierta. Esto conservará la vida útil de los dedos de caucho y de los componentes del motor.

PELIGRO

MANTENGA LAS MANOS FUERA DEL VERTEDERO DE PLUMAS. NO INTENTE LIMPIAR PLUMAS NI OTROS RESIDUOS DEL VERTEDERO DE PLUMAS CON LA UNIDAD ENCHUFADA. DESENCHUFE LA UNIDAD ANTES DE LIMPIAR O RETIRAR MATERIA EXTRAÑA, COMO CABEZAS DE AVES, DE LA DESPLUMADORA.

LISTA DETALLADA E ILUSTRADA DE LAS PIEZAS: UNIDAD PRINCIPAL



N.º DE ELEMENTO	N.º DE PIEZA	DESCRIPCIÓN	CANT.
1	23632	PULVERIZADOR DE AGUA DEL CUBO DE LA MANGUERA	1
2	24018	TAMBOR DE MONTAJE CON CLIPS DE MANGUERA	1
3	22577	REEMPLAZO DE DEDOS DE 98 MM	95
4	22697	REEMPLAZO DE DEDOS DE 46 MM	13
5	23646	ABRAZADERA DE HEBILLA	4
6	23649	ACCESORIO TE 3/4 NPT X REBABA X REBABA	1
7	23924	JUNTA TÓRICA 24 X 26 X 3.5 MM	1
8	23844	ACCESORIO 3/4 FNPT X OSCILADOR DE MANGUERA DE JARDÍN	1
9	10677	PERNO M6 X 1.0 X 30 HEX	2
10	18130	ARANDELA M6 DE SEGURIDAD DEL RESORTE	10
11	23840	ARANDELA M8 X 30 CONVEXA	1
12	24016	CHAVETA CUADRADA 6 X 6 X 17.4	1
13	24545	PERNO M8 X 1,25 X 20 HEXAGONAL ROSCA DE LA CABEZA DE LA MANO IZQUIERDA	1
14	23639	PLACA DE PLUMAS	1
15	400023	TUERCA M8 NYLOCK	16
16	4650	TUERCA M6 X 1.0 NYLOCK	5
17	24032	PERNO M8 X 1.25 X 45 PHILIPS	4
18	3245	ARANDELA PLANA M8 X 24 X 2.2	32
19	24033	PERNO M8 X 1.25 X 20 PHILIPS	2
20	23925	JUNTA TÓRICA 26 X 21 X 3 MM	1

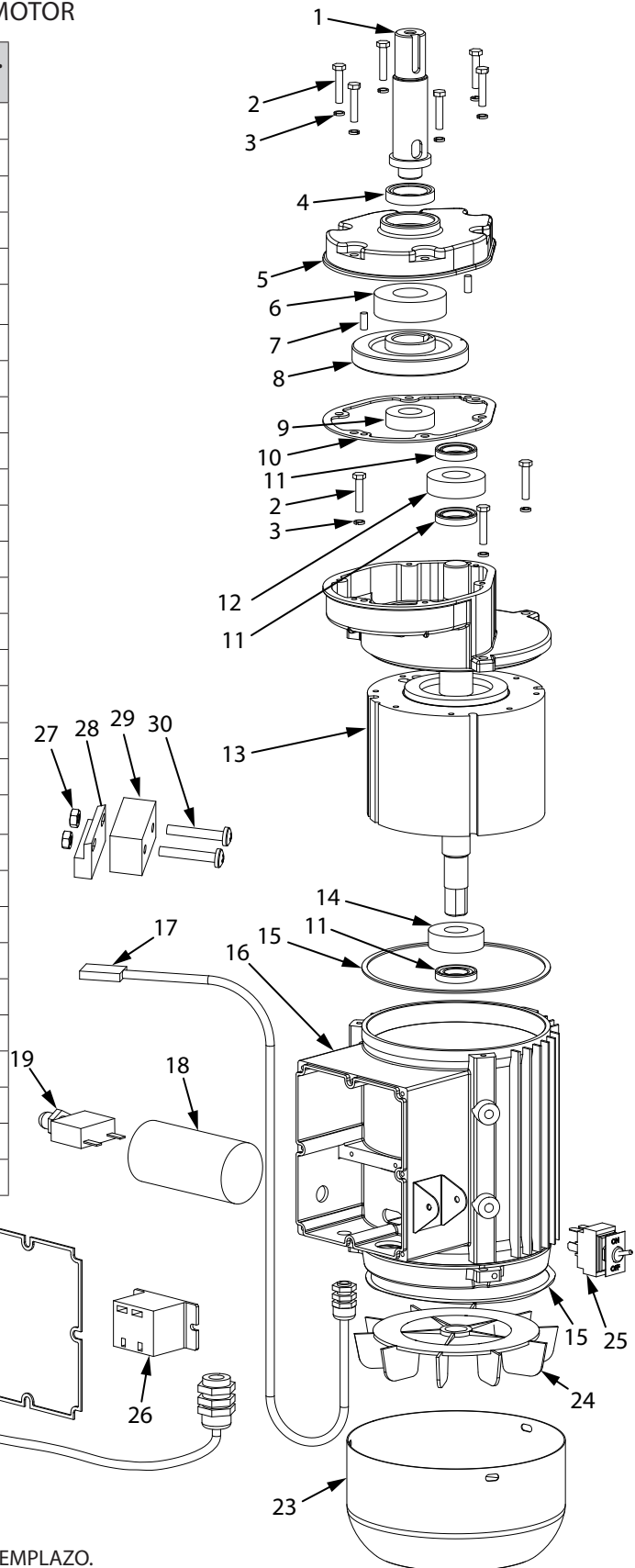
N.º DE ELEMENTO	N.º DE PIEZA	DESCRIPCIÓN	CANT.
21	23636	TUBO CUADRADO DEL TAPÓN 30 MM	6
22	23637	VERTEDERO DE PLUMAS	1
23	4692	ARANDELA M4 PLANA	3
24	22024	ARANDELA M4 DE SEGURIDAD DEL RESORTE	3
25	12419	PERNO M4 X 0.7 X 8 PHILIPS	3
26	23104	PATA DEL EJE SUPERIOR 30 MM	2
27	18098	PERNO M8 X 1.25 X 45 HEX	8
28	21640	ARANDELA M8 DE SEGURIDAD DEL RESORTE	6
29	12770	PERNO M8 X 1.25 X 40 HEX	3
30	23089	PATA DE SOPORTE SUPERIOR 30 MM	1
31*	W1265V0903	TUERCA M10 X 1.5 NYLOCK	2
32*	19905	ARANDELA PLANA M10 X 20 X 2	2
33*	11919	KIT DE RUEDA CON TORNILLERÍA	1
34	23107	PATA DE SOPORTE INFERIOR 30 MM	1
35	23110	EJE DE SOPORTE HEMBRA	1
36	23108	PATA DEL EJE INFERIOR 30 MM	2
37	23795	MONT EJE DESPLUMADORA HEMBRA	1
38	23864	MONT EJE DESPLUMADORA MACHO	1
39	23111	EJE DE SOPORTE MACHO	1
40	23638	BANDEJA DE PLUMAS	1
41**	---	MONTAJE DEL MOTOR	1
42	23112	SOLDADURA CUBO PLACA DE PLUMAS	1
43	24017	MOSQUETÓN DESPLUMADORA	4

* PIEZAS W1265V0903 Y 19905 INCLUIDAS EN EL KIT 11919

**LISTA DE PIEZAS DEL MONTAJE DEL MOTOR UBICADA EN LA PÁGINA 42.

LISTA DETALLADA E ILUSTRADA DE LAS PIEZAS: GRUPO DEL MOTOR

N.º DE ELEMENTO	N.º DE PIEZA	DESCRIPCIÓN	CANT.
1	23119	MOTOR DEL EJE DE SALIDA	1
2	24004	PERNO M5 X 0.8 X 30 HEX	9
3	24005	ARANDELA M5 DE SEGURIDAD DEL RESORTE	9
4	23115	SELLO DE ACEITE CAUCHO 35 MM DIÁM. EXT.	1
5	23120	CUBIERTA DELANTERA DEL MOTOR	1
6	23128	COJINETE 6205RS	1
7	24006	PASADOR 5 MM X 12 CAJA DE ENGRANAJES	2
8	23118	ENGRANAJE DEL EJE DE SALIDA	1
9	23129	COJINETE 6003RS	1
10	23117	CUBIERTA SUPERIOR DEL FRENTE DE LA JUNTA	1
11	23122	SELLO DE ACEITE CAUCHO 30 MM DIÁM. EXT.	3
12	23130	COJINETE 6004RS	1
13*	---	MONT ROTOR	---
14	23131	COJINETE 6203RS	1
15	23121	JUNTA ALOJAMIENTO MOTOR	2
16*	---	MONT ALOJAMIENTO MOTOR	---
17	24014	INTERRUPTOR LECTURA	1
18	24009	CAPACITOR MOTOR 1.5 HP	1
19	24008	MOTOR RESTABLECER INTERRUPTOR 1.5 HP	1
20	24012	JUNTA CAJA DE CONEXIONES	1
21	24013	MOTOR ENCHUFE GFCI	1
22	24015	CUBIERTA CAJA DE CONEXIONES	1
23	W1200202	CUBIERTA VENTILADOR MOTOR 1.5 HP	1
24	W1200236	VENTILADOR MOTOR 1.5 HP	1
25	24010	INTERRUPTOR ENCENDIDO/APAGADO MOTOR	1
26	24076	RELÉ 120 V X 120 V	1
27	23866	TUERCA M4 X 0.7 X 3 HEX	2
28	23846	IMÁN INTERRUPTOR APAGADO	1
29	24082	ESPACIADOR INTERRUPTOR PLÁSTICO	1
30	24034	PERNO M4 X 0.7 X 25 PHILIPS	2



* LAS PIEZAS NO PUEDEN RECIBIR SERVICIO. SOLICITE LA PIEZA 21833 PARA SU REEMPLAZO.

**TÉRMINOS Y CONDICIONES DE LA GARANTÍA****GARANTÍA DEL PRODUCTO: GARANTÍA LIMITADA DE 1 AÑO**

Ardisam, Inc. (Ardisam), una empresa de fabricación, garantiza que este producto está libre de defectos de materiales o mano de obra durante un período de un año a partir de la fecha de compra. Si no existe evidencia suficiente de la fecha de compra, la fecha de vigencia de esta garantía comenzará en la fecha de fabricación de la desplumadora. Durante la garantía de un año de este producto, Ardisam proporcionará, a su discreción, las piezas y la mano de obra para corregir cualquier defecto provocado por materiales o mano de obra defectuosos. En ningún caso será la recuperación mayor que el precio de compra del producto vendido. Ardisam se reserva el derecho de inspeccionar cualquier unidad entrante devuelta bajo garantía para determinar si esta se aplica, antes de realizar cualquier trabajo relacionado con la garantía (lo que incluye piezas y componentes). Toda unidad que se use en una aplicación comercial o en una aplicación que produzca ingresos está cubierta por un período de 90 días después de la compra. Esta garantía se aplica al dueño original con una prueba de compra y no es transferible. Para que la garantía sea válida, se debe registrar en línea este producto, o bien, se debe completar la tarjeta de garantía y Ardisam la puede recibir, dentro de 30 días desde la compra. Esta garantía excluye los daños debido al desgaste normal, los elementos con desgaste como juntas tóricas, sellos y lubricantes. *Estas garantías solo se aplican a los productos que no se han sometido a un uso negligente, abuso, uso inadecuado, sobrecarga, instalación incorrecta, alteración, accidentes, rayos, casos fortuitos (u otros eventos más allá del control de Ardisam), vandalismo, piezas no autorizadas, no utilización del suministro eléctrico correcto, o si las reparaciones se realizaron en un centro de servicio no autorizado. Estas garantías no cubrirán los daños derivados del desgaste y deterioro natural, servicios y piezas de mantenimiento normales; como tampoco por instalación, operación, almacenamiento o mantenimiento incorrectos, ni por la operación del equipo sobre los límites máximos recomendados según se indica en este manual. Estas garantías sustituyen a todas las otras garantías expresadas o implícitas, y a todas las otras obligaciones o responsabilidades de parte de Ardisam. Ardisam no asume ni autoriza a ninguna otra persona a asumir por Ardisam ninguna responsabilidad vinculada con la venta de sus productos. **Para ser "Gratuito", el trabajo de garantía se debe enviar directamente a Ardisam y debe ser realizado por esta o un centro de servicio de garantía autorizado de Ardisam.** Para obtener servicio de garantía o instrucciones de reemplazo, comuníquese con el Departamento de Servicio al Cliente de Ardisam al 800-345-6007. Si decide enviar el producto a Ardisam para reparaciones de garantía, debe contar primero con aprobación previa de Ardisam; para esto, llame al Departamento de Servicio al Cliente de Ardisam para solicitar un número de autorización de devolución de material (RMA#). En estas circunstancias, todos los elementos se deben enviar pagados previamente. Ardisam reparará o reemplazará, a su criterio y de forma gratuita, todas las piezas defectuosas que coincidan con las condiciones indicadas anteriormente. Ardisam se reserva el derecho a cambiar modelos, especificaciones y precios sin previo aviso. Ardisam no estará obligado a enviar cualquier producto de reparación ni de repuesto a lugares fuera de los Estados Unidos de América o Canadá. Algunos estados o países no permiten las limitaciones en cuanto a la duración de una garantía implícita, o la exclusión o limitación de daños incidentales o indirectos, de modo que es posible que la limitación anterior no se aplique en su caso. Esta garantía le otorga derechos legales específicos y puede que además tenga otros derechos que varían entre los estados y países.



YARDBIRD™
Chicken Plucker

Yardbird®, Division of Ardisam, Inc.

1160 8th Avenue, PO Box 666

Cumberland, WI 54829

800-345-6007 | Fax 715-822-2223

E-mail/Courriel/Correo electrónico:

info@getearthquake.com

All weights, specifications and features are approximate and are subject to change without notice. Due to continuous product improvements, product images may not be exact. Items used for props not included. Some assembly may be required.

Tous les poids, spécifications et caractéristiques indiqués sont approximatifs et sujets à modification sans préavis. En raison des constantes améliorations de nos produits, les représentations du produit peuvent être inexactes. Les accessoires représentés ne sont pas compris. Un certain assemblage peut être requis.

Todos los pesos, las especificaciones y las características son aproximados y están sujetos a cambios sin previo aviso. Debido a las constantes mejoras en los productos, las imágenes de estos podrían no ser exactas. Los elementos que se usan como accesorios no vienen incluidos. Es posible que se requiera montar algunas piezas.

Check for parts online at www.yardbirdpluckers.com or call 800-345-6007 M-F 8-5