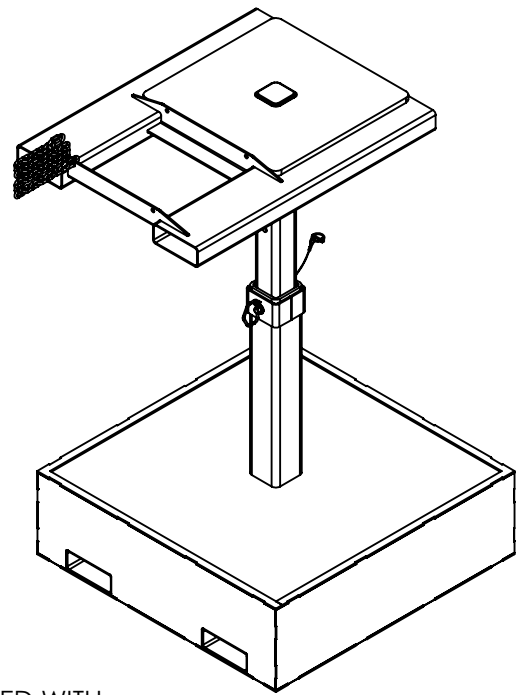
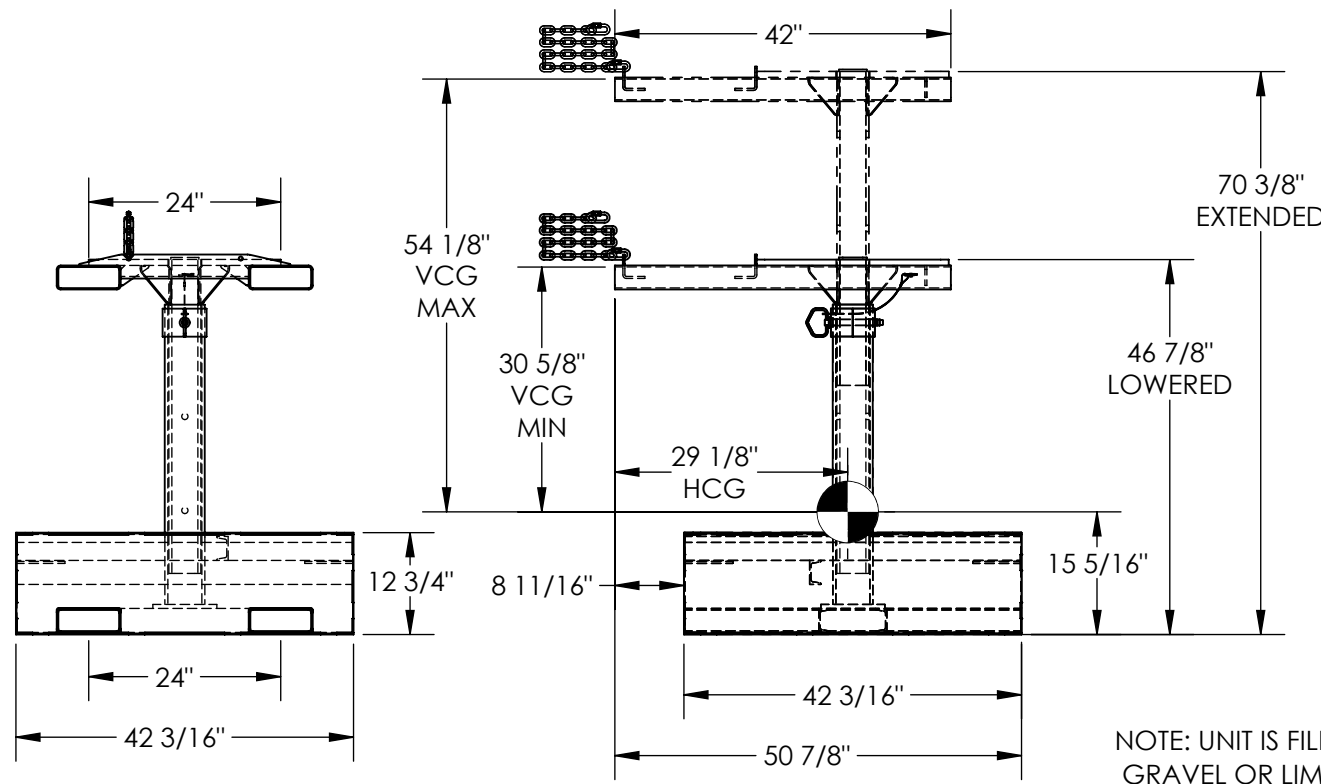


# FORK MOUNTED TRASH BIN COMPACTOR - FWBC-4242-2-BC

APPROX WEIGHT: 2000 lbs.  
DOES NOT INCLUDE WEIGHT OF POWER OR PACKAGING!!!

\*\*\* ANY ADDITIONS, DELETIONS, OR OMISSIONS MUST BE CORRECTED ON THIS DRAWING AS THIS DRAWING WILL BE CONSIDERED ALL INCLUSIVE \*\*\*

ALL GRAPHICS PROVIDED ARE FOR REFERENCE ONLY. IF CERTAIN DIMENSIONS ARE CRITICAL PLEASE VERIFY THOSE DIMENSIONS WITH YOUR SALESPERSON



NOTE: UNIT IS FILLED WITH GRAVEL OR LIMESTONE AGGREGATE CONCRETE.

DIMENSION TOLERANCE ± 1/4"

## STANDARD FEATURES

- MODEL NUMBER IS FWBC-4242-2-BC
- OVERALL WIDTH IS 42 3/16"
- OVERALL LENGTH IS 50 7/8"
- EXTENDED HEIGHT IS 70 9/16"
- LOWERED HEIGHT IS 47 1/16"
- FORK POCKETS ARE 7 1/2" x 2 1/2"
- USABLE ON 24" CENTERS
- DURABLE LIQUID PAINT BLUE FINISH
- BASE FILLED WITH CONCRETE
- UNIT WEIGHT 2000 LBS APPROX.
- CENTER OF GRAVITY CALCULATED W/ WEIGHT
- VERTICAL CENTER OF GRAVITY IS 54 1/8" MAX AND 30 5/8" MIN
- HORIZONTAL CENTER OF GRAVITY IS 29 1/8"

APPROX. WEIGHT / LOST LOAD = 2000 LBS.  
MINIMUM EFFECTIVE THICKNESS = LESS THAN 1"  
NEVER EXCEED LOAD CENTER RATING PER FORKTRUCK MANUFACTURERS GUIDELINES.  
DO NOT USE THIS FORK TRUCK ATTACHMENT IF LOAD WILL EXCEED FORK TRUCK MANUFACTURER'S LOAD CENTER RATING

## SPECIAL FEATURES

NONE

<b>APPROVAL</b>	I, THE UNDERSIGNED, AGREE THAT THE PRODUCT AS REPRESENTED SATISFIES DESIGN AND DIMENSION REQUIREMENTS. I ALSO ACKNOWLEDGE MY DUTY TO CONFIRM PRODUCT AND INSTALLATION COMPLIANCE WITH ALL APPLICABLE FEDERAL, STATE AND LOCAL REGULATIONS AND STANDARDS.	
	<b>UNITS REQUIRING APPROVAL DRAWINGS OR MODIFIED ARE NON-RETURNABLE</b>	
	<input type="checkbox"/> As drawn	<input type="checkbox"/> As marked
	Signed: _____	Date: _____
	Printed Name: _____	
LEAD TIME WILL START UPON RECEIPT OF SIGNED APPROVAL DRAWING		

DISTRIBUTOR'S NAME:		P.O.#
VESTIL MANUFACTURING		X
DRAWN BY: CJC		W.O.#
DATE: 5/31/2022		X
REFERENCE: X	SCALE: 1:24	SALES: X
QUOTED LEAD TIME: X	QUOTE #	FILE NAME:
	X	47-007-063