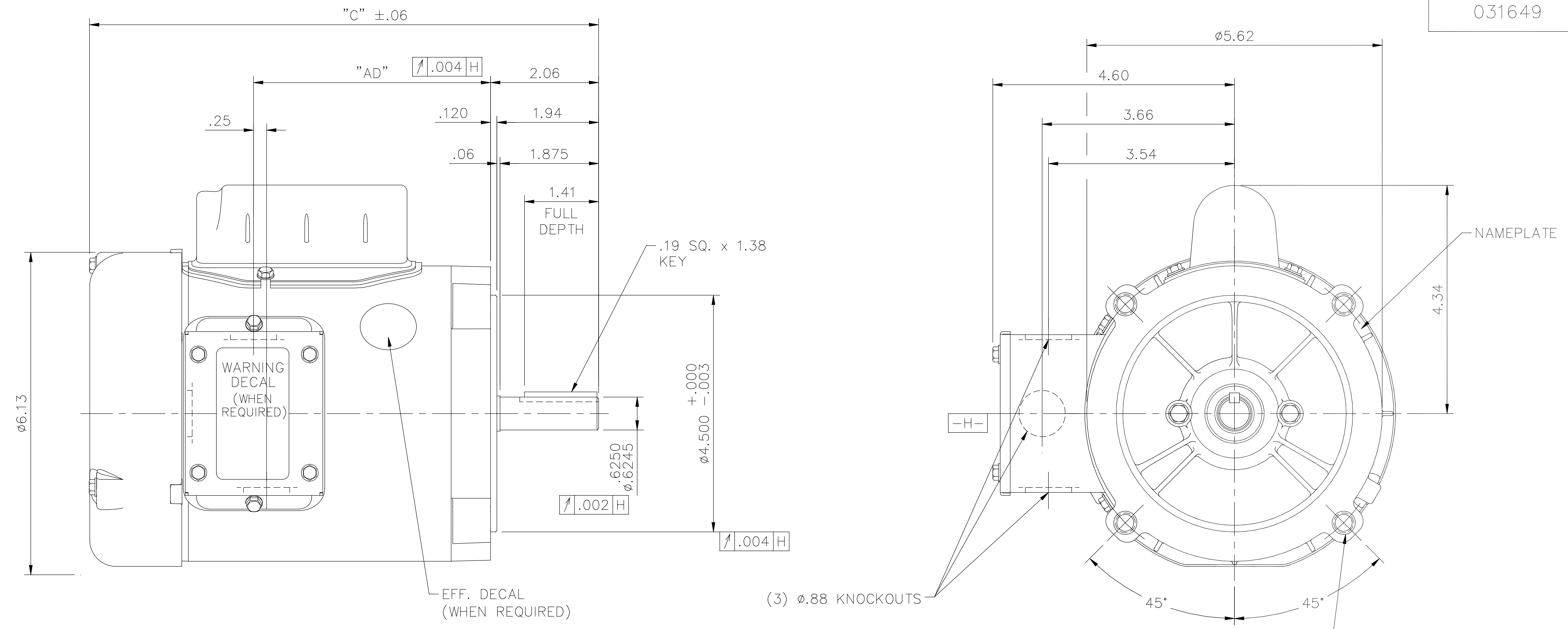


031649



DASH NO.	"C"	"AD"
475	9.44	4.25
500	9.69	4.50
525	9.94	4.75
550	10.19	5.00
575	10.44	5.25
600	10.69	5.50
625	10.94	5.75
650	11.19	6.00
675	11.44	6.25
700	11.69	6.50
725	11.94	6.75
750	12.19	7.00

GASKETS THROUGHOUT

ORACLE REV 004

REVISION			TOLERANCES UNLESS SPECIFIED		LEESON	ELECTRIC MOTORS GEARMOTORS AND DRIVES	DRAWN PG 9/24/01	
NO.	REVISION	BY & DATE	DEC.	INCHES			CHK	APPD
K	ADDED (WHEN REQ'D) TO WARNING DECAL ECO 0086600	GWS 10/7/15	.X	±.1	TITLE OUTLINE - S56C FRAME "C" FACE MOUNT - TEFC	MAT'L. 1 PHASE	SCALE	1=2
J	ADDED WARNING DECAL	SL 09/30/15	.XX	±.03			REF	030521
H	ADDED DASH NO. 475 (102866.00)	PG 10/28/03	.XXX	±.005			FMF	101766
G	REVISED CALLOUT FOR GD&T	KMM 6/6/02	.XXXX	±.0005			PREV	
			ANG	±1/2°				
THIS DRAWING IN DESIGN AND DETAIL IS OUR PROPERTY AND MUST NOT BE USED EXCEPT IN CONNECTION WITH OUR WORK ALL RIGHTS OF DESIGN AND INVENTION ARE RESERVED THIS IS AN ELECTRONICALLY GENERATED DOCUMENT - DO NOT SCALE THIS PRINT			RFP	CAD FILE	031649	SIZE	DRAWING NO.	REV.
			DIST			B	031649	K