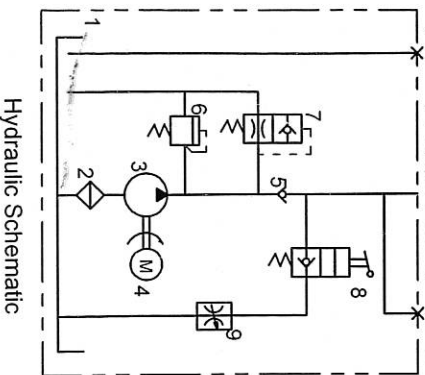


Electric Schematic

T (3/8NPT) P2(9/16-18UNF) P1(9/16-18UNF)

Note: The motor is prewired to 115V when shipping.



NO.	Description	P/N	Technical data
10	Manifold	LBZ-T1KK-1	Aluminium
9	Flow control valve	YBZ-E2D31/1/1-11	
8	Release Valve	YBZ-E2D31/1/1-02	
7	Buffer Valve	YBZ-E2D31/1/1-05A	
6	Relief Valve	LHRV-08-42	2900PSI(+/-100PSI)
5	Check Valve	YBZ-E2D31/1/1-03	
4	Motor	AM61-8FAM-3BA2R	115/230V, 1PH, 50/60HZ, 2850/3450rpm, 1.1Kw
3	Gear Pump	CBK-F0.8F	0.8ml/r
2	Suction Filter	YBZ-E2D31/1/1-10	
1	Tank	YBZ-SLYX-10L-N	2.7Gallon, Black, Plastic

Designed by	Checked By	Reviewed by	Approved by	Name	Hydraulic Power Unit
38 艾文	蔡一江	Zoka He	艾文	P/N	YBZ5-F0.8D5F1/ALVOT1
		Nov. 8 2017		Item#	53558
				Rev.:	0
Deli Wuxi Deli Hydraulics Co., Ltd. www.wx-dl.com tech@wx-dl.com					