

# Installation and Operator's Manual

## 8895556 Drill-free 3rd Brake Light Light Bar Mount

Works on 2019+ Dodge RAM 1500 Classic and 3500 – 5500 all models

### Safety Precautions

Do not install and/or operate this Light Bar Mount unless you have read and understand the information contained in this Installation and Operator's Manual.

#### WARNING

Improper installation and operation could cause personal injury, and/or property damage. Observe the following safety Precautions before, during and after operating this Light bar Mount. By following this precautions and common sense, possible injury to persons and potential damage to this Light Mount may be avoided.

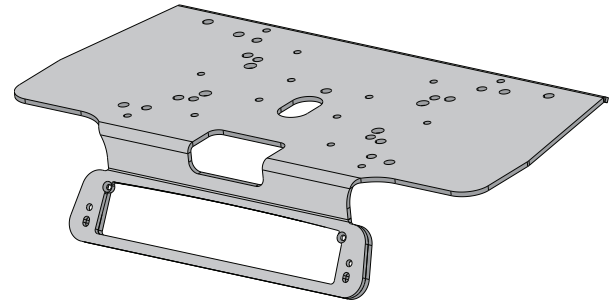


This symbol points out important safety instructions which, if not followed, could endanger the personal safety and /or property of yourself and others. Read and follow all instructions in this manual before attempting to install or operate the vehicle with Light Bar. Failure to comply with these instructions may result in personal injury. When you see this symbol. HEED ITS WARNING!

#### WARNING

Cancer and Reproductive Harm

For more information go to [www.P65Warnings.ca.gov](http://www.P65Warnings.ca.gov)



#### WARNING

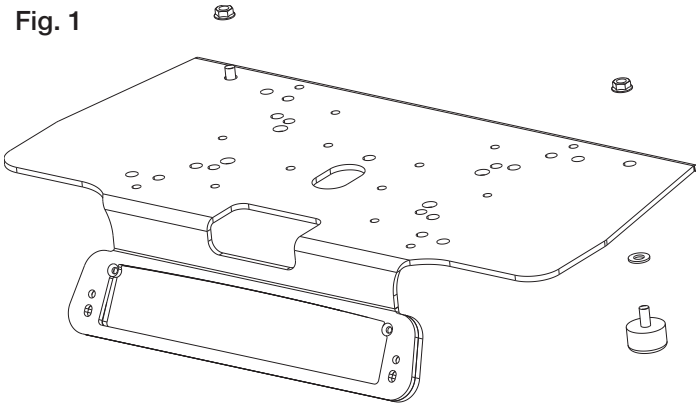
1. Proper installation combined with vehicle operator training in the use, care, and maintenance of the Light Bar Mount are essential to ensure the safety of you and others.
2. Use caution when working with live electrical connections.
3. Proper placement and installation are both critical to the performance of this Light Bar Mount. Install this product so that output performance of the mount and lighting system is maximized, and the lighting controls are placed within convenient reach of the operator so that one can operate the lighting system without losing eye contact with the roadway.
4. It is the responsibility of the vehicle operator to ensure during use that all features of this product work correctly. In use, the vehicle operator should ensure the projection of the mounted warning signal is not blocked by vehicle components (i.e., open trunks or compartment doors), people, vehicles, or other obstructions.
5. The use of this or any other warning device does not ensure all drivers can or will observe or react to a warning signal. Never take the right-of-way for granted. It is the vehicle operator's responsibility to be sure one can proceed safely before entering an intersection, driving against traffic, responding at a high rate of speed, driving on or around traffic lanes.
6. This Light Bar Mount is intended for use by authorized personnel only. The user is responsible for understanding and obeying all laws regarding warning signal devices. The vehicle operator shall check all applicable city, state, and federal laws and regulations. The Light Bar Mount manufacturer assumes no liability for any loss resulting from the use of this Light Bar Mount system.
7. The maximum recommended vehicle speed for safe operation using the Light Bar Mount is 80 mph (129 km/h) or POSTED SPEED LIMIT. Higher speeds could cause the mount to fail, which could cause damage to the mount vehicle or other vehicles, and injury or death to the driver, passengers, and/or bystanders.
8. The Light Bar Mount is not designed to be weather-proof in the event of pressure washing, high pressure mechanical car washing, or other forces beyond normal highway operation.
9. It is the responsibility of the vehicle owner and operator to inspect the Light Bar Mount monthly to be certain the clamping system remains secure and the weather resistant gasketing is secure and functioning. Replace any worn or damaged parts.
10. The Light Bar Mount is designed to provide a mounting platform for lighting, antennas, and GPS devices. In no way is this Light Bar Mount to be used as a load bearing rack for ladders, supplies or other equipment. The weight restriction of the Light Bar Mount is 30 lbs maximum.

## Install Instructions

**NOTICE: This part is aluminum and will not work with magnetically mounted accessories.**

**1.** Install the Rubber Bumpers to the Light Bar Mount using the included nuts. See Figure 1. **NOTICE: Use washers on as needed basis to fill the gap between Bumper and roof. See Figure 1.**

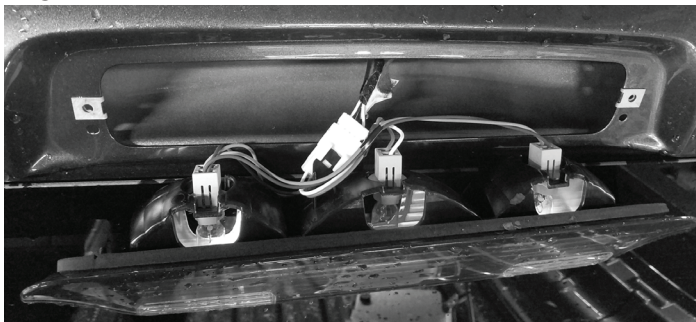
Fig. 1



**2.** Install the Light Bar (or other permanently mounted accessory) to the Light Bar Mount. **NOTICE: Ensure that no hardware protrudes more than 3/8" beyond the bottom of the Light Bar Mount so that the roof of the truck will not be contacted.** The Light Bar Mount comes with an array of existing holes. You may need to modify these or drill new holes to attach your accessory.

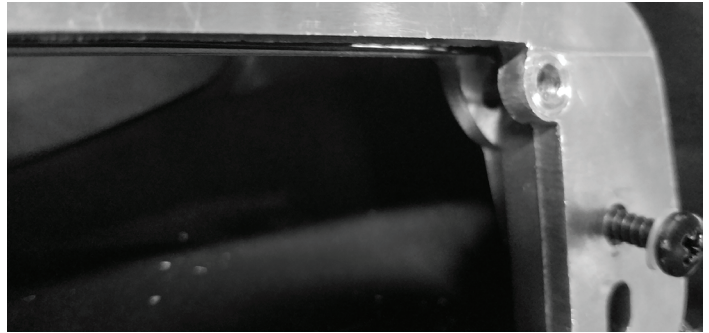
**3.** Remove the 3rd Brake Light Assembly from the truck by carefully taking out the 2 mounting screws and removing the lightbulbs and wire harness. Use phillips #2 bit. See Figure 2. **NOTICE: These screws will be reused to mount the light onto the Light Bar Mount and for the Mount alignment.**

Fig. 2



- 4.** Unplug the wire harness connector and set Light assembly aside.
- 5.** With the 3rd Brake Light Assembly removed, position the Light Bar Mount on the truck, check all hardware clearances and adjust as necessary.
- 6.** Inspect the gasket of the Light Bar Mount to ensure that gasket sealing surface is free of any defects or foreign materials
- 7.** Set Light Bar Mount onto the truck frame and align the Light Bar Mount to the opening using the two 3rd brake light screws removed in step 3. **DO NOT OVERTIGHTEN.** See Figure 3

Fig. 3



**8.** Position the Retainer Plate inside the truck cab behind the 3rd brake light. Hand tighten the two #10-32 screws provided to hold the Light Bar Mount in place. Do not fully tighten. See Figure 4, 5, 6, 7.

- a.** If you're direct wiring the Light Bar to vehicle harness
- i.** Route the Harness from the Light Bar or accessory through the slot above the 3rd brake light, around the side of the 3rd Brake Light housing and into the truck from the bottom. This will provide the best weather seal
  - ii.** Once everything is aligned and the wire is positioned as desired and the Light or accessory is functioning properly, securely tighten Light Bar Mount against the truck frame with the two #10-32 screws. Make sure that gasket is compressed evenly.
  - iii.** Remove the two-3rd brake light mounting screws. These will be used for the final 3rd Brake Light installation. See Figure 8.
- b.** If you're powering Light Bar or accessory with a prewired auxiliary/cigarette plug
- i.** Route the Harness from the Light Bar or accessory clear of any pinch points and into the truck where desired
  - ii.** Once everything is aligned and the wire is positioned as desired and the Light or accessory is functioning properly, securely tighten Light Bar Mount against the truck frame with the two #10-32 screws. Make sure that gasket is compressed evenly
  - iii.** Remove the two-3rd brake light mounting screws. These will be used for the final 3rd Brake Light installation

Fig. 4

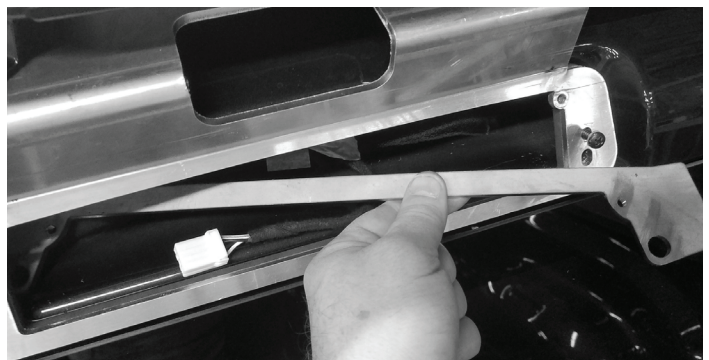


Fig. 5

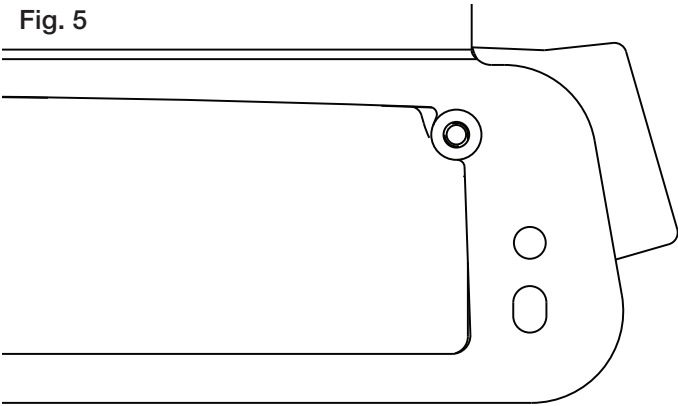


Fig. 6

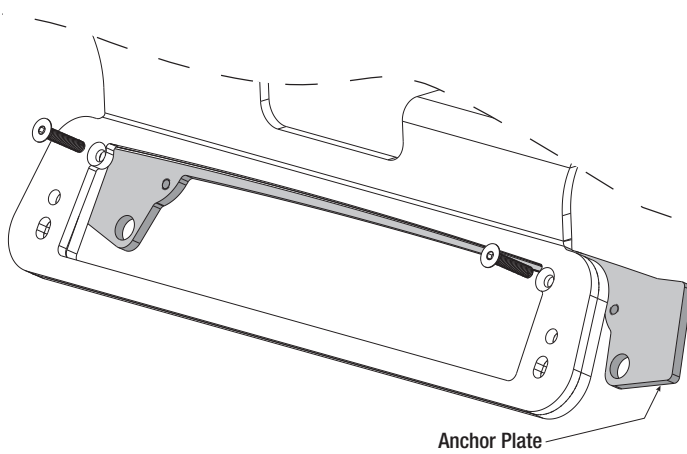


Fig. 7

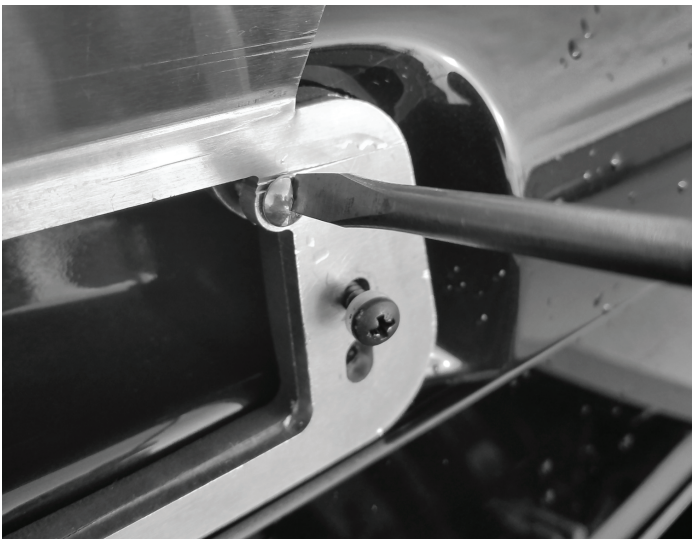
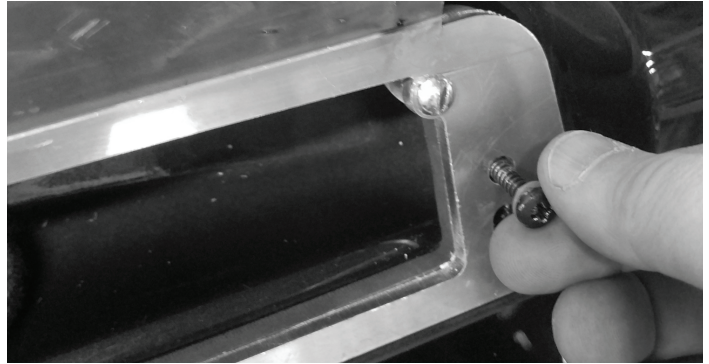


Fig. 8



**9.** With the Light Bar Mount in position, reinstall the 3rd Brake Light by first reconnecting the harness and then re-installing the two original 3rd brake light mounting screws. See Figure 9 and 10

Fig. 9

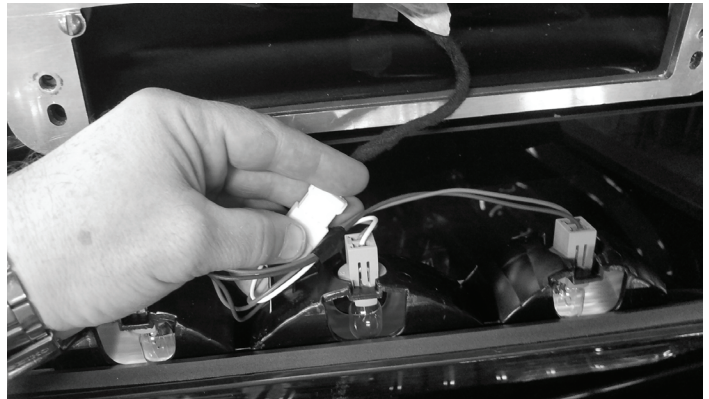
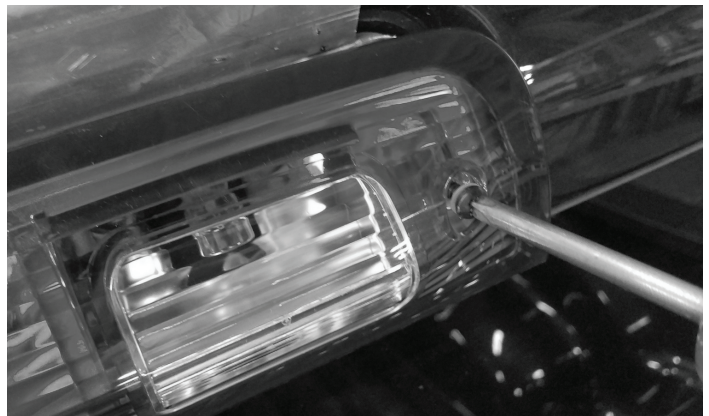
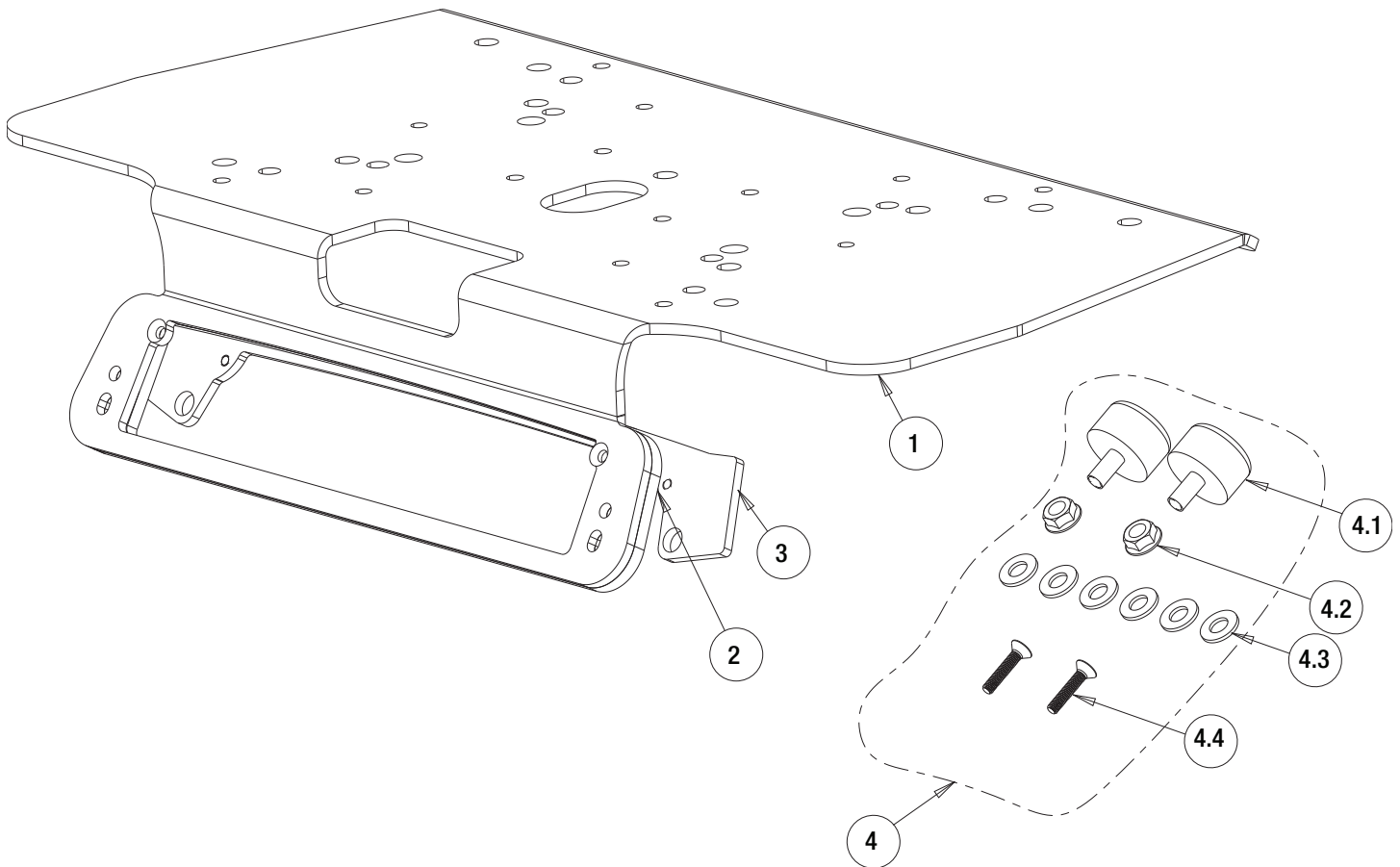


Fig. 10



**10.** Verify the function of 3rd Brake Light.

## Bills of Material



ITEM	PART NO.	QTY.	DESCRIPTION
1	3049349	1	PLATE, LIGHT MOUNT, RAM-2020+
2	3049350	1	GASKET,LIGHT MOUNT
3	3048930	1	PLATE, MOUNT, RAM
4	3048923	1	HARDWARE KIT
4.1	3003286	2	BUMPER, RUBBER W/ 5/16-18 STUD
4.2	3003777	2	NUT, SERRATED FLANGE 5/16-18 ZINC
4.3	FWF031075006	6	WASHER, 5/16 SAE ZINC
4.4	3048924	2	SCREW, FLAT HD, HEX DRV, #10-32X1.0

### Warranty

Buyers Products Co. warrants all truck/trailer hardware manufactured or distributed by it, to be free from defects in material and workmanship for a period of one year from date of shipment. Parts must be properly installed and used under normal conditions. Any product which has been altered, including modification, misuse, accident or lack of maintenance will not be considered under warranty. Normal wear is excluded. The sole responsibility of Buyers Products Co. under this warranty is limited to repairing or replacing any part or parts which are returned, prepaid, and are found to be defective by Buyers Products Co. Authorization from Buyers Products Co. must be obtained before returning any part. No charges for transportation or labor performed on Buyers' products will be allowed under this warranty.