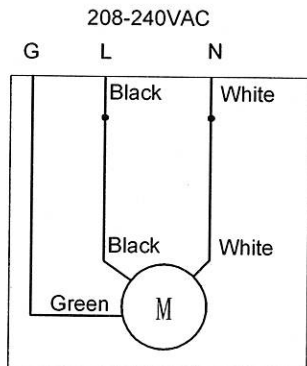
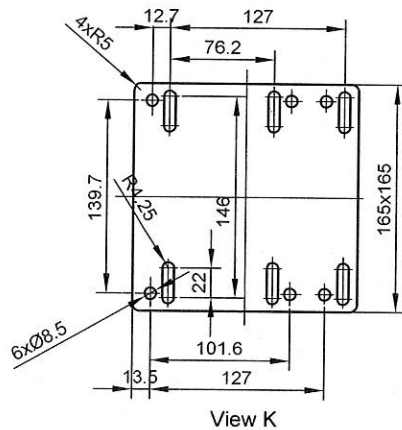


HYDRAULIC SCHEMATIC



Electrical Schematic



View K

12	Central Manifold	LBZ-G2KK-1	Aluminium
11	PLUG	YBZ1-PG08S	Ship loose in the box
10	Solenoid Valve	LSV2-08-2NCP-2H	#08 24 VDC Coil with Hirschmann Connector
9	Throttle Valve	YBZ-E2D311/1-11	Flow Control
8	Check Valve	DF08-01-00	MAX. Pressure 4500PSI
7	Buffer Valve	YBZ-E2D311/1-05A	MIN. Flow 2.4L/min
6	Needle Valve	YBZ-E3D312/1-02	For Manual Release
5	System Relief Valve	YBZ-E2D311/1-04A	2900PSI
4	Motor	AM61-3HAL-3BA3R	208-240V, 1PH, 2.2kw, 3450RPM, 60HZ, S3
3	Gear Pump	CBKA-F2.1F	2.1 cc/r
2	Suction Filter	YBZ-4-100	150µm
1	Tank	TK-13	Steel, 12L
No.	Description	P/N	Technical data

Designed by

Checked by

Reviewed by

Approved by

Name: Hydraulic Power Unit

P/N: YBZ5-F2.1E3H2/ALCBT1

Item# 53466

Rev.: B

**Deli** Wuxi Deli Hydraulics Co., Ltd.  
www.wx-dl.com tech@wx-dl.com

孙文浩

张-12

Zorka He  
Oct. 20, 2017

Deli Team  
Oct. 20 2017