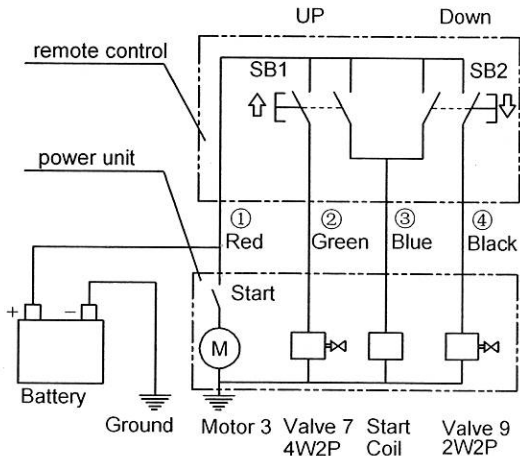


HYDRAULIC SCHEMATIC



ELECTRICAL SCHEMATIC

11	Central Manifold	LBZ-T61KK-1	Aluminium
10	Remote Control	RCA-2B4L6M-H	6 Meters long
9	Solenoid Valve	LSV-08-2NCP-5B	2-Way,2-Position,10VDC
8	Low Relief valve	RV-3/4-B	1500PSI
7	Solenoid Valve	LSV2-08-4CO-5B	4-Way,2-Position,10VDC
6	Check valve	ILCV2000-G14	Max 4350PSI
5	System Relief valve	RV-3/4-A	Preset at 3000 PSI
4	Gear pump	CBKA-F2.1F	2.1cc/r
3	Motor	DM11-1AWU-3BC1R-B	12VDC,2KW,S3 duty
2	Suction Filter	YBZ-GLQ-G3/8-Ø62.5	150um
1	Tank	YBZ-SLYX-4L-N	4L,Plastic
No.	Description	P/N	Technical data

Designed by

陈刚

Checked by

蔡一江

Reviewed by

蔡建川 2017.2.28

Approved by

Feb. 28. 2017

Name: Hydraulic Power Unit

P/N: YBZ5-F2.1A1A61/WUUTT1

Item#: 53460

Rev.: 0

**Deli** Wuxi Deli Hydraulics Co., Ltd.  
www.wx-dl.com tech@wx-dl.com