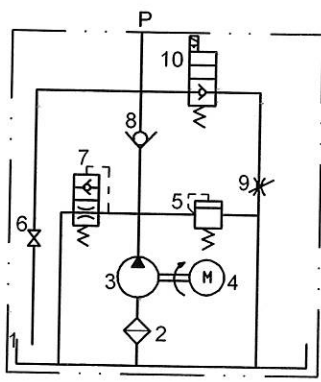
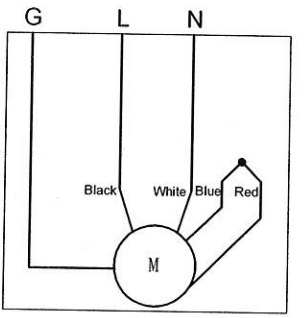
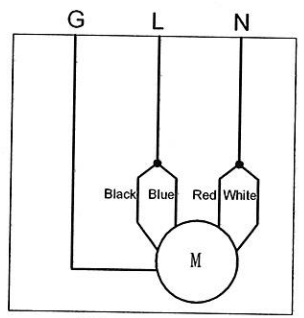
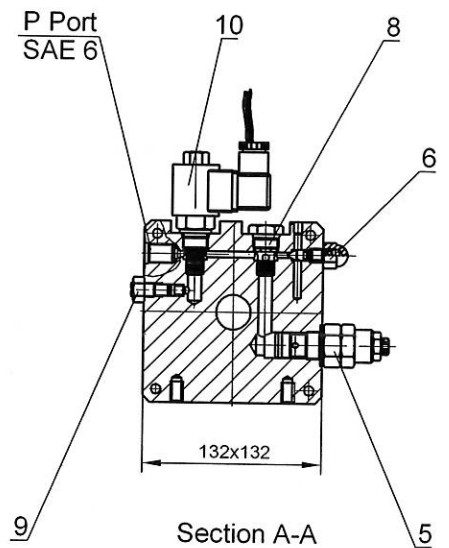
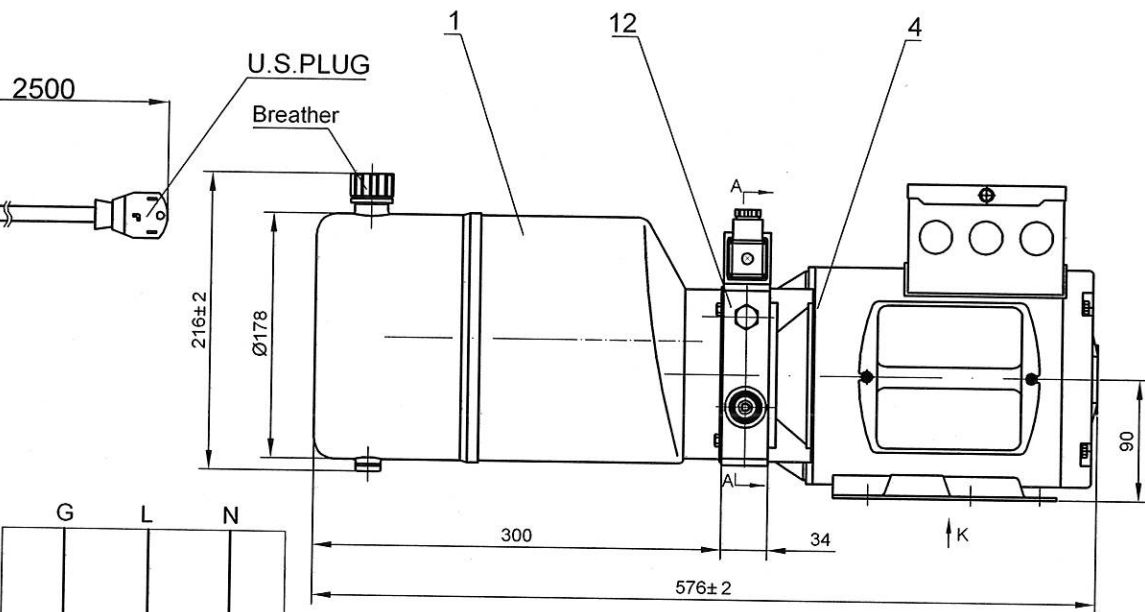
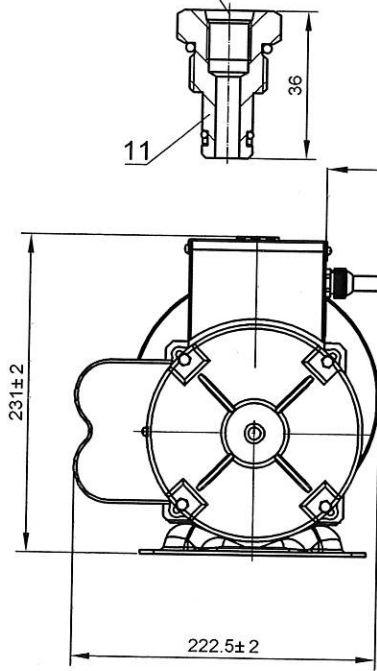
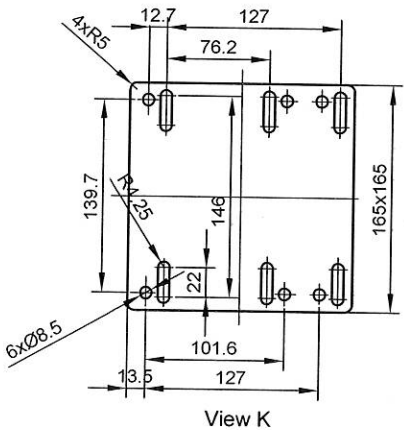


SAE 4
FOR RETURN



HYDRAULIC SCHEMATIC



View K

Note: The motor is prewired to 115V when shipping.

12	Central Manifold	LBZ-G2KK-1	Aluminium
11	PLUG	YBZ1-PG08S	Ship loose in the box
10	Solenoid Valve	LSV2-08-2NCP-2H	#08 24 VDC Coil with Hirschmann Connector
9	Throttle Valve	YBZ-E2D311/1-11	Flow Control
8	Check Valve	DF08-01-00	MAX. Pressure 4500PSI
7	Buffer Valve	YBZ-E2D311/1-05A	MIN. Flow 2.4L/min
6	Needle Valve	YBZ-E3D312/1-02	For Manual Release
5	System Relief Valve	YBZ-E2D311/1-04A	2900PSI
4	Motor	AM61-8FAK-3BA3R	115/230V,1PH,1.1kw,1750RPM,60HZ,S3
3	Gear Pump	CBKA-F1.6F	1.6cc/r
2	Suction Filter	YBZ-4-100	150µm
1	Tank	YBZ-TRYX-6L-N	Steel, 6L
No.	Description	P/N	Technical data

Designed by	Checked by	Reviewed by	Approved by
孙文浩	张一江	Zorka He Oct. 20, 2017	Deli Oct 20 2017

Name: Hydraulic Power Unit	
P/N: YBZ5-F1.6B8F2/AKABT1	
Item# 53459	Rev.: A

Deli Wuxi Deli Hydraulics Co., Ltd.
www.wx-dl.com tech@wx-dl.com