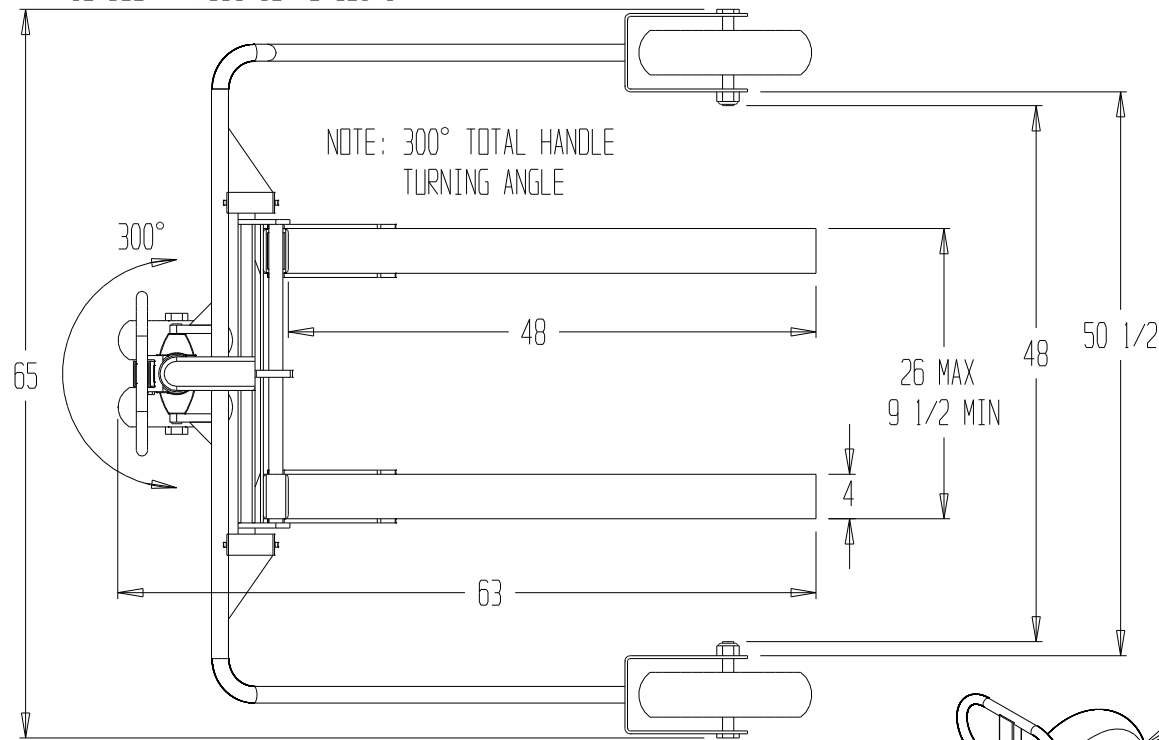


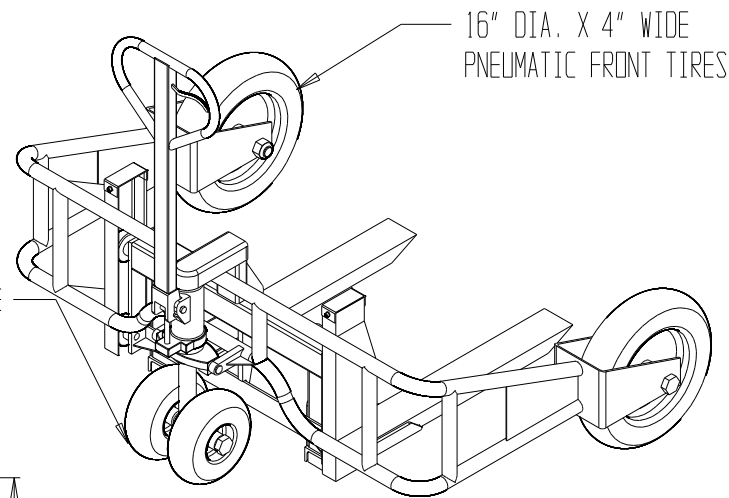
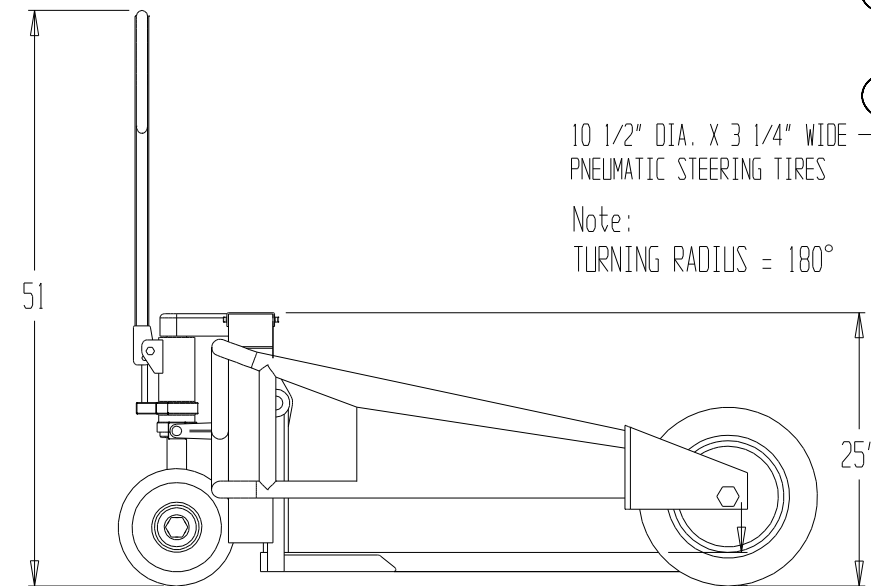
\*\*SPECIAL UNITS ARE NON-RETURNABLE  
 \*AVAILABLE AT ADDITIONAL COSTS

# ALL TERRAIN PALLET TRUCK, ALL-T-2-48



## SPECIAL FEATURES

NONE



3-D REFERENCE  
SCALE 1:20

Any additions, deletions or omissions must be corrected on this drawing, as this drawing will be considered all inclusive.

## STANDARD FEATURES

MODEL NUMBER: ALL-T-2-48  
 CAPACITY: 2,000 LB. AT 24" HORIZONTAL LOAD CENTER  
 1,500 LB. AT 27" HORIZONTAL LOAD CENTER  
 1,000 LB. AT 30" HORIZONTAL LOAD CENTER  
 (FOR USE WITH 48" LG PALLET)

OVERALL WIDTH: 65"  
 OVERALL LENGTH: 63"  
 OVERALL HEIGHT: 51"  
 OVERALL FORK WIDTH: 9 1/2" TO 26"  
 FORK LENGTH: 48"  
 FORK LOWERED HEIGHT: 3 1/8"  
 FORK RAISED HEIGHT: 9"  
 INDIVIDUAL FORK WIDTH: 4"  
 STRADDLE I.D.: 50 1/2"

APPROVAL	I, THE UNDERSIGNED, AGREE THAT THE PRODUCT AS REPRESENTED SATISFIES DESIGN & DIMENSION REQUIREMENTS. I ALSO ACKNOWLEDGE MY DUTY TO CONFIRM PRODUCT & INSTALLATION COMPLIANCE WITH ALL APPLICABLE FEDERAL, STATE AND LOCAL REGULATIONS & STANDARDS.	
	<b>UNITS REQUIRING APPROVAL DRAWINGS OR MODIFIED ARE NON-RETURNABLE</b>	
	( ) As drawn ( ) As marked	
	Signed: _____	Date: _____
Printed Name _____		
LEAD TIME WILL START UPON RECEIPT OF SIGNED APPROVAL DRAWING		

DISTRIBUTOR'S NAME: <b>VESTIL MFG</b>		P.O.#: -
DRAWN BY: W. BURKHART		W.O.#: -
DATE: 1/23/15	SCALE: NTS	SALES: -
REFERENCE: -	QUOTE #: -	DRWG./FILE NAME: ALL-T-2-48
QUOTED LEADTIME: -		