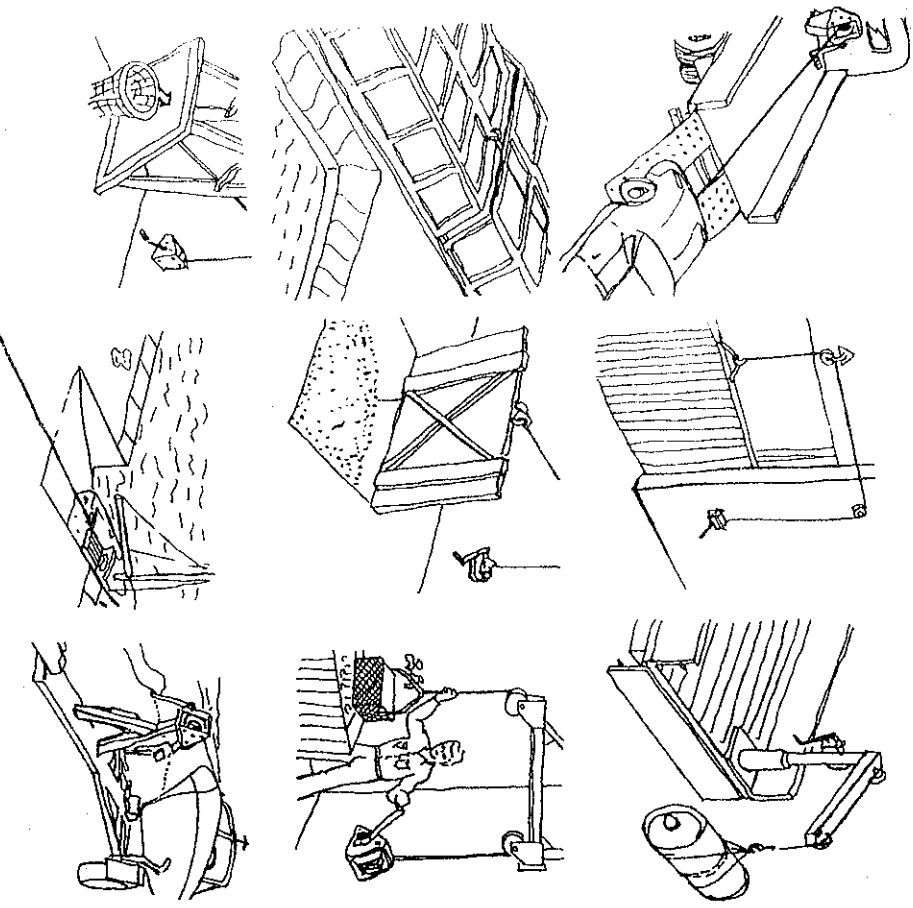


Great, hand winch can be used in so many ways!



BEFORE USE

- Firmly secure the winch to its plane.
- Use only the rope type recommended on the nameplate and observe the winding direction shown by the arrow.
- Never disengage the winch when loaded.
- Always keep 3 turns of rope around the drum.
- Periodically lubricate the gears.

Prohibitions for use:

- lift loads exceeding the rated load specified on the plate of the appliance;
- unwind the drum completely (Keep 2 to 3 extra-turns);
- pull sideways, swing the load, use the winch to lift staff, go under the load;
- use damaged or spliced ropes;
- use hooks without catches, not suitable for the loads specified on the appliance or in bad condition;
- insert objects into the moving parts;
- take action on appliance under load;
- allow the load to fall freely;
- motorize the appliances;
- use the rope of the appliance as a sling;

Statutory, compulsory checks by the user

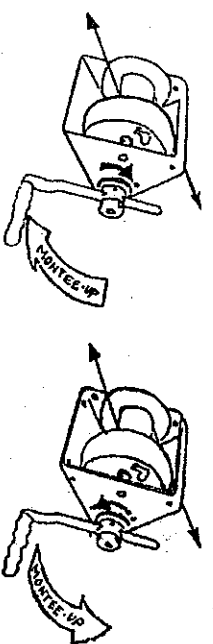
This equipment has been designed to withstand the following tests:

- dynamic proof test at coefficient 1.1
- static proof test at coefficient 1.5

A periodic maintenance check is require once a year.
Check the wear of the brake linings regularly.

Putting out of operation

When the equipment is in a state of decay likely to create risks, the user is obliged to do away with this material i.e. put it out of operation, dismantle it if required.

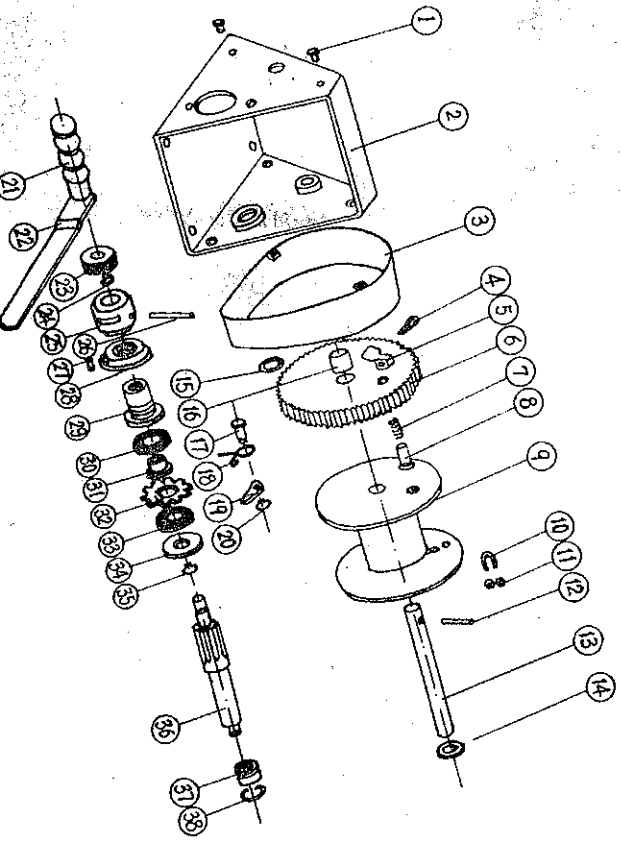


500kg
250kg
1000kg

GR SERIES PARTS LIST

1	Screw MSX12
2	Frame
3	Cover & rivet
4	Pin 3.2X22
5	Lever
6	Gear wheel
7	Spring
8	Release pin
9	Drum
10	Cable clamp
11	Nut M4
12	Spring pin 6X35
13	Shaft
14	Shim
15	Washer
16	Brass bushing
17	Pawl pin
18	Pawl spring
19	Pawl

20	Circlip 8
21	Hander
22	Crank
23	Knob
24	Circlip 6
25	Crank head
26	Spring pin Φ 8X25
27	Pin 4X20
28	Front bearing
29	Lock washer
30	Friction disc
31	Bush
32	Ratchet wheel
33	Friction disc
34	Support washer
35	Circlip 12
36	Shaft pinion
37	Retainer collar
38	Circlip 28



V5 SERIES PARTS LIST

1	Frame
2	Cover
3	Screw
4	Washer
5	Inner hexagonal screw
6	Worm wheel
7	Drum
8	Cable clamp
9	Nut M4
10	Nut
11	Spring pin
12	Shaft
13	Washer
14	Spring pin
15	Weld washer(bottom)
16	Weld washer(side)
17	Spring pin
18	Circlip
19	Pawl spring

20	Pawl
21	Pawl pin
22	Hander
23	Crank
24	Knob
25	Circlip 6
26	Crank head
27	Pin
28	Front bearing
29	Washer
30	Circlip
31	Shaft pinion
32	Friction disc
33	Ratchet wheel
34	Rear bearing
35	Brass bushing

