



Gable Exhaust Fan

Owner's Manual



⚠ WARNING: Read carefully and understand all ASSEMBLY AND OPERATION INSTRUCTIONS before operating. Failure to follow the safety rules and other basic safety precautions may result in serious personal injury.

Items #52831 & #52832

SAVE THESE IMPORTANT SAFETY INSTRUCTIONS

Thank you very much for choosing a Strongway™ product!

For future reference, please complete the owner's record below:

Serial Number/Lot Date Code: _____

Purchase Date: _____

Save the receipt, warranty, and this manual. It is important that you read the entire manual to become familiar with this product before you begin using it.

This Gable Exhaust Fan is designed for certain applications only. Northern Tool & Equipment is not responsible for issues arising from modification or improper use of this product such as an application for which it was not designed. We strongly recommend that this product not be modified and/or used for any application other than that for which it was designed.

For technical questions, please call **1-800-222-5381**.

Table of Contents

Intended Use.....	4
Technical Specifications	4
Important Safety Information	4
Specific Operation Warnings	6
Installation	7
Operating Instructions.....	9
Maintenance	9
Troubleshooting.....	10
Replacement Parts	10
Limited Warranty	11

Intended Use

The Strongway Gable Exhaust Fan provides continuous operation in workshops, barns, poultry houses, greenhouses, garages, and anywhere air movement controls condensation and reduces stagnant air.

Technical Specifications

Property	Specification	
	#52831	#52832
Air Delivery (CFM)	1200	1600
Volts	120V	120V
Watts	210W	220W
Frequency (Hz)	60Hz	60Hz

Important Safety Information

⚠WARNING

- Read and understand all instructions. Failure to follow all instructions may result in serious injury or property damage.
- The warnings, cautions, and instructions in this manual cannot cover all possible conditions or situations that could occur. Exercise common sense and caution when using this tool. Always be aware of the environment and ensure that the fan is used in a safe and responsible manner.
- Do not allow persons to operate or assemble the fan until they have read this manual and have developed a thorough understanding of how it works.
- Do not modify this fan in any way. Unauthorized modification may impair the function and/or safety and could affect the life of the product. There are specific applications for which the product was designed.
- Use the right tool for the job. DO NOT attempt to force small equipment to do the work of larger industrial equipment. There are certain applications for which this equipment was designed. It will be safer and do a better job at the capacity for which it was intended. DO NOT use this equipment for a purpose for which it was not intended.
- Industrial or commercial applications must follow OSHA requirements.
- Use this unit only in the manner intended by the manufacturer. If you have questions, contact the manufacturer at the address or telephone number listed in the warranty.
- Sufficient air is needed for proper combustion and exhausting of gases through the flue (chimney) of fuel burning equipment to prevent excessive low pressure and to prevent back drafting. Follow the heating equipment to guidelines and safety standards such as those published by the National Fire Protection Association (NFPA), and the American Society for Heating, Refrigeration and Air Conditioning Engineers (ASHRAE), and the local code.
- For general ventilating use only. Do not use to exhaust hazardous or explosive materials or vapors.
- Attach louvers or grilles when installing the fan.

⚠️WARNING

This product may contain chemicals known to the State of California to cause cancer, birth defects or other reproductive harm.

⚠️WARNING

WORK AREA SAFETY

- Inspect the work area before each use. Keep work area clean, dry, free of clutter, and well-lit. Cluttered, wet, or dark work areas can result in injury. Using the fan in confined work areas may put you dangerously close to other cutting tools and rotating parts.
- Do not use the gable exhaust fan where there is a risk of causing a fire or an explosion; e.g., in the presence of flammable liquids, gases, or dust. The product can create sparks, which may ignite the flammable liquids, gases, or dust.
- Keep children and bystanders away from the work area while operating the fan. Do not allow children to handle the gable exhaust fan.
- When cutting or drilling into wall or ceiling, do not damage electrical wiring and other hidden utilities.
- The fan should be mounted behind louvers or in a location where the entrance of drawn in water is unlikely.
- To avoid motor bearing damage and noisy and/or unbalanced impellers, keep drywall spray, construction dust, etc. off power unit.

⚠️WARNING

PERSONAL SAFETY

- Stay alert, watch what you are doing, and use common sense when operating the fan. Do not use the tool while you are tired or under the influence of drugs, alcohol, or medication. A moment of inattention while operating the tool may result in serious personal injury.
- Dress properly. Do not wear loose clothing, dangling objects, or jewelry. Keep your hair, clothing and gloves away from moving parts. Loose clothes, jewelry, or long hair can be caught in moving parts. Air vents on the tool often cover moving parts and should be avoided.
- Wear the proper personal protective equipment when necessary. Use ANSI Z87.1 compliant safety goggles (not safety glasses) with side shields, or when needed, a face shield. Use a dust mask in dusty work conditions. Also use non-skid safety shoes, hardhat, gloves, dust collection systems, and hearing protection when appropriate. This applies to all persons in the work area.
- Do not overreach. Keep proper footing and balance at all times.
- Ensure the power switch is off prior to plugging in the fan.
- Do not touch the motor. May be hot enough to cause injury.
- In cases in which property damage may result from malfunction of the fan, a suitable alarm (air switch, temperature sensor, etc.) should be used.

⚠️WARNING

ELECTRICAL SAFETY

- Avoid body contact with grounded surfaces such as pipes, radiators, ranges, and refrigerators. There is an increased risk of electric shock if your body is grounded.

⚠️CAUTION

FAN USE AND CARE

- Check for damaged parts before each use. Carefully check that the product will operate properly and perform its intended function. Replace damaged or worn parts immediately. Never operate the product with a damaged part.
- Do not use a product with a malfunctioning switch. Any power tool that cannot be controlled with the power switch is dangerous and must be repaired by an authorized service representative before using.
- Disconnect the power/air supply from the product and place the switch in the locked or off position before making any adjustments, changing accessories, or storing the tool. Such preventive safety measures reduce the risk of starting the tool accidentally.
- Store the fan when it is not in use. Store it in a dry, secure place out of the reach of children. Inspect the tool for good working condition prior to storage and before re-use.
- Use only accessories that are recommended by the manufacturer for use with your product. Accessories that may be suitable for one product may create a risk of injury when used with another tool. Never use an accessory that has a lower operating speed or operating pressure than the tool itself.

Specific Operation Warnings

⚠️WARNING

- Electric shock hazard. Do not expose fan to water or rain.
- To reduce risk of fire or electrical shock, do not use this fan with any solid state speed control.
- Be sure equipment is properly grounded.
- Do not use an extension cord with this product.
- Rotating blade hazard. Keep hands clear from blade during operation.
- Automatically operated device. To reduce risk of injury, disconnect from the power supply before servicing.
- Explosion hazard. Do not use this fan in the presence of flammable liquids, gases or dust.
- Disconnect power before servicing.
- Installation work and electrical wiring must be done by qualified person(s) in accordance with all applicable codes and standards, including fire-rated construction.
- Use OSHA approved lock-out tag-out devices on power supply to prevent shock and/or electrocution.

- Sufficient air is needed for proper combustion and exhausting of gases through the flue (chimney) of fuel burning equipment to prevent back drafting. Follow the heating equipment manufacturer's guideline and safety standards such as those published by the National Fire Protection Association (NFPA), and the American Society for Heating, Refrigeration and Air Conditioning Engineers (ASHRAE), and the local code authorities.
- The fan frame and motor must be electrically grounded to a suitable electrical ground, such as a grounded water pipe or ground wire system.
- Install in interior wall. Not for use in kitchens.
- Be sure fan is mounted at least 7 feet above floor.
- Not for use by or around children.

Installation

⚠WARNING

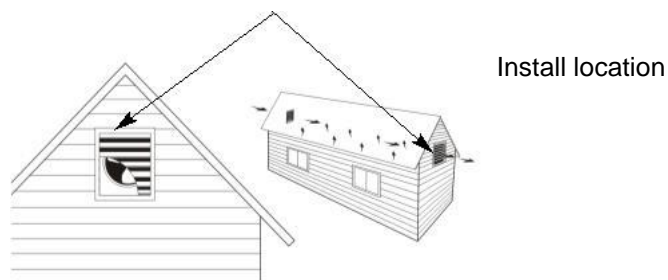
- Be sure equipment is properly grounded.
- Do not use an extension cord with this product.
- Explosion hazard. Do not use this fan in the presence of flammable liquids, gases or dust.
- Installation work and electrical wiring must be done by qualified person(s) in accordance with all applicable codes and standards, including fire-rated construction.
- Sufficient air is needed for proper combustion and exhausting of gases through the flue (chimney) of fuel burning equipment to prevent back drafting. Follow the heating equipment manufacturer's guideline and safety standards such as those published by the National Fire Protection Association (NFPA), and the American Society for Heating, Refrigeration and Air Conditioning Engineers (ASHRAE), and the local code authorities.
- The fan frame and motor must be electrically grounded to a suitable electrical ground, such as a grounded water pipe or ground wire system.

1. A gable exhaust fan is intended to be mounted in a gable wall. If your existing gable vent is large enough, mount the fan directly behind it. If the gable vent is not large enough, you may need to enlarge the opening to accommodate a slightly larger louver or automatic shutter when needed.

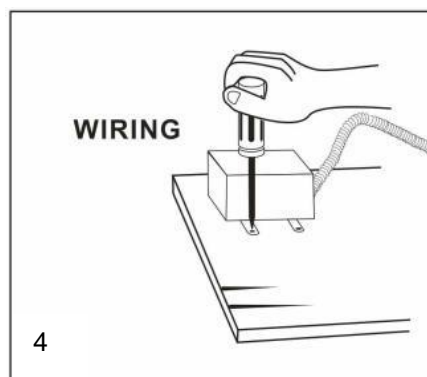
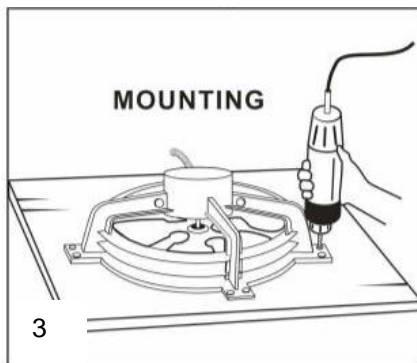
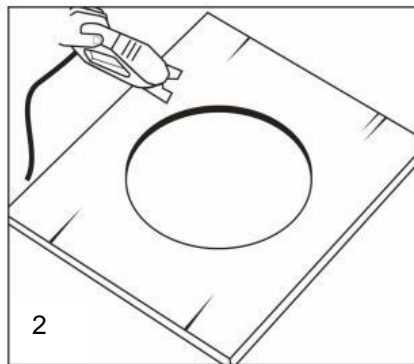
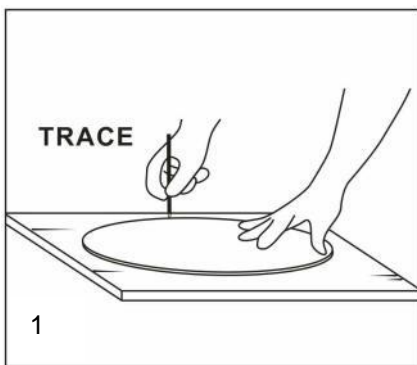
2. Cut a piece of plywood to a size that will accommodate the attic framing that surrounds the vent hole.

3. Cut the circle from the carton and position the cardboard template on the plywood so the finished hole will be centered over the vent hole when the plywood is secured to the wall. Trace around the template with a pencil.

4. Use a sabre saw to cut out the airway on the plywood for mounting the gable mount fan.



5. Place the fan's mounting bracket on the plywood, center the fan over the opening, and screw the bracket to the plywood.
 6. Carry the fan and plywood assembly into the attic, position it behind the shutter, and nail it to the gable framing.
 7. The control box of the metal housing was attached to the fan by a flexible conduit. Secure the control box by screwing it onto the plywood before connecting wires.
 8. Connect the Black and White wire line out from the control box to the electric lines controlled by a master On/Off switch, as shown in the wiring diagram for #52831 and #52832.
 9. Turn off the wall switch prior to servicing unit. To avoid personal injury, wall switch must be turn off before servicing since the built-in theraml protection may turn on the circulator automatically.
- Note: The control box of the #52831 with thermostat only was mounted on the unit directly.



Operating Instructions

⚠WARNING

This fan is to be operated without guards in place to prevent persons and/or objects from contacting the revolving propeller. Do not get close to the fan after turn on. It may create unsafe conditions.

Set the Thermostat and/or Humidistat to desired condition before operating. Use the screw driver to turn the arrow of the knob to the desire temperature/humidity mark on the panel of the control box.

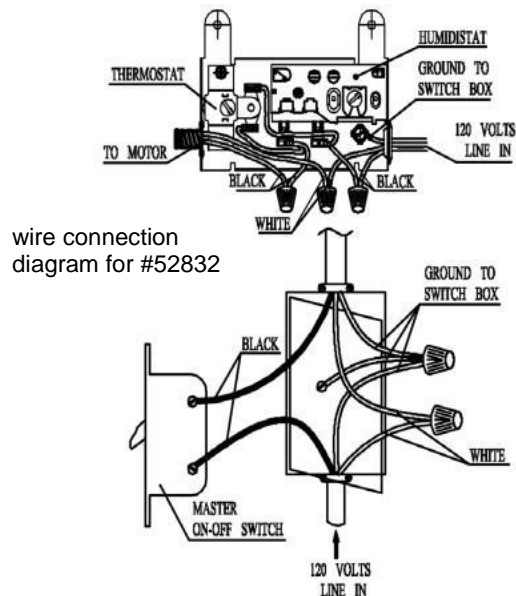
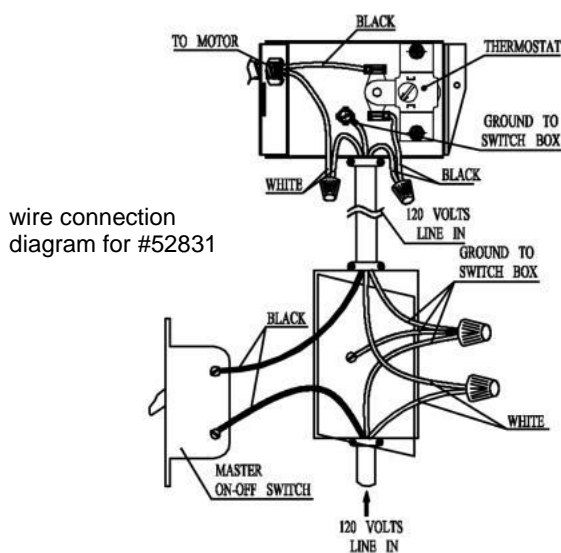
To avoid the possibility of overturning the fan, operate on a stable, level surface. Do not move fan while it is in operation.

Maintenance

⚠WARNING

Disconnect power before servicing.

Maintain the gable exhaust fan by adopting a program of conscientious repair and maintenance in accordance with the following recommended procedures. It is recommended that the general condition of any tool be examined before it is used. Keep your tool in good repair. Also refer to the engine manufacturer's instruction manual for additional information about engine maintenance.



1. Parts replacement and troubleshooting to be performed only by qualified personnel.
2. Do not depend on any switch as the sole means of disconnecting power when installing or servicing the fan. Failure to do so may result in fatal electrical shock.
3. Do not use gasoline, benzene, thinner, harsh cleaners, etc., which are dangerous and will damage the air circulator.
4. Turn off the wall switch before servicing or cleaning.

5. The propeller and motor should be cleaned periodically to prevent overheating, and/or operating in an imbalanced condition.
6. Do not repair propeller if it becomes damaged. The propeller is accurately balanced at the factory and should be replaced if damaged.
7. Motor is permanently lubricated.

Troubleshooting

Use the table below to troubleshoot problems before contacting service personnel or your local dealer. If the problem continues after troubleshooting, call your local dealer for assistance.

Failure	Possible Cause	Corrective Action
Unit fails to operate	Master switch not turn on	Turn on the master switch
	Blown fuse or open circuit breaker	Replace fuse or reset circuit breaker
	No power	Contact power company
	Defective motor	Replace unit; motor is not field serviceable
Excessive vibration	Screws mounting fan to the plywood are torqued insufficiently	Torque the screws well to secure the gable fan unit
	Propeller imbalance due to accumulation of dirt, etc.	Clean propeller

Replacement Parts

- For replacement parts and technical questions, please call Customer Service at **1-800-222-5381**.
- Not all product components are available for replacement. The illustrations provided are a convenient reference to the location and position of parts in the assembly sequence.
- When ordering parts, the following information will be required: item description, item model number, item serial number/item lot date code, and the replacement part reference number.
- The distributor reserves the rights to make design changes and improvements to product lines and manuals without notice.

Limited Warranty

Northern Tool and Equipment Company, Inc. ("We" or "Us") warrants to the original purchaser only ("You" or "Your") that the Strongway product purchased will be free from material defects in both materials and workmanship, normal wear and tear excepted, for a period of **one year** from date of purchase. The foregoing warranty is valid only if the installation and use of the product is strictly in accordance with product instructions. There are no other warranties, express or implied, including the warranty of merchantability or fitness for a particular purpose. If the product does not comply with this limited warranty, Your sole and exclusive remedy is that We will, at our sole option and within a commercially reasonable time, either replace the product or product component without charge to You or refund the purchase price (less shipping). This limited warranty is not transferable.

Limitations on the Warranty

This limited warranty does not cover: (a) normal wear and tear; (b) damage through abuse, neglect, misuse, or as a result of any accident or in any other manner; (c) damage from misapplication, overloading, or improper installation; (d) improper maintenance and repair; and (e) product alteration in any manner by anyone other than Us, with the sole exception of alterations made pursuant to product instructions and in a workmanlike manner.

Obligations of Purchaser

You must retain Your product purchase receipt to verify date of purchase and that You are the original purchaser. To make a warranty claim, contact Us at 1-800-222-5381, identify the product by make and model number, and follow the claim instructions that will be provided. The product and the purchase receipt must be provided to Us in order to process Your warranty claim. Any returned product that is replaced or refunded by Us becomes our property. You will be responsible for return shipping costs or costs related to Your return visit to a retail store.

Remedy Limits

Product replacement or a refund of the purchase price is Your sole remedy under this limited warranty or any other warranty related to the product. We shall not be liable for: service or labor charges or damage to Your property incurred in removing or replacing the product; any damages, including, without limitation, damages to tangible personal property or personal injury, related to Your improper use, installation, or maintenance of the product or product component; or any indirect, incidental or consequential damages of any kind for any reason.

Assumption of Risk

You acknowledge and agree that any use of the product for any purpose other than the specified use(s) stated in the product instructions is at Your own risk.

Governing Law

This limited warranty gives You specific legal rights, and You also may have other rights which vary from state to state. Some states do not allow limitations or exclusions on implied warranties or incidental or consequential damages, so the above limitations may not apply to You. This limited warranty is governed by the laws of the State of Minnesota, without regard to rules pertaining to conflicts of law. The state courts located in Dakota County, Minnesota shall have exclusive jurisdiction for any disputes relating to this warranty.



Distributed by:

Northern Tool & Equipment Company, Inc.

Burnsville, Minnesota 55306

www.northerntool.com

Made in China