



16 Inch Barn Light

Owner's Manual



⚠ WARNING: Read carefully and understand all ASSEMBLY AND OPERATION INSTRUCTIONS before operating. Failure to follow the safety rules and other basic safety precautions may result in serious personal injury.

Items #52681 & #52682

SAVE THESE INSTRUCTIONS

Thank you very much for choosing a Strongway™ product!

For future reference, please complete the owner's record below:

Serial Number/Lot Date Code: _____

Purchase Date: _____

Save the receipt, warranty, and this manual. It is important that you read the entire manual to become familiar with this product before you begin using it.

This 16 Inch Barn Light is designed for certain applications only. Northern Tool & Equipment is not responsible for issues arising from modification or improper use of this product such as an application for which it was not designed. We strongly recommend that this product not be modified and/or used for any application other than that for which it was designed.

For technical questions, please call **1-800-222-5381**.

Table of Contents

Intended Use.....	4
Technical Specifications	4
Important Safety Information	4
Specific Operation Warnings	6
Main Parts of Product	6
Assembly Instructions.....	6
Mounting Sketch	9
Maintenance	10
Parts Diagram.....	10
Parts List.....	11
Replacement Parts	11
Limited Warranty.....	12

Intended Use

This 16" Barn Light is perfect for your warehouse, yard, bar, and more. With the multiple mounts that are included, your options are endless. No matter where you place the light, its durable metal construction with powder-coat finish ensures that this light will provide the superior performance you expect.

Technical Specifications

Property	Specification
Material	Aluminum
Finish	Powder-coat
Product Size	16in. Shade Cover
Bulb	Requires E26 bulb (not included)
Lamp type	120 Volt, 200 Watt, 60Hz

Important Safety Information

⚠WARNING

- Read and understand all instructions. Failure to follow all instructions may result in serious injury or property damage.
- The warnings, cautions, and instructions in this manual cannot cover all possible conditions or situations that could occur. Exercise common sense and caution when using this barn light. Always be aware of the environment and ensure that the tool is used in a safe and responsible manner.
- Do not allow persons to operate or assemble the product until they have read this manual and have developed a thorough understanding of how it works.
- Do not modify this barn light in any way. Unauthorized modification may impair the function and/or safety and could affect the life of the product. There are specific applications for which the product was designed.
- Use the right tool for the job. DO NOT attempt to force small equipment to do the work of larger industrial equipment. There are certain applications for which this barn light was designed. It will be safer and do a better job at the capacity for which it was intended. DO NOT use this equipment for a purpose for which it was not intended.
- Industrial or commercial applications must follow OSHA requirements.

⚠WARNING

WORK AREA SAFETY

- Inspect the work area before each use. Keep work area clean, dry, free of clutter, and well lit. Cluttered, wet, or dark work areas can result in injury. Using the product in confined work areas may put you dangerously close to other cutting tools and rotating parts.
- Keep children and bystanders away from the work area while operating the tool. Do not allow

children to handle the barn light.

⚠WARNING

PERSONAL SAFETY

- Stay alert, watch what you are doing, and use common sense when operating the barn light. Do not use the barn light while you are tired or under the influence of drugs, alcohol, or medication. A moment of inattention while operating the tool may result in serious personal injury.
- Dress properly. Do not wear loose clothing, dangling objects, or jewelry. Keep your hair, clothing and gloves away from moving parts. Loose clothes, jewelry, or long hair can be caught in moving parts. Air vents on the tool often cover moving parts and should be avoided.
- Wear the proper personal protective equipment when necessary. Use ANSI Z87.1 compliant safety goggles (not safety glasses) with side shields, or when needed, a face shield. Use a dust mask in dusty work conditions. Also use non-skid safety shoes, hardhat, gloves, dust collection systems, and hearing protection when appropriate. This applies to all persons in the work area.
- Do not overreach. Keep proper footing and balance at all times.
- Ensure the power switch is off prior to plugging in the tool.

⚠WARNING

ELECTRICAL SAFETY

- Avoid body contact with grounded surfaces such as pipes, radiators, ranges, and refrigerators. There is an increased risk of electric shock if your body is grounded

⚠CAUTION

LIGHT USE AND CARE

- Check for damaged parts before each use. Carefully check that the barn light will operate properly and perform its intended function. Replace damaged or worn parts immediately. Never operate the barn light with a damaged part.
- Do not use a barn light with a malfunctioning switch. Any power tool that cannot be controlled with the power switch is dangerous and must be repaired by an authorized service representative before using.
- Disconnect the power/air supply from the product and place the switch in the locked or off position before making any adjustments, changing accessories, or storing the tool. Such preventive safety measures reduce the risk of starting the tool accidentally.
- Store the barn light when it is not in use. Store it in a dry, secure place out of the reach of children. Inspect the tool for good working condition prior to storage and before re-use.
- Use only accessories that are recommended by the manufacturer for use with your barn light. Accessories that may be suitable for one product may create a risk of injury when used with another tool. Never use an accessory that has a lower operating speed or operating pressure than the tool itself.

Specific Operation Warnings

⚠WARNING

- Do not modify the light in any way. Unauthorized modification may impair the function and/or safety and could affect the life of the product. There are specific applications for which the 12" warehouse barn light was designed.
- Do not use any harsh abrasives, detergents or anything containing ammonia to clean your light.
- Risk of fire. Install fixture at least 4 feet from the ground.
- Risk of electric shock. Disconnect power before servicing.
- This product must be installed in accordance with the applicable installation code by a person familiar with the construction and operation of the product and the hazards involved.
- Keep protective barrier in place or replace removable parts after servicing.
- Blinking light of this thermally protected luminaire may indicate overheating.
- Ensure the fixture is properly grounded.

Main Parts of Product

Reference Number	Subassembly
1	Shade
2	Cage
3	Lamp Holder

Assembly Instructions

⚠WARNING

Disconnect power at main electrical box before installing fixture.

1. Run black, white, and green wires from lamp holder (3) through shade (1), washer (4), O-ring (5), hex connector (6), connect nipple (7), gooseneck (8), back plate (9), and gasket (10).
2. Place the lamp holder (3) fixture onto the hex connector (6). Rotate the connect nipple (7) to the hex connector (6). Rotate gooseneck (8) to the other end of connect nipple (7). Seat other end of gooseneck into the back plate (9). Then rotate set screws (15) in back plate to attach the gooseneck (8) into place. **Note: wrap each of the threads with PTFE thread seal tape (20).**
3. Attach the black fixture wire to the black supply wire and the white fixture wire to white supply wire, using wire nuts (21) provided.
4. Connect the green fixture wire to grounding screw in the junction box.
5. Attach the back plate (9) and gasket (10) to the junction box by #8-32 screws (16). (You can also use tapping screws (17) and wall plugs (18) for attaching.)

Additional Instruction for Gooseneck with Knuckle Mounting

1. Disconnect power at main electrical box before installing fixture.
2. Run black, white, and green wires from lamp holder (3) through the shade (1), washer (4), O-ring

(5), hex connector (6), knuckle (11), gooseneck (8), back plate (9), and gasket (10). **Note: Before crossing the wire, foist the cotton varnished sleeve (19) into the knuckle to protect the wire. Refer to the figure for wiring through the knuckle.**

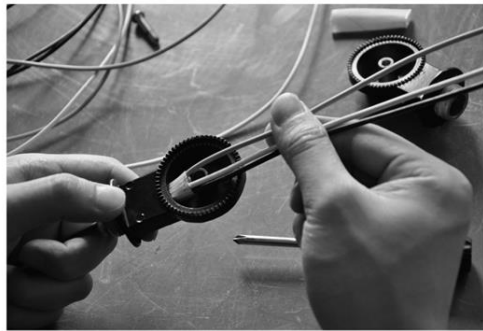
3. Place the lamp holder (3) fixture onto the hex connector (6). Rotate the knuckle (11) to the hex connector (6). Rotate gooseneck (8) to the other end of knuckle (11). Seat other end of gooseneck into the back plate (9). Then rotate set screws (15) in back plate to attach the gooseneck (8) in place. **Note: wrap each of the threads with PTFE thread seal tape (20).**
4. Adjust the shade to the appropriate angle by knuckle, then tightening screw on the knuckle.
5. Attach the ballast black wire to the supply black wire and the ballast white wire to supply white wire, using wire nuts (21) provided.
6. Connect green fixture wire to grounding screw in the junction box.
7. Attach the back plate (9) and gasket (10) to junction box by #8-32 screws (16).
(You can also use tapping screws (17) and wall plugs (18) for attaching.)



Step 1



Step 2



Step 3



Step 4

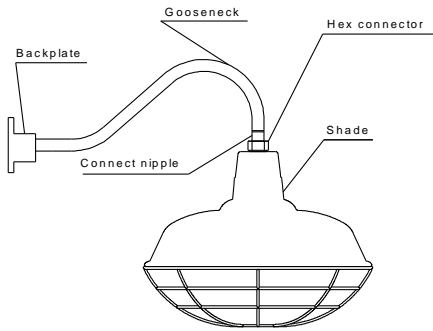


Step 5

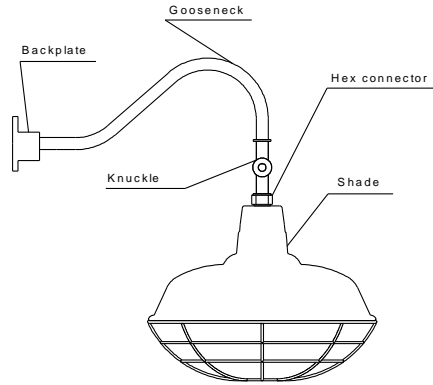
Refer to the mounting sketches on the next page. By choosing different parts, you can create different light assemblies.

Mounting Sketch

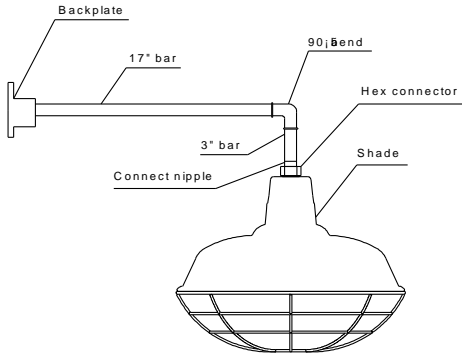
Option 1
Gooseneck Mount



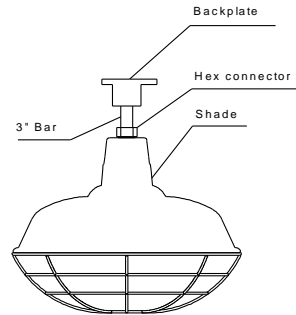
Option 2
Gooseneck with Knuckle Mount



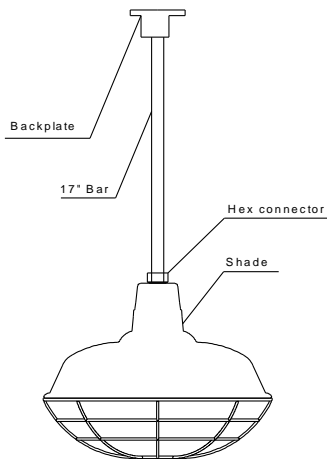
Option 3
17" Bar Wall Mount



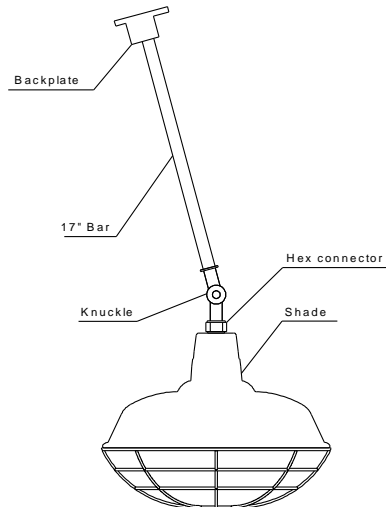
Option 4
Flush Mount



Option 5
Stem Mount



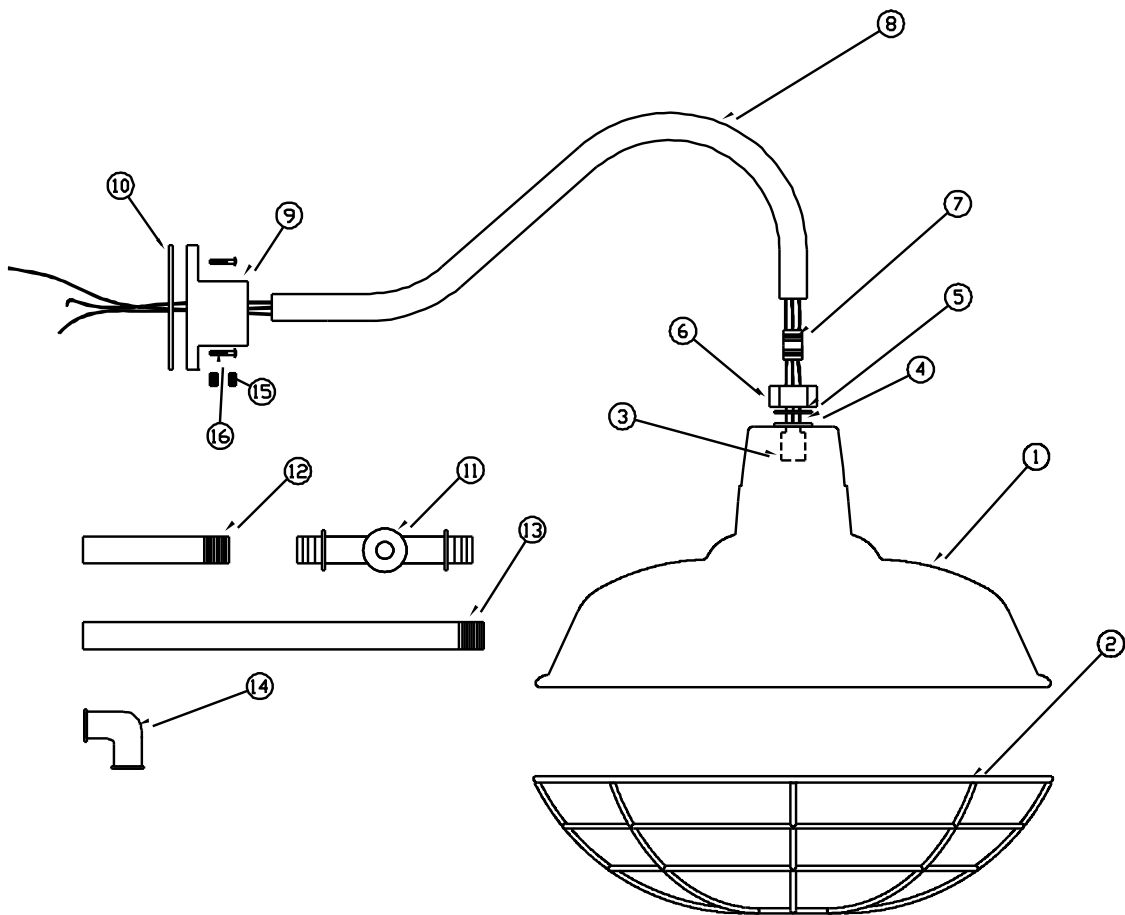
Option 6
Beveled Mount



Maintenance

Maintain your 16" warehouse barn light. It is recommended that the general condition of any light be examined before it is used. Keep your 16" warehouse barn light in good repair by adopting a program of consistent repair and maintenance. Have necessary repairs made by qualified service personnel.

Parts Diagram



Parts List

Part No.	Description	Quantity
1	Shade	1
2	Cage	1
3	Lamp Holder	1
4	Washer	1
5	O-ring	1
6	Hex Connector	1
7	Connect Nipple	1
8	Gooseneck	1
9	Back plate / Mounting Base	1
10	Gasket	1
11	Knuckle	1
12	3in. Bar for Flush Mount	1
13	17in. Bar for Wall Mount	1
14	90°bend	1
15	Set Screw	2
16	#8-32 Screw	2
17	Tapping Screws (not shown)	2
18	Wall Plug (not shown)	2
19	Cotton Varnished Sleeve (not shown)	2
20	PTFE Thread Seal Tape (not shown)	1
21	Wire Nut (not shown)	3
22	Allen Wrench (not shown)	1

Replacement Parts

- For replacement parts and technical questions, please call Customer Service at **1-800-222-5381**.
- Not all product components are available for replacement. The illustrations provided are a convenient reference to the location and position of parts in the assembly sequence.
- When ordering parts, the following information will be required: item description, item model number, item serial number/item lot date code, and the replacement part number.
- The distributor reserves the rights to make design changes and or improvements to product lines and manuals without notice.

Limited Warranty

Northern Tool and Equipment Company, Inc. ("We" or "Us") warrants to the original purchaser only ("You" or "Your") that the Strongway product purchased will be free from material defects in both materials and workmanship, normal wear and tear excepted, for a period of one year from date of purchase. The foregoing warranty is valid only if the installation and use of the product is strictly in accordance with product instructions. There are no other warranties, express or implied, including the warranty of merchantability or fitness for a particular purpose. If the product does not comply with this limited warranty, Your sole and exclusive remedy is that We will, at our sole option and within a commercially reasonable time, either replace the product or product component without charge to You or refund the purchase price (less shipping). This limited warranty is not transferable.

Limitations on the Warranty

This limited warranty does not cover: (a) normal wear and tear; (b) damage through abuse, neglect, misuse, or as a result of any accident or in any other manner; (c) damage from misapplication, overloading, or improper installation; (d) improper maintenance and repair; and (e) product alteration in any manner by anyone other than Us, with the sole exception of alterations made pursuant to product instructions and in a workmanlike manner.

Obligations of Purchaser

You must retain Your product purchase receipt to verify date of purchase and that You are the original purchaser. To make a warranty claim, contact Us at 1-800-222-5381, identify the product by make and model number, and follow the claim instructions that will be provided. The product and the purchase receipt must be provided to Us in order to process Your warranty claim. Any returned product that is replaced or refunded by Us becomes our property. You will be responsible for return shipping costs or costs related to Your return visit to a retail store.

Remedy Limits

Product replacement or a refund of the purchase price is Your sole remedy under this limited warranty or any other warranty related to the product. We shall not be liable for: service or labor charges or damage to Your property incurred in removing or replacing the product; any damages, including, without limitation, damages to tangible personal property or personal injury, related to Your improper use, installation, or maintenance of the product or product component; or any indirect, incidental or consequential damages of any kind for any reason.

Assumption of Risk

You acknowledge and agree that any use of the product for any purpose other than the specified use(s) stated in the product instructions is at Your own risk.

Governing Law

This limited warranty gives You specific legal rights, and You also may have other rights which vary from state to state. Some states do not allow limitations or exclusions on implied warranties or incidental or consequential damages, so the above limitations may not apply to You. This limited warranty is governed by the laws of the State of Minnesota, without regard to rules pertaining to conflicts of law. The state courts located in Dakota County, Minnesota shall have exclusive jurisdiction for any disputes relating to this warranty.



Distributed by:

Northern Tool & Equipment Company, Inc.

Burnsville, Minnesota 55306

www.northerntool.com

Made in China