



1000-lb Hand Winch Truck Crane

Owner's Manual



⚠ WARNING: Read carefully and understand all ASSEMBLY AND OPERATION INSTRUCTIONS before operating. Failure to follow the safety rules and other basic safety precautions may result in serious personal injury.

Item #52514

SAVE THESE INSTRUCTIONS

Thank you very much for choosing an Ultra-Tow™ product!

For future reference, please complete the owner's record below:

Serial Number/Lot Date Code: _____

Purchase Date: _____

Save the receipt, warranty, and this manual. It is important that you read the entire manual to become familiar with this product before you begin using it.

This 1000-lb Hand Winch Truck Crane is designed for certain applications only. Northern Tool & Equipment is not responsible for issues arising from modification or improper use of this product such as an application for which it was not designed. We strongly recommend that this product not be modified and/or used for any application other than that for which it was designed.

For technical questions, please call **1-800-222-5381**.

Table of Contents

Intended Use.....4

Technical Specifications4

Important Safety Information4

Specific Operation Warnings5

Main Parts of Product6

Assembly Instructions.....6

Before Each Use.....8

Operating Instructions.....9

After Each Use.....10

Maintenance10

Troubleshooting.....11

Parts Diagram11

Parts List12

Replacement Parts12

Limited Warranty13

Intended Use

The Ultra-Tow 1000-lb Hand Winch Truck Crane can easily lift loads onto the bed of your pickup. The crank-operated cable winch provides extra reach. The base swivels to easily access all sides of your truck or trailer bed. The crane folds away when not in use. This heavy-duty pickup truck crane is built for professional use.

Technical Specifications

| Property | Specification |
|---------------------|----------------|
| Boom extended range | 33" to 53 1/2" |
| Cable length | 16 feet |
| Lift range | 37 4/5" to 84" |
| Crane swivel | 360 degrees |

Important Safety Information

⚠️WARNING

- Read and understand all instructions. Failure to follow all instructions may result in serious injury or property damage.
- The warnings, cautions, and instructions in this manual cannot cover all possible conditions or situations that could occur. Exercise common sense and caution when using this crane. Always be aware of the environment and ensure that the tool is used in a safe and responsible manner.
- Do not allow persons to operate or assemble the crane until they have read this manual and have developed a thorough understanding of how it works.
- Do not modify this crane in any way. Unauthorized modification may impair the function and/or safety and could affect the life of the crane. There are specific applications for which the crane was designed.
- Use the right tool for the job. DO NOT attempt to force small equipment to do the work of larger industrial equipment. There are certain applications for which this equipment was designed. It will be safer and do a better job at the capacity for which it was intended. DO NOT use this crane for a purpose for which it was not intended.
- Industrial or commercial applications must follow OSHA requirements.

⚠️WARNING

WORK AREA SAFETY

- Inspect the work area before each use. Keep work area clean, dry, free of clutter, and well-lit. Cluttered, wet, or dark work areas can result in injury. Using the crane in confined work areas may put you dangerously close to other cutting tools and rotating parts.
- Keep children and bystanders away from the work area while operating the crane. Do not allow children to handle the crane.

⚠WARNING

PERSONAL SAFETY

- Stay alert, watch what you are doing, and use common sense when operating the crane. Do not use the crane while you are tired or under the influence of drugs, alcohol, or medication. A moment of inattention while operating the tool may result in serious personal injury.
- Dress properly. Do not wear loose clothing, dangling objects, or jewelry. Keep your hair, clothing and gloves away from moving parts. Loose clothes, jewelry, or long hair can be caught in moving parts. Air vents on the tool often cover moving parts and should be avoided.
- Wear the proper personal protective equipment when necessary. Use ANSI Z87.1 compliant safety goggles (not safety glasses) with side shields, or when needed, a face shield. Use a dust mask in dusty work conditions. Also use non-skid safety shoes, hardhat, gloves, dust collection systems, and hearing protection when appropriate. This applies to all persons in the work area.
- Do not overreach. Keep proper footing and balance at all times.
- Secure the work with clamps or a vise instead of your hand when practical. This safety precaution allows for proper tool operation using both hands.

⚠CAUTION

CRANE USE AND CARE

- Do not force the crane. Products do a better job and are safer when used in the manner for which they are designed. Plan your work, and use the correct product for the job.
- Check for damaged parts before each use. Carefully check that the crane will operate properly and perform its intended function. Replace damaged or worn parts immediately. Never operate the crane with a damaged part.
- Store the crane when it is not in use. Store it in a dry, secure place out of the reach of children. Inspect the tool for good working condition prior to storage and before re-use.
- Use only accessories that are recommended by the manufacturer for use with your crane. Accessories that may be suitable for one product may create a risk of injury when used with another tool. Never use an accessory that has a lower operating speed or operating pressure than the tool itself.

Specific Operation Warnings

⚠WARNING

- Attach to the frame of the truck bed according to the manual instructions only. Verify that the installation surface has no hidden components or brake lines before drilling or driving screws.
- Engage the parking brake before use. Do not move the vehicle with a load attached to the crane.
- Do not exceed the rated load capacity.
- Use only slings or chains with a rated capacity greater than the weight of the load being lifted.
- Keep load steady. Do not allow the load to swing or drop violently while lowering or moving.
- Keep persons and property clear from under the load.
- Do not transport people or animals.
- Operate on a hard level surface.

- Always wear the proper personal protective gear such as gloves and steel toed boots.
- No alteration shall be made to this product. Do not adjust the safety valve.
- Not for use by or around children.

Main Parts of Product

| Reference | Subassembly |
|-----------|---------------|
| 1 | Base |
| 2 | Boom |
| 3 | Boom Extended |
| 4 | Winch |
| 5 | Jack |

Assembly Instructions

⚠WARNING

Once assembly is complete, tighten all bolts before initial the operation.

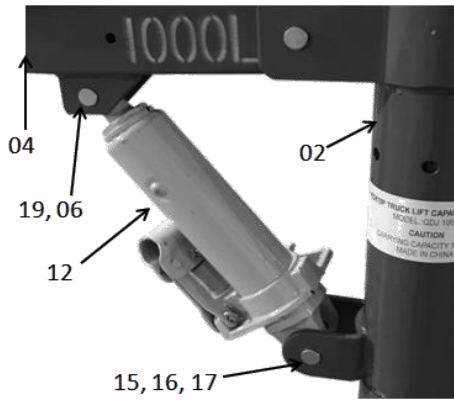
- Mount the base (01) to the truck bed or anywhere you'd like to mount it.
- Assemble the post (02) to the base (01).



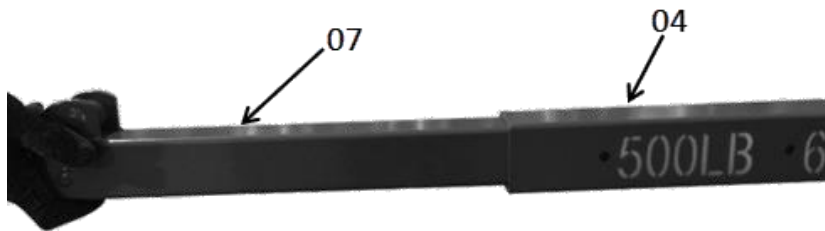
- Attach the boom retracted (04) to the post (02).



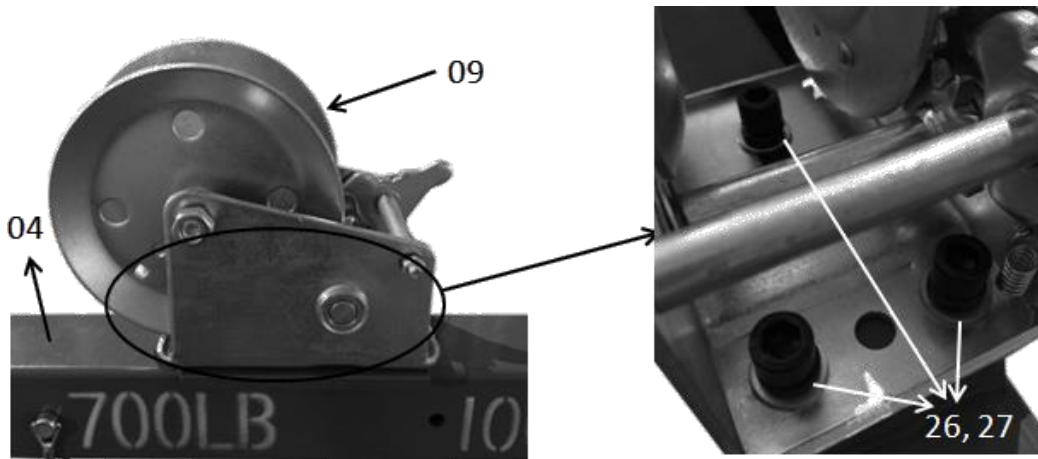
- Connect the long ram jack (12) with the boom retracted (04) to the post (02).



- Insert the boom extension to the boom retracted.



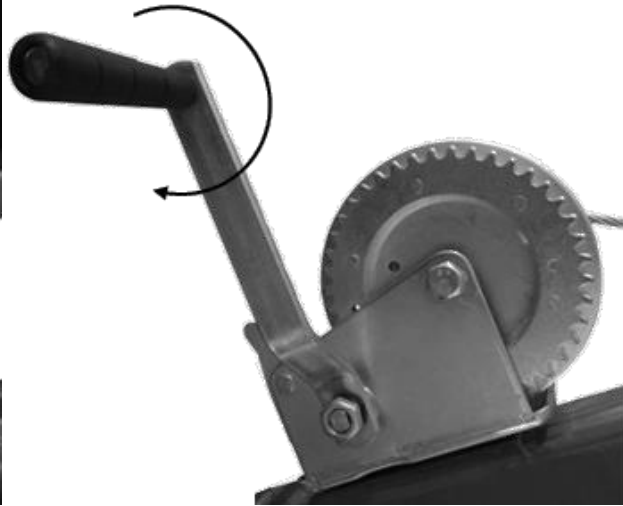
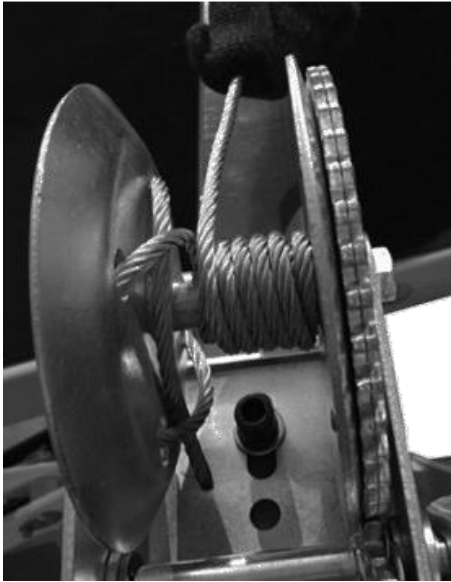
- Take off the cable from the winch then mount the winch (09) onto the boom retracted (04).



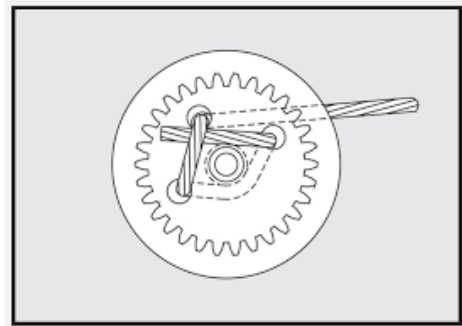
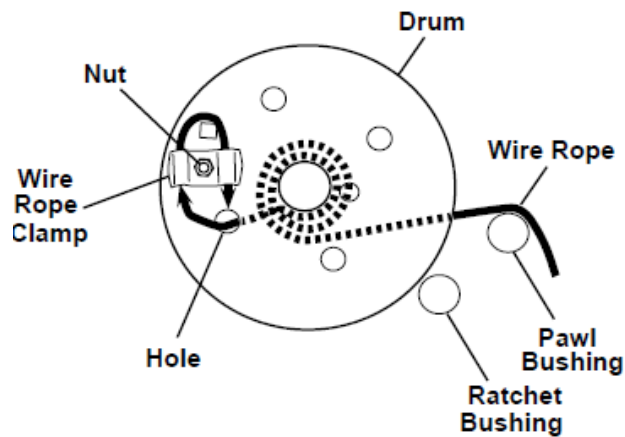
- Cross the cable from the downside hole of the boom extension and to the upside hole.



- Connect the cable to the winch and use the winch handle to wrap the cable onto the winch.



How to install the cable on the hand winch:



Before Each Use

⚠WARNING

Do not use damaged equipment. If an abnormal noise or vibration occurs, have the problem corrected before further use.

Inspect the general condition of the tool. Check for:

- Loose hardware
- Misalignment or binding of moving parts
- Cracked or broken parts
- Proper ram operation
- Frayed, kinked or damaged cable
- Any other condition that may affect its safe operation

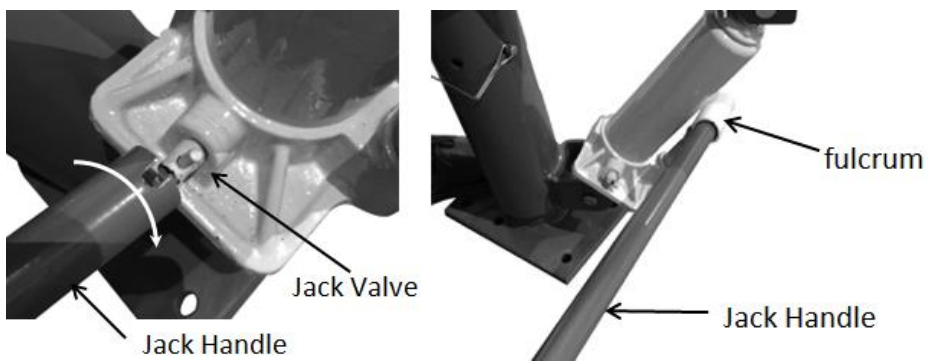
Operating Instructions

⚠WARNING

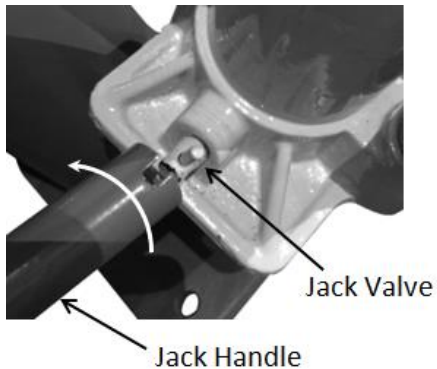
- Do not lift more than the rated capacity.
- Be aware of dynamic loading. Sudden loading movement may briefly create an excess load causing crane failure and serious bodily injury.
- Engage the parking brake before use. Do not move the vehicle with a load attached to the crane.
- Do not attempt to extend or retract the boom while load is attached.

Use the Crane to Lift

1. To lift the crane, use the jack handle (21) to lock the jam valve, then put the handle into the fulcrum and lift the jam.

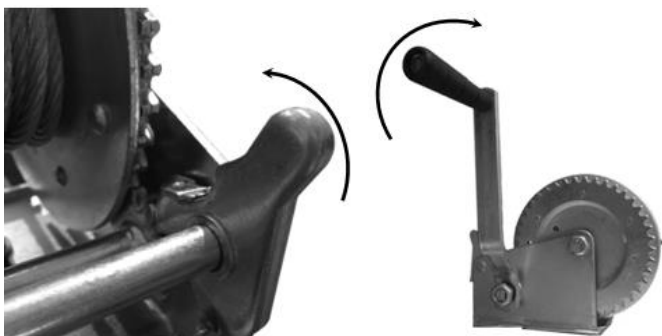


2. To lower the crane, use the jack handle (21) to release the jam valve.



Use Winch to Lift

1. To wind the cable, push the lock pin to lock the winch and rotate the winch handle clockwise.



2. To pull out all of the cable, unlock the winch.



After Each Use

⚠️ WARNING

Keep the crane away from children.

- Before driving the vehicle, retract the winch cable completely, position the boom over the truck's wheel well, and insert the post pin to prevent the boom from swiveling.

Maintenance

- It is recommended that the general condition of any tool be examined before it is used. Keep your crane in good repair by adopting a program of conscientious repair and maintenance in accordance with the recommended procedures found in this manual. If any abnormal vibrations or noise occurs, stop using the crane immediately and have the problem corrected before further use. Have necessary repairs made by qualified service personnel.
- Use only soap and a damp cloth to clean your tools. Many household cleaners are harmful to plastics and other insulation. Never allow liquid to get inside of a tool.
- When servicing, use only identical replacement parts. Use of any other parts will void the warranty. Only use accessories intended for use with this crane.
- To add oil, fully collapse the jack and add oil to move the oil level to the oil plug. Use only hydraulic jack oil.
- Lubricate the grease fitting with a grease gun once a month, or when the boom becomes difficult to switch on the post.
- If the crane will be exposed to wet conditions, more frequent lubrication may be necessary to prevent build-up of rust.

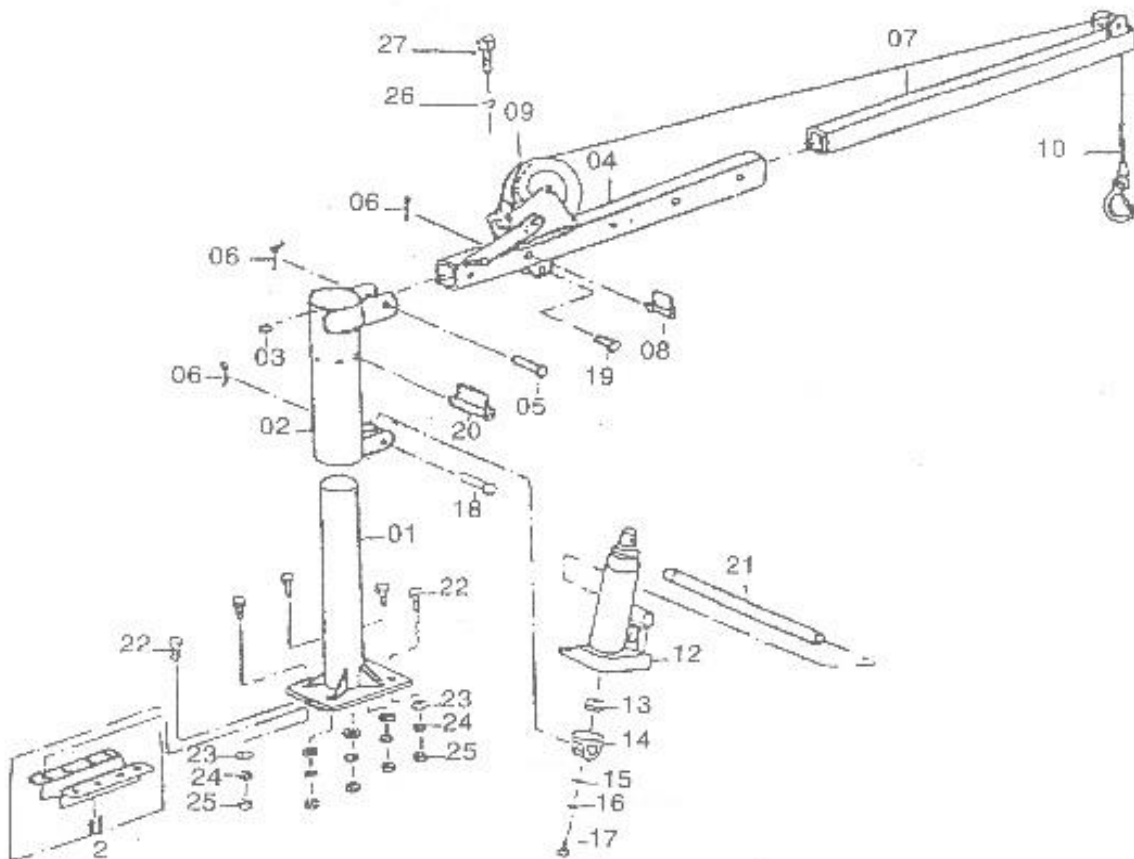
| Maintenance Interval | Maintenance Point |
|---|---|
| Daily before operating: | Check the fuel level. Check the hardware. Check for broken parts. |
| Every month or if the boom becomes difficult to swivel on the post: | Lubricate the grease fitting with a grease gun. |
| After a year of operation: | Change the lubrication oil. |

Troubleshooting

Use the table below to troubleshoot problems before contacting service personnel or your local dealer. If the problem continues after troubleshooting, call your local dealer for assistance.

| Failure | Possible Cause | Corrective Action |
|---|---------------------------|---|
| Ram will not lift at its weight capacity. Hook lowers under load. | Air bleeding of the jack. | Fully close the release valve. |
| Hook will not lift all the way. | Low on oil. | Check the oil level and refill if needed. |
| Oil leaking from fill plug. | Too much oil | Check the fluid level and adjust if needed. |

Parts Diagram



Parts List

| Part# | Description | Qty | Part# | Description | Qty |
|-------|----------------------|-----|-------|-----------------------|-----|
| 01 | Base | 1 | 15 | Washer | 1 |
| 02 | Post | 1 | 16 | Spring Washer | 1 |
| 03 | Grease Fitting | 1 | 17 | Bolt M8x12 | 1 |
| 04 | Boom Retracted | 1 | 18 | Pin 12x78 | 1 |
| 05 | Pin 12x84 | 1 | 19 | Pin 12x78 | 1 |
| 06 | Cotter Pin | 3 | 20 | Lock Pin | 1 |
| 07 | Boom Extension | 1 | 21 | Jack Handle | 1 |
| 08 | Pin, Boom Extendible | 1 | 22 | Bolt M12x50 | 5 |
| 09 | Winch | 1 | 23 | Washer | 5 |
| 10 | Hook and Steel Cable | 1 | 24 | Spring Washer | 5 |
| 11 | Angie Steel | 2 | 25 | Nut M12 | 5 |
| 12 | Long Ram Jack | 1 | 26 | Split Lock Washer | 3 |
| 13 | Bearing | 1 | 27 | Socket Head Cap Screw | 3 |
| 14 | Jack Support | 1 | | | |

Replacement Parts

- For replacement parts and technical questions, please call Customer Service at **1-800-222-5381**.
- Not all product components are available for replacement. The illustrations provided are a convenient reference to the location and position of parts in the assembly sequence.
- When ordering parts, the following information will be required: item description, item model number, item serial number/item lot date code, and the replacement part reference number.
- The distributor reserves the rights to make design changes and or improvements to product lines and manuals without notice.

Limited Warranty

Northern Tool and Equipment Company, Inc. ("We" or "Us") warrants to the original purchaser only ("You" or "Your") that the Ultra-Tow product purchased will be free from material defects in both materials and workmanship, normal wear and tear excepted, for a period of one year from date of purchase. The foregoing warranty is valid only if the installation and use of the product is strictly in accordance with product instructions. There are no other warranties, express or implied, including the warranty of merchantability or fitness for a particular purpose. If the product does not comply with this limited warranty, Your sole and exclusive remedy is that We will, at our sole option and within a commercially reasonable time, either replace the product or product component without charge to You or refund the purchase price (less shipping). This limited warranty is not transferable.

Limitations on the Warranty

This limited warranty does not cover: (a) normal wear and tear; (b) damage through abuse, neglect, misuse, or as a result of any accident or in any other manner; (c) damage from misapplication, overloading, or improper installation; (d) improper maintenance and repair; and (e) product alteration in any manner by anyone other than Us, with the sole exception of alterations made pursuant to product instructions and in a workmanlike manner.

Obligations of Purchaser

You must retain Your product purchase receipt to verify date of purchase and that You are the original purchaser. To make a warranty claim, contact Us at 1-800-222-5381, identify the product by make and model number, and follow the claim instructions that will be provided. The product and the purchase receipt must be provided to Us in order to process Your warranty claim. Any returned product that is replaced or refunded by Us becomes our property. You will be responsible for return shipping costs or costs related to Your return visit to a retail store.

Remedy Limits

Product replacement or a refund of the purchase price is Your sole remedy under this limited warranty or any other warranty related to the product. We shall not be liable for: service or labor charges or damage to Your property incurred in removing or replacing the product; any damages, including, without limitation, damages to tangible personal property or personal injury, related to Your improper use, installation, or maintenance of the product or product component; or any indirect, incidental or consequential damages of any kind for any reason.

Assumption of Risk

You acknowledge and agree that any use of the product for any purpose other than the specified use(s) stated in the product instructions is at Your own risk.

Governing Law

This limited warranty gives You specific legal rights, and You also may have other rights which vary from state to state. Some states do not allow limitations or exclusions on implied warranties or incidental or consequential damages, so the above limitations may not apply to You. This limited warranty is governed by the laws of the State of Minnesota, without regard to rules pertaining to conflicts of law. The state courts located in Dakota County, Minnesota shall have exclusive jurisdiction for any disputes relating to this warranty.

ULTRA-TOW[™]

Distributed by:

Northern Tool & Equipment Company, Inc.

Burnsville, Minnesota 55306

www.northerntool.com

Made in China