



12 Volt Portable Inflator

Owner's Manual



⚠ WARNING: Read carefully and understand all ASSEMBLY AND OPERATION INSTRUCTIONS before operating. Failure to follow the safety rules and other basic safety precautions may result in serious personal injury.

Item #52505

SAVE THESE INSTRUCTIONS

Thank you very much for choosing an Ironton® product!

For future reference, please complete the owner's record below:

Serial Number/Lot Date Code: _____

Purchase Date: _____

Save the receipt, warranty, and this manual. It is important that you read the entire manual to become familiar with this product before you begin using it.

This portable inflator is designed for certain applications only. Northern Tool & Equipment is not responsible for issues arising from modification or improper use of this product such as an application for which it was not designed. We strongly recommend that this product not be modified and/or used for any application other than that for which it was designed.

For technical questions, please call **1-800-222-5381**.

Table of Contents

Intended Use.....4

Technical Specifications4

Important Safety Information4

Specific Operation Warnings6

Before Each Use.....6

Operating Instructions.....6

After Each Use.....7

Troubleshooting.....7

Parts Diagram8

Parts List9

Replacement Parts9

Limited Warranty.....10

Intended Use

Ironton's Portable 12 Volt Portable Inflator maintains your vehicle's proper tire pressure. The high pressure air hose has a quick-connect locking valve cap.

Technical Specifications

Property	Specification
Motor	12V
Max power	10A
Maximum working pressure	300 PSI
Recommended on/off cycle time	12/10 Min
Maximum recommended continuous operating time	12 MIN

Important Safety Information

⚠️WARNING

- Read and understand all instructions. Failure to follow all instructions may result in serious injury or property damage.
- The warnings, cautions, and instructions in this manual cannot cover all possible conditions or situations that could occur. Exercise common sense and caution when using this tool. Always be aware of the environment and ensure that the tool is used in a safe and responsible manner.
- Do not allow persons to operate or assemble the product until they have read this manual and have developed a thorough understanding of how it works.
- Do not modify this product in any way. Unauthorized modification may impair the function and/or safety and could affect the life of the product. There are specific applications for which the product was designed.
- Use the right tool for the job. DO NOT attempt to force small equipment to do the work of larger industrial equipment. There are certain applications for which this equipment was designed. This product will be safer and do a better job at the capacity for which it was intended. DO NOT use this equipment for a purpose for which it was not intended.
- Industrial or commercial applications must follow OSHA requirements.

⚠️WARNING

- This product may contain chemicals known to the State of California to cause cancer, birth defects or other reproductive harm.

⚠️WARNING

WORK AREA SAFETY

- Inspect the work area before each use. Keep work area clean, dry, free of clutter, and well lit. Cluttered, wet, or dark work areas can result in injury. Using the product in confined work areas may put you dangerously close to other cutting tools and rotating parts.

- Keep children and bystanders away from the work area while operating the tool. Do not allow children to handle the product.

⚠WARNING

PERSONAL SAFETY

- Stay alert, watch what you are doing, and use common sense when operating the tool. Do not use the tool while you are tired or under the influence of drugs, alcohol, or medication. A moment of inattention while operating the tool may result in serious personal injury.
- Dress properly. Do not wear loose clothing, dangling objects, or jewelry. Keep your hair, clothing and gloves away from moving parts. Loose clothes, jewelry, or long hair can be caught in moving parts. Air vents on the tool often cover moving parts and should be avoided.
- Wear the proper personal protective equipment when necessary. Use ANSI Z87.1 compliant safety goggles (not safety glasses) with side shields, or when needed, a face shield. Use a dust mask in dusty work conditions. Also use non-skid safety shoes, hardhat, gloves, dust collection systems, and hearing protection when appropriate. This applies to all persons in the work area.
- Do not overreach. Keep proper footing and balance at all times.

⚠CAUTION

PRODUCT USE AND CARE

- Do not force the product. Products are safer and do a better job when used in the manner for which they are designed. Plan your work, and use the correct product for the job.
- Check for damaged parts before each use. Carefully check that the product will operate properly and perform its intended function. Replace damaged or worn parts immediately. Never operate the product with a damaged part.
- Do not use a product with a malfunctioning switch. Any power tool that cannot be controlled with the power switch is dangerous and must be repaired by an authorized service representative before using.
- Disconnect the power/air supply from the product and place the switch in the locked or off position before making any adjustments, changing accessories, or storing the tool. Such preventive safety measures reduce the risk of starting the tool accidentally.
- Store the product when it is not in use. Store it in a dry, secure place out of the reach of children. Inspect the tool for good working condition prior to storage and before re-use.
- Use only accessories that are recommended by the manufacturer for use with your product. Accessories that may be suitable for one product may create a risk of injury when used with another tool. Never use an accessory that has a lower operating speed or operating pressure than the tool itself.
- Do not leave the tool running unattended.

Specific Operation Warnings

⚠WARNING

- Read and understand owner's manual before use.
- Do not exceed the tire's rated pressure.
- Always wear gloves. Some exposed parts may become hot during use.
- Use extreme caution when connecting the unit to a power source, as batteries can vent explosive gasses.
- Do not use the unit for pumping, compressing, or transferring any gas or liquid other than air. The unit is not designed for the sourcing of breathable air.
- Compressed air and particulate matter can cause eye and soft tissue damage. Keep air stream away from skin and eyes.
- Clean with a damp cloth only. Do not use chemicals or soap.
- Do not modify or attempt to repair the product. There are no serviceable parts inside the unit; do not disassemble.
- The compressor was permanently lubricated during assembly. Do not add oil or any other lubricant.
- Burn hazard. The unit will become hot during use. Use caution when touching the unit.
- Do not operate continuously for more than 10 minutes. If the unit gets hot, switch it off and allow it to cool before continuing operation.
- Use a second tire pressure gauge to verify the tires are inflated to the proper pressure.

Before Each Use

⚠WARNING

If using your car battery to power the unit, Start and run engine in a well-ventilated area.

Operating Instructions

⚠WARNING

- Place the product on a dry, level surface.
- It will become hot during operation. Be careful when removing the metal quick connect host fitting.
- After 12 minutes of continuous operation, allow the unit to cool before restarting. Damage can occur from continued over-use.
- Pay close attention to the pressure gauge. Be prepared to stop the inflator quickly when the recommended inflation pressure is reached.
- Burn hazard. The unit will become hot during use. Use caution when touching the unit.

To Inflate Tires

- 1) Attach the valve adaptor to the inflator's rubber hose and lock.
- 2) Insert the plug power cord into the 12 volt cigarette lighter and start the car engine to save battery charge.
- 3) Regularly check the tire pressure with another tire pressure gauge.
- 4) When the pressure level is correct, stop the engine, unplug the power cord, and remove the inflator valve.

To Inflate Plastic Items

- 1) Place the conical nozzle in the inflator valve.
- 2) Be cautious: small items inflate faster than car tires.

After Each Use

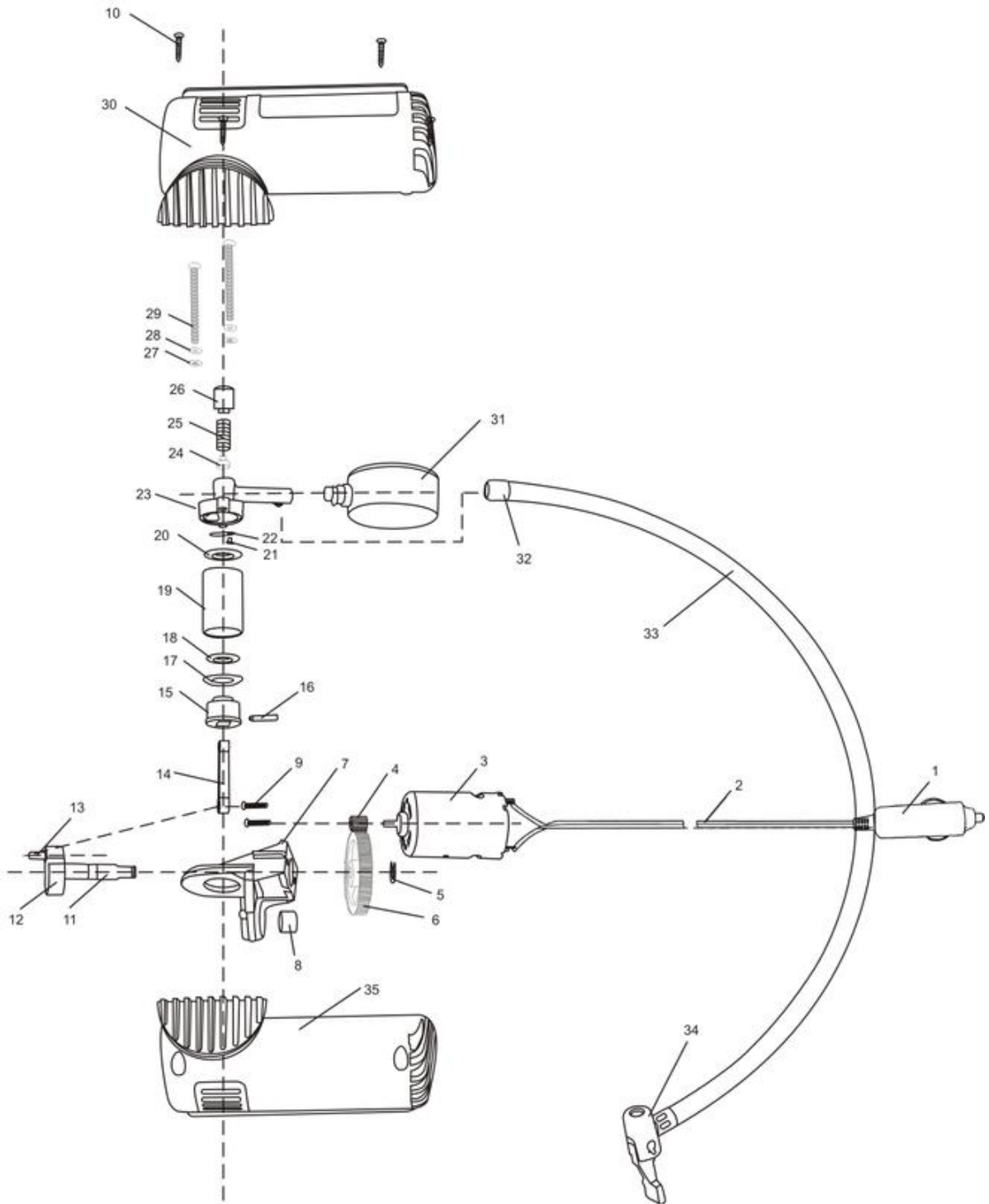
⚠WARNING

- Only hold the unit by the carry handle and allow the unit to cool before storing.
- Store the product in a dry location.

Troubleshooting

Failure	Possible Cause	Corrective Action
Product stops during operation.	Low voltage.	Check the battery condition.
	Protective circuit activates.	Disconnect the power and wait for the product cool down.
Air leaking.	Brass inflator is not fully extended.	Fully extend the brass inflator.

Parts Diagram



Parts List

Part Number	Part Description	Qty	Part Number	Part Description	Qty
1	Cigarette Lighter Plug	1	19	Cylinder Liner	1
2	Cord	1	20	Seal Ring	1
3	Motor	1	21	Rivet	1
4	Small Gear	1	22	Air Intake Slice	1
5	Check Ring	1	23	Cylinder Cover	1
6	Main Gear	1	24	Exhaust Valve Core	1
7	Bracket	1	25	Spring	1
8	Bearing	1	26	Plug Screw	1
9	Screw (3*22)	1	27	Gasket	1
10	Tapping Screw (3*15)	1	28	Spring Gasket	1
11	Main Bearing	1	29	Screw (4*42)	1
12	Offset Wheel	1	30	Housing	1
13	Small Bearing	1	31	Pressure Gauge	1
14	Connecting Rod	1	32	Locking Ring	1
15	Piston	1	33	Rubber Hose	1
16	Piston Pin	1	34	Air Nozzle	1
17	Piston Ring	1	35	Housing	1
18	Press Ring	1			

Replacement Parts

- For replacement parts and technical questions, please call Customer Service at **1-800-222-5381**.
- Not all product components are available for replacement. The illustrations provided are a convenient reference to the location and position of parts in the assembly sequence.
- When ordering parts, the following information will be required: item description, item model number, item serial number/item lot date code, and the replacement part reference number.
- The distributor reserves the rights to make design changes and improvements to product lines and manuals without notice.

Limited Warranty

Northern Tool and Equipment Company, Inc. ("We" or "Us") warrants to the original purchaser only ("You" or "Your") that the Ironton product purchased will be free from material defects in both materials and workmanship, normal wear and tear excepted, for a period of one year from date of purchase. The foregoing warranty is valid only if the installation and use of the product is strictly in accordance with product instructions. There are no other warranties, express or implied, including the warranty of merchantability or fitness for a particular purpose. If the product does not comply with this limited warranty, Your sole and exclusive remedy is that We will, at our sole option and within a commercially reasonable time, either replace the product or product component without charge to You or refund the purchase price (less shipping). This limited warranty is not transferable.

Limitations on the Warranty

This limited warranty does not cover: (a) normal wear and tear; (b) damage through abuse, neglect, misuse, or as a result of any accident or in any other manner; (c) damage from misapplication, overloading, or improper installation; (d) improper maintenance and repair; and (e) product alteration in any manner by anyone other than Us, with the sole exception of alterations made pursuant to product instructions and in a workmanlike manner.

Obligations of Purchaser

You must retain Your product purchase receipt to verify date of purchase and that You are the original purchaser. To make a warranty claim, contact Us at 1-800-222-5381, identify the product by make and model number, and follow the claim instructions that will be provided. The product and the purchase receipt must be provided to Us in order to process Your warranty claim. Any returned product that is replaced or refunded by Us becomes our property. You will be responsible for return shipping costs or costs related to Your return visit to a retail store.

Remedy Limits

Product replacement or a refund of the purchase price is Your sole remedy under this limited warranty or any other warranty related to the product. We shall not be liable for: service or labor charges or damage to Your property incurred in removing or replacing the product; any damages, including, without limitation, damages to tangible personal property or personal injury, related to Your improper use, installation, or maintenance of the product or product component; or any indirect, incidental or consequential damages of any kind for any reason.

Assumption of Risk

You acknowledge and agree that any use of the product for any purpose other than the specified use(s) stated in the product instructions is at Your own risk.

Governing Law

This limited warranty gives You specific legal rights, and You also may have other rights which vary from state to state. Some states do not allow limitations or exclusions on implied warranties or incidental or consequential damages, so the above limitations may not apply to You. This limited warranty is governed by the laws of the State of Minnesota, without regard to rules pertaining to conflicts of law. The state courts located in Dakota County, Minnesota shall have exclusive jurisdiction for any disputes relating to this warranty.



Distributed by:
Northern Tool & Equipment Company, Inc.
Burnsville, Minnesota 55306
www.northerntool.com

Made in China