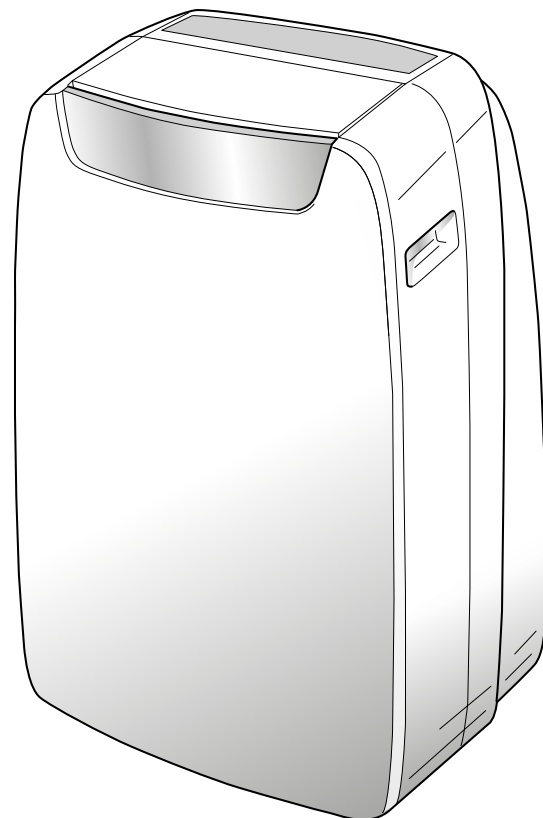


DOLCECLIMA AIR PRO

14HP Model #2149



INSTRUCTION FOR USE AND MAINTENANCE **EN**

INSTRUCCIONES PARA EL USO Y EL MANTENIMIENTO **ES**

ISTRUZIONI PER USO E MANUTENZIONE **IT**



 **OLIMPIA
SPLENDID**
HOME OF COMFORT

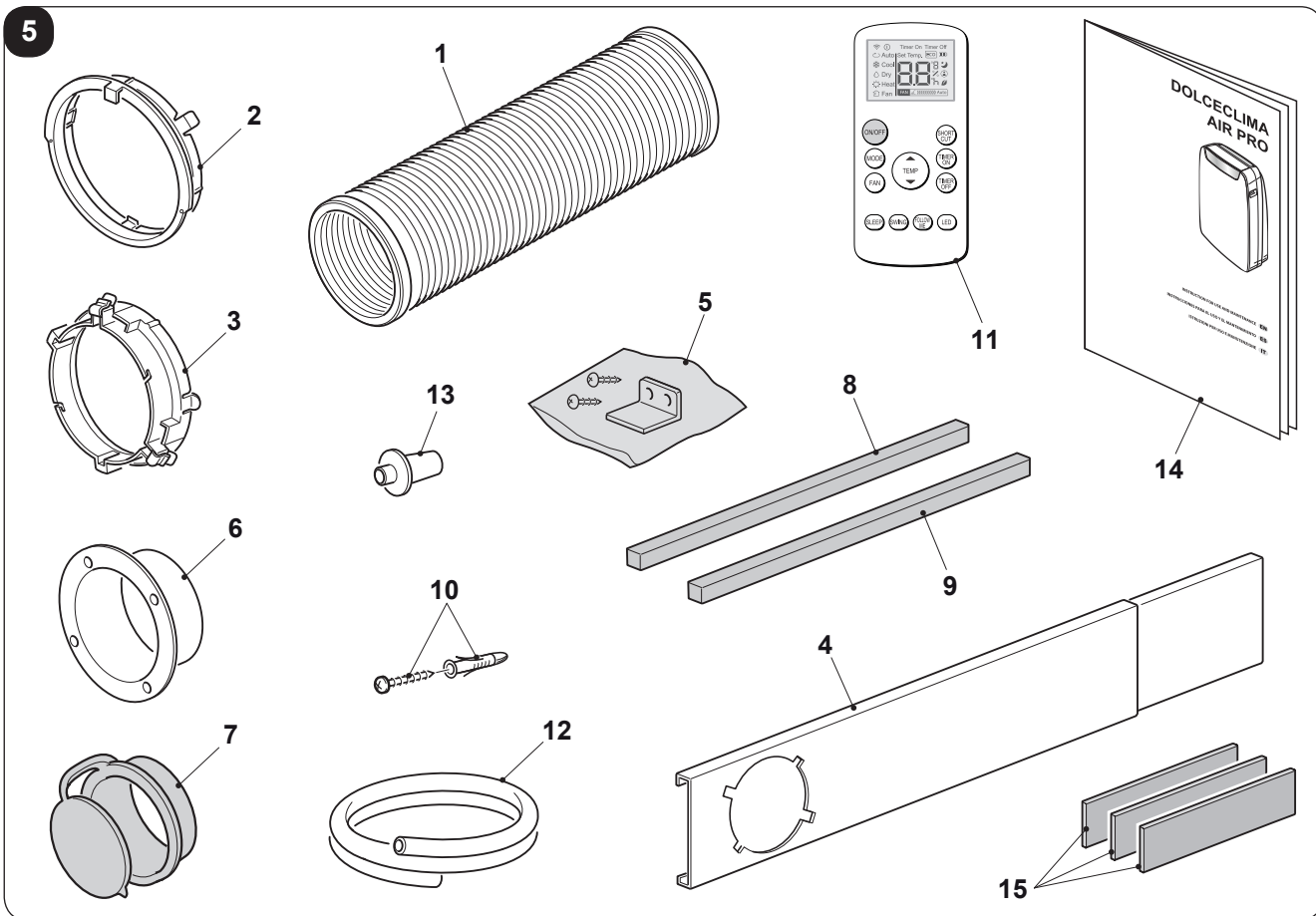
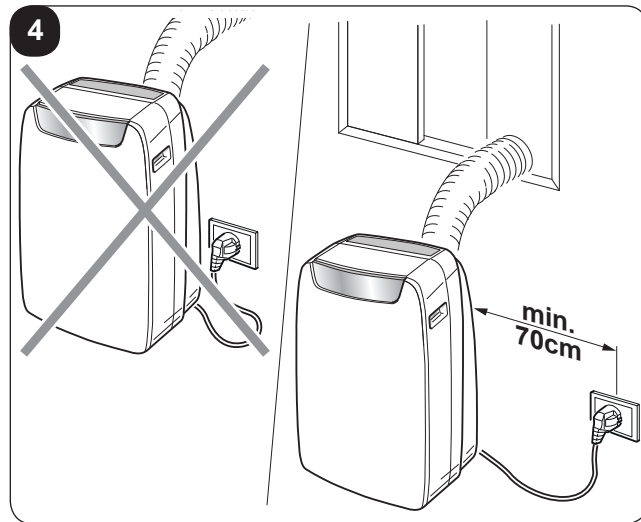
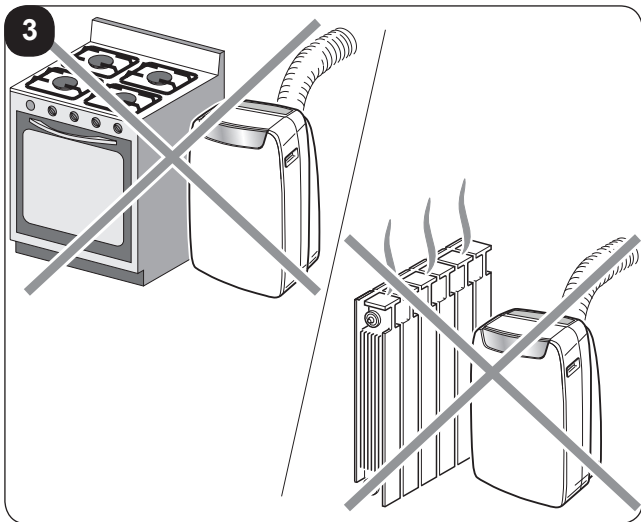
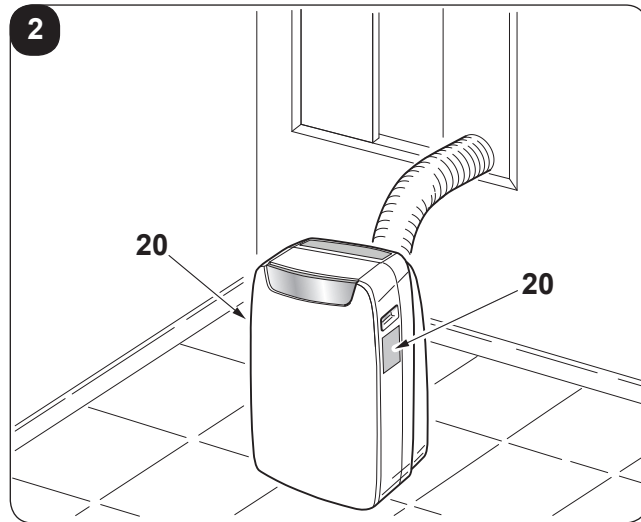
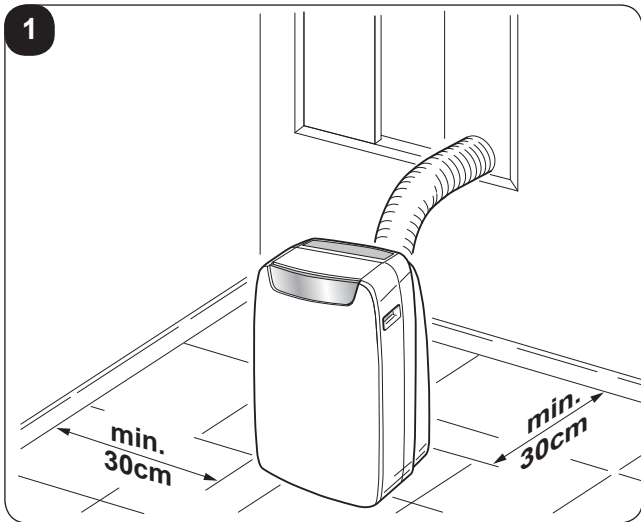
WARNINGS

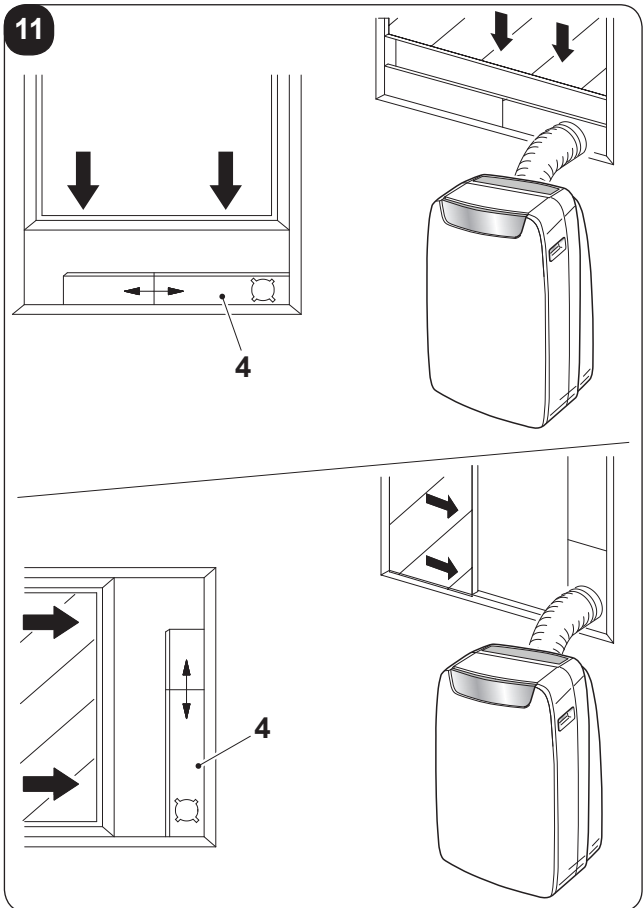
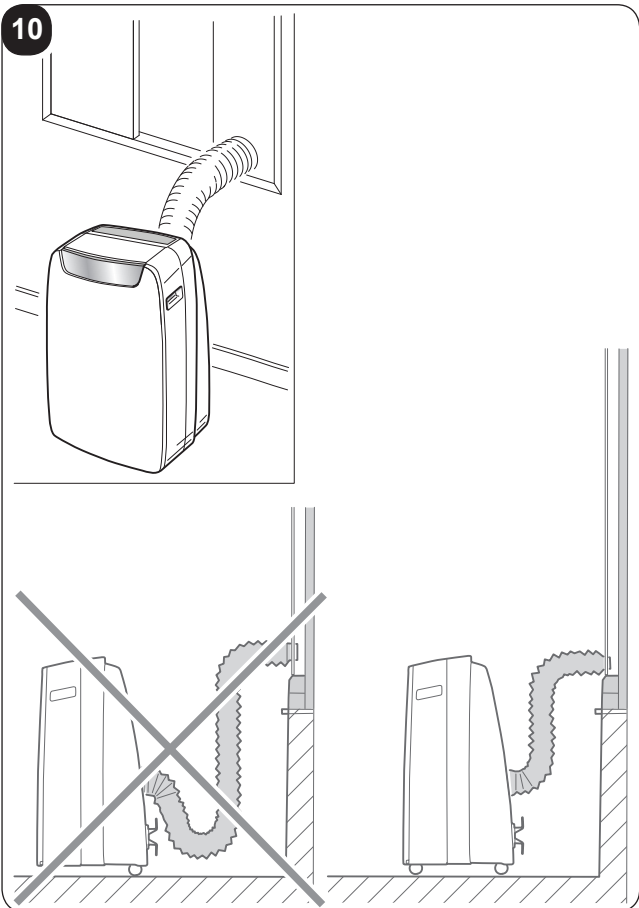
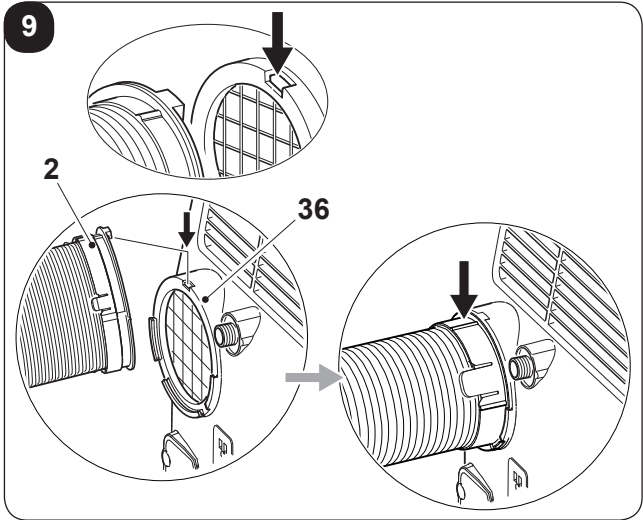
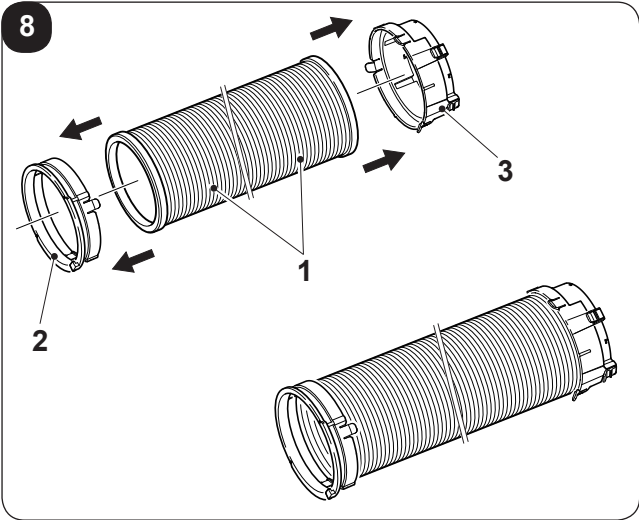
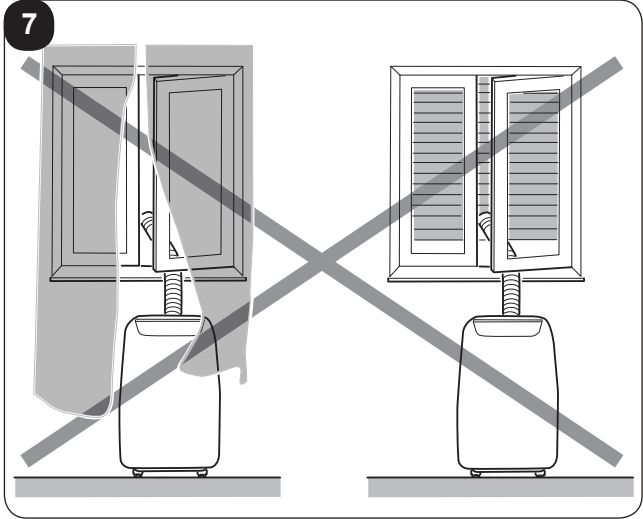
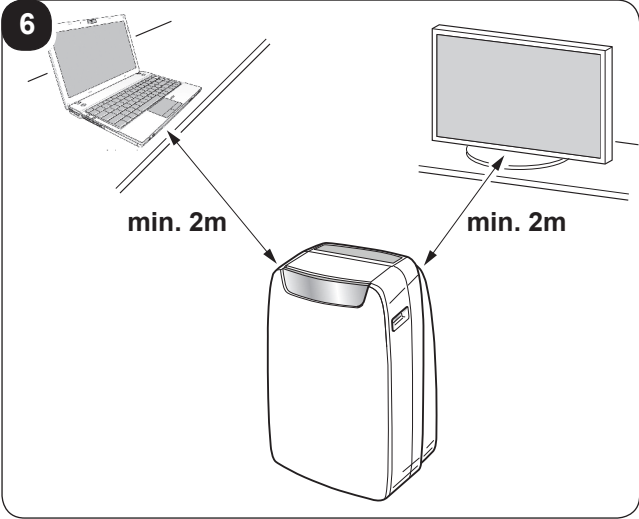
1. The appliance contains R32 gas.
2. This appliance can be used by children aged from 8 years and above and person with reduced physical, sensory or mental capabilities or lack of experience and knowledge if they have been given supervision or instruction concerning use of the appliance in a safe way and understand the hazards involved. Children shall not play with the appliance. Cleaning and user maintenance shall not be made by children without supervision. (be applicable for the European Countries).
3. This appliance is not intended for use by persons (including children) with reduced physical, sensory or mental capabilities or lack of experience and knowledge, unless they have been given supervision or instruction concerning use of the appliance by a person responsible for their safety. (be applicable for other countries except the European Countries).
4. If the power cable is damaged, it must be replaced by the manufacturer or by its technical support service or by similarly qualified personnel, to prevent any risk to the user.
5. To prevent any electrocution risk, it is essential to disconnect the plug from the power socket before performing any maintenance operation on the appliance.
6. For the correct operation of the appliance, observe the minimum distances and the indications written in this manual (see figure 1).
7. For the correct electrical connection of the appliance, follow the indications in paragraph 2.5.

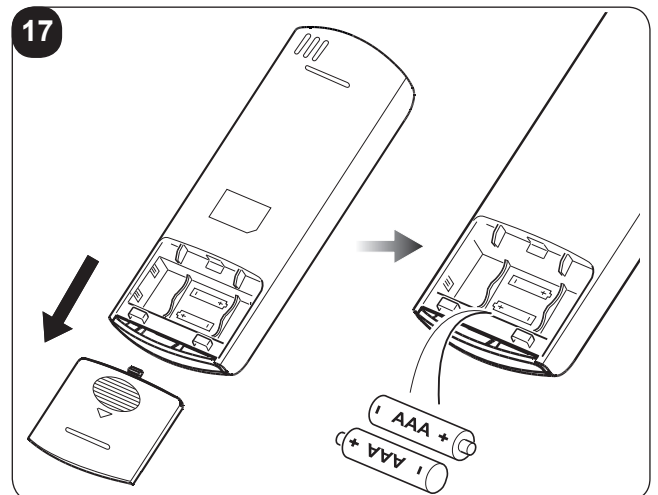
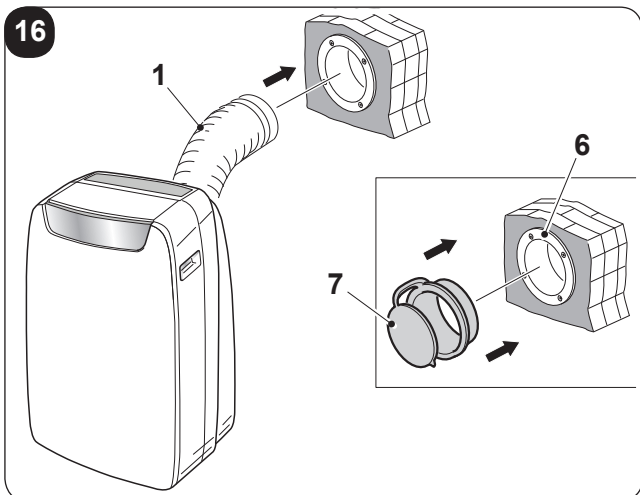
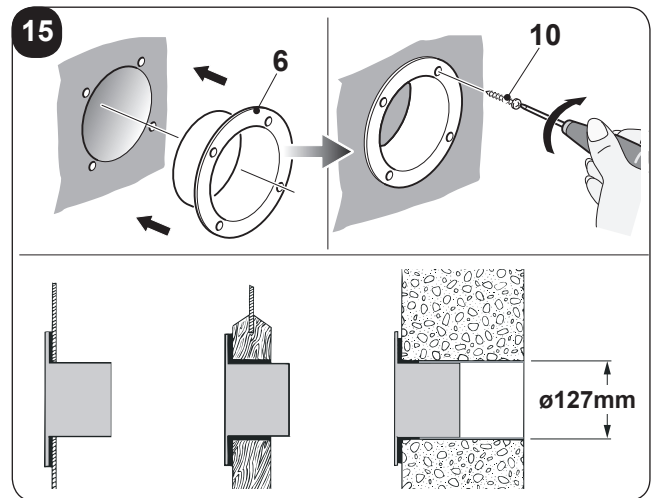
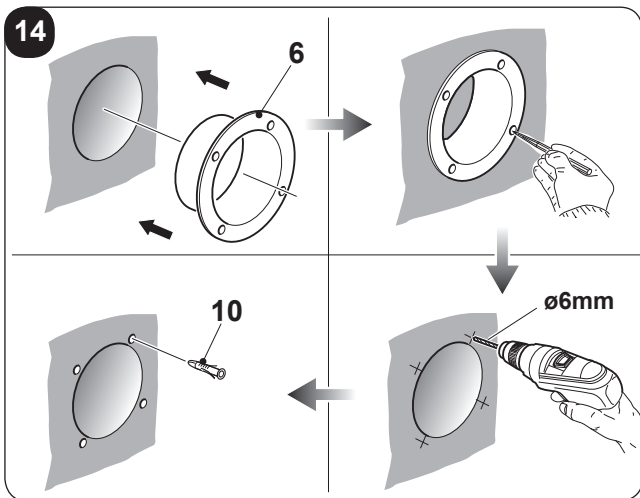
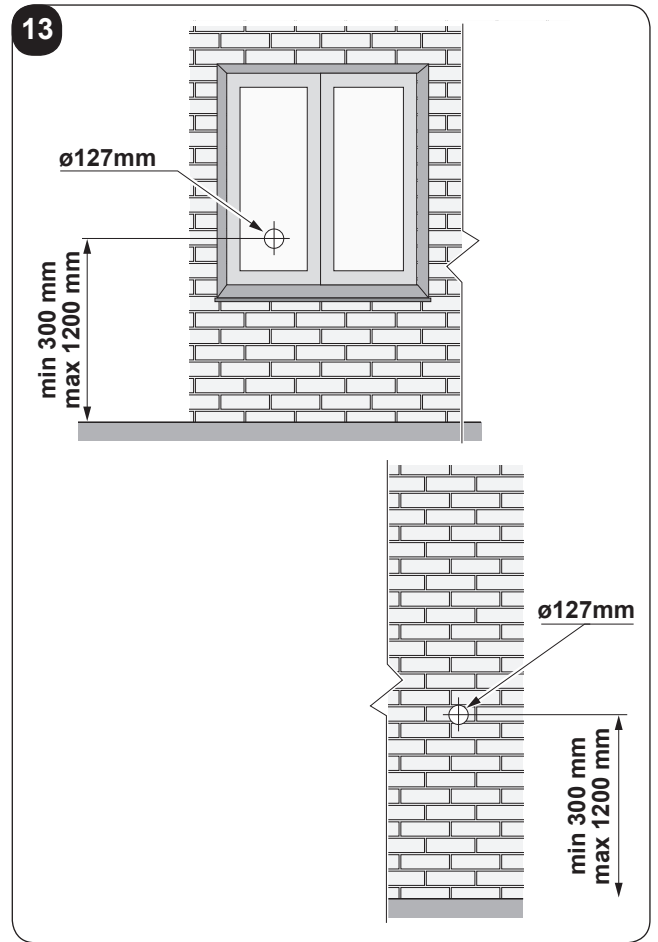
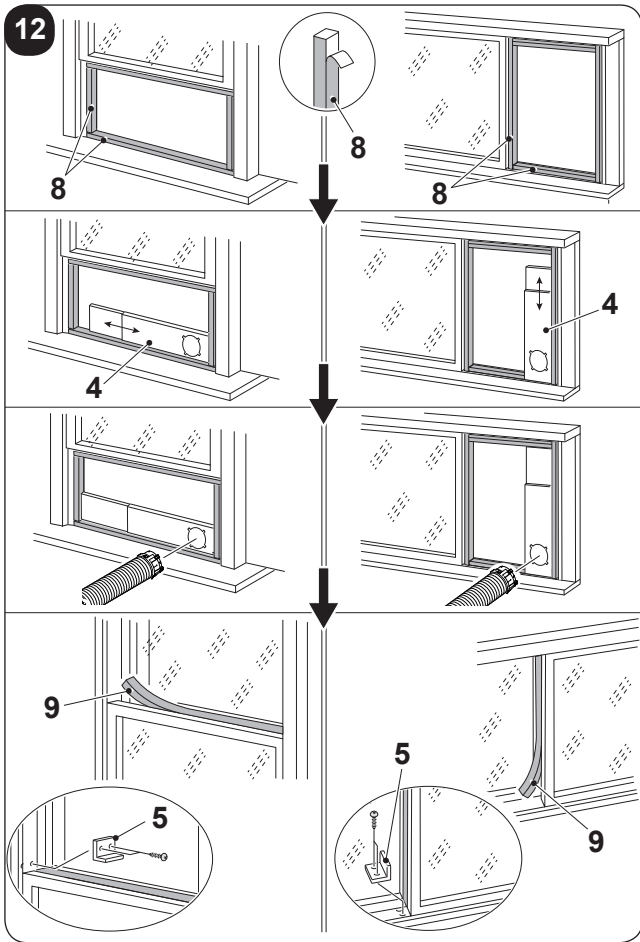
ADVERTENCIAS

1. El aparato contiene gas R32.
2. El aparato puede utilizarse por niños con una edad no inferior a los 8 años y por personas con reducidas capacidades físicas, sensoriales o mentales, o sin experiencia ni el necesario conocimiento, siempre y cuando bajo supervisión o después de que las mismas hayan recibido instrucciones relativas al uso seguro del aparato y a la comprensión de los peligros inherentes. Los niños no deben jugar con el aparato. La limpieza y el mantenimiento que deben efectuarse por el usuario no deben efectuarse por niños sin supervisión (aplicable para los países de la Unión Europea).
3. El aparato puede utilizarse por personas (incluso niños) con reducidas capacidades físicas, sensoriales o mentales, o sin experiencia ni el necesario conocimiento, siempre y cuando bajo supervisión o después de que las mismas hayan recibido instrucciones relativas al uso seguro del aparato por una persona responsable de su seguridad (sólo aplicable para los países fuera de la Unión Europea).
4. En caso de deterioro del cable de alimentación, debe ser sustituido por el fabricante, por el servicio de asistencia técnica o por una persona con cualificación similar, para prevenir cualquier riesgo.
5. Para prevenir cualquier riesgo de electrocución, es indispensable desconectar el enchufe de la toma de corriente antes de que se efectúe cualquiera operación de mantenimiento en el aparato.
6. Para el correcto funcionamiento del aparato, respete las distancias mínimas y las indicaciones indicadas en este manual (vea figura 1).
7. Para la correcta conexión eléctrica del aparato, siga las indicaciones en el párrafo 2.5.

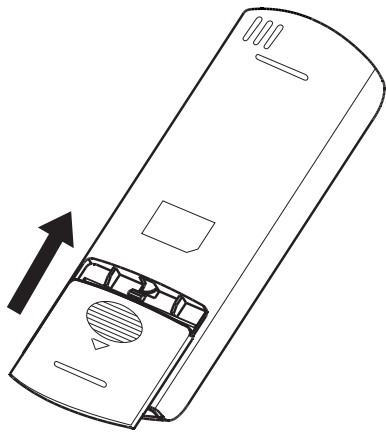
1. L'apparecchio contiene gas R32.
2. L'apparecchio può essere utilizzato da bambini di età non inferiore a 8 anni e da persone con ridotte capacità fisiche, sensoriali o mentali, o prive di esperienza o della necessaria conoscenza, purché sotto sorveglianza oppure dopo che le stesse abbiano ricevuto istruzioni relative all'uso sicuro dell'apparecchio e alla comprensione dei pericoli ad esso inerenti. I bambini non devono giocare con l'apparecchio. La pulizia e la manutenzione destinata ad essere effettuata dall'utilizzatore non deve essere effettuata da bambini senza sorveglianza (applicabile per i paesi dell'Unione Europea).
3. L'apparecchio può essere utilizzato da persone (inclusi i bambini) con ridotte capacità fisiche, sensoriali o mentali, o prive di esperienza o della necessaria conoscenza, purché sotto sorveglianza oppure dopo che le stesse abbiano ricevuto istruzioni relative all'uso sicuro dell'apparecchio da una persona responsabile per la loro sicurezza (applicabile solo per i paesi fuori dall'Unione Europea).
4. Se il cavo di alimentazione è danneggiato, esso deve essere sostituito dal costruttore o dal suo servizio assistenza tecnica o comunque da una persona con qualifica simile, in modo da prevenire ogni rischio.
5. Per prevenire ogni rischio di folgorazione è indispensabile scollegare la spina dalla presa di corrente prima di effettuare ogni operazione di manutenzione sull'apparecchio.
6. Per il corretto funzionamento dell'apparecchio, rispettare le distanze minime e le indicazioni riportate nel presente manuale (vedere figura 1)
7. Per il corretto collegamento elettrico dell'apparecchio, seguire le indicazioni riportate nel paragrafo 2.5.



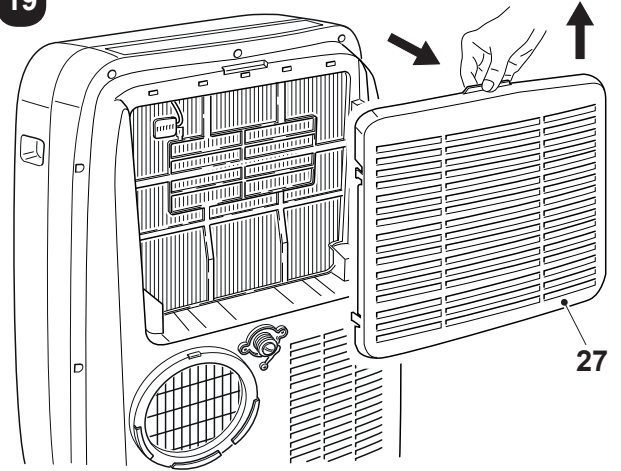




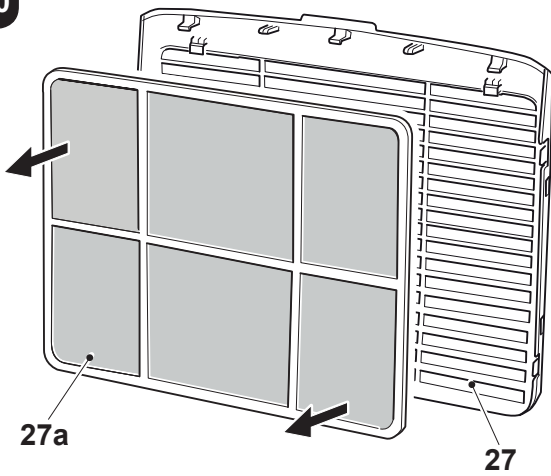
18



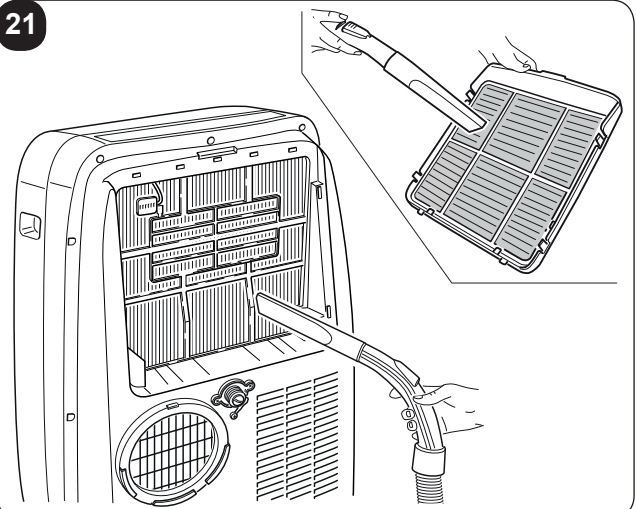
19



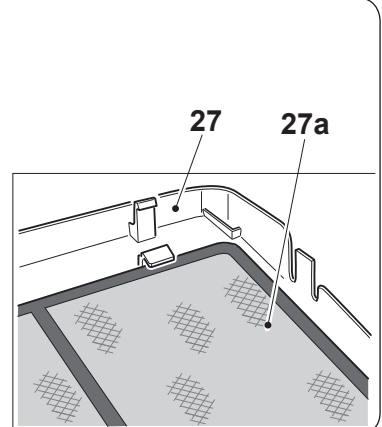
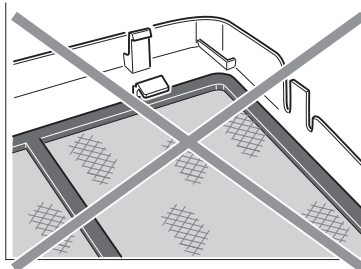
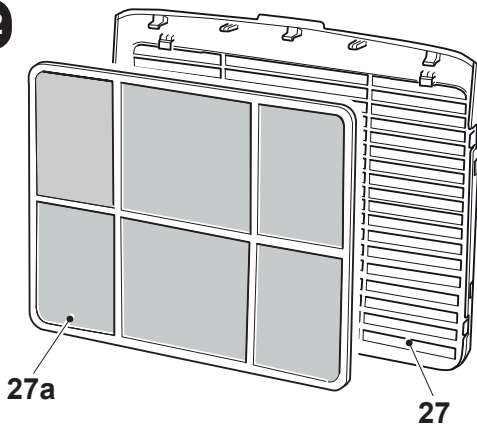
20



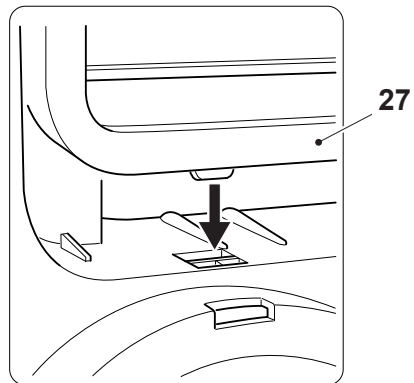
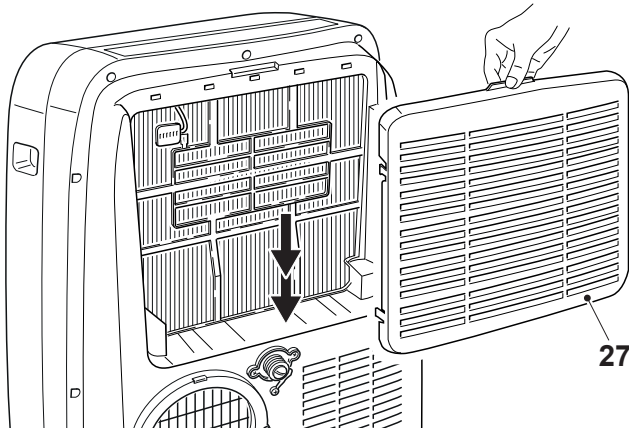
21

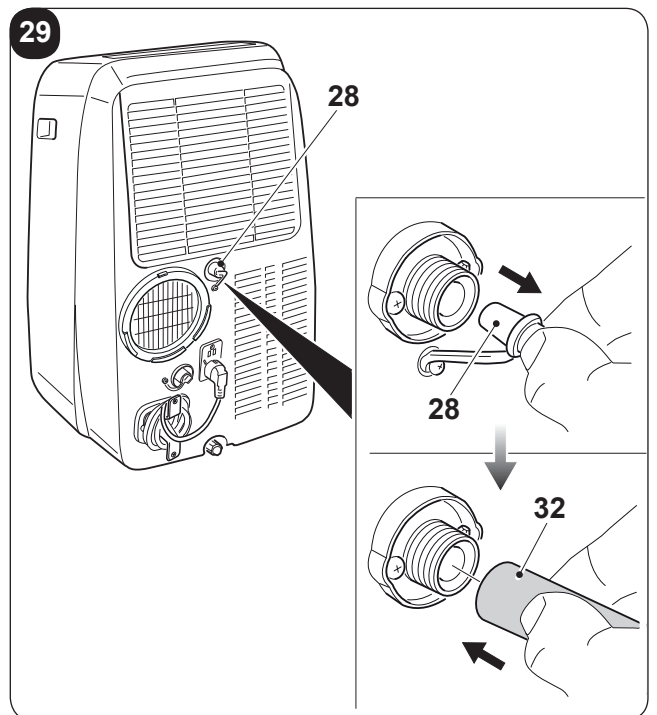
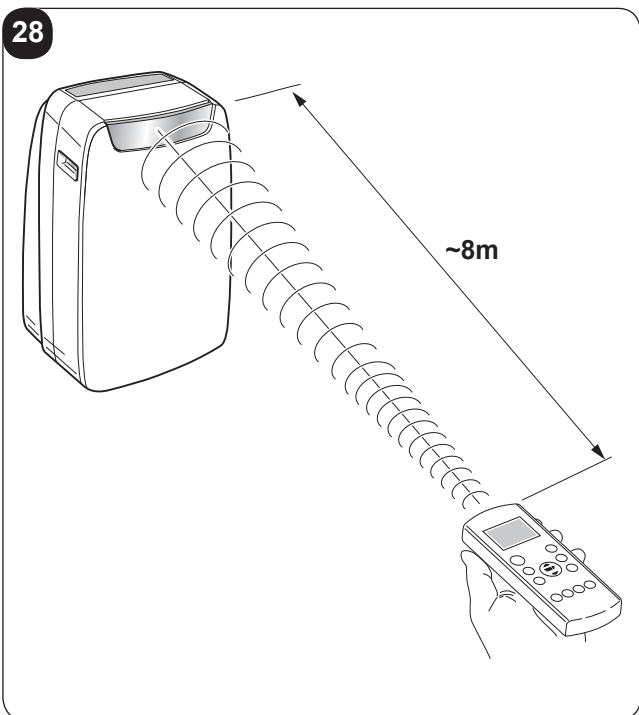
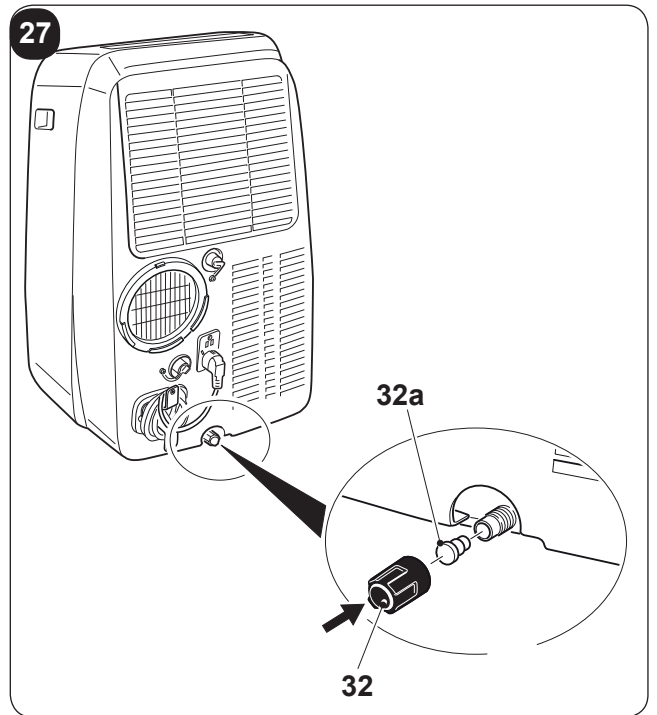
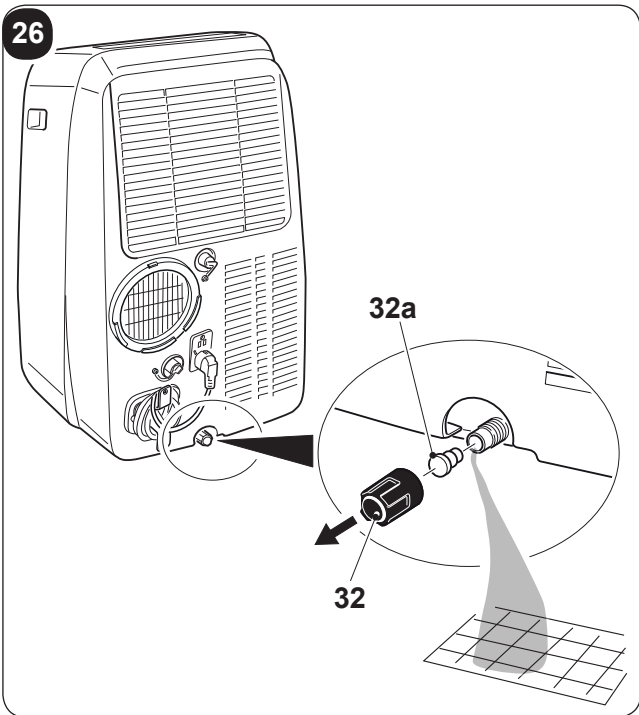
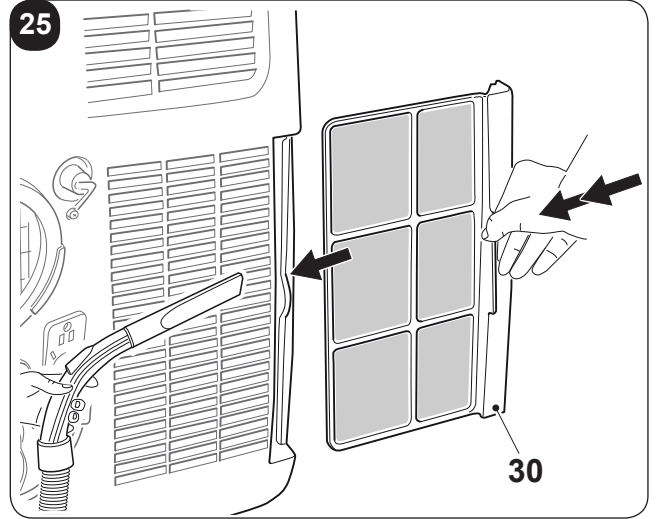
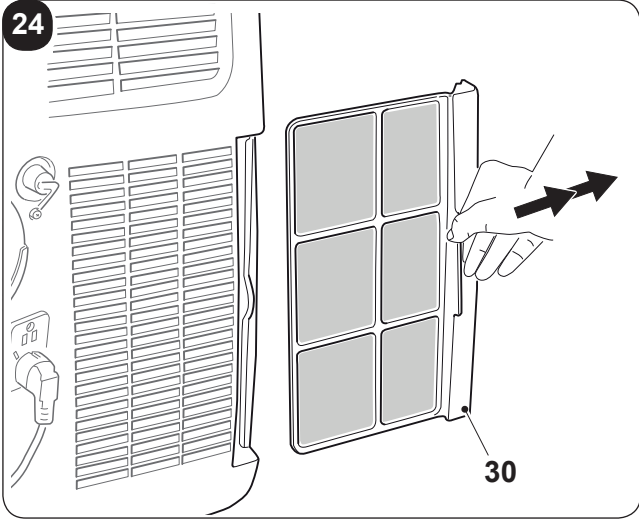


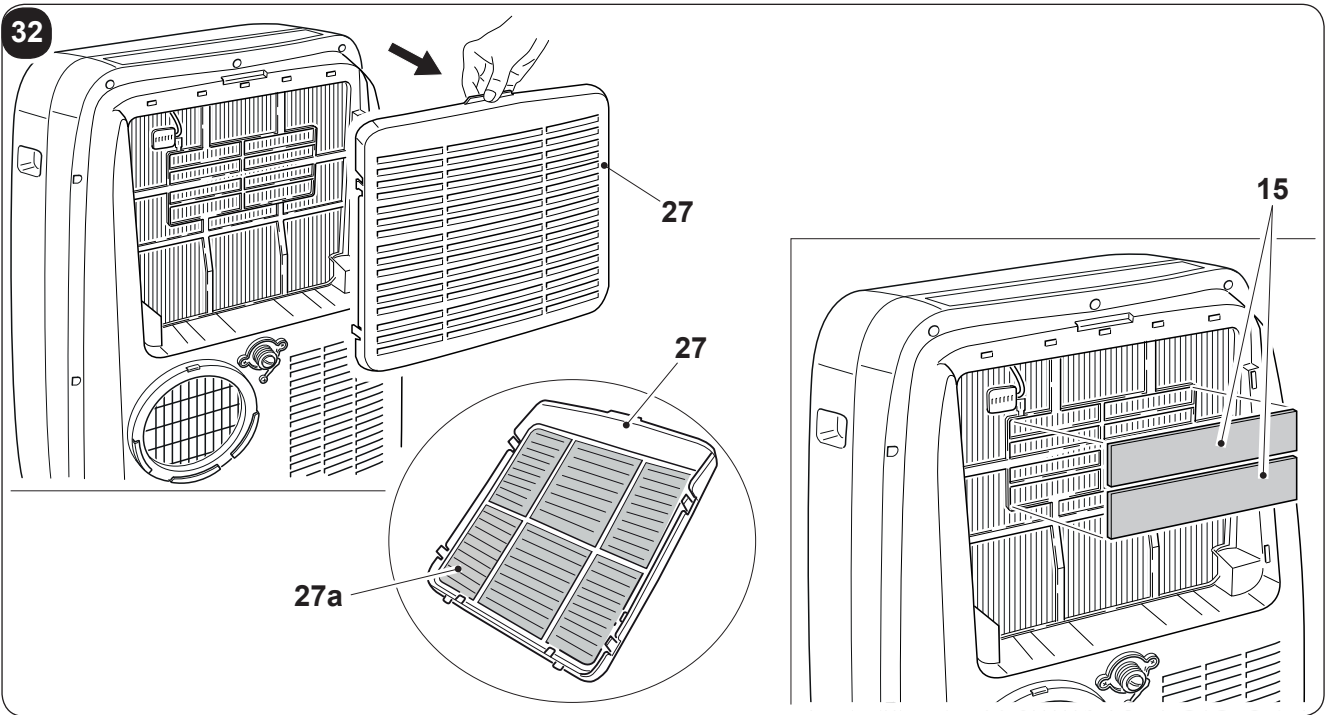
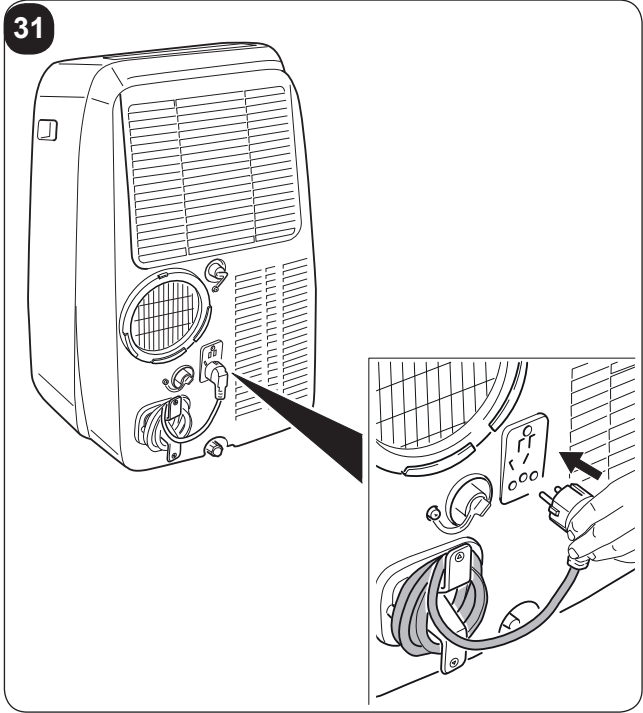
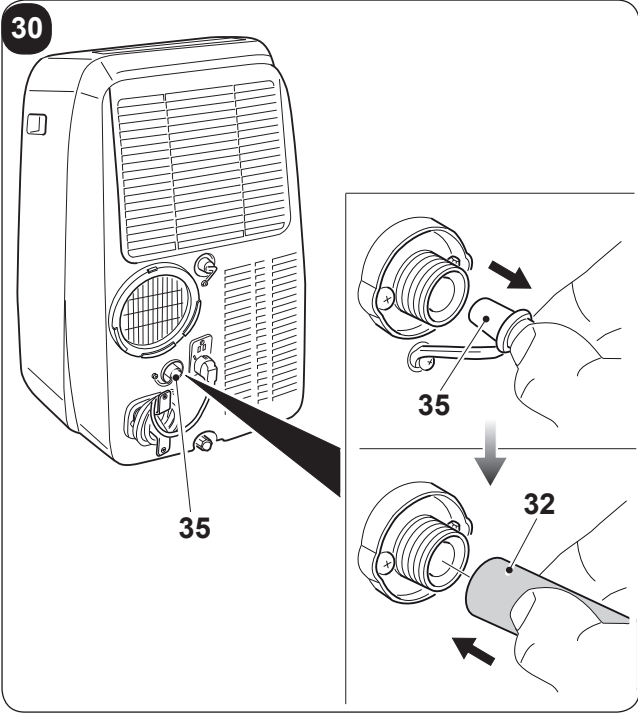
22



23







MAIN INDEX

0 - WARNINGS	3
0.1 - GENERAL INFORMATION	3
0.2 - SYMBOLS	3
0.2.1 - Editorial pictograms	3
0.3 - GENERAL WARNINGS	5
0.4 - PROPER USE	9
0.5 - HAZARDOUS ZONES	9
1 - DESCRIPTION OF THE APPLIANCE	10
1.1 - LIST OF THE COMPONENTS SUPPLIED (FIG.5)	10
1.2 - IDENTIFICATION OF THE MAIN COMPONENTS (FIG.A)	10
INFORMATION RESERVED FOR THE “INSTALLATION TECHNICIAN”	
2 - INSTALLATION	11
2.1 - HOW TO TRANSPORT THE CONDITIONER	11
2.2 - WARNINGS	11
2.3 - MOBILE INSTALLATION	12
2.4 - FIXED INSTALLATION	12
2.5 - ELECTRICAL CONNECTION	12
2.6 - DRAINAGE	13
2.6.a - Use as dehumidifier	13
2.6.b - Use as heat pump	13
(only for the suitable version)	13
SECTION FOR THE TECHNICIAN AND USER	
3 - USE OF THE APPLIANCE	14
3.1 - CONTROL PANEL SYMBOLS AND KEYS (Fig.B)	14
3.2 - REMOTE CONTROL KEYS (Fig. C)	15
3.3 - USE OF THE REMOTE CONTROL	16
3.3.a - Insertion of batteries	16
3.3.b - Replacement of batteries	16
3.3.c - Location of the remote control	17
3.4 - USE OF THE APPLIANCE	17
3.4.a Preliminary operations	17
3.4.b Appliance switching on/off	18
3.5 - AUTO MODE (Automatic)	18
3.6 - COOLING MODE (COOL)	18
3.7 - TURBO COOLING MODE	18
3.8 - DEHUMIDIFICATION MODE (DRY)	19
3.9 - VENTILATION MODE (FAN)	19
3.10 - HEATING MODE (HEAT)	19
(only for version with heat pump)	19
3.11 - TIMER MODE	20
3.11.a Programmed switching on	20
3.11.b Programmed switching off	20
3.12 - OTHER FUNCTIONS	21
3.12.a SILENT function	21
3.12.b SLEEP function	21

3.12.c FOLLOW ME function	21
3.12.d Setting the unit of measurement of temperature	22
3.12.e Directing the air flow	22
3.12.f Short Cut function.....	22
3.12.g Auto-Restart	22
4 - MAINTENANCE AND CLEANING	22
4.1 - CLEANING	23
4.1.a - Cleaning the appliance and the remote control.....	23
4.1.b - Air filters maintenance	23
4.1.c - Cleaning the air filter	23
4.1.d - Cleaning the suction filter.....	23
4.1.e - RECOMMENDATIONS FOR ENERGY SAVING	24
4.2 - Maintenance.....	24
4.2.a - Discharging condensation.....	24
4.2.b - Error codes.....	25
5 - TECHNICAL DATA.....	25
6 - LIMITED WARRANTY USA	25
7 - WIRING DIAGRAM	26
8 - INCONVENIENCES AND POSSIBLE REMEDIES	27



DISPOSAL

This symbol on the product or its packaging indicates that the appliance cannot be treated as normal domestic trash, but must be handed in at a collection point for recycling electric and electronic appliances.

Your contribution to the correct disposal of this product protects the environment and the health of your fellow men. Health and the environment are endangered by incorrect disposal.

Further information about the recycling of this product can be obtained from your local town hall, your refuse collection service, or in the store at which you bought the product.

This regulation is valid only in EU member states.

ILLUSTRATIONS

The illustrations are grouped on the initial pages of the manual



MAIN INDEX

The main index of this manual is given on page "EN-1"



0 - WARNINGS

0.1 - GENERAL INFORMATION

First of all, we would like to thank you for choosing our appliance.

0.2 - SYMBOLS

The pictograms in the next chapter provide the necessary information for correct, safe use of the machine in a rapid, unmistakable way.

0.2.1 - Editorial pictograms



Service

Refers to situations in which you should inform the SERVICE department in the company:
CUSTOMER TECHNICAL SERVICE.



Index

Paragraphs marked with this symbol contain very important information and recommendations, particularly as regards safety.

Failure to comply with them may result in:

- danger of injury to the operators
- loss of the warranty
- refusal of liability by the manufacturer.



Raised hand

Refers to actions that absolutely must not be performed.



DANGER OF HIGH VOLTAGE

Signals to the personnel that the operation described could cause electrocution if not performed according to the safety rules.

**GENERIC DANGER**

It informs the personnel concerned that if the operation is not carried out in compliance with the safety regulations, it presents the risk of suffering physical damage.

**DANGER DUE TO HEAT**

It informs the personnel concerned that if the operation is not carried out in compliance with the safety regulations, it presents the risk of burns due to contact with components at very high temperatures.

**DO NOT COVER**

Indicates to the personnel concerned, that it is prohibited to cover the appliance, to prevent over-heating.

**ATTENTION**

- Indicates that this document must be read carefully before installing and/or using the appliance.
- Indicates that the assistance personnel must handle the appliance following the installation manual.

**ATTENTION**

- Indicates that there may be additional information in attached manuals.
- Indicates that information is available in the user manual or in the installation manual.

**ATTENTION**

Indicates that the assistance personnel must handle the appliance following the installation manual.

0.3 - GENERAL WARNINGS

**WHEN USING ELECTRICAL EQUIPMENT,
BASIC SAFETY PRECAUTIONS MUST ALWAYS BE FOLLOWED IN ORDER
TO REDUCE RISKS OF FIRE, ELECTRIC SHOCKS
AND INJURY, INCLUDING THE FOLLOWING:**



To prevent possible damages to the compressor, each start is delayed by 3 minutes with respect to the last switching off.



1. This document is restricted in use to the terms of the law and may not be copied or transferred to third parties without the express authorization of the manufacturer, OLIMPIA SPLENDID.

Our machines are subject to change and some parts may appear different from the ones shown here, without this affecting the text of the manual in any way.



2. Read this manual carefully before performing any operation (installation, maintenance, use) and follow the instructions contained in each chapter.



3. Keep the manual carefully for future reference.

4. After removing the packaging, check that the appliance is in perfect condition. The packaging materials must not be left within reach of children as they can be dangerous.

5. **THE MANUFACTURER IS NOT RESPONSIBLE FOR DAMAGES TO PERSONS OR PROPERTY CAUSED BY FAILURE TO FOLLOW THE INSTRUCTIONS IN THIS MANUAL.**

6. The manufacturer reserves the right to make any changes it deems advisable to its models, although the essential features described in this manual remain the same.



7. The maintenance of equipment for conditioning such as this one may result dangerous since inside this appliance a refrigerant gas under pressure and live electrical components are present.

For this reason, possible maintenance interventions (with the exception of filters cleaning) must be performed exclusively by authorized and qualified personnel.

8. Failing to comply with the instructions contained in this manual, and using the unit with temperatures exceeding the permissible temperature range will invalidate the warranty.

9. Routine maintenance of the filters and general external cleaning can be done by the user as these operations are not difficult or dangerous.

10. During assembly and at each maintenance operation, it is necessary to respect the precautions indicated in this manual and on the labels located inside or on the appliance, as well as to take all the precautions suggested by common sense and by the Safety Regulations in force in the country of installation.



11. In case of replacement of parts, use only original OLIMPIA SPLENDID parts.



12. If the unit is unused for a long period, or no-one uses the climate-controlled room, it is recommended to disconnect the electric power supply in order to prevent accidents.



13. Do not use liquid or corrosive detergents to clean the unit, do not spray water or other liquids onto the unit, since they could damage the plastic components or even cause electric shocks.



14. Do not wet the indoor unit and the remote control.
Short circuits or fires may occur.



15. In case of functioning anomalies (for example: abnormal noise, bad smell, smoke, abnormal increase in temperature, electrical dispersions, etc.), immediately switch off the appliance and disconnect the plug from the power socket.

For repair work contact solely the technical service centres authorised by the manufacturer and ask for original spare parts to be used. Failure to do this can affect the safety of the appliance.

16. Do not let the air conditioner run for a long time when the humidity is very high and a door or a windows is left open.
Moisture may condense and wet or damage furniture.



17. Do not disconnect the power plug during functioning.
Fire or electrical shocks hazard.

18. Do not place heavy or hot objects on top of the appliance.

19. Before electrically connecting the appliance, make sure the plate data correspond to those of the distribution network. The power socket must be equipped with a Ground System. The plate is located on the sides of the appliance.

20. Install the appliance according to the manufacturer's instructions. An incorrect installation can cause damage to people, animals or property for which the manufacturer accepts no responsibility.

21. If the appliance's plug is incompatible with the socket, have the socket replaced with a suitable one by a qualified technician, who must ascertain that the section of the socket cables is compatible with the power absorbed by the appliance. We do not recommend using adaptors and/or extension cables. If they cannot be avoided, however, they must comply with current safety regulations and their ampacity (A) must not be below the maximum ampacity of the appliance.

22. This appliance is not intended to be run via an external timer or with a separate remote control system.
23. Always and only use the appliance in a vertical position.
24. Do not obstruct the air inlet and outlet grids in any manner.
25. Do not insert extraneous items in the air inlet and outlet grids as this will create the risk of electrical shocks, fire or damages to the appliance.
26. Do not use the appliance:
 - with wet or damp hands;
 - barefoot.
27. Do not pull the power cable or the appliance itself to remove the plug from the socket.
28. Do not use this product under direct sunlight or near a heat source such as a stove, heater or radiator (Fig.3).
29. Do not use the appliance near gas equipment (Fig.3).
30. Always place the appliance on a stable, plane and levelled surface.
31. Leave at least 30cm of free space on both sides and behind the appliance and leave at least 30cm of free space above it (Fig.1).
32. Do not place the appliance near a power socket (Fig.4).
33. The socket must be easily accessible so that the plug can be removed easily in an emergency.
34. Do not handle the plug with wet hands.
35. Do not excessively bend, twist, pull or damage the power cord.
36. Do not run the cord under carpeting, throw rugs or runners etc. Arrange cord away from traffic areas so that it will not be tripped over.
37. Unplug the cord when unit is not in use for an extended period of time and/or when no one is home.
38. Do not use the appliance in particularly moist environments (bathroom, kitchen, etc.).
39. Do not use the appliance outdoors or on wet surfaces. Avoid dropping liquids on the appliance. Do not use the appliance near sinks and taps.
40. Do not immerse the appliance in water or in other liquids.

41. Clean the appliance with a damp cloth; do not use abrasive products or materials. See the appropriate paragraph for the filters cleaning.
42. The most common cause of overheating is dust or lint deposit in the appliance. Regularly remove these accumulations by disconnecting the appliance from the power socket and vacuuming the grids.
43. Do not use the appliance in environments subject to significant temperature changes as condensation could form inside the appliance itself.
44. Install the appliance at at least 2 meters from other electronic devices (TV, radio, computer, dvd player, etc.) in order to avoid disturbances (Fig.6).
45. Do not use the appliance if insecticide gas has just been sprayed in the room or in the presence of burning incenses, chemical vapours or oily residues.
46. Do not use the appliance if the filters are not positioned correctly.
47. Disassembly, repair or reconversion performed by an unauthorized person could cause heavy damages and will cancel the manufacturer warranty.
48. Do not use the appliance in case of malfunctioning or faults, if the cord or plug are damaged, or if it has been dropped or damaged in any manner. Turn the appliance off, disconnect the plug from the socket and let it be checked by professionally qualified personnel.
49. Neither disassemble nor modify the appliance.
50. Repairing the appliance by yourself is extremely dangerous.
51. If you no longer wish to use this appliance, it must be made inoperative by cutting the power supply cable after removing the plug from the power socket. Hazardous parts of the appliance must be rendered harmless, especially as there is a risk of children playing with it.
52. Do not use tools different from those recommended by the manufacturer for the defrosting process and for the appliance cleaning.
53. The appliance is equipped with a thermal protector which preserves the circuit board in case of over-temperature. If this safety device intervenes, disconnect the plug from the power socket and wait for the appliance to completely cool down (at least 20÷30 minutes) and then reconnect the plug to the power socket and restart the appliance.
If the appliance doesn't restart, disconnect the plug from the power socket and contact an Assistance Centre.
54. Do not vent R-410A into atmosphere: R-410A is a fluorinated greenhouse gas, covered by Kyoto Protocol, with a Global Warming Potential (GWP) = 2088.
55. This product contains R-410A refrigerant with O.D.P. = 0 (Ozone Depletion Potential).

0.4 - PROPER USE

- The air conditioner must be used exclusively to produce warm* or cold air or to dehumidify air (upon choice) with the only purpose to make the environment temperature comfortable.
- This appliance is only intended for a domestic use or similar.
- An improper use of the appliance with possible damages caused to people, things or animals releases OLIMPIA SPLENDID from any responsibility.

0.5 - HAZARDOUS ZONES

- The climate controllers must not be installed in environments with the presence of inflammable gases, explosive gases, in very humid environments (laundries, greenhouses, etc.), or in places with other machines that generate a strong heat source, in proximity of a sources of salt water or sulphurous water.



- **DO NOT** use gas, gasoline or other inflammable liquids near to the climate controller.
- Only use supplied components (see paragraph 1.1). The use of non-standard parts may cause water leaks, electric shocks, fires and injuries or damages to things.



This product must be used exclusively according to the specifications indicated in this manual. Use different to that specified, could cause serious injuries.

THE MANUFACTURER IS NOT LIABLE FOR INJURY/DAMAGE TO PERSONS/OBJECTS DERIVING FROM FAILURE TO COMPLY WITH THE REGULATIONS CONTAINED IN THIS MANUAL.

* Only for version with heat pump

1 - DESCRIPTION OF THE APPLIANCE

1.1 - LIST OF THE COMPONENTS SUPPLIED (Fig.5)

The appliance is packaged singularly in a cardboard packaging.
The packaging can be transported by hand by two operators or loaded on a forklift.

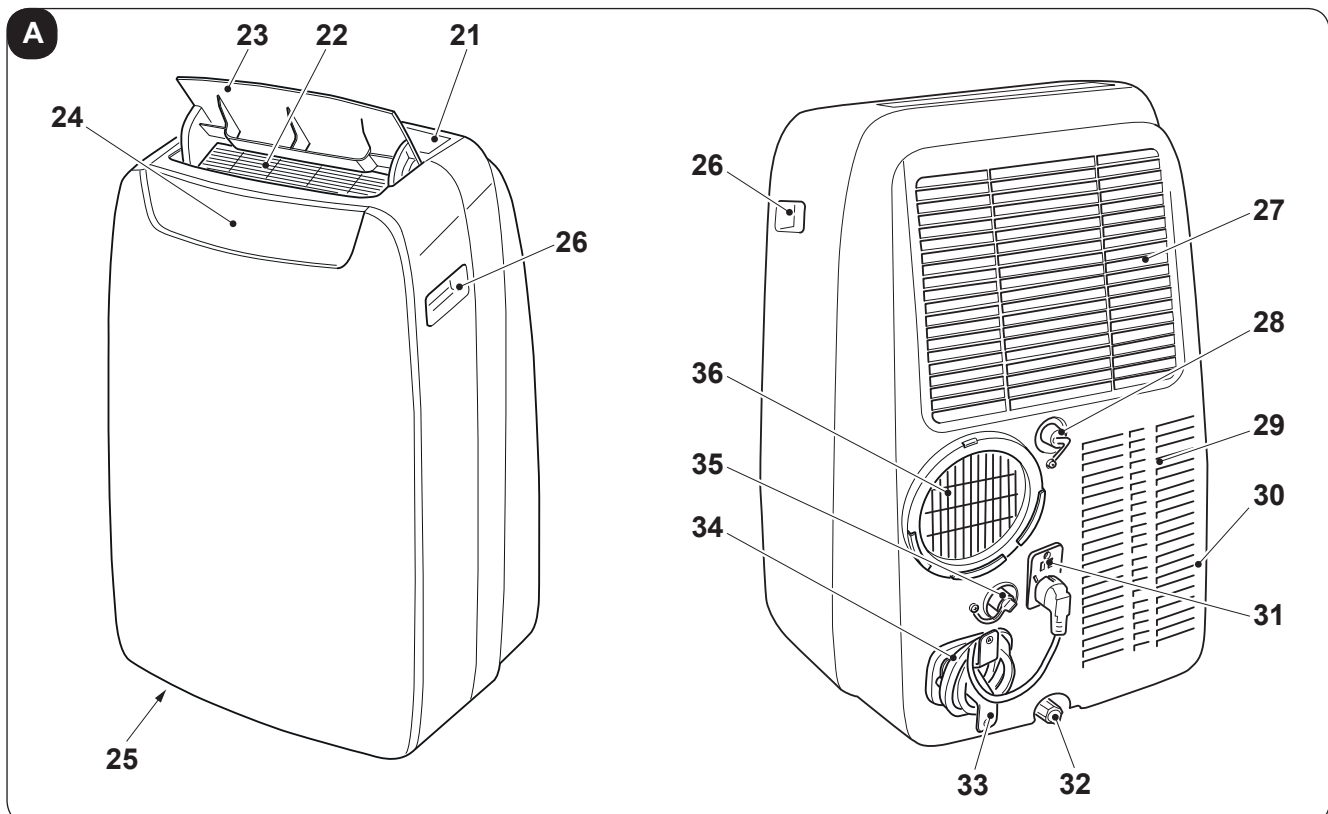


Store the packaging singularly; do not stack it.

- | | |
|---|---|
| <ol style="list-style-type: none"> 1. Flexible hose for air expulsion (cooling and automatic mode) 2. Terminal for flexible hose machine side 3. Terminal for flexible hose for SLIDER installation 4. SLIDER for installation on sliding / roller window 5. Locking bracket + screws for window locking 6. Terminal for flexible hose for fixed installation 7. Flange for fixed installation | <ol style="list-style-type: none"> 8. Seal for SLIDER installation 9. Seal for SLIDER installation 10. Plugs for fixed installation flange 11. Remote control 12. Condensation discharge pipe (dehumidification mode only) 13. Terminal adapter for condensation discharge pipe 14. Manual 15. Additional filters |
|---|---|

1.2 - IDENTIFICATION OF THE MAIN COMPONENTS (Fig.A)

- | | |
|--|--|
| <ol style="list-style-type: none"> 21. Control panel 22. Air outlet grille 23. Flap 24. IR remote control receiver 25. Wheels 26. Handel 27. Air filter grille 27a. Air filter 28. Condensation drain cap (for use as dehumidifier) 29. Air inlet grille | <ol style="list-style-type: none"> 30. Extractable air filter 31. Hole for plug housing 32. Cap for condensation emptying (in case of transport, maintenance or excessive accumulation of water) 33. Cable winder 34. Power supply cable 35. Condensation drain cap (only for version with heat pump) 36. Air outlet grille |
|--|--|



2 - INSTALLATION

2.1 - HOW TO TRANSPORT THE CONDITIONER

- Transport and handling of the appliance must be carried out in vertical position.

If it is transported in a horizontal position, wait at least one hour before starting it.

- Before moving or transporting the appliance, completely drain condensation by working as described in paragraph 4.2.



CAUTION

Moving the air conditioner on delicate flooring (e.g. wooden flooring):

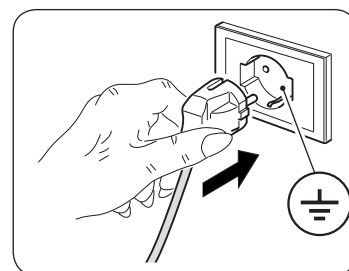
- **Completely drain condensation.**
- **Take great care when moving the conditioner as the wheels could mark the flooring. Although the wheels are made from a rigid material and are swivelling, they could get damaged by use or excessive dirt.**
It is recommended to check that the wheels are clean and that they can move freely.

2.2 - WARNINGS



A failure to respect what follows may cause damages to the appliance.

- Install the air conditioner on flat and stable surfaces and on the floor.
- Only connect the air conditioner to power sockets equipped with a ground system.
- Make sure that curtains or other objects do not obstruct the air suction filters (Fig.7).
- Make sure to keep a minimum distance of 30 cm (Fig.1) between the air conditioner and the adjacent figures.
- The appliance must always be activated paying attention that there are no obstacles for air suction and output.
- The air conditioner must not be used in laundries.
- The air conditioner must be installed in a dry place only.
- The air conditioner must not be started in presence of dangerous materials, steams or liquids.
- Clean the air filters at least once a week.



2.3 - MOBILE INSTALLATION

The air conditioner must be installed in a suitable environment.

It is recommended to reduce solar radiation through curtains, Venetian blinds and to keep doors and windows closed.

- a. Position the air conditioner in front of a window or French window.
- b. Position the machine side terminal (2) on the flexible hose (1) as shown by Fig.8.
- c. Position the terminal (3) on the opposite side of the flexible hose (1) (Fig.8).
- d. Insert the machine side terminal (2) on the air outlet grid of the appliance (36) as shown in figure 9.
- e. Position the terminal (3) in such a way as to make air exit to the exterior (Fig.10)
- f. If you possess a sliding window (vertical or horizontal) or a shutter, it is possible to use the supplied "SLIDER KIT" (4) which allows a more efficient installation.
For the installation with KIT SLIDER, proceed as shown in figures 11 and 12.
- g. Apply the adhesive seal (8) (Fig.12)
- h. Position the "SLIDER KIT" (4) and adapt it (Fig.12)
- i. Position the flexible hose (1) and apply the seal (9) (Fig.12)
- l. If desired, position the locking bracket (5) (Fig.12)



Extend the pipe only to the necessary extent, so that the air conveyor remains closed between the fixture shutters.

2.4 - FIXED INSTALLATION

The air conditioner can also be installed with fixed holes in windows or walls.

Air flow must not be obstructed by protective mesh or similar.

Any forms of protection must have a total cross-section for air flow of not less than 140 cm².

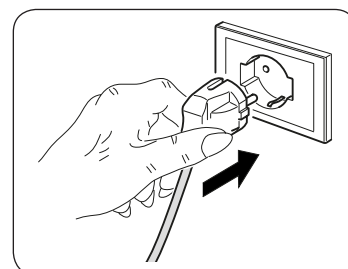
- a. Position the machine side terminal (2) on the flexible hose (1) as shown by Fig.8.
- b. Drill a 127 mm hole in the glass or in the wall at a height above the floor included between 300 and 1200 mm (Fig.13).
- c. Position the terminal (6) in the wall hole and mark the drilling points (Fig.14).
- d. Remove the terminal (6) and drill 6 mm holes (Fig.14).
- e. Insert the supplied wallplugs (10) in the holes (Fig.14).
- f. Position the terminal (6) in the hole of the wall and fix it with the supplied screws (10) (Fig.15).
- g. Insert the machine side terminal (2) on the air outlet grid of the appliance (36) as shown in figure 9.
- h. Connect the other extremity of the flexible hose (1) on the terminal (6) (Fig. 16).
- i. Insert the flange (7) in the terminal (6) and close the cap (7a) when the appliance is not running (Fig.16).

2.5 - ELECTRICAL CONNECTION

The appliance is fitted with a power cable with plug.

Before connecting the air conditioner ensure that:

- The voltage and power frequency values match those specified on the appliance plate data.
- The power line is equipped with an effective earth connection and is correctly sized for maximum power consumption of the air conditioner.



- The appliance's power network must be equipped with a suitable omnipolar disconnection device compliant with national installation regulations.
- The appliance is powered solely through a socket compatible with the plug provided.



CAUTION

Any replacement of the power cable must be carried out solely by Olimpia Splendid technical support or by similarly qualified personnel.

2.6 - DRAINAGE

Depending on the modality of use of the appliance, it is necessary to connect the condensation discharge pipe.

2.6.a - Use as dehumidifier

For the correct use of the appliance, work as follows (figures 29 and 32):

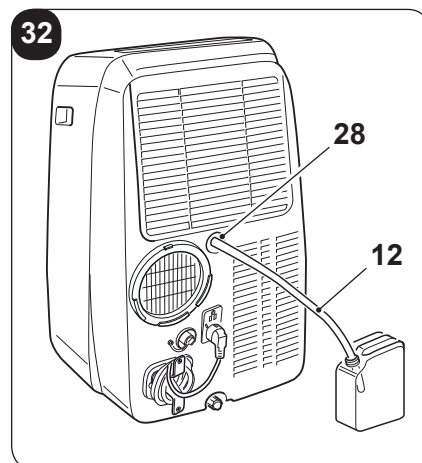
- Remove the cap (28).
- Insert the supplied pipe (12) in the connector.



Make sure the end of the discharge pipe (12) is positioned on a drain well or in a container.

Make sure the pipe (12) is not clogged.

- If necessary, apply the terminal (13) to the condensation discharge pipe (12).



2.6.b - Use as heat pump (only for the suitable version)

For the correct use of the appliance, work as follows (figures 30 and 33):

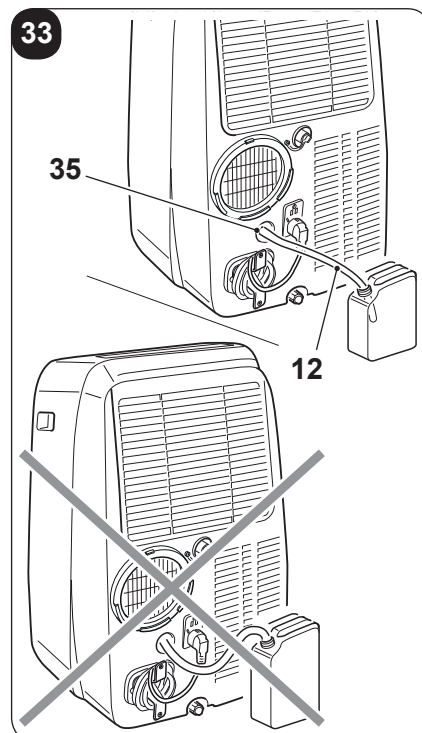
- Remove the cap (35).
- Insert the supplied pipe (12) in the connector.



Make sure the end of the discharge pipe (12) is positioned on a drain well or in a container.

Make sure the pipe (12) is not clogged.

- If necessary, apply the terminal (13) to the condensation discharge pipe (12).

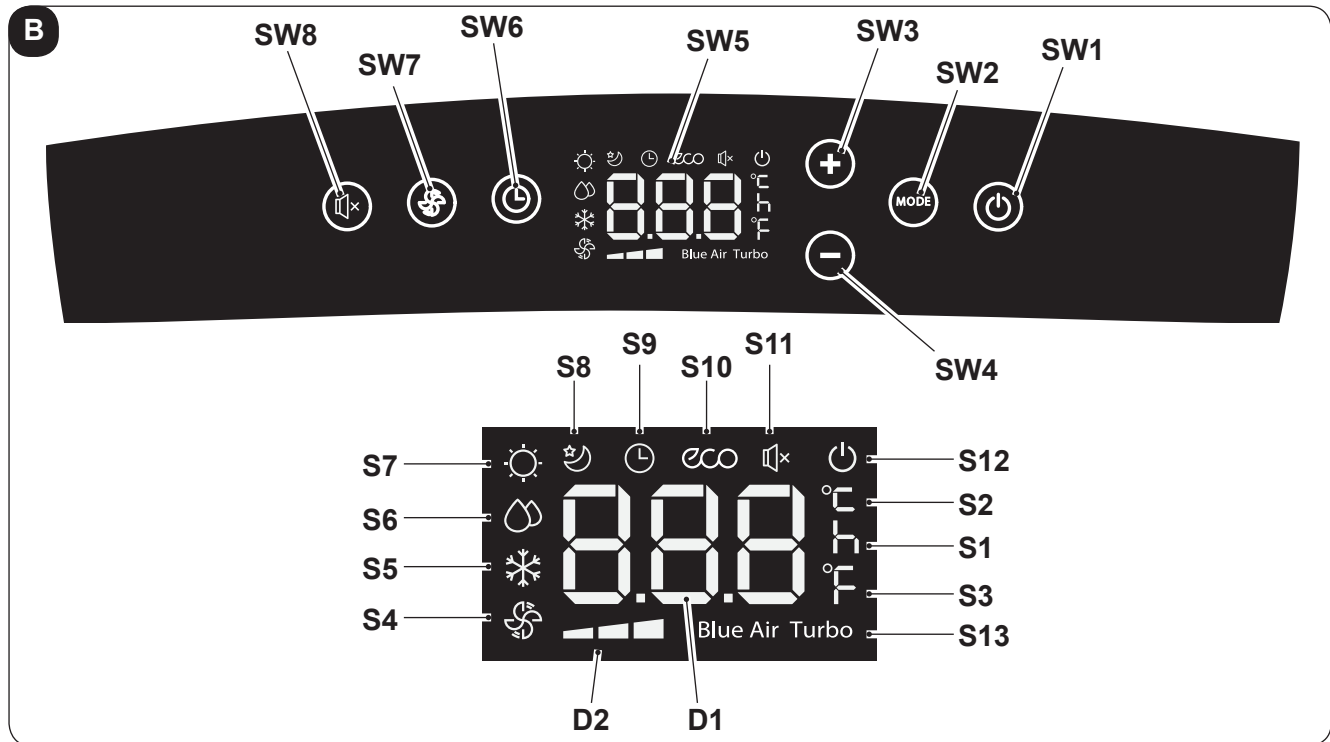


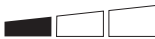


3 - USE OF THE APPLIANCE

The functioning modes of the air conditioner can be selected both through the remote control and through the control panel located on board of the air conditioner.

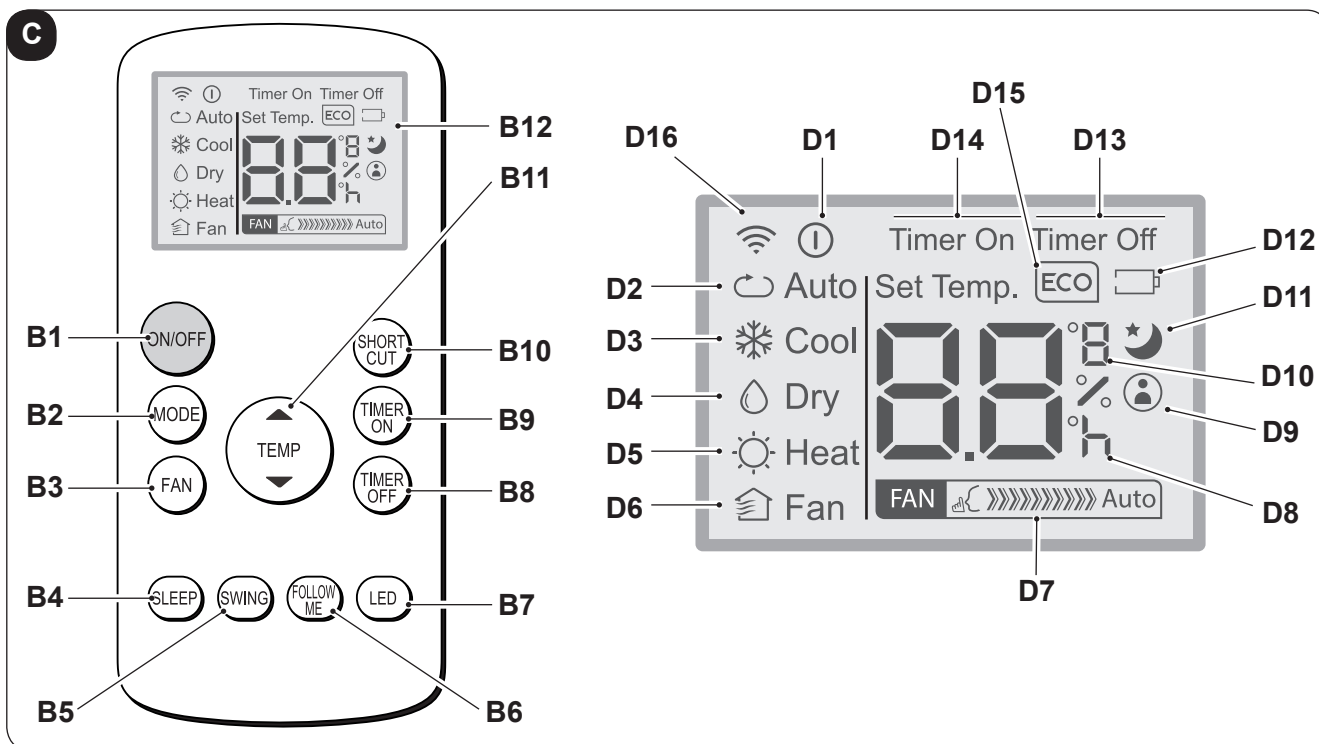
The reception of the selected function is confirmed by the emission of a “beep” by the buzzer.

3.1 - CONTROL PANEL SYMBOLS AND KEYS (Fig.B)

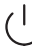











- **SW1:** ON/Stand-by;
- **SW2:** Operation mode selection
ECO - Blue air (auto) =>
=> fan only =>
=> dehumidification =>
=> heating
(active only in the version with heat pump) =>
=> cooling =>
=> turbo cooling => ...
- **SW3:** Temperature/delay increase
- **SW4:** Temperature/delay decrease
- **SW5:** Display
- **SW6:** Confirmation/cancellation unit switching on/off delay
- **SW7:** Fan speed selection
Minimum speed  =>
=> Medium speed  =>
=> Maximum speed  =>
=> Blue air (auto)
- **SW8:** “SILENT” function selection
- **D1:** Set temperature/Timer
- **D2:** Fan speed indication (see “SW7”)
- **S1:** Hour indicator
- **S2:** Temperature indicator in °C
- **S3:** Temperature indicator in °F
- **S4:** Fan only mode
- **S5:** Cooling mode
- **S6:** Dehumidification mode
- **S7:** Heating mode (active only in the version with heat pump)
- **S8:** Sleep mode
- **S9:** Timer mode (programmed switching on/off)
- **S10:** Automatic mode (ECO)
- **S11:** “Silent” function active
- **S12:** Appliance electrically powered indicator
- **S13:** Turbo function

3.2 - REMOTE CONTROL KEYS (Fig. C)



ENGLISH

- **B1:** On/Off key for the appliance switching on/off
 - Symbol  (D1) turned on: appliance On
 - Symbol  (D2) turned off: appliance in Stand-by
- **B2:** Operation mode selection
 AUTO (Automatic) ECO =>
 => cooling =>
 => dehumidification =>
 => heating (active only in the version with heat pump) =>
 => fan only => ...
- **B3:** Fan speed selection

Minimum speed			=>
=> Medium speed			=>
=> Maximum speed			=>
=> Auto			
- **B4:** SLEEP mode activation (ON/OFF)
- **B5:** Activate/deactivate flap oscillation
- **B6:** Activate/deactivate FOLLOW ME function
- **B7:** Activate/deactivate display on machine control panel
- **B8:** Unit switch OFF delay setting
- **B9:** Unit programmed switch-on setting
- **B10:** SHORT CUT
- **B11:** Temperature set increase ▲
- **B12:** Display
- **D1:** Appliance running indicator
- **D2:** Automatic mode (ECO)
- **D3:** Cooling mode (COOL)
- **D4:** Dehumidification mode (DRY)
- **D5:** Heating mode (HEAT) (active only in the version with heat pump)
- **D6:** Fan only mode (FAN)
- **D7:** Fan speed indication (vederte "B3")
- **D8:** Programmed switching on/off "hour" indicator
- **D9:** "FOLLOW ME" function active indicator
- **D10:** Temperature indicator in °C (F)
- **D11:** "SLEEP" function active indicator
- **D12:** Remote control battery low indicator
- **D13:** "TIME OFF" function active indicator
- **D14:** "TIME ON" function active indicator
- **D15:** "ECO" function active indicator
- **D16:** Remote control transmission signal

3.3 - USE OF THE REMOTE CONTROL

The remote control supplied with the air conditioner is the tool which allows You to use the appliance in the most comfortable manner.



It should be handled with care and in particular:

- Keep it dry (do not clean it with water or leave it outdoors in bad weather).
- Avoid dropping or bumping it.
- Keep it out of direct sunlight.



- **The remote control operates by means of an infrared beam.**
- **During use, there must not be any obstacle between the remote control and the air-conditioner.**
- **If other appliances in the room have remote controls (TV, stereo, etc...), there may be interference.**
- **Electronic and fluorescent lights may also interfere with transmissions between remote control and air-conditioner.**
- **Remove the batteries in case of prolonged disuse of the remote control.**

3.3.a - Insertion of batteries

The batteries are supplied with the machine.

To insert the batteries correctly:


- Remove the batteries compartment cover (figure 7).
- Insert the batteries into the relevant compartment (figure 7).



Check the polarity indicated on the bottom of the compartment .

- Close the compartment correctly.

3.3.b - Replacement of batteries

The batteries must be replaced when the icon  (D12) appears on the display.



Always use new batteries.

The use of old or different batteries could generate malfunctioning of the remote control.

The remote control uses two dry alkaline 1.5V batteries (AAA.) (Fig.17).



When replacing batteries, replace both and dispose of the dead batteries in the appropriate collection centres and as required by law.

- If the remote control is not used for several weeks or longer, remove the batteries.
Any leaks from the batteries could damage the remote control.



Do not re-charge or disassemble the batteries. Do not throw the batteries into the fire. They can burn and explode.



If the battery liquid falls onto the skin or clothes, wash well with clean water. Do not use the remote control with batteries that have leaked. The chemical products contained in the batteries can cause burns or other risks to health.

3.3.c - Location of the remote control

- Keep the remote control in a position from which the signal can reach the receiver (24) of the appliance (maximum distance is approx. 8 metres - with charged batteries) (figure 8).
The presence of obstacles (furniture, curtains, walls, etc.) between the remote control and the appliance reduces the remote control range.


3.4 USE OF THE APPLIANCE

Work as follows in order to use the appliance.



To prevent possible damages to the compressor, each start is delayed by 3 minutes with respect to the last switching off.




3.4.a Preliminary operations

- **Place the appliance on a stable and not inclined base, at at least 30 cm. from the wall or from any other object, in order to ensure the correct air circulation. Place it on a water-resistant surface since the possible water leakage could damage furniture or the floor.**
- **Do not place the appliance directly on carpets, towels, blankets or other absorbent surfaces.**
- **Insert the plug in the power socket; the appliance emits a “beep”, on the display appears the icon  and the environment temperature in °C.**



Before electrically connecting the appliance, make sure the plate data correspond to those of the electricity distribution network.



3.4.b Appliance switching on/off

- To start the appliance, press the key “ON/OFF” on the remote control or the key  on the control panel.
- A beep warns that the appliance is in operation and the flap (23) raises.
- The icon  switches on on the control panel.
- appears on its display  appears on its display.
- In case of prolonged stop of the appliance, it must be reset by removing the plug from the power socket, wait 5÷10 seconds and then reinsert it; a beep signals that the appliance is ready for use.


3.5 AUTO MODE (Automatic)

- When this mode is selected, the appliance automatically activates the COOLING, HEATING (only for version with heat pump) or FAN functions depending on the environment temperature and on the set one. The environment temperature is continuously checked to obtain an optimal comfort in the air conditioned room.
- This mode can be selected by pressing the key “MODE” once or more (on the remote control or on the control panel) until when the specific icon **ECO** and **Blue Air** is shown on the display of the control panel and/or when the icon **Auto** appears on the remote control display.
- It is not possible to select the fan speed in **AUTO** mode.

3.6 COOLING MODE (COOL)



- When this mode is selected, the appliance dehumidifies and cools the environment.
This mode can be selected by pressing the key “MODE” once or more (on the remote control or on the control panel) until when the specific icon  appears on the display.
- In this mode, the fan is always switched on and it is possible to select its desired speed by pressing the key “FAN” on the remote control or the key  on the control panel.
The fan speed is displayed as indicated in paragraphs “3.1” (point SW7) and “3.2” (point B3).
- The temperature set-point is included between 17°C and 30°C (from 62°F and 86°F) with 1°C variations and it can be set using the keys +/- on the control panel or with the keys ▲ ▼ on the remote control.
- After a certain time (maximum three minutes) after the activation of the operation mode, the compressor activates and the appliance starts delivering cold air.

3.7 TURBO COOLING MODE




- This function can be activated only from the control panel of the appliance.**
- This mode can be selected by pressing key “MODE” once or more on the control panel until the icons  and “Turbo” appear on the display.
 - The function sets the appliance directly to cooling mode with a temperature of 17°C and maximum speed of the fan in order to reach the set temperature more quickly.

- c. In this mode it is not possible to select either the fan speed and the temperature.
- d. To switch off the function, press key “**MODE**” on the control panel or switch off the appliance.



3.8 DEHUMIDIFICATION MODE (DRY)

- a. When this mode is selected, the appliance dehumidifies the environment.
This mode can be selected by pressing the key “**MODE**” once or more (on the remote control or on the control panel) until when the specific icon appears:
 -  on the control panel
 -  on the remote control display.
- b. In **DRY** mode, it is not possible to select the fan speed or to adjust temperature.
The fan motor works at low speed.
- c. Keep doors and windows closed to achieve the best dehumidifying effect.
Do not place the air outlet pipe out of a window.
- d. Connect the condensation discharge pipe (paragraph 2.6.a)

3.9 VENTILATION MODE (FAN)

- a. When this mode is selected, the appliance doesn't perform any action both on temperature or on air humidity in the environment, but only maintains it in circulation.
- b. This mode can be selected by pressing the key “**MODE**” once or more (on the remote control or on the control panel) until when the specific icon is shown on the display of the control panel and/or of the remote control.
 -  icon on the control panel
 -  icon on the remote control display
- c. In this mode, the fan is always switched on and it is possible to select its desired speed by pressing the key “**FAN**” on the remote control or the key  on the control panel.
- d. The fan speed is displayed as indicated in paragraphs “3.1” (point SW7) and “3.2” (point D7).





3.10 HEATING MODE (HEAT) (only for version with heat pump)

- a. When this mode is selected, the appliance heats the environment.
- b. This mode can be selected by pressing the key “**MODE**” once or more (on the remote control or on the control panel) until when the specific icon  is shown on the display.
- c. In this mode, the fan is always switched on and it is possible to select its desired speed by pressing the key “**FAN**” on the remote control or the key  on the control panel.
The fan speed is displayed as indicated in paragraphs “3.1” (point SW7) and “3.2” (point D7).
- d. The temperature set-point is included between 17°C and 30°C (from 62 F and 86 F) with 1°C variations and it can be set using the keys +/- on the control panel or with the keys ▲ ▼ on the remote control.
- e. After a certain time (maximum three minutes) after the activation of the operation mode, the heat pump activates and the appliance starts delivering warm air.
- f. Connect the condensation discharge pipe (paragraph 2.6.b)





3.11 TIMER MODE

- a. This mode allows to program the switching on or the switching off of the appliance.
- b. The delay time can be set, activated and cancelled both from the remote control and from the control panel.

3.11.a Programmed switching on

- a. When the appliance is in standby mode, select the operation mode, the desired temperature and ventilation speed.
 - On the control panel:
 - press  and set the switching on delay time with the keys +/-.
 - To activate the function, press  or wait approximately 5 seconds so that the set time on the display stops flashing (the display returns to showing the environment temperature).
The icon  lights up.
 - On the remote control:
 - press the key **"TIMER ON"** to access the function and then press the key **"TIMER ON"** once or more until the switching on delay time is set.
 - Direct the remote control towards the appliance; a beep confirms the activation of the function.
 - The icon  on the control panel and the indicator **"Timer On"** on the remote control display light up.
- b. Once the set time has passed, the appliance starts with the same settings (mode, temperature and ventilation speed) as those before switching off.
- c. Time can be set with 30 minutes steps up to 10 hours and with 60 minutes steps from 10 to 24 hours.
- d. Starting the appliance or adjusting the timer setting to **"0.0h"** will cancel the programmed switching on function.

3.11.b Programmed switching off

- a. When the appliance is running, set the delayed switching off time.
 - On the control panel:
 - press  and set the switching off delay time with the keys +/-.
 - To activate the function, press  or wait approximately 5 seconds so that the set time on the display stops flashing (the display returns to showing the environment temperature).
The icon  lights up.
 - On the remote control:
 - press the key **"TIMER Off"** to access the function and then press the key **"TIMER Off"** once or more until the switching off delay time is set.
 - Direct the remote control towards the appliance; a beep confirms the activation of the function.
 - The icon  on the control panel and the indicator **"Timer Off"** on the remote control display light up.
- b. Once the set time has passed, the appliance switches off.


- c. Time can be set with 30 minutes steps up to 10 hours and with 60 minutes steps from 10 to 24 hours.
- d. Switching off the appliance or adjusting the timer setting to “**0.0h**” will cancel the programmed switching off function.

3.12 OTHER FUNCTIONS

3.12.a SILENT function

- **This function can only be activated from the control panel of the appliance and is available only if the room temperature is between 21 and 25 °C (71 and 77 F).**
- a. When the appliance is working, press key SW8 (speaker); The speaker symbol appears. Ventilation speed automatically sets itself to minimum.
 - b. Press the key again to deactivate the function.

3.12.b SLEEP function

- **This function can be activated only from the remote control.**
 - **This function is not available while the Dehumidification (DRY) and Fan Only (FAN) modes are active.**
- a. When the appliance is running, press the key “**SLEEP**” on the remote control.
The icon  appears on the control panel and on the remote control display.
The appliance will decrease (when cooling) or increase (when heating) the set temperature by 1°C (1 or 2°F) for 30 minutes.
 - b. Then, the appliance will decrease (when cooling) or increase (when heating) the set temperature by 1°C (1 or 2°F) for an additional 30 minutes.
 - c. This temperature will be maintained for 7 hours before returning to the originally selected temperature. Once this time has passed, the appliance will restart working as originally programmed.
 - d. Press the key “**SLEEP**” on the remote control to stop the function; the icon on the control panel and on the remote control display turn off.

3.12.c FOLLOW ME function

- **This function can be activated only from the remote control.**
- **This function is not available while the Dehumidification (DRY) and Fan Only (FAN) modes are active.**

In this function, the remote control serves as a thermostat.

- a. When the appliance is running, press the key “**FOLLOW ME**” on the remote control.
- b. Move with the remote control in an area of the room different from where the appliance is positioned (maximum distance is 7÷8 metres) directing it towards the appliance itself and making sure there are no obstacles between them.
- c. Set the desired temperature on the remote control; the appliance works until it takes the temperature of the area where the remote control is positioned to the value set on the remote control itself.
- d. The remote control sends a signal to the appliance and, if it doesn't receive a response within a maximum time of 7 minutes, the function deactivates.
- e. Press the key “**FOLLOW ME**” on the remote control or switch the appliance off to stop the function.

3.12.d Setting the unit of measurement of temperature

It is possible to choose the set and environment temperature unit of measurement choosing between °C (Celsius) or °F (Fahrenheit).

Work as follows:

- **On the control panel**, press the keys **+** and **-** at the same time for approximately three seconds. The desired unit of measurement appears on the display of the control panel.
- **On the remote control**, keep the central key **TEMP** pressed for approximately three seconds. The desired unit of measurement appears on the display of the remote control.



The unit of measurement change must be performed both on the control panel and on the remote control.

3.12.e Directing the air flow

- **This function can be activated only from the remote control.**
 - a. When the appliance starts, the flap opens completely.
 - b. Press the key **"SWING"** on the remote control and the flap starts oscillating automatically.
 - c. Press the key **"SWING"** to stop the flap in a certain position. Press it again to restart oscillation.

3.12.f Short Cut function

- **This function can be activated only from the remote control.**
 - a. When the appliance is running in any of its modes, press the key **"SHORT CUT"** on the remote control and the appliance automatically configures itself to **"AUTO"** with a set temperature of 26°C (80°F).

3.12.g Auto-Restart

- a. If the appliance switches off due to interruption of power supply, it automatically restarts with the previous settings when electrical power is restored.

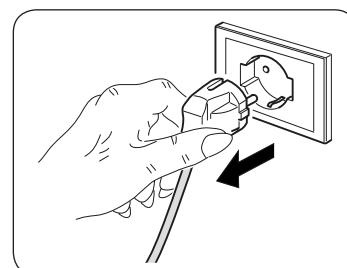
4 - MAINTENANCE AND CLEANING



Before proceeding with any maintenance and cleaning intervention, always make sure you disconnected the power plug from the power socket.



Do not touch the metal parts of the appliance when you remove the filter. There is a risk of injury due to the sharp metal edges.



Do not use water to clean the internal parts of the air conditioner. Exposure to water can ruin the isolation, with the risk of electric shocks.

4.1 - CLEANING

4.1.a - Cleaning the appliance and the remote control

- a. Use a dry cloth to clean the appliance and the remote control.
- b. It is possible to use a cloth moistened with cold water to clean the appliance in case it's very dirty.



Do not use a chemically treated or antistatic cloth to clean the appliance.



***Do not use gasoline, solvent, polish or similar solvents.
These products could cause the breakage or deformation of the plastic surface.***

4.1.b - Air filters maintenance

The filter system consists of a mesh filter (fig. 32 ref. 27a) and a series of additional filters that the user can choose from (fig. 32 ref. 15).

To ensure the indoor air is filtered correctly and to guarantee that your air conditioner runs efficiently, it is vital to clean the air filters regularly.



***The additional filters must be changed after around 500 working hours.
In order for the filter system to work correctly only original spare parts should be used.***

4.1.c - Cleaning the air filter

A dirty air filter reduces the cooling capacity of the appliance.

Please clean the filter once every 2 weeks.

- a. Release the grille (27) together with the filter (27a) and raise it to remove it from the appliance (Fig.19).
- b. Remove the filter (27a) from the grille (27) (Fig.20).
- c. Clean the filter (27a) using a vacuum cleaner or wash it with water, then let it dry in a fresh environment.



Provide for the filter (27a) replacement if it is damaged.

- d. Make sure the filter (27a) has dried completely.
- e. Reposition the filter (27a) in the grille (27) paying attention to its correct positioning (Fig. 22).
- f. Suck possible fluff from the plates (Fig. 21).
- g. Position the grille (27) together with the filter (27a) on the appliance body making sure it is correctly hooked.



Do not use the appliance without the filter (27a).

4.1.d - Cleaning the suction filter

A dirty suction filter reduces the appliance performances.

Please clean the filter once every 2 weeks.

- a. Remove the filter (30) laterally (Fig.24).
- b. Clean the filter (30) using a vacuum cleaner or wash it with water, then let it dry in a fresh environment.



Provide for the filter (30) replacement if it is damaged.

- c. Make sure the filter (30) has dried completely.
- d. Correctly reposition the filter (30) in its specific seat (Fig. 25).
- e. Suck possible fluff from the grille (Fig. 25).



Do not use the appliance without the filter (30).

4.1.e - RECOMMENDATIONS FOR ENERGY SAVING

Below find simple recommendations for reducing consumption:

- Always and constantly keep the filters clean (see maintenance and cleaning chapter).
- Keep the doors and windows of the rooms to be climate controlled closed.
- Do not let sun rays penetrate freely into the room (we recommend using curtains or lowering blinds or closing the shutters).
- Do not obstruct the air flow path (input and output) of the appliance; this, in addition to obtaining a non-optimal yield, also affects the correct operation of the appliance and the possibility of irreparable damages to the appliance itself.

4.2 - MAINTENANCE

If you do not intend to use the appliance for a long period of time, work as follows:

- a. Activate the fan only mode for a few hours (approximately 8÷10 hours) to dry the interior of the appliance.
- b. Stop the air conditioner and disconnect the power supply.
- c. Clean the air filters.
- d. Completely discharge condensation.
- e. Wrap the power supply cable (34) around the cable winder (33) and insert the plug in the specific housing (31) (Fig.31).
- f. Remove the batteries from the remote control.

Checks before resuming use of the air conditioner:

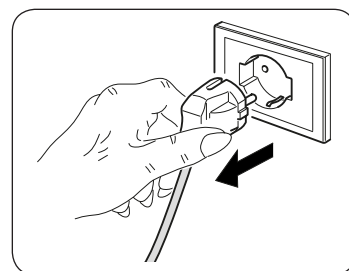
- a. Clean the filters after a long period of inactivity of the air conditioner.
- b. Check that the air outlet or inlet are not obstructed (especially after a long period of inactivity of the air conditioner).

4.2.a - Discharging condensation

When condensation in the lower tray reaches the predetermined level, the appliance emits 8 beeps; “P1” appears on the control panel and the appliance stops working (the fan motor keeps running).

In this case:

- a. Disconnect the plug from the power socket.
- b. Carefully move the appliance in position suitable to unload water.
- c. Remove the drain cap (32) and the rubber cap (32a) (Fig.26).



Make sure you correctly tightened the drain cap (32) in order to avoid water leak.

- d. Make water unload completely.
- e. Reposition the rubber cap (32a) and screw the drain cap (32) (Fig.27).
- f. Insert the plug in the power socket and restart the machine until when the indicator “P1” turns off.



If the error repeats, please contact an Assistance Centre.

4.2.b Error codes

During the appliance functioning, a few anomalies which stop its functioning could appear. In these cases, some error codes appear on the control panel.

- **P1** Lower tray full.
 - Empty it by operating as described in paragraph 4.2.a
-
- **F1** Filters cleaning.
 - Message **F1** appears every 250 hours of operation of the fan motor. Proceed with the filters cleaning (paragraphs 4.1.b - 4.1.c - 4.1.d) and reset the hours counting by keeping key "**ON/OFF**" on the appliance control panel pressed for 5 seconds.
-
- **E1** Environment temperature sensor error.
- **E2** Evaporator temperature sensor error.
- **E3** Condenser temperature sensor error
- **E4** Display panel communication error.

In these cases:

- a. electrically disconnect the appliance
- b. wait a few minutes
- c. connect the plug to the power socket
- d. restart the appliance.



If the inconvenience persists and the error code doesn't turn off, electrically disconnect the appliance and refer to an Assistance Centre.

5 - TECHNICAL DATA

For the technical data, please consult the data plate applied to the product (Fig.2). If you need technical support please contact: techservices@olimpiasplendidusa.com or use our toll free number of (800) 408-5196

• Dimensions (W x H x D)	490 x 765 x 425 mm
• Working temperature limits in Cooling function	17°C÷35°C (62 F ÷ 95 F)
• Working temperature limits in Dehumidification function	13°C÷35°C (55 F ÷ 95 F)
• Working temperature limits in Heating mode (heat pump)	5°C÷30°C (41 F ÷ 86 F)
• Refrigerant gas	R32

6 - LIMITED WARRANTY USA

Dear Customer

Thank you very much for purchasing a Olimpia Splendid portable air conditioner

The terms of the limited warranty and technical assistance are given in the documentation accompanying your appliance for any information and please register your purchase at:

www.olimpiasplendidusa.com/warranty-registration

7 - WIRING DIAGRAM

See page "IT-27" for the wiring diagram.

8 - INCONVENIENCES AND POSSIBLE REMEDIES

MALFUNCTION	CAUSE	WHAT DO I DO?
The appliance doesn't work.	No power. The plug has not been inserted.	Wait. Insert the plug in the power socket.
The appliance doesn't switch on.	P1 Error Code ----- In COOLING mode: environment temperature is lower than the set temperature	The water collection tray is full. Switch off the appliance, unload water from the collection tray and then restart the appliance. ----- Reset temperature.
The appliance only works for a small amount of time.	The temperature set is too close to ambient temperature. ----- Suction of outside air is obstructed.	Lower the temperature set. ----- Remove the obstructions. Call the Service Centre.
The appliance doesn't cool efficiently.	The air filters are clogged by dust, fluff or animal hair. ----- The drain pipe not connected or it is clogged. ----- The appliance has a low level of refrigerant. ----- Temperature setting is too high. ----- The windows or doors of the room are open. ----- The room area is too large. ----- Heat sources are present inside the room.	Switch off the appliance and clean the filters following the instructions. ----- Switch off the appliance, disconnect the pipe, remove the possible obstruction and reconnect the drain pipe ----- Contact an assistance centre to have the appliance inspected and the refrigerant topped-up. ----- Reduce the set temperature. ----- Make sure all the windows and the doors are closed. ----- Check the cooling area again. ----- Remove the heat sources if possible.
The appliance is noisy and vibrates excessively.	The appliance bearing surface is not levelled. ----- The air filters are clogged by dust, fluff or animal hair.	Place the appliance on a flat and levelled surface. ----- Switch the appliance off and clean the filters following the instructions.
The appliance emits an abnormal sound.	This sound is caused by the refrigerant flow inside the unit.	It is totally normal.
Water leaks from the conditioner during transport.	The conditioner has been tilted or laid flat.	Empty water before moving the appliance.
In cooling, night-time or automatic mode, minimum speed cannot be selected.	Ambient temperature too low.	Air conditioner behaviour is normal.

Do not try to repair the appliance by yourself.

If the problem has not been solved, please contact your local retailer or if you need technical support please contact: techservices@olimpiasplesniddusa.com or use our toll free number of (800) 408-5196. Please supply detailed information about the malfunction and the equipment model and serial numbers.

ÍNDICE GENERAL

0 - ADVERTENCIAS	3
0.1 - INFORMACIONES GENERALES	3
0.2 - SIMBOLOGÍA.....	3
0.2.1 - Pictogramas informativos.....	3
0.3 - ADVERTENCIAS GENERALES.....	5
0.4 - USO PREVISTO	9
0.5 - ZONAS DE RIESGO	9
1 - DESCRIPCIÓN DEL APARATO	10
1.1 - LISTA DE COMPONENTES SUMINISTRADOS DE SERIE (FIG.5).....	10
1.2 - IDENTIFICACIÓN DE LOS COMPONENTES PRINCIPALES (FIG.A).....	10
INFORMACIÓN RESERVADA AL “TÉCNICO INSTALADOR”	
2 - INSTALACIÓN	11
2.1 - TRANSPORTE DEL ACONDICIONADOR.....	11
2.2 - ADVERTENCIAS	11
2.3 - INSTALACIÓN MÓVIL	12
2.4 - INSTALACIÓN FIJA	12
2.5 - CONEXIÓN ELÉCTRICA.....	12
2.6 - DRENAJE.....	13
2.6.a - Uso como deshumidificador	13
2.6.b - Uso como bomba de calor	13
(sólo para la versión adecuada).....	13
SECCIÓN PARA EL TÉCNICO Y PARA EL USUARIO	
3 - USO DEL APARATO	14
3.1 - SÍMBOLOS Y TECLAS DEL PANEL DE MANDOS (Fig.B)	14
3.2 - TECLAS DEL CONTROL REMOTO (Fig.C)	15
3.3 - USO DEL CONTROL REMOTO	16
3.3.a - Inserción de las baterías	16
3.3.b - Substitución de las pilas.....	16
3.3.c - Posición del control remoto	17
3.4 - USO DEL APARATO	17
3.4.a Operaciones preliminares	17
3.4.b Arranque/apagamiento aparato.....	18
3.5 - MODO AUTO (Automático).....	18
3.6 - MODO ENFRIAMIENTO (COOL)	18
3.7 - MODO ENFRIAMIENTO TURBO	18
3.8 - MODO DESHUMIDIFICACIÓN (DRY).....	19
3.9 - MODO VENTILACIÓN (FAN).....	19
3.10 - MODO CALENTAMIENTO (HEAT)	19
(sólo para versión con bomba de calor)	19
3.11 - MODO TEMPORIZADOR	20
3.11.a Arranque programado	20
3.11.b Apagamiento programado.....	20
3.12 - OTRAS FUNCIONES.....	21
3.12.a Función SILENT	21
3.12.b Función SLEEP	21

3.12.c	Función FOLLOW ME	21
3.12.d	Configuración unidad de medida de la temperatura	22
3.12.e	Direccionamiento del flujo del aire	22
3.12.f	Función de Atajo.....	22
3.12.g	Reinicio Automático.....	22

4 - MANTENIMIENTO Y LIMPIEZA	22
4.1 - LIMPIEZA.....	23
4.1.a - Limpieza del aparato y del control remoto	23
4.1.b - Mantenimiento de los filtros de aire.....	23
4.1.c - Limpieza del filtro de aire	23
4.1.d - Limpieza del filtro de aspiración	23
4.1.e - Consejos para el ahorro de energía.....	24
4.2 - Mantenimiento.....	24
4.2.a - Descarga agua de condensación.....	24
4.2.b - Códigos de error.....	25
5 - DATOS TÉCNICOS	25
6 - GARANTÍA PARA USA	25
7 - ESQUEMA ELÉCTRICO	26
8 - INCONVENIENTES Y POSIBLES RECURSOS	27



DESGUACE

Este símbolo sobre el producto o su embalaje, indica que el mismo no puede ser tratado como residuo doméstico habitual, sino debe ser entregado en un punto de recogida para el reciclado de aparatos eléctricos y electrónicos.

Con su contribución para el desguace correcto de este producto, protegerá el medio ambiente y la salud de sus prójimos. Con un desguace erróneo, se pone en riesgo el medio ambiente y la salud.

Otras informaciones sobre el reciclado de este producto las obtendrá de su ayuntamiento, recogida de basura o en el comercio donde haya adquirido el producto. Esta norma es válida únicamente para los estados miembros de la UE.

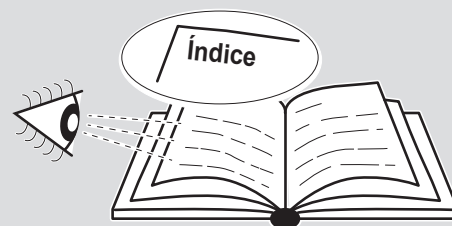
ILUSTRACIONES

Las ilustraciones están agrupadas en las páginas iniciales del manual.



ÍNDICE GENERAL

El índice general de este manual se proporciona en la página "ES-1".



0 - ADVERTENCIAS

0.1 - INFORMACIONES GENERALES

En primer lugar, deseamos darle las gracias por haber elegido uno de nuestros aparatos.

0.2 - SIMBOLOGÍA

Los pictogramas presentes en este capítulo permiten suministrar rápidamente y de manera unívoca informaciones necesarias para la correcta utilización de la máquina en condiciones de seguridad.

0.2.1 - Pictogramas informativos



Servicio

Indica situaciones en las cuales se debe informar al SERVICE empresarial interno: **SERVICIO ASISTENCIA TÉCNICA A CLIENTES.**



Índice

los párrafos precedidos por este símbolo, contienen informaciones y prescripciones muy importantes, particularmente por lo que respecta a la seguridad.

La falta de observación de los mismos puede comportar:

- peligro para la incolumidad de los operadores
- pérdida de la garantía de contrato
- declinación de las responsabilidades de la empresa constructora.



Mano levantada

Indica acciones que no se deben hacer en absoluto.



TENSIÓN ELÉCTRICA PELIGROSA

Señala al personal interesado que la operación descrita presenta, si no es realizada respetando las normativas de seguridad, el riesgo de sufrir un shock eléctrico.



PELIGRO GENÉRICO

Señala al personal implicado que, si la operación descrita no se realiza respetando las normas de seguridad, existe el riesgo de sufrir daños físicos.



PELIGRO DE FUERTE CALOR

Señala al personal implicado que, si la operación descrita no se realiza respetando las normas de seguridad, existe el riesgo de sufrir quemaduras a causa del contacto con componentes a temperatura elevada.



NO CUBRIR

Señala al personal implicado que está prohibido cubrir el aparato para evitar que se recaliente.



ATENCIÓN

- Señala que este documento se tiene que leer con atención antes de instalar y/o utilizar el aparato.
- Indica que el personal de asistencia debe manejar el aparato ateniéndose al manual de instalación.



ATENCIÓN

- Señala que puede haber información adicional en manuales adjuntos.
- Indica que se encuentra disponible información en el manual de uso o en el manual de instalación.



ATENCIÓN

Indica que el personal de asistencia debe manejar el aparato ateniéndose al manual de instalación.

0.3 - ADVERTENCIAS GENERALES

CUANDO SE UTILIZAN APARATOS ELÉCTRICOS, PARA REDUCIR EL RIESGO DE INCENDIO, DE DESCARGAS ELÉCTRICAS Y DE PROVOCAR DAÑOS A PERSONAS, ES NECESARIO TOMAR SIEMPRE LAS MEDIDAS DE SEGURIDAD ADECUADAS Y TENER EN CUENTA LOS SIGUIENTES CONSEJOS:



Para prevenir posibles daños al compresor, cada arranque se retrasa de 3 minutos con respecto a la última parada.



1. Documento reservado según la ley con prohibición de reproducción o transmisión a terceros sin la expresa autorización de la empresa OLIMPIA SPLENDID.

Las máquinas pueden ser actualizadas y por lo tanto presentar detalles distintos respecto a aquellos representados, sin constituir por ello, perjuicio para los textos contenidos en el presente manual.



2. Leer atentamente el presente manual antes de realizar cualquier tipo de operación (instalación, mantenimiento, uso) y abstenerse escrupulosamente a todo lo que se encuentra en cada uno de los capítulos.



3. Conserve con cuidado este manual para consultas posteriores.

4. Una vez quitado el embalaje, verifiquen que el aparato esté íntegro, los elementos del embalaje no deben dejarse al alcance de los niños ya que son potenciales fuentes de peligro.

5. **LA EMPRESA CONSTRUCTORA NO ASUME NINGUNA RESPONSABILIDAD POR DAÑOS EN PERSONAS O COSAS QUE DERIVEN DE LA FALTA DE OBSERVACIÓN DE LAS NORMAS CONTENIDAS EN EL PRESENTE MANUAL.**

6. La empresa constructora se reserva el derecho de aportar modificaciones en cualquier momento en los propios modelos, manteniendo, sin embargo, las características esenciales descritas en el presente manual.



7. El mantenimiento de aparatos para la climatización como este podría resultar peligroso ya que dentro de este aparato hay un gas refrigerante bajo presión y componentes eléctricos bajo tensión.

Por eso, las posibles intervenciones de mantenimiento (excepción hecha para la limpieza de los filtros) deben ejecutarse exclusivamente por personal autorizado y cualificado.

8. Si las instalaciones son llevadas a cabo sin respetar las advertencias indicadas en el presente manual y la utilización no observa los límites de temperatura prescritos decae automáticamente la garantía.

9. El ordinario mantenimiento de los filtros y la limpieza general externa pueden ser realizadas incluso por el usuario, ya que no comportan operaciones dificultosas o peligrosas.

10. Durante el montaje, y en cada operación de mantenimiento, es necesario respetar las precauciones citadas en este manual y en las etiquetas dentro del o sobre el aparato, y también adoptar cualquiera precaución sugerida por el sentido común y por las Normativas de Seguridad vigentes en el lugar de instalación.



11. En caso de sustitución de componentes utilizar exclusivamente repuestos originales OLIMPIA SPLENDID.



12. Si la unidad no se utiliza por un período prolongado o si no hay nadie en la habitación climatizada, se recomienda desconectar la alimentación eléctrica para evitar accidentes.



13. No utilice detergentes líquidos o corrosivos para limpiar la unidad ni pulverice agua u otros líquidos en ella, ya que estos productos pueden dañar los componentes de plástico o, incluso, provocar descargas eléctricas.



14. No moje la unidad interior ni el mando a distancia. Podrían producirse cortocircuitos o incendios.



15. En el caso de anomalías de funcionamiento (por ejemplo: ruido anormal, mal olor, fumo, aumento anómalo de la temperatura, dispersiones eléctricas, etc.), apague inmediatamente el aparato y desconecte el enchufe de la toma de corriente.

Para eventuales reparaciones diríjase solamente a un centro de asistencia técnica autorizado por el fabricante y soliciten el empleo de piezas de recambio originales. La falta de respeto de todo lo antes expuesto puede poner en peligro la seguridad del aparato.

16. No deje el acondicionador en funcionamiento por períodos prolongados si la humedad es elevada y hay puertas o ventanas abiertas. La humedad podría condensarse y mojar o dañar los muebles.



17. No desconecte el enchufe de alimentación durante el funcionamiento. Riesgo de incendio o descargas eléctricas.

18. No apoyen objetos pesados o calientes sobre el aparato.

19. Antes de conectar eléctricamente el aparato, asegúrese de que los datos de la placa correspondan a los de la red de distribución eléctrica. La toma de corriente debe ser equipada con un sistema de Tierra. La placa se coloca en los lados del aparato.

20. Después instalarlo según la instrucciones del fabricante. Una instalación errónea puede causar daos a personas, animales o cosas, de las cuales el fabricante no podrá ser considerado responsable.

21. En caso de incompatibilidad entre la toma y la clavija del aparato, haga sustituir la toma con otra del tipo adecuado por personal profesionalmente cualificado; éste debe verificar que la sección de los cables de la toma sea adecuada a la potencia del aparato. En general se desaconseja el uso de adaptadores y/o alargaderas; si su uso es indispensable, deben responder a las normas de seguridad vigentes y su capacidad de corriente (A) no debe ser inferior a la absorción máxima del aparato.


22. Este aparato no está diseñado para funcionar con temporizadores externos o con sistemas de mando a distancia separados.
23. Utilizar el aparato siempre y solamente en posición vertical.
24. No obstruya en modo alguno las rejillas de entrada y salida aire.
25. No inserta objetos extraños en las rejillas de entrada y salida aire ya que hay el riesgo de descargas eléctricas, incendio o daños al aparato.
26. No utilice el aparato:
 - con las manos mojadas o húmedas;
 - descalzo.
27. No tire del cable de alimentación o del aparato para desconectar la clavija de la toma de corriente.
28. No utilice este aparato bajo la luz directa del sol o cerca de fuentes de calor (estufa, calefactor o radiador).
29. No utilice el aparato cerca de aparatos de gas (Fig.2).
30. Siempre coloque el aparato sobre una superficie estable, llana y nivelada.
31. Deje por lo menos 30cm de espacio libre a los lados y detrás del aparato deje por lo menos 30cm de espacio libre sobre el aparato (Fig.1).
32. No coloque el aparato cerca de una toma de corriente (Fig.3).
33. La toma de corriente debe ser fácilmente accesible para poder desconectar fácilmente la clavija en caso de emergencia.
34. No manipule la clavija con las manos mojadas.
35. Evite plegar excesivamente, retorcer, tirar o dañar el cable de alimentación.
36. No extienda el cable debajo de alfombras, mandas o guías. No coloque el cable en zonas de paso para evitar tropiezos.
37. Desconecte el cable cuando la unidad no se utiliza por un período prolongado y/o cuando no hay nadie en casa.
38. No utilice el aparato en lugares particularmente húmedos (servicio, cocina, etc.).
39. No utilice el aparato en el exterior o sobre superficies mojadas. Evite la caída de líquidos sobre el aparato. No utilice el aparato cerca de lavamanos o grifos.
40. No sumerge el aparato en agua o en otros líquidos.
41. Limpie el aparato con un paño húmedo; no utilice productos o materiales abrasivos. Para la limpieza de los filtros, ver el párrafo correspondiente.

42. La causa más común de recalentamiento es el depósito de polvo o pelusa en el aparato. Remover regularmente estas acumulaciones desconectando el aparato de la toma de corriente y succionando las rejillas.
43. No utilice el aparato en lugares con considerables cambios de temperatura ya que se podría formar condensación en el propio aparato.
44. Instalar el aparato al menos a 2 metros de los otros aparatos electrónicos (televisión, radio, computadora, reproductor de dvd, etc.) para evitar interferencias (Fig.4).
45. No utilice el aparato si, en el lugar, si recientemente ha sido rociado insecticida de gas o en presencia de di inciensos encendidos, vapores químicos o residuos oleaginosos.
46. No utilice el aparato si los filtros no está posicionados correctamente.
47. El desmontaje, la reparación o la o reconversión por parte de una persona no autorizada podría causar daños graves y anulará la garantía del fabricante.
48. No utilice el aparato en caso de avería o de malo funcionamiento, si el cable o el enchufe están dañados, o si se dejó caer o si está dañado en cualquier modo. Apagar el aparato, desconectar el enchufe de la toma de corriente y dejarlo controlar por personal profesionalmente cualificado.
49. No desmonte ni modifique el aparato.
50. Reparar el aparato por si mismos es extremadamente peligroso.
51. En caso de que se decida no utilizar más un aparato de este tipo se recomienda hacerlo inutilizable cortando el cable de alimentación, después de haber quitado el enchufe de la toma de corriente. Se recomienda además inutilizar las partes del aparato susceptibles de constituir un peligro, especialmente para los niños que podrían usar el aparato fuera de uso para sus propios juegos.
52. Para descongelar y limpiar el aparato, no utilice herramientas diferentes de las recomendadas por el constructor.
53. El aparato está equipado con un protector térmico que preserva el circuito impreso en el caso de sobrettemperatura. En el caso de que intervenga esta protección, desconecte el enchufe de la toma de corriente y espere que el aparato se enfríe completamente (al menos 20÷30 minutos) y entonces vuelva a conectar el enchufe a la toma de corriente y reinicie el aparato. Si el aparato no se reinicia, desconecte el enchufe de la toma de corriente y contacte a un Centro de Asistencia.
54. No libere R-410A en la atmósfera: el R-410A es un gas invernadero fluorado, citado en el Protocolo de Kyoto, con un Potencial de Calentamiento Global (GWP) = 2088.
55. Este producto contiene gas refrigerante R-410A con características de ODP=0 (potencial de empobrecimiento del ozono).

0.4 - USO PREVISTO

- El climatizador se debe utilizar exclusivamente para producir aire caliente* o frío o para deshumidificar el aire (a discreción) con el sólo propósito de hacer confortable la temperatura en el ambiente.
- Este aparato se destinará sólo para un utilizo doméstico o similares.
- Un uso inapropiado del aparato con eventuales daños causados a personas, cosas o animales liberan OLIMPIA SPLENDID de cualquiera responsabilidad.

0.5 - ZONAS DE RIESGO

- Los climatizadores no se deben instalar en ambientes con gases inflamables o explosivos ni en lugares muy húmedos (lavanderías, invernaderos, etc.); tampoco deben instalarse en locales donde haya otras máquinas que sean una fuerte fuente de calor ni cerca de una fuente de agua salada o sulfurosa.
-  • **NO** use gases, gasolina u otros líquidos inflamables cerca del climatizador.
- Sólo utilicen los componentes suministrados (vea párrafo 1.1). El uso de partes que no son estándar podría causar perdidas de agua, descargas eléctricas, incendios y lesiones o daños a cosas.



Este aparato debe utilizarse únicamente según las especificaciones indicadas en el presente manual. Un uso diferente del especificado puede comportar graves accidentes.

EL FABRICANTE DECLINA TODA RESPONSABILIDAD POR CUALQUIER DAÑO PERSONAL O MATERIAL OCASIONADO POR EL INCUMPLIMIENTO DE LAS NORMAS ILUSTRADAS EN ESTE MANUAL.

* Sólo para versión con bomba de calor

1 - DESCRIPCIÓN DEL APARATO

1.1 - LISTA DE COMPONENTES SUMINISTRADOS DE SERIE (Fig.5)

El aparato se embala singularmente en embalajes de cartón.

El embalaje se puede transportar a mano por dos operadores o cargar en una carretilla.

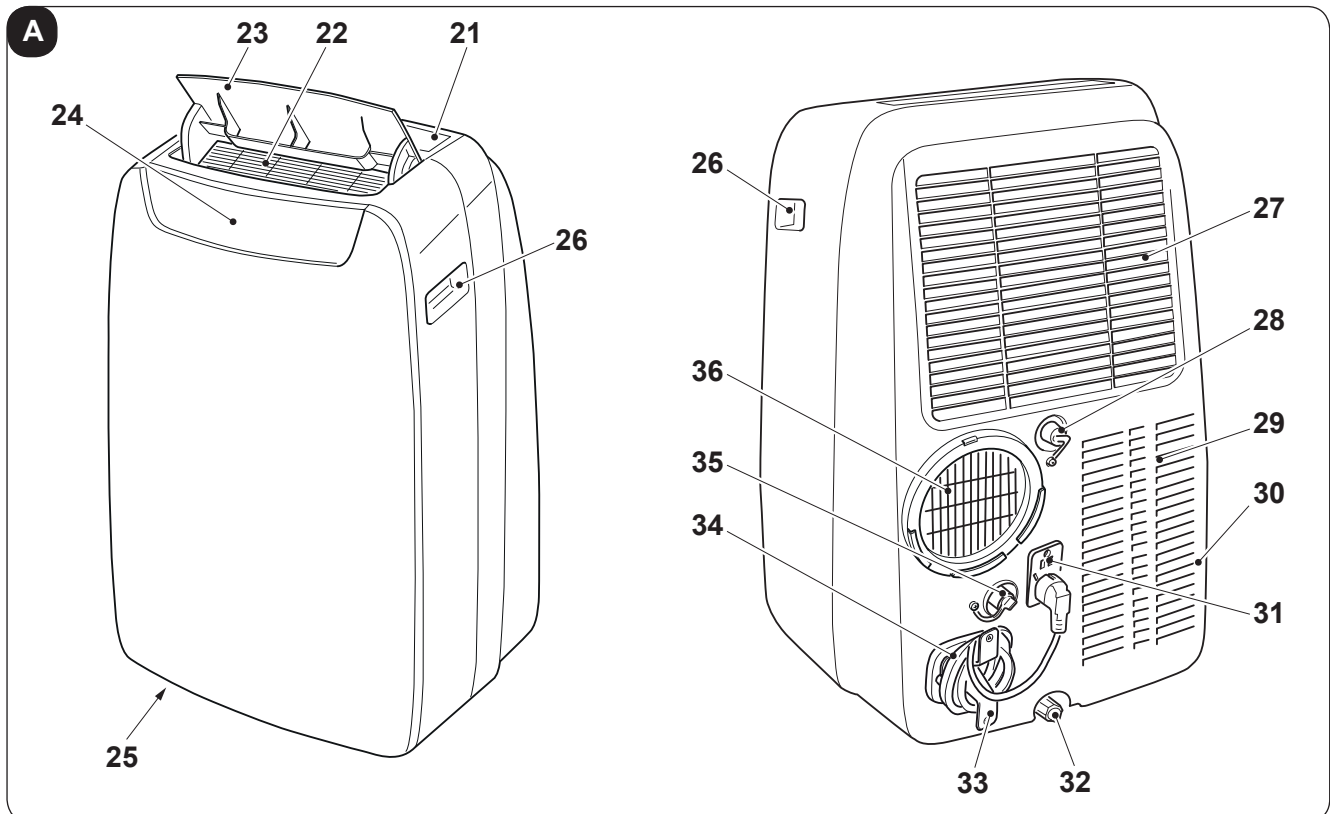


Almacene el embalaje singularmente; no apílelo.

1. Manguera de descarga de aire (modo refrigeración y automático)
2. Terminal de tubo flexible lado máquina
3. Terminal de tubo flexible para instalación SLIDER
4. SLIDER para instalación con ventana corredera/persiana enrollable
5. Pestaña + tornillos de bloqueo ventana
6. Terminal de tubo flexible para instalación fija
7. Brida para instalación fija
8. Aislante para instalación SLIDER
9. Aislante para instalación SLIDER
10. Tacos para brida de instalación fija
11. Control remoto
12. Tubo de descarga de condensación (modo solo deshumidificación)
13. Terminal adaptador para tubo de drenaje de la condensación
14. Manual
15. Filtros adicionales

1.2 - IDENTIFICACIÓN DE LOS COMPONENTES PRINCIPALES (Fig.A)

21. Panel de mandos
22. Rejilla de salida aire
23. Flap
24. Receptor IR del control remoto
25. Ruedas
26. Empuñadura
27. Rejilla de filtración aire
- 27a. Filtro del aire
28. Tapa de drenaje del agua de condensación (para uso como deshumidificador)
29. Rejilla de entrada aire
30. Filtro del aire extraíble
31. Perforación para alojamiento enchufe
32. Tapa para vaciamiento del agua de condensación (en caso de transporte, mantenimiento o acumulación excesiva de agua)
33. Enrollacable
34. Cable de alimentación eléctrica
35. Tapa de drenaje del agua de condensación (sólo para versión con bomba de calor)
36. Rejilla de salida aire



2 - INSTALACIÓN

2.1 - TRANSPORTE DEL ACONDICIONADOR

- El transporte y la manipulación del aparato deben ocurrir en posición vertical.

En caso de transporte en posición horizontal esperar al menos una hora antes de ponerlo en marcha.

- Antes de mover o transportar el aparato, descargue completamente el agua de condensación obrando tal como se describe en el párrafo 4.2.



ADVERTENCIA

Transporte del acondicionador sobre pavimentos delicados (por ejemplo, pavimentos de madera):

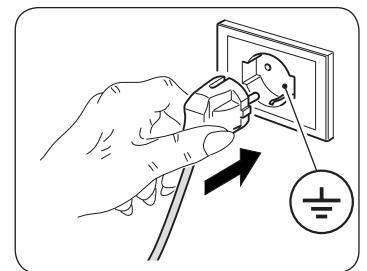
- **Descargue completamente el agua de condensación.**
- **Preste particular atención durante los desplazamientos del acondicionador, ya que las ruedas podrían marcar el pavimento. A pesar de ser pivotantes y de material rígido, las ruedas pueden estar sucias o deterioradas por el uso. Se recomienda averiguar que las ruedas estén limpias y que se muevan libremente.**

2.2 - ADVERTENCIAS



La falta de respeto de lo que sigue podría causar daños al aparato.

- Instale el acondicionador en superficies llanas, estables y al suelo.
- Sólo conecte el acondicionador a tomas de corriente equipadas con conexión a tierra.
- Asegúrese de que cortinas u otros objetos no obstruyan los filtros de aspiración del aire (Fig.7).
- Asegúrese de que se mantenga una distancia mínima de 30 cm entre el acondicionador y las figuras adyacentes (Fig.1).
- El aparato siempre debe colocarse en uso teniendo cuidado de que no existan obstáculos para la aspiración y las salidas del aire.
- El acondicionador no tiene que ser utilizado en locales destinados a lavandería.
- Instalar el acondicionador sólo en locales secos.
- El acondicionador no debe encenderse en presencia de materiales, vapores o líquidos peligrosos.
- Limpie los filtros del aire al menos una vez por semana.



2.3 - INSTALACIÓN MÓVIL

El acondicionador debe ser instalado en un ambiente adecuado.

Se recomienda reducir la radiación solar a través de toldos, cortinas, persianas venecianas, y mantener las puertas y ventanas cerradas.

- a. Poner en posición el acondicionador delante de una ventana o de una puerta ventana.
- b. Posicione el terminal lado máquina (2) en el tubo flexible (1) tal como se muestra en la Fig.8.
- c. Posicione el terminal (3) en el lado opuesto del tubo flexible (1) (Fig.8).
- d. Inserta el terminal lado máquina (2) en la boquilla de salida del aire del aparato (36) tal como se muestra en la figura 9.
- e. Posicione el terminal (3) de modo que el aire salga hacia el exterior (Fig.10)
- f. En el caso de que se disponga de una ventana deslizante (vertical o horizontal) o de un toldo, es posible utilizar el "SLIDER KIT" (4) suministrado que permite una instalación más eficiente. Para instalar con KIT SLIDER, proceda tal como se ilustra en las figuras 11 y 12.
- g. Aplique la junta adhesiva (8) (Fig.12)
- h. Posicione el "SLIDER KIT" (4) y adáptelo (Fig.12)
- i. Posicione el tubo flexible (1) y aplique la junta (9) (Fig.12)
- l. Posicione la pestaña (5) si deseado (Fig.12)



Extiendan el tubo sólo lo estrictamente necesario, de modo que el conducto del aire permanezca entre los batientes del bastidor.

2.4 - INSTALACIÓN FIJA

El acondicionador puede ser instalado incluso con los orificios fijos en cristales o en la pared.

El paso del aire no debe ser obstaculizado por rejillas de protección u otros objetos.

Si existieran protecciones deben tener una sección total para el paso del aire no inferior a 140 cm².

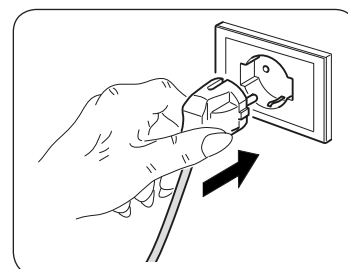
- a. Posicione el terminal lado máquina (2) en el tubo flexible (1) tal como se muestra en la Fig.8.
- b. Haga un agujero con un diámetro de 127 mm en el vidrio o en la pared a una altura entre los 300 y 1200 mm desde el suelo (Fig.13).
- c. Posicione el terminal (6) en el agujero de la pared y marque los puntos de perforación (Fig.14).
- d. Quite el terminal (6) y haga agujeros de 6 mm (Fig.14).
- e. Inserta los tarugos (10) suministrados en los agujeros (Fig.14).
- f. Posicione el terminal (6) en el agujero de la pared y fíjelo con los tornillos (10) suministrados (Fig.15).
- g. Inserte el terminal lado máquina (2) en la boquilla de salida del aire del aparato (36) tal como se muestra en la figura 9.
- h. Conecte la otra extremidad del tubo flexible (1) al terminal (6) (Fig.16).
- i. Inserte la brida (7) en el terminal (6) y cierre la tapa (7a) cuando el aparato no está funcionando (Fig.16).

2.5 - CONEXIÓN ELÉCTRICA

El aparato está dotado de un cable de alimentación con clavija.

Antes de conectar el acondicionador, verifique que:

- los valores de tensión y frecuencia de alimentación respeten lo especificado en la placa del aparato;
- la línea de alimentación esté dotada de una eficaz conexión a tierra y esté correctamente dimensionada para la máxima absorción del acondicionador;



- La red de alimentación del aparato debe tener un adecuado dispositivo de desconexión omnipolar, en conformidad con las normas nacionales de instalación.
- el aparato esté alimentado exclusivamente con una toma compatible con la clavija suministrada.



ADVERTENCIA

La eventual sustitución del cable de alimentación debe ser realizada exclusivamente por el servicio de asistencia técnica Olimpia Splendid o por personal con cualificación similar.

2.6 - DRENAJE

Según el modo de uso del aparato, es necesario conectar el tubo de descarga de la condensación.

2.6.a - Uso como deshumidificador

Para un uso correcto del aparato, obre como sigue (figuras 29 y 32):

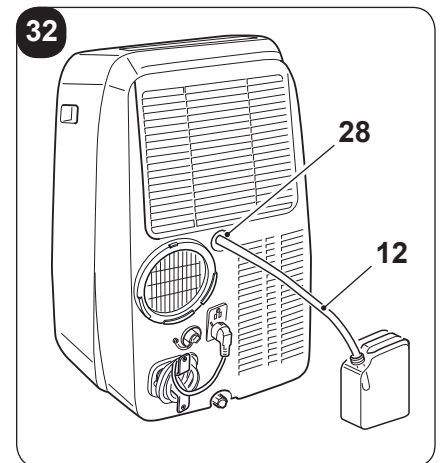
- Quite la tapa (28).
- Inserta el tubo suministrado (12) en el racor.



Asegúrese de que la parte terminal del tubo de descarga (12) esté posicionada en un pozo de descarga o en un recipiente.

Asegúrese de que el tubo (12) no esté obstruido.

- Si necesario, aplique el terminal (13) al tubo de descarga de la condensación (12).



2.6.b - Uso como bomba de calor (sólo para la versión adecuada)

Para el uso correcto del aparato, obre como sigue (figuras 30 y 33):

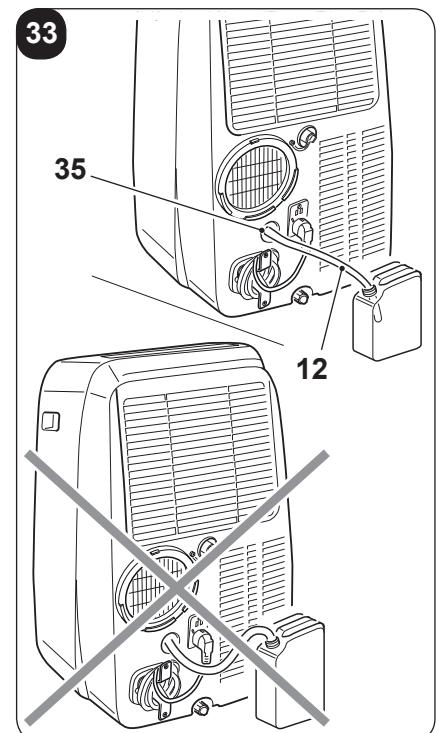
- Quite la tapa (35).
- Inserta el tubo suministrado (12) en el racor.



Asegúrese de que la parte terminal del tubo de descarga (12) esté posicionada en un pozo de descarga o en un recipiente.

Asegúrese de que el tubo (12) no esté obstruido.

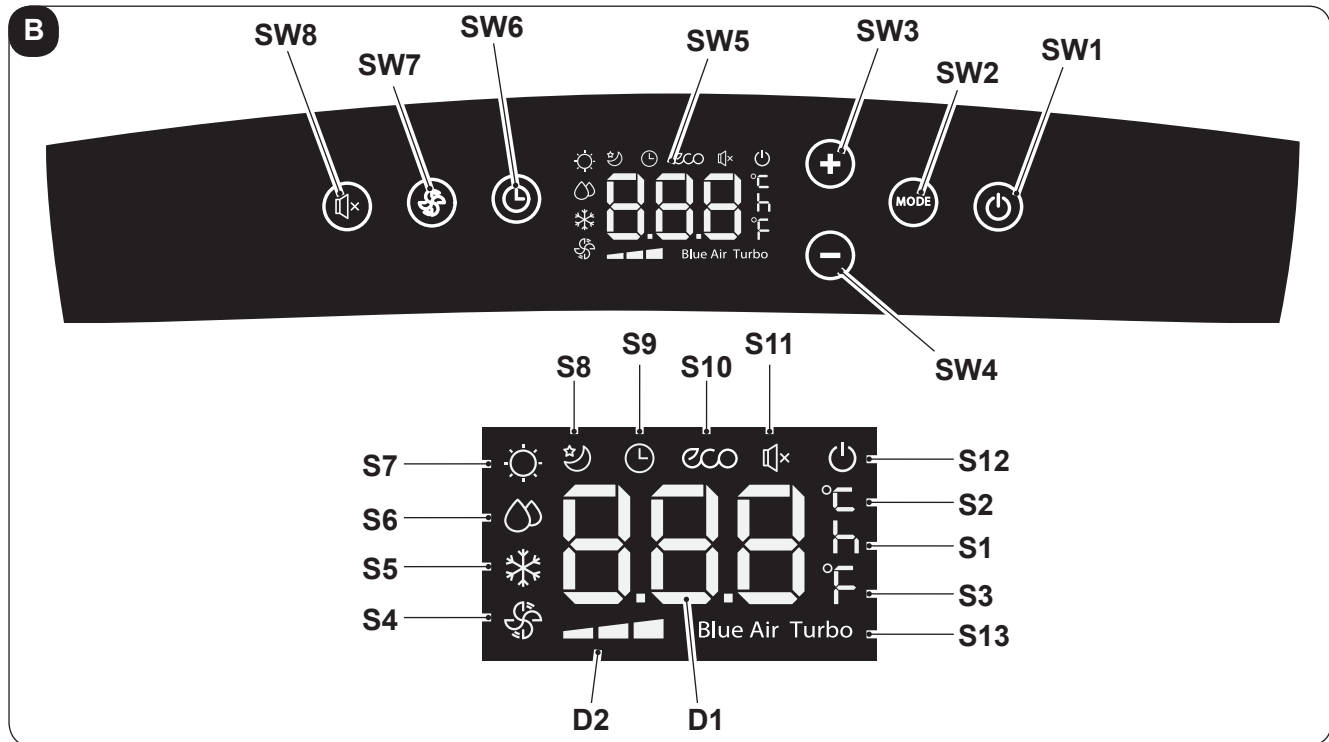
- Si necesario, aplique el terminal (13) al tubo de descarga de la condensación (12).






3 - USO DEL APARATO

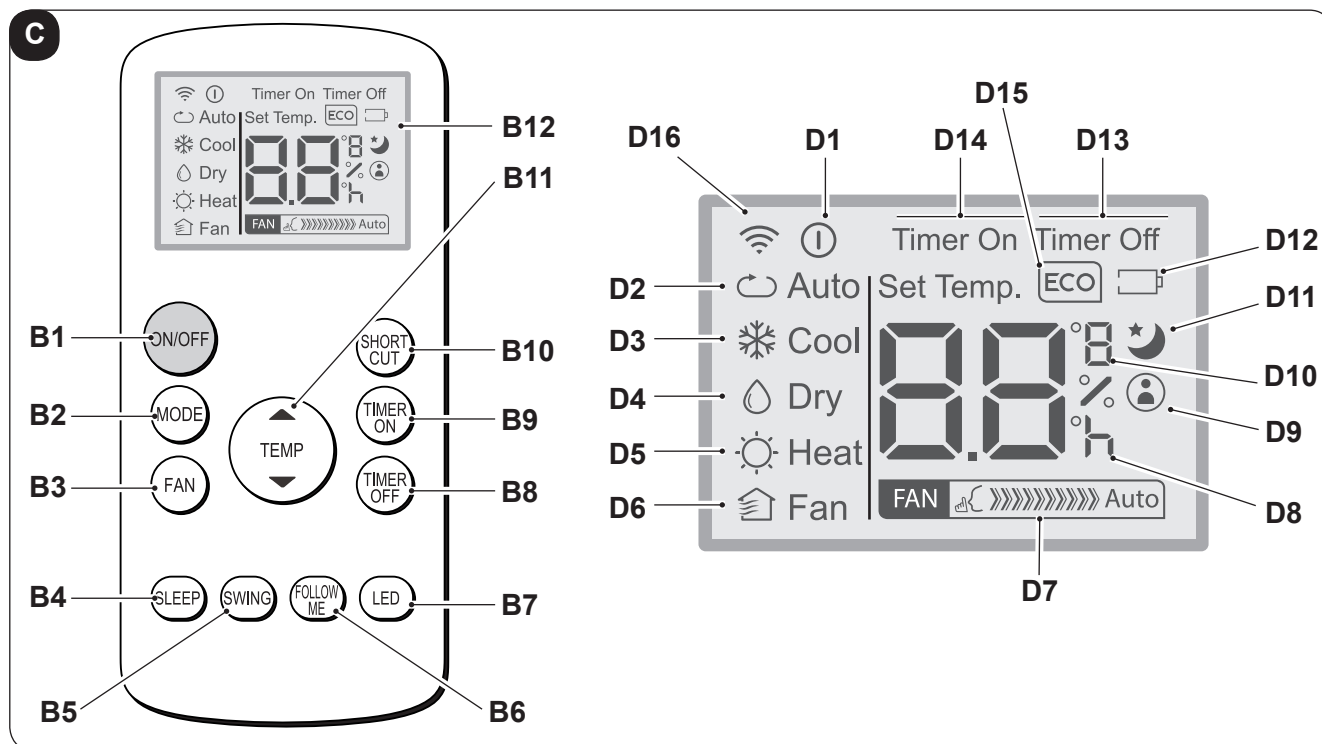
Los modos de funcionamiento del acondicionador se pueden seleccionar tanto a través del control remoto como desde el panel de mandos a bordo del acondicionador.
La recepción de la función seleccionada se confirma por la emisión de un “bip” por el zumbador.

3.1 - SÍMBOLOS Y TECLAS DEL PANEL DE MANDOS (Fig.B)



- **SW1:** ON/Stand-by;
- **SW2:** Selección del modo de funcionamiento
ECO - Blue air (auto) =>
=> sólo ventilador =>
=> deshumidificación =>
=> calentamiento
(sólo activa en la versión con bomba de calor)
=> enfriamiento =>
=> enfriamiento turbo => ...
- **SW3:** Aumento temperatura/retraso
- **SW4:** Disminución temperatura/retraso
- **SW5:** Pantalla
- **SW6:** Confirmación/anulación retraso de arranque/
apagamiento de la unidad
- **SW7:** Selección velocidad del ventilador
Velocidad mínima  =>
=> Velocidad media  =>
=> Velocidad máxima  =>
=> Blue air (auto)
- **SW8:** Selección función “SILENT”
- **D1:** Temperatura configurada/Temporizador
- **D2:** Indicación velocidad del ventilador (vea “SW7”)
- **S1:** Indicador de la hora
- **S2:** Indicador de la temperatura °C
- **S3:** Indicador de la temperatura °F
- **S4:** Modo sólo ventilador
- **S5:** Modo enfriamiento
- **S6:** Modo deshumidificación
- **S7:** Modo calentamiento (sólo activa en la versión con bomba de calor)
- **S8:** Modo de suspensión
- **S9:** Modo temporizador (arranque/apagamiento programado)
- **S10:** Modo automático (ECO)
- **S11:** Función “silent” activa
- **S12:** Indicador aparato alimentado
- **S13:** Función Turbo

3.2 - TECLAS DEL CONTROL REMOTO (Fig.C)



- **B1:** Tecla on/off: arranque/apagamiento del aparato
 - Símbolo (D1) encendido: aparato en Marcha
 - Símbolo (D2) apagado: aparato en Stand-by
- **B2:** Selección modo de funcionamiento
 AUTO (Automático) ECO =>
 => enfriamiento =>
 => deshumidificación =>
 => calentamiento (sólo activa en la versión con bomba de calor) =>
 => sólo ventilador => ...
- **B3:** Selección de la velocidad del ventilador
 Velocidad mínima **FAN** >>>> =>
 => Velocidad media **FAN** >>>>>> =>
 => Velocidad máxima **FAN** >>>>>>>>> =>
 => Auto **FAN** Auto
- **B4:** Activación modo de suspensión (símbolo 10 encendido)
- **B5:** Activación/desactivación oscilación del flap
- **B6:** Activación/desactivación función FOLLOW ME
- **B7:** Activa/desactiva el display en el panel de mandos de la máquina
- **B8:** Regulación apagado programado unidad
- **B9:** Configuración del encendido programado de la unidad
- **B10:** Atajo (SHORT CUT)
- **B11:** Aumento temperatura ▲
 Reducción temperatura ▼
- **B12:** Pantalla
- **D1:** Indicador aparato en marcha
- **D2:** Modo automático (ECO)
- **D3:** Modo enfriamiento (COOL)
- **D4:** Modo deshumidificación (DRY)
- **D5:** Modo calentamiento (HEAT) (sólo activa en la versión con bomba de calor)
- **D6:** Modo sólo ventilador (FAN)
- **D7:** Indicación velocidad del ventilador (vea "B3")
- **D8:** Indicador "hora" de arranque/apagamiento programado
- **D9:** Indicador función "FOLLOW ME" activa
- **D10:** Indicador de la temperatura °C (F)
- **D11:** Indicador función "SLEEP" activa
- **D12:** Indicador batería del control remoto baja
- **D13:** Indicador función "TIME OFF" activa
- **D14:** Indicador función "TIME ON" activa
- **D15:** Indicador función "ECO" activa
- **D16:** Señal de transmisión del control remoto

3.3 - USO DEL CONTROL REMOTO

El control remoto suministrado con el acondicionador es la herramienta que Os permite utilizar el aparato de la manera más cómoda.

Es el instrumento que hay que manejar con cuidado y particularmente hay que:

- Evitar mojarlo (no hay que limpiarlo con agua o dejarlo a la intemperie).
- Evitar que se caiga al suelo o se golpee violentamente.
- Evitar la exposición directa a los rayos solares.



- **El control remoto funciona con la tecnología del infrarrojo.**
- **Durante el uso no interponer obstáculos entre el control remoto y el acondicionador.**
- **En caso en que en el ambiente sean utilizados otros aparatos dotados de control remoto (TV, grupos estéreo, etc.), se podrían producir interferencias.**
- **Las lámparas electrónicas y fluorescentes pueden interferir en la transmisión entre el control remoto y el acondicionador.**
- **Extraer las pilas de alimentación si el control remoto no es utilizado durante largos períodos de tiempo.**

3.3.a - Inserción de las baterías

Las baterías se suministran con el aparato.

Para colocar correctamente las baterías:


- a. Extraiga la tapa del compartimento de las baterías (Fig.17).
- b. Coloque las baterías en su compartimento (Fig.17).



Respetar escrupulosamente las polaridades indicadas en el fondo del espacio.

- c. Cierre correctamente la tapa (Fig.18).

3.3.b - Substitución de las pilas

Las baterías deben sustituirse cuando se visualiza el icono  (D12) en la pantalla.



Siempre utilice baterías nuevas.

El uso de baterías viejas o de tipo diferente puede hacer que el control remoto funcione mal.

- El control remoto utiliza dos baterías alcalinas en seco de 1,5 V (tipo AAA.) (Fig.17).



Una vez descargadas, ambas pilas tienen que ser substituidas y eliminadas en los apropiados centros de recolección o como está previsto por las normativas locales.

- Si no va a utilizar el control remoto durante varias semanas o más, quite las baterías. Eventuales pérdidas de las baterías podrían dañar el control remoto.



No recargue ni desarme las baterías. No arroje las baterías al fuego. Pueden quemarse o explotar.



Si el líquido de las baterías cae sobre la piel o la ropa, lave con abundante agua limpia. No utilice el control remoto con baterías que hayan sufrido pérdidas. Los productos químicos de las baterías pueden provocar quemaduras u otros riesgos para la salud.

3.3.c - Posición del control remoto

- Mantenga el control remoto en una posición desde la cual la señal pueda llegar al receptor (24) del aparato (distancia máxima unos 8 metros - con las baterías cargadas) (Fig.28). La presencia de obstáculos (muebles, cortinas, paredes, etc.) entre el control remoto y el aparato reduce el alcance del control remoto.

3.4 USO DEL APARATO

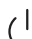
Obre como sigue para utilizar el aparato.



Para evitar posibles daños al compresor, cada arranque se retrasa 3 minutos con respecto al último apagamiento.

3.4.a Operaciones preliminares






- **Posicione el aparato en una superficie estable, no inclinada, al menos a 30 cm. desde la pared o desde cualquier otro objeto, para que se garantice la correcta circulación del aire. Colóquelo en una superficie resistente al agua ya que el posible escape de agua podría dañar los muebles o el suelo.**
- **No coloque el aparato directamente en alfombras, toallas, mantas u otras superficies absorbentes.**
- **Inserte el enchufe en la toma de corriente; el aparato emite un “bip” y en la pantalla se visualizarán el icono  y la temperatura ambiente en °C.**



Antes de conectar eléctricamente el aparato, asegúrese de que los datos de la etiqueta correspondan con los de la red de distribución eléctrica.



3.4.b Arranque/apagamiento aparato

- Para iniciar el aparato, presione la tecla “**ON/OFF**” en el control remoto o la tecla  en el panel de mandos.
- Un bip señala que el aparato está funcionando y el flap (23) se levanta.
- En el panel de mandos se enciende el icono .
- Si el arranque se efectuó con el control remoto, en la pantalla del mismo se visualiza el icono .
- En caso de una prolongada parada del aparato, esto se debe reiniciar quitando el enchufe de la toma de corriente, esperando unos 5÷10 segundos y volviendo a insertarlo; un bip señala que el aparato está listo para uso.


3.5 MODO AUTO (Automático)

- Seleccionando este modo, el aparato activa automáticamente las funciones ENFRIAMIENTO o CALENTAMIENTO (sólo para la versión con bomba de calor) o la función VENTILADOR según la temperatura ambiente y la configurada.
La temperatura ambiente se controla continuamente de modo que se obtenga un óptimo confort en la habitación climatizada.
- Este modo se puede seleccionar presionando una o más veces la tecla “**MODE**” (en el control remoto o en el panel de mandos) hasta cuando los específicos iconos **ECO** y **Blue Air** se visualizan en la pantalla del panel de mandos y/o el icono **Auto** se visualiza en la pantalla del control remoto.
- En modo **AUTO** no es posible seleccionar la velocidad del ventilador.

3.6 MODO ENFRIAMIENTO (COOL)



- Seleccionando este modo, el aparato deshumidifica y enfría el ambiente.
Este modo se puede seleccionar presionando una o más veces la tecla “**MODE**” (en el control remoto o en el panel de mandos) hasta cuando el específico icono  se visualiza en la pantalla.
- En este modo el ventilador siempre está encendido y es posible seleccionar la velocidad deseada presionando la tecla “**FAN**” en el control remoto o la tecla  en el panel de mandos.
La velocidad del ventilador se muestra tal como se indica en los párrafos “3.1” (punto SW7) y “3.2” (punto B3).
- El punto de ajuste de la temperatura está comprendido entre 17°C y 30°C (de 62°F y 86°F) con variaciones de 1°C y puede configurarse con las teclas +/- en el panel de mandos o con las teclas ▲ ▼ en el control remoto.
- Después de un cierto tiempo (máximo tres minutos) desde la activación del modo de funcionamiento, el compresor se inicia y el aparato empieza a suministrar aire frío.

3.7 MODO ENFRIAMIENTO TURBO




- **Esta función sólo puede activarse desde el panel de mandos del aparato.**
- Este modo se puede seleccionar presionando una o más veces la tecla “**MODE**” en el panel de mandos hasta cuando se visualizan los iconos  y “**Turbo**” en la pantalla.
 - Esta función configura el aparato directamente en modo enfriamiento con temperatura configurada a 17°C y velocidad máxima del ventilador de manera que se alcance la temperatura configurada más rápidamente.

- c. En este modo no es posible seleccionar la velocidad del ventilador ni tampoco la temperatura.
- d. Para apagar la función, presione la tecla “**MODE**” en el panel de mandos o apague el aparato.



3.8 MODO DESHUMIDIFICACIÓN (DRY)

- a. Seleccionando este modo, el aparato deshumidifica el ambiente.
Este modo se puede seleccionar presionando una o más veces la tecla “**MODE**” (en el control remoto o en el panel de mandos) hasta cuando el específico icono no se visualiza:
-  en el panel de mandos -  en la pantalla del control remoto.
- b. En modo **DRY**, no es posible seleccionar la velocidad del ventilador ni tampoco ajustar la temperatura. El motor del ventilador funciona a velocidad baja.
- c. Mantenga las puertas y ventanas cerradas para que se obtenga el mejor efecto deshumidificante. **No** posicione el tubo de expulsión del aire en una ventana.
- d. Conecte el tubo para la descarga de la condensación (párrafo 2.6.a)

3.9 MODO VENTILACIÓN (FAN)

- a. Seleccionando este modo, el aparato no ejerza ninguna acción ni sobre la temperatura ni sobre la humedad del aire en el ambiente, sino sólo la mantiene en circulación.
- b. Este modo se puede seleccionar presionando una o más veces la tecla “**MODE**” (en el control remoto o en el panel de mandos) hasta cuando el específico icono se visualiza en la pantalla del panel de mandos y/o del control remoto.
-  icono en el panel de mandos -  icono en la pantalla del control remoto
- c. En este modo el ventilador siempre está encendido y es posible seleccionar la velocidad deseada presionando la tecla “**FAN**” en el control remoto o la tecla  en el panel de mandos.
- d. La velocidad del ventilador se muestra en la pantalla tal como se indica en los párrafos “3.1” (punto SW7) y “3.2” (punto D7).





3.10 MODO CALENTAMIENTO (HEAT) (sólo para versión con bomba de calor)

- a. Seleccionando este modo, el aparato calienta el ambiente.
- b. Este modo se puede seleccionar presionando una o más veces la tecla “**MODE**” (en el control remoto o en el panel de mandos) hasta cuando el específico icono  se visualiza en la pantalla.
- c. En este modo el ventilador siempre está encendido y es posible seleccionar la velocidad deseada presionando la tecla “**FAN**” en el control remoto o la tecla  en el panel de mandos.
La velocidad del ventilador se muestra tal como se indica en los párrafos “3.1” (punto SW7) y “3.2” (punto D7).
- d. El punto de ajuste de la temperatura está comprendido entre 17°C y 30°C (de 62 F y 86 F) con variaciones de 1°C y puede configurarse con las teclas +/- en el panel de mandos o con las teclas ▲ ▼ en el control remoto.
- e. Después de un cierto tiempo (máximo tres minutos) desde la activación del modo de funcionamiento, la bomba de calor se inicia y el aparato empieza a suministrar aire caliente.
- f. Conecte el tubo para la descarga de la condensación (párrafo 2.6.b).





3.11 MODO TEMPORIZADOR

- a. Este modo permite programar el arranque o el apagamiento del aparato.
- b. El tiempo de retraso puede configurarse, activarse y anularse tanto desde el control remoto, como desde el panel de mandos.

3.11.a Arranque programado

- a. Cuando el aparato está en stand by:
 - En el panel de mandos: - presione la tecla  y configure el tiempo de retraso de arranque con las teclas +/-.
 - Para activar la función, presione la tecla  o espere unos 5 segundos para que el tiempo configurado en la pantalla termine de parpadear (la pantalla vuelve a visualizar la temperatura ambiente).
El icono  se enciende.
 - En el control remoto: - presione la tecla "**TIMER ON**" para entrar en la función y entonces presione una o más veces la tecla "**TIMER ON**" hasta configurar el tiempo de retraso de arranque.
 - Dirija el control remoto hacia el aparato; un bip confirma la activación de la función.
 - El icono  en el panel de mandos y la indicación "**Timer On**" en la pantalla del control remoto se encienden.
- b. Transcurrido el tiempo configurado, el aparato se inicia con las mismas configuraciones (modo, temperatura y velocidad de ventilación) que tenía antes de apagarlo.
- c. El tiempo se puede configurar con pasos de 30 minutos hasta 10 horas y con pasos de 60 minutos de 10 a 24 horas.
- d. Iniciando el aparato o ajustando la configuración del temporizador en "**0.0h**", la función de arranque programado será eliminada.

3.11.b Apagamiento programado

- a. Cuando el aparato está en marcha, configure el tiempo de apagamiento retrasado.
 - En el panel de mandos: - presione la tecla  y configure el tiempo de retraso de apagamiento con las teclas +/-.
 - Para activar la función, presione la tecla  o espere unos 5 segundos para que el tiempo configurado en la pantalla termine de parpadear (la pantalla vuelve a visualizar la temperatura ambiente).
El icono  se enciende.
 - En el control remoto: - presione la tecla "**TIMER Off**" para entrar en la función y entonces presione una o más veces la tecla "**TIMER Off**" hasta configurar el tiempo de retraso de apagamiento.
 - Dirija el control remoto hacia el aparato; un bip confirma la activación de la función.
 - El icono  en el panel de mandos y la indicación "**Timer Off**" en la pantalla del control remoto se encienden.


- b. Transcurrido el tiempo configurado, el aparato se apaga.
- c. El tiempo se puede configurar con pasos de 30 minutos hasta 10 horas y con pasos de 60 minutos de 10 a 24 horas.
- d. Apagando el aparato o ajustando la configuración del temporizador en “0.0h”, la función de apagamiento programado será eliminada.

3.12 OTRAS FUNCIONES

3.12.a Función SILENT

- **Esta función sólo puede activarse desde el panel de mandos del aparato y sólo está disponible si la temperatura de la habitación está comprendida entre 21 y 25 °C (71 y 77 F).**
- a. Con el aparato en marcha, presione la tecla SW8 (altoparlante); el símbolo altoparlante se muestra. La velocidad de ventilación se configura automáticamente al mínimo.
- b. Presione la tecla una otra vez para desactivar la función.

3.12.b Función SLEEP

- **Esta función sólo puede activarse desde el control remoto.**
- **Esta función no es disponible en los modos de Deshumidificación (DRY) y Sólo Ventilación (FAN).**
- a. Con el aparato en marcha, presione la tecla “SLEEP” en el control remoto.
En el panel de mandos y en la pantalla del control remoto se visualiza el icono .
El aparato disminuirá (en enfriamiento) o aumentará (en calentamiento) la temperatura configurada de 1°C (1 o 2 F) por 30 minutos.
- b. Luego, el aparato disminuirá (en enfriamiento) o aumentará (en calentamiento) la temperatura configurada de 1°C (1 o 2 F) por otros 30 minutos.
- c. Esta temperatura se mantendrá por 7 horas antes que el aparato vuelva a la temperatura originariamente seleccionada. Transcurrido este tiempo, el aparato volverá a funcionar como originariamente programado.
- d. Para interrumpir la función, presione la tecla “SLEEP” en el control remoto; se apaga el icono en el panel de mandos y en la pantalla del control remoto.

3.12.c Función FOLLOW ME

- **Esta función sólo puede activarse desde el control remoto.**
- **Esta función no es disponible en los modos de Deshumidificación (DRY) y Sólo Ventilación (FAN).**

En esta función, el control remoto actúa como termostato.

- a. Con el aparato en marcha, presione la tecla “FOLLOW ME” en el control remoto.
- b. Muévase con el control remoto en un área de la habitación diferente de donde es posicionado el aparato (distancia máxima 7÷8 metros) direccionándolo hacia el mismo y asegurándose de que no existan obstáculos entre ellos.
- c. Configure la temperatura deseada en el control remoto; el aparato funciona hasta llevar la temperatura del área donde está posicionado el control remoto al valor configurado en lo mismo.
- d. El control remoto envía un señal al aparato y si no recibe una respuesta dentro de un tiempo máximo de 7 minutos, la función se desactiva.
- e. Para apagar la función, presione la tecla “FOLLOW ME” en el control remoto o apague el aparato.

3.12.d Configuración unidad de medida de la temperatura

Es posible configurar la unidad de medida de la temperatura ambiente y de la configurada eligiendo entre °C (Celsius) o F (Fahrenheit).

Obre como sigue:

- **En el panel de mandos** presione contemporáneamente las teclas + y - por unos tres segundos. En la pantalla del panel de mandos se visualiza la unidad de medida deseada.
- **En el control remoto** mantenga presionada la tecla central **TEMP** por unos tres segundos. En la pantalla del control remoto se visualiza la unidad de medida deseada.



La variación de la unidad de medida debe efectuarse tanto en el panel de mandos como en el control remoto.

3.12.e Direccionamiento del flujo del aire

- **Esta función sólo puede activarse desde el control remoto.**
 - a. Cuando se inicia el aparato, el flap (23) se abre completamente.
 - b. Presionando la tecla "**SWING**" en el control remoto el flap empieza a oscilar automáticamente.
 - c. Para parar el flap en una cierta posición, presione la tecla "**SWING**". Presionela una otra vez para reiniciar la oscilación.

3.12.f Función de Atajo

- **Esta función sólo puede activarse desde el control remoto.**
 - a. Cuando el aparato es en marcha en cualquier de los modos, presionando la tecla "**SHORT CUT**" en el control remoto, el aparato se configura directamente en modo "**AUTO**" con la temperatura configurada a 26°C (80 F).

3.12.g Reinicio Automático

- a. Si el aparato se apaga debido a una interrupción de corriente, a la restauración de la energía eléctrica lo mismo se reinicia automáticamente con las configuraciones anteriores.

4 - MANTENIMIENTO Y LIMPIEZA



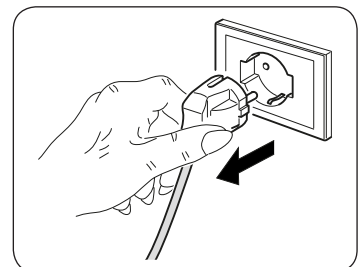
Antes de proceder con cualquiera intervención de mantenimiento y limpieza, siempre asegúrese de que el enchufe de alimentación haya sido desconectado de la toma de corriente.



No toque las piezas de acero del aparato cuando se re-mueva el filtro.
Riesgo de herirse con los bordes metálicos afilados.



No utilice agua para limpiar las partes interiores del acondicionador.
La exposición al agua puede deteriorar el aislamiento, con riesgo de provocar descargas eléctricas.



4.1 - LIMPIEZA

4.1.a - Limpieza del aparato y del control remoto

- a. Utilice un paño seco para limpiar el aparato y el control remoto.
- b. Se puede utilizar un paño humedecido con agua fría para limpiar el aparato si está muy sucio.



No utilice un paño tratado químicamente o antiestático para limpiar el aparato.



No utilice gasolina, solventes, pastas para limpiar ni solventes similares. Estos productos pueden provocar la rotura o la deformación de la superficie de plástico.

4.1.b - Mantenimiento de los filtros de aire

El sistema de filtración está compuesto por un filtro de red (fig. 32 ref. 27a) y por una serie de filtros adicionales que se pueden utilizar a discreción (fig. 32 ref. 15).

Para garantizar una eficaz filtración del aire interno y un buen funcionamiento de Vuestro acondicionador es indispensable que se limpien periódicamente los filtros de aire.



Los filtros adicionales deben ser sustituidos después de aproximadamente 500 horas de funcionamiento. Para un correcto funcionamiento del sistema de filtración, se recomienda utilizar exclusivamente repuestos originales.

4.1.c - Limpieza del filtro de aire

El filtro de aire sucio reduce las capacidades de enfriamiento del aparato.

Proceda a su limpieza cada dos semanas.

- a. Desenganche la rejilla (27) completa con filtro (27a) y levántela para quitarla del aparato (Fig.19).
- b. Quite el filtro (27a) de la rejilla (27) (Fig.20).
- c. Limpie el filtro (27a) utilizando una aspiradora o lávelo con agua, entonces déjelo secar en un lugar fresco.



Si el filtro (27a) está dañado, sustitúyalo.

- d. Asegúrese de que el filtro (27a) esté completamente seco.
- e. Vuelva a posicionar el filtro (27a) en la rejilla (27) prestando atención a su correcto posicionamiento (Fig.22).
- f. Succione una posible pelusa de las placas (Fig.21).
- g. Posicione la rejilla (27) completa con filtro (27a) en el cuerpo del aparato asegurándose de que esté correctamente enganchada (Fig.23).



No utilice el aparato sin el filtro (27a).

4.1.d - Limpieza del filtro de aspiración

Un filtro de aspiración sucio reduce el rendimiento del aparato.

Proceda con su limpieza cada dos semanas.

- a. Quite el filtro (30) lateralmente (Fig.24).
- b. Limpie el filtro (30) utilizando una aspiradora o lávelo con agua, entonces déjelo secar en un lugar fresco.



Se el filtro (30) está dañado, sustitúyalo.

- c. Asegúrese de que el filtro (30) esté completamente seco.

- d. Vuelva a posicionar el filtro (30) correctamente en su específico asiento (Fig. 25).
- e. Succione una posible pelusa de rejilla (Fig. 25).



No utilice el aparato sin el filtro (30).

4.1.e - CONSEJOS PARA EL AHORRO DE ENERGÍA

A continuación se proporcionan algunos simples consejos para reducir los consumos:

- Mantenga los filtros siempre limpios (véase el capítulo de mantenimiento y limpieza).
- Mantenga cerradas las puertas y ventanas de las habitaciones que se deben climatizar.
- Evite que los rayos solares penetren libremente en la habitación (se aconseja usar cortinas, bajar las persianas o cerrar los postigos).
- No obstruya la trayectoria del flujo de aire (en entrada y en salida) del aparato; esto, además de obtener un rendimiento no óptimo, también perjudica su correcto funcionamiento y influye sobre la posibilidad de daños irreparables al mismo.

4.2 - MANTENIMIENTO

Si no se desea utilizar el aparato por un largo periodo, ejecute lo que sigue:

- a. Accione el modo sólo ventilador por algunas horas (unas 8÷10 horas) para que el interior del aparato se seque.
- b. Apague el acondicionador y desconecte la alimentación.
- c. Limpie los filtros del aire.
- d. Descargue completamente el agua de condensación.
- e. Enrolle el cable de alimentación eléctrica (34) alrededor del enrollacable (33) e inserta el enchufe en su específico asiento (31) (Fig.31).
- f. Quite las baterías del control remoto.

Controles antes de volver a encender el acondicionador:

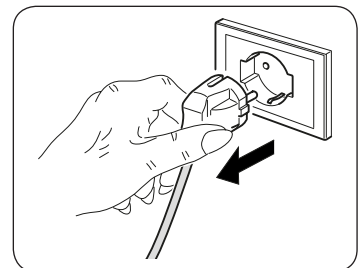
- a. Tras un largo periodo de inactividad del acondicionador, limpie los filtros.
- b. Control que la salida y la entrada de aire no estén obstruidas (sobre todo, después de un largo período de inactividad del acondicionador).

4.2.a - Descarga agua de condensación

Cuando el agua de condensación en la bandeja inferior alcanza el nivel predeterminado, el aparato emite un bip 8 veces; en el panel de mandos se visualiza "P1" y el aparato deja de funcionar (el motor del ventilador sigue funcionando).

En este caso:

- a. Desconecte el enchufe de la toma de corriente.
- b. Mueva el aparato con cuidado en una posición adecuada para descargar el agua.
- c. Quite la tapa de descarga (32) y la tapa de goma (32a) (Fig.26).



Asegúrese de que se haya atornillado correctamente la tapa de descarga (32) para que se eviten escapes de agua.

- d. Haga salir toda el agua.
- e. Vuelva a posicionar la tapa de goma (32a) y atornille la tapa de descarga (32) (Fig.27).
- f. Inserta el enchufe en la toma de corriente y reinicie la máquina hasta cuando la indicación "P1" se apague.



Si el error se repite, contacte un Centro de Asistencia.

4.2.b Códigos de error

Durante el funcionamiento del aparato, podrían visualizarse algunas anomalías que paran su funcionamiento. En estos casos, en el panel de mandos se visualizan los códigos de error.

- **P1** Bandeja inferior llena.
 - Vacíela obrando tal como se describe en el párrafo 4.2.a

- **F1** Limpieza de los filtros.
 - Cada 250 horas de funcionamiento del motor del ventilador, se visualiza el mensaje **F1**. Proceda con la limpieza de los filtros (párrafos 4.1.b - 4.1.c - 4.1.d) y restablezca el conteo de las horas manteniendo presionada por 5 segundos la tecla “**ON/OFF**” en el panel de mandos del aparato.

- **E1** Error sensor temperatura ambiente.
- **E2** Error sensor temperatura evaporador.
- **E3** Error sensor temperatura condensador.
- **E4** Error de comunicación panel de la pantalla.

En estos casos:

- a. desconecte eléctricamente el aparato
- b. espere unos minutos
- c. conecte el enchufe a la toma de corriente
- d. reinicie el aparato.



Si el inconveniente persiste y el código de error no se apaga, desconecte eléctricamente el aparato y refiérase a un Centro de Asistencia.

5 - DATOS TÉCNICOS

Para los datos técnicos, consulte la placa de datos aplicada en el producto (Fig.2).

• Dimensiones (L x A x P)	490 x 765 x 425 mm
• Límites temperaturas de ejercicio en Enfriamiento	17°C÷35°C (62 F ÷ 95 F)
• Límites temperaturas de ejercicio en Deshumidificación	13°C÷35°C (55 F ÷ 95 F)
• Límites temperaturas de ejercicio en Calentamiento (bomba de calor)	5°C÷30°C (41 F ÷ 86 F)
• Gas refrigerante	R32

6 - GARANTÍA PARA USA

Querido cliente

Muchas gracias por su compra de un acondicionador de aire portátil Olimpia Splendid.

Los términos de la garantía y de la asistencia técnica se indican en la documentación que acompaña al producto. Para cualquiera información contacte: techservices@olimpiasplendidusa.com or (800) 408-5196

7 - ESQUEMA ELÉCTRICO

Para el esquema eléctrico, vea página “IT-27”.

8 - INCONVENIENTES Y POSIBLES RECURSOS

MAL FUNCIONAMIENTO	CAUSA	QUÉ SE DEBE HACER?
El aparato no funciona.	Falta la corriente. Está desenchufado.	Espere. Inserta el enchufe en la toma de corriente.
El aparato no se inicia.	Código de Error P1 ----- En modo ENFRIAMIENTO: la temperatura ambiente es inferior a la temperatura configurada	La bandeja de recogida del agua está llena. Apague el aparato, descargue el agua de la bandeja y entonces reinicie el aparato. ----- Restablezca la temperatura
El aparato funciona sólo por poco tiempo.	La temperatura programada está muy cerca de la temperatura ambiente. ----- Hay obstáculos en la aspiración del aire del exterior.	Bajar la temperatura programada. ----- Quitar los obstáculos. Llamar al Centro de asistencia.
El aparato no enfría bien.	Los filtros del aire están obstruidos con polvo, pelusa o pelo de animales ----- El tubo de descarga no está conectado o está bloqueado ----- El aparato tiene un nivel bajo de refrigerante ----- La temperatura configurada es demasiado alta ----- Las ventanas y puertas de la habitación están abiertas ----- El área de la habitación es demasiado grande ----- Hay fuentes de calor dentro de la habitación	Apague el aparato y limpie los filtros siguiendo las instrucciones ----- Apague el aparato, desconecte el tubo, remueva la posible obstrucción y vuelva a conectar el tubo de descarga ----- Contacte un centro de asistencia para hacer controlar el aparato y hacer recargar el refrigerante ----- Reduzca la temperatura configurada ----- Asegúrese de que todas las ventanas y puertas estén cerradas ----- Vuelva a controlar el área de enfriamiento ----- Remueva las fuentes de calor, si posible
El aparato es ruidoso y vibra excesivamente.	La superficie de apoyo del aparato no está nivelado ----- Los filtros del aire están obstruidos con polvo, pelusa o pelo de animales	Coloque el aparato en una superficie llana y nivelada ----- Apague el aparato y limpie los filtros siguiendo las instrucciones
El aparato emite un sonido anormal.	Este sonido es causado por el flujo de refrigerante dentro de la unidad	Es absolutamente normal
Al moverlo, el acondicionador pierde agua.	El acondicionador está inclinado u horizontal.	Vacíe el agua antes de los movimientos.
En modo refrigeración, nocturno o automático, no es posible seleccionar la velocidad mínima.	La temperatura ambiente es demasiado baja	El comportamiento del acondicionador es normal.

INDICE GENERALE

0 -AVVERTENZE	3
0.1 - INFORMAZIONI GENERALI	3
0.2 - SIMBOLOGIA.....	3
0.2.1 - Pittogrammi redazionali.....	3
0.3 - AVVERTENZE GENERALI	5
0.4 - USO PREVISTO	9
0.5 - ZONE DI RISCHIO.....	9
1 -DESCRIZIONE APPARECCHIO	10
1.1 - ELENCO COMPONENTI FORNITI A CORREDO (Fig.5).....	10
1.2 - IDENTIFICAZIONE DELLE PARTI PRINCIPALI (Fig.A).....	10
INFORMAZIONI RISERVATE AL “TECNICO INSTALLATORE”	
2 - INSTALLAZIONE	11
2.1 - TRASPORTO DEL CLIMATIZZATORE.....	11
2.2 - AVVERTENZE.....	11
2.3 - INSTALLAZIONE MOBILE	12
2.4 - INSTALLAZIONE FISSA	12
2.5 - COLLEGAMENTO ELETTRICO	12
2.6 - DRENAGGIO	13
2.6.a - Utilizzo come deumidificatore.....	13
2.6.b - Utilizzo come pompa di calore	13
(solo per il modello predisposto)	13
SEZIONE PER IL TECNICO E PER L'UTENTE	
3 - USO DELL'APPARECCHIO	14
3.1 - SIMBOLI E TASTI PANNELLO COMANDI (Fig.B).....	14
3.2 - TASTI TELECOMANDO (Fig.C).....	15
3.3 - USO DEL TELECOMANDO	16
3.3.a - Inserimento delle batterie	16
3.3.b - Sostituzione delle batterie	16
3.3.c - Posizione del telecomando	17
3.4 - UTILIZZO DELL' APPARECCHIO	17
3.4.a - Operazioni preliminari	17
3.4.b - Accensione/spegnimento apparecchio.....	18
3.5 - MODALITÀ AUTO (Automatica).....	18
3.6 - MODALITÀ RAFFREDDAMENTO (COOL)	18
3.7 - MODALITÀ RAFFREDDAMENTO TURBO	18
3.8 - MODALITÀ DEUMIDIFICAZIONE (DRY).....	19
3.9 - MODALITÀ VENTILAZIONE (FAN).....	19
3.10 - MODALITÀ RISCALDAMENTO (HEAT)	19
(solo per modello con pompa di calore)	19
3.11 - MODALITÀ TIMER.....	20
3.11.a Accensione programmata	20
3.11.b Spegnimento programmato.....	20
3.12 - ALTRE FUNZIONI	21
3.12.a Funzione SILENT	21
3.12.b Funzione SLEEP	21

3.12.c	Funzione FOLLOW ME	21
3.12.d	Impostazione unità di misura della temperatura.....	22
3.12.e	Direzionamento del flusso dell'aria.....	22
3.12.f	Funzione Short Cut	22
3.12.g	Auto-Restart	22
4	- MANUTENZIONE E PULIZIA	22
4.1	- PULIZIA.....	23
4.1.a	- Pulizia dell'apparecchio e del telecomando	23
4.1.b	- Manutenzione dei filtri dell'aria	23
4.1.c	- Pulizia del filtro aria	23
4.1.d	- Pulizia del filtro aspirazione.....	23
4.1.e	- Consigli per il risparmio energetico	24
4.2	- MANUTENZIONE.....	24
4.2.a	- Scarico acqua di condensa	24
4.2.b	- Codici di errore.....	25
5	- DATI TECNICI.....	25
6	- GARANZIA PER USA.....	25
7	- SCHEMA ELETTRICO.....	26
8	- INCONVENIENTI E POSSIBILI RIMEDI	27



SMALTIMENTO

Il simbolo su il prodotto o sulla confezione indica che il prodotto non deve essere considerato come un normale rifiuto domestico, ma deve essere portato nel punto di raccolta appropriato per il riciclaggio di apparecchiature elettriche ed elettroniche. Provvedendo a smaltire questo prodotto in modo appropriato, si contribuisce a evitare potenziali conseguenze negative per l'ambiente e per la salute, che potrebbero derivare da uno smaltimento inadeguato del prodotto.

Per informazioni più dettagliate sul riciclaggio di questo prodotto, contattare l'ufficio comunale, il servizio locale di smaltimento rifiuti o il negozio in qui è stato acquistato il prodotto.

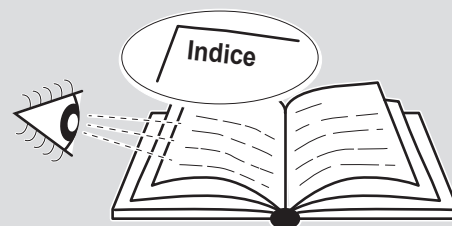
Questa disposizione è valida solamente negli stati membri dell'UE.

ILLUSTRAZIONI

Le illustrazioni sono raggruppate nelle pagine iniziali del manuale

**INDICE GENERALE**

L'indice generale del presente manuale è riportato a pagina "IT-1"

**0 - AVVERTENZE****0.1 - INFORMAZIONI GENERALI**

Desideriamo innanzitutto ringraziarVi per aver deciso di accordare la vostra preferenza ad un apparecchio di nostra produzione.

0.2 - SIMBOLOGIA

I pittogrammi riportati nel seguente capitolo consentono di fornire rapidamente ed in modo univoco informazioni necessarie alla corretta utilizzazione della macchina in condizioni di sicurezza.

0.2.1 - Pittogrammi redazionali**Service**

Contrassegna situazioni nelle quali si deve informare il SERVICE aziendale interno:
SERVIZIO ASSISTENZA TECNICA CLIENTI

**Indice**

I paragrafi preceduti da questo simbolo contengono informazioni e prescrizioni molto importanti, particolarmente per quanto riguarda la sicurezza.

Il mancato rispetto può comportare:

- pericolo per l'incolumità degli operatori
- perdita della garanzia contrattuale
- declinazione di responsabilità da parte della ditta costruttrice.

**Mano alzata**

Contrassegna azioni che non si devono assolutamente fare.

**TENSIONE ELETTRICA PERICOLOSA**

Segnala al personale interessato che l'operazione descritta presenta, se non effettuata nel rispetto delle normative di sicurezza, il rischio di subire uno shock elettrico.

**PERICOLO GENERICO**

Segnala al personale interessato che l'operazione descritta presenta, se non effettuata nel rispetto delle normative di sicurezza, il rischio di subire danni fisici.

**PERICOLO DI FORTE CALORE**

Segnala al personale interessato che l'operazione descritta presenta, se non effettuata nel rispetto delle normative di sicurezza, il rischio di subire bruciature per contatto con componenti con elevata temperatura.

**NON COPRIRE**

Segnala al personale interessato che è vietato coprire l'apparecchio per evitarne il surriscaldamento.

**ATTENZIONE**

- Segnala che il presente documento deve essere letto con attenzione prima di installare e/o utilizzare l'apparecchio.
- Indica che il personale di assistenza deve maneggiare l'apparecchio attenendosi al manuale di installazione.

**ATTENZIONE**

- Segnala che potrebbero esserci delle informazioni aggiuntive su manuali allegati.
- Indica che sono disponibili informazioni nel manuale d'uso o nel manuale di installazione.

**ATTENZIONE**

Indica che il personale di assistenza deve maneggiare l'apparecchio attenendosi al manuale di installazione.

0.3 - AVVERTENZE GENERALI

QUANDO SI UTILIZZANO APPARECCHIATURE ELETTRICHE, È SEMPRE NECESSARIO SEGUIRE PRECAUZIONI DI SICUREZZA DI BASE PER RIDURRE RISCHI DI INCENDIO, SCOSSE ELETTRICHE E INFORTUNI A PERSONE, INCLUSO QUANTO SEGUE:



Per prevenire eventuali danni al compressore ogni partenza è ritardata di 3 minuti rispetto all'ultimo spegnimento.



1. Documento riservato ai termini di legge con divieto di riproduzione o di trasmissione a terzi senza esplicita autorizzazione della ditta OLIMPIA SPLENDID.

Le macchine possono subire aggiornamenti e quindi presentare particolari diversi da quelli raffigurati, senza per questo costituire pregiudizio per i testi contenuti in questo manuale.



2. Leggere attentamente il presente manuale prima di procedere con qualsiasi operazione (installazione, manutenzione, uso) ed attenersi scrupolosamente a quanto descritto nei singoli capitoli.



3. Conservare con cura questo libretto per ogni ulteriore consultazione.

4. Dopo aver tolto l'imballaggio assicurarsi dell'integrità dell'apparecchio; gli elementi dell'imballaggio non devono essere lasciati alla portata dei bambini in quanto potenziali fonti di pericolo.

5. **LA DITTA COSTRUTTRICE NON SI ASSUME RESPONSABILITÀ PER DANNI A PERSONE O COSE DERIVANTI DALLA MANCATA OSSERVANZA DELLE NORME CONTENUTE NEL PRESENTE LIBRETTO.**

6. La ditta costruttrice si riserva il diritto di apportare modifiche in qualsiasi momento ai propri modelli, fermo restando le caratteristiche essenziali descritte nel presente manuale.



7. La manutenzione di apparecchiature per la climatizzazione come la presente potrebbe risultare pericolosa in quanto all'interno di questo apparecchio è presente un gas refrigerante sotto pressione e componenti elettrici sotto tensione.

Pertanto gli eventuali interventi di manutenzione (ad eccezione della pulizia dei filtri) devono essere eseguite esclusivamente da personale autorizzato e qualificato.

8. Installazioni eseguite al di fuori delle avvertenze fornite dal presente manuale e l'utilizzo al di fuori dei limiti di temperatura prescritti fanno decadere la garanzia.

9. L'ordinaria manutenzione dei filtri, la pulizia generale esterna possono essere eseguite anche dall'utente, in quanto non comportano operazioni difficoltose o pericolose.

10. Durante il montaggio, e ad ogni operazione di manutenzione, è necessario osservare le precauzioni citate nel presente manuale, e sulle etichette apposte all'interno o sull'apparecchio, nonché adottare ogni precauzione suggerita dal comune buonsenso e dalle Normative di Sicurezza vigenti nel luogo d'installazione.



11. In caso di sostituzione di componenti utilizzare esclusivamente ricambi originali OLIMPIA SPLENDID.



12. Se l'unità rimane inutilizzata per un lungo periodo, oppure nessuno soggiorna nella stanza climatizzata, per evitare incidenti, è consigliabile scollegare l'alimentazione elettrica.



13. Non utilizzare detergenti liquidi o corrosivi per pulire l'unità, non spruzzare acqua o altri liquidi sull'unità in quanto potrebbero danneggiare i componenti in plastica o, addirittura, provocare scosse elettriche.



14. Non bagnare l'unità interna ed il telecomando. Potrebbero verificarsi corto circuiti o incendi.



15. In caso di anomalie di funzionamento (per esempio: rumore anomalo, cattivo odore, fumo, innalzamento anomalo della temperatura, dispersioni elettriche, ecc.) spegnere immediatamente l'apparecchio e scollegare la spina dalla presa di corrente.

Per l'eventuale riparazione rivolgersi esclusivamente ai centri di assistenza tecnica autorizzati dal costruttore e richiedere l'utilizzo di ricambi originali. Il mancato rispetto di quanto sopra può compromettere la sicurezza dell'apparecchio.

16. Non lasciare il condizionatore in funzione per lunghi periodi se l'umidità è elevata e vi sono porte o finestre aperte. L'umidità potrebbe condensarsi e bagnare o danneggiare gli arredi.



17. Non scollegare la spina di alimentazione durante il funzionamento. Rischio di incendio o scosse elettriche.

18. Non appoggiare oggetti pesanti o caldi sopra l'apparecchio.

19. Prima di collegare elettricamente l'apparecchio accertarsi che i dati targa siano rispondenti a quelli della rete di distribuzione elettrica. La presa di corrente deve essere dotata di messa a terra. La targa (20) è situata sui lati dell'apparecchio (Fig.2).

20. Installare l'apparecchio secondo le istruzioni del costruttore. Un'errata installazione può causare danni a persone, animali o cose, nei confronti dei quali il costruttore non può essere considerato responsabile.

21. In caso di incompatibilità tra la presa e la spina dell'apparecchio, far sostituire la presa con altra di tipo adatto da personale professionalmente qualificato, il quale accerti che la sezione dei cavi della presa sia idonea alla potenza assorbita dall'apparecchio. In generale è sconsigliato l'uso di adattatori e/o prolunghe; se il loro uso si rendesse indispensabile, devono essere conformi alle vigenti norme di sicurezza e la loro portata di corrente (A) non deve essere inferiore a quella massima dell'apparecchio.


22. Questo apparecchio non è destinato a essere fatto funzionare per mezzo di un temporizzatore esterno o con un sistema di comando a distanza separato.
23. Usare l'apparecchio sempre e soltanto in posizione verticale.
24. Non ostruire in alcun modo le griglie di entrata aria e quelle di uscita.
25. Non inserire oggetti estranei nelle griglie di entrata ed uscita aria in quanto vi è il rischio di scosse elettriche, incendio o danni all'apparecchio.
26. Non utilizzare l'apparecchio:
 - con le mani bagnate o umide;
 - a piedi nudi.
27. Non tirare il cavo di alimentazione o l'apparecchio stesso, per staccare la spina dalla presa di corrente.
28. Non utilizzare l'apparecchio sotto la luce diretta del sole o vicino vicino a fonti di calore come stufa, calorifero o radiatore (Fig.3)
29. Non utilizzare l'apparecchio vicino ad apparecchi a gas (Fig.3)
30. Collocare sempre l'apparecchio su una superficie stabile, piana e livellata.
31. Lasciare almeno 30cm di spazio libero sui lati e dietro l'apparecchio e lasciare almeno 30cm di spazio libero sopra l'apparecchio (Fig.1).
32. Non collocare l'apparecchio vicino a una presa elettrica (Fig.4).
33. La presa di corrente deve essere facilmente accessibile in modo da poter disinserire con facilità la spina in caso di emergenza.
34. Non maneggiare la spina con le mani bagnate.
35. Non piegare eccessivamente, attorcigliare, tirare o danneggiare il cavo di alimentazione.
36. Non svolgere il cavo di alimentazione elettrica sotto a tappeti, coperte o guide. Sistemare il cavo in zone non di passaggio in modo da evitare inciampi.
37. Scollegare il cavo quando l'unità non è in uso per un periodo di tempo prolungato e/o quando nessuno si trova in casa.
38. Non utilizzare l'apparecchio in ambienti particolarmente umidi (bagno, cucina, ecc.).
39. Non utilizzare l'apparecchio all'esterno o su superfici bagnate. Evitare il versamento di liquidi sull'apparecchio. Non utilizzare l'apparecchio vicino a lavelli o rubinetti.
40. Non immergere l'apparecchio in acqua o altri liquidi.
41. Pulire l'apparecchio con un panno umido; non utilizzare prodotti o materiali abrasivi. Per la pulizia dei filtri vedere l'apposito paragrafo.

42. La causa più comune di surriscaldamento è il deposito di polvere o lanugine nell'apparecchio. Rimuovere regolarmente questi accumuli scollegando l'apparecchio dalla presa di corrente ed aspirando le griglie.
43. Non utilizzare l'apparecchio in ambienti con notevoli sbalzi di temperatura in quanto si potrebbe formare condensa all'interno dello stesso.
44. Installare l'apparecchio ad almeno 2 metri da altri apparecchi elettronici (TV, radio, computer, lettore dvd, ecc.) onde evitare interferenze (Fig.6).
45. Non utilizzare l'apparecchio se nel locale è stato da poco spruzzato insetticida a gas o in presenza di incensi accesi, vapori chimici o residui oleosi.
46. Non utilizzare l'apparecchio senza i filtri correttamente posizionati.
47. Lo smontaggio, riparazione o riconversione da parte di una persona non autorizzata potrebbe comportare gravi danni e annullerà la garanzia del fabbricante.
48. Non utilizzare l'apparecchio in caso o di guasto o cattivo funzionamento, se il cavo o spina sono danneggiati, o se è stato fatto cadere o è danneggiato in qualsiasi modo. Spegnere l'apparecchio, scollegare la spina dalla presa di corrente e farlo controllare da personale professionalmente qualificato.
49. Non smontare, né apportare modifiche all'apparecchio.
50. Riparare da se l'apparecchio è estremamente pericoloso.
51. Nel caso in cui si decida di non utilizzare più un apparecchio di questo tipo, si raccomanda di renderlo inoperante tagliando il cavo di alimentazione, dopo avere staccato la spina dalla presa di corrente. Si raccomanda inoltre di rendere innocue quelle parti dell'apparecchio suscettibili di costituire un pericolo, specialmente per i bambini che potrebbero servirsi dell'apparecchio fuori uso per i propri giochi.
52. Per il processo di sbrinamento e per la pulizia dell'apparecchio, non utilizzare strumenti diversi da quelli raccomandati dalla ditta costruttrice.
53. L'apparecchio è dotato di un termoprotettore che preserva la scheda elettronica in caso di sovra temperatura. Nel caso intervenga questa protezione, scollegare la spina dalla presa di corrente e attendere che l'apparecchio si sia completamente raffreddato (almeno 20÷30 minuti) quindi ricollegare la spina alla presa di corrente e riavviare l'apparecchio. Se l'apparecchio non si riavvia scollegare la spina dalla presa di corrente e contattare un Centro di Assistenza.
54. Non immettere R-410A nell'atmosfera: l'R-410A è un gas serra fluorurato, richiamato nel Protocollo di Kyoto, con un Potenziale di Riscaldamento Globale (GWP)= 2088.
55. Questo prodotto contiene gas refrigerante R-410A con caratteristiche di ODP=0 (potenziale impoverimento ozono).

0.4 - USO PREVISTO

- Il climatizzatore deve essere utilizzato esclusivamente per produrre aria calda* oppure aria fredda oppure deumidificare l'aria (a scelta) con il solo scopo di rendere confortevole la temperatura nell'ambiente.
- Questo apparecchio è destinato solo per un utilizzo domestico o simile.
- Un uso improprio dell'apparecchio con eventuali danni causati a persone, cose o animali esulano OLIMPIA SPLENDID da ogni responsabilità.

0.5 - ZONE DI RISCHIO

- I climatizzatori non devono essere installati in ambienti con presenza di gas infiammabili, gas esplosivi, in ambienti molto umidi (lavanderie, serre, ecc.), o in locali dove sono presenti altri macchinari che generano una forte fonte di calore, in prossimità di una fonte di acqua salata o acqua sulfurea.
-  • **NON** usare gas, benzine o altri liquidi infiammabili vicino al climatizzatore.
- Utilizzare solo i componenti forniti in dotazione (vedere paragrafo 1.1). L'utilizzo di parti non standard può causare perdite d'acqua, scosse elettriche, incendi e lesioni o danni alle cose.



Questo prodotto deve essere utilizzato unicamente secondo le specifiche indicate nel presente manuale. L'utilizzo diverso da quanto specificato potrebbe comportare gravi infortuni.

**LA DITTA COSTRUTTRICE NON SI ASSUME RESPONSABILITÀ
PER DANNI A PERSONE O COSE DERIVANTI DALLA MANCATA
OSSERVANZA DELLE NORME CONTENUTE NEL PRESENTE MANUALE.**

* Solo per la versione con pompa di calore

1 - DESCRIZIONE APPARECCHIO

1.1 - ELENCO COMPONENTI FORNITI A CORREDO (Fig.5)

L'apparecchio è confezionato singolarmente in imballo di cartone.
L'imballo può essere trasportato a mano da due addetti oppure caricato su carrello trasportatore.

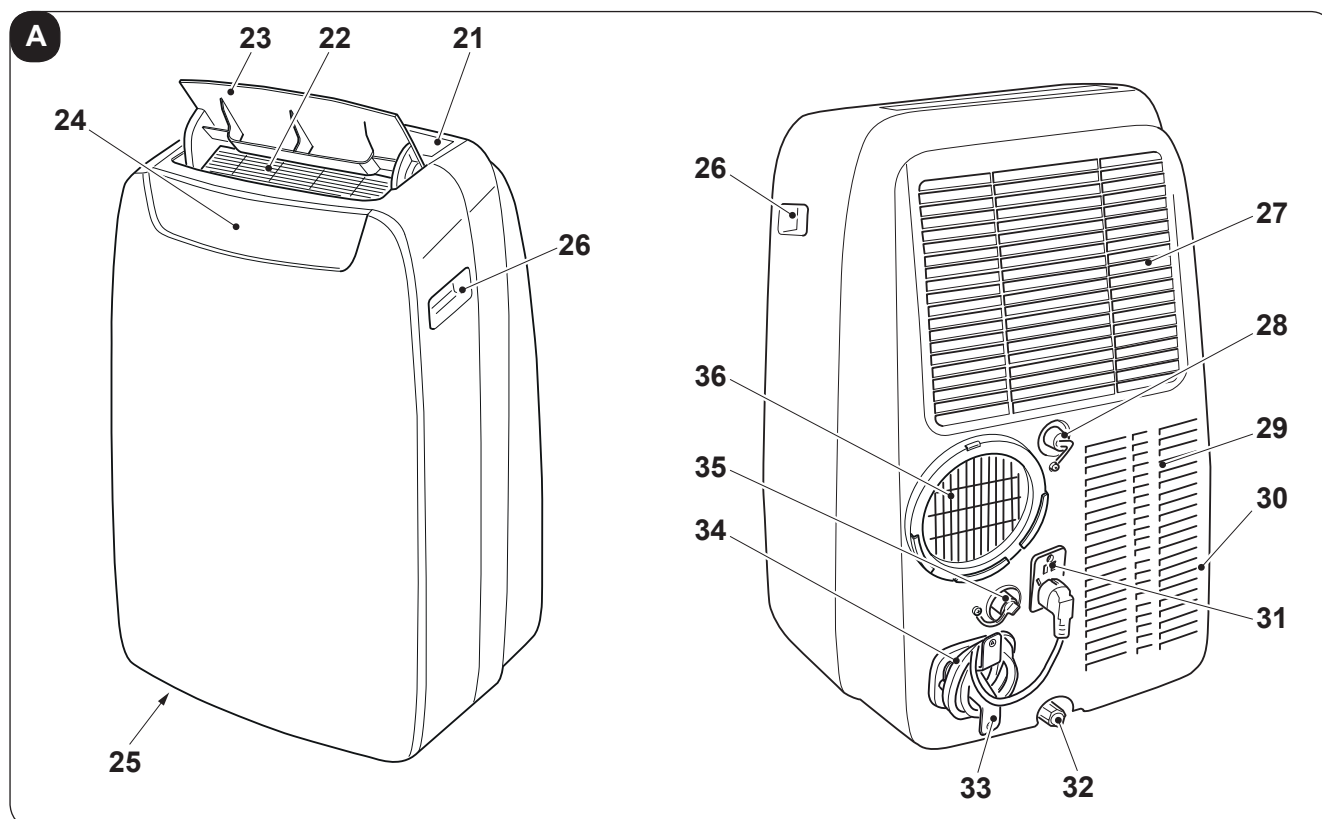


Stoccare l'imballo singolarmente; non accatastare.

- | | |
|--|--|
| 1. Tubo flessibile per espulsione aria (modalità raffrescamento ed automatica) | 7. Flangia per installazione fissa |
| 2. Terminale per tubo flessibile lato macchina | 8. Coibentante per installazione SLIDER |
| 3. Terminale per tubo flessibile per installazione SLIDER | 9. Coibentante per installazione SLIDER |
| 4. SLIDER per installazione a finestra scorrevole / tapparella | 10. Tasselli per flangia installazione fissa |
| 5. Squadretta + viti per bloccaggio finestra | 11. Telecomando |
| 6. Terminale tubo flessibile per installazione fissa | 12. Tubo scarico condensa (modalità sola deumidificazione) |
| | 13. Terminale adattatore per tubo scarico condensa |
| | 14. Manuale |
| | 15. Filtri aggiuntivi |

1.2 - IDENTIFICAZIONE DELLE PARTI PRINCIPALI (Fig.A)

- | | |
|---|--|
| 21. Pannello comandi | 30. Filtro aria estraibile |
| 22. Griglia uscita d'aria | 31. Foratura per alloggiamento spina |
| 23. Flap | 32. Tappo per svuotamento acqua di condensa (in caso di trasporto, manutenzione o accumulo eccessivo di acqua) |
| 24. Ricevitore IR telecomando | 33. Avvolgicavo |
| 25. Ruote | 34. Cavo di alimentazione elettrica |
| 26. Impugnatura | 35. Tappo scarico acqua di condensa (solo per modello con pompa di calore) |
| 27. Griglia filtro aria | 36. Griglia uscita aria |
| 27a. Filtro aria | |
| 28. Tappo scarico acqua di condensa (per utilizzo come deumidificatore) | |
| 29. Griglia entrata d'aria | |



2 - INSTALLAZIONE

2.1 - TRASPORTO DEL CLIMATIZZATORE

- Il trasporto e la movimentazione dell'apparecchio deve avvenire in posizione verticale.

In caso di trasporto in posizione orizzontale attendere almeno un'ora prima di riavviarlo.

- Prima di spostare o trasportare l'apparecchio scaricare completamente l'acqua di condensa operando come descritto nel paragrafo 4.2.



AVVERTENZA

Trasporto del climatizzatore su pavimenti delicati (es. pavimenti in legno):

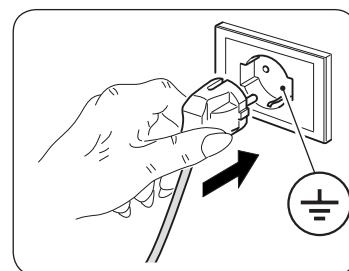
- Scaricare completamente l'acqua di condensa.
- Prestare particolarmente attenzione durante gli spostamenti del climatizzatore in quanto le ruote potrebbero segnare il pavimento. Le ruote pur essendo in materiale rigido e piroettanti, possono essere danneggiate dall'uso o essere sporche.
Si raccomanda di verificare che le ruote risultino pulite e libere nel loro movimento.

2.2 - AVVERTENZE



La mancata osservanza di quanto segue può essere causa di danni all'apparecchio.

- Installare il climatizzatore su superfici piane, stabili e a pavimento.
- Collegare il climatizzatore solo a prese di corrente dotate di messa a terra.
- Assicurarsi che tende o altri oggetti non ostruiscano i filtri di aspirazione aria (Fig.7).
- Assicurarsi di mantenere tra il climatizzatore e le figure adiacenti una distanza minima di 30 cm (Fig.1).
- L'apparecchio deve essere sempre posto in uso facendo attenzione che non ci siano ostacoli per l'aspirazione e l'uscita d'aria.
- Il climatizzatore non deve essere utilizzato in locali adibiti a lavanderia.
- Installare il climatizzatore solo in locali asciutti.
- Il climatizzatore non deve essere messo in funzione in presenza di materiali, vapori o liquidi pericolosi.
- Pulire i filtri dell'aria almeno una volta a settimana.



2.3 - INSTALLAZIONE MOBILE

Il climatizzatore deve essere installato in ambiente adeguato.

Si raccomanda di ridurre l'irraggiamento solare tramite tapparelle, tende, veneziane, e di tenere chiuse porte e finestre.

- a. Posizionare il climatizzatore davanti a una finestra o ad una portafinestra.
- b. Posizionare il terminale lato macchina (2) sul tubo flessibile (1) come da Fig.8.
- c. Posizionare il terminale (3) sul lato opposto del tubo flessibile (1) (Fig.8).
- d. Inserire il terminale lato macchina (2) sul bocchettone di uscita aria dell'apparecchio (36) come illustrato in figura 9.
- e. Posizionare il terminale (3) in modo da far fuoriuscire l'aria all'esterno (Fig.10)
- f. Nel caso si disponga di una finestra scorrevole (verticale o orizzontale) o di tapparella, è possibile usare lo "SLIDER KIT" (4) a corredo che consente un'installazione più efficiente.
Per l'installazione con KIT SLIDER procedere come illustrato nelle figure 11 e 12.
- g. Applicare la guarnizione adesiva (8) (Fig.12)
- h. Posizionare lo "SLIDER KIT" (4) e adattarlo (Fig.12)
- i. Posizionare il tubo flessibile (1) e applicare la guarnizione (9) (Fig.12)
- l. Se desiderato posizionare la squadretta (5) (Fig.12)



Estendere il tubo solo per il necessario, in modo che il convogliatore dell'aria rimanga chiuso tra i battenti dell'infisso.

2.4 - INSTALLAZIONE FISSA

Il climatizzatore può essere installato anche con fori fissi a vetro o a muro.

Il flusso dell'aria non deve essere impedito da griglie di protezione o altro.

Eventuali protezioni devono avere una sezione totale di passaggio dell'aria non inferiore a 140 cm².

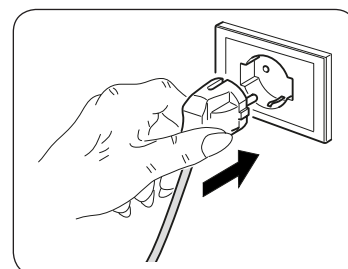
- a. Posizionare il terminale lato macchina (2) sul tubo flessibile (1) come da Fig.8.
- b. Praticare nel vetro o nella parete un foro del diametro di 127 mm ad un'altezza dal pavimento compresa tra 300 e 1200 mm (Fig.13).
- c. Posizionare il terminale (6) nel foro della parete e segnare i punti di foratura (Fig.14).
- d. Rimuovere il terminale (6) e praticare dei fori da 6 mm (Fig.14).
- e. Inserire nei fori i tasselli (10) in dotazione (Fig.14).
- f. Posizionare il terminale (6) nel foro della parete e fissarlo con le viti (10) in dotazione (Fig.15).
- g. Inserire il terminale lato macchina (2) sul bocchettone di uscita aria dell'apparecchio (36) come illustrato in figura 9.
- h. Collegare l'altra estremità del tubo flessibile (1) sul terminale (6) (Fig.16).
- i. Inserire la flangia (7) nel terminale (6) e chiudere il tappo (7a) quando l'apparecchio non è in funzione (Fig.16).

2.5 - COLLEGAMENTO ELETTRICO

L'apparecchio è dotato di un cavo di alimentazione con spina.

Prima di collegare il climatizzatore assicurarsi che:

- I valori della tensione e frequenza di alimentazione rispettino quanto specificato sui dati di targa dell'apparecchio.
- La linea di alimentazione sia dotata di un efficace collegamento a terra e sia correttamente dimensionata per il massimo assorbimento del climatizzatore.



- Sulla rete di alimentazione dell'apparecchio deve essere previsto un adeguato dispositivo di disconnessione onnipolare in conformità alle regole di installazione nazionali.
- L'apparecchiatura venga alimentata esclusivamente attraverso una presa compatibile con la spina fornita a corredo.



AVVERTENZA

L'eventuale sostituzione del cavo di alimentazione deve essere effettuata esclusivamente dal servizio di assistenza tecnica Olimpia Splendid o da personale con qualifica simile.

2.6 - DRENAGGIO

A seconda della modalità di utilizzo dell'apparecchio, è necessario collegare il tubo di scarico della condensa.

2.6.a - Utilizzo come deumidificatore

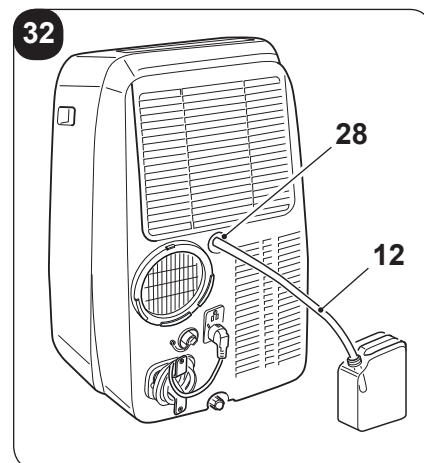
Per il corretto utilizzo dell'apparecchio operare come segue (figure 29 e 32):

- Rimuovere il tappo (28).
- Inserire il tubo in dotazione (12) sul raccordo.



Assicurarsi che la parte terminale del tubo di scarico (12) sia posizionata su un pozzetto di scarico o in un recipiente. Assicurarsi che il tubo (12) non sia ostruito.

- Se necessario, applicare il terminale (13) al tubo di scarico condensa (12).



2.6.b - Utilizzo come pompa di calore (solo per il modello predisposto)

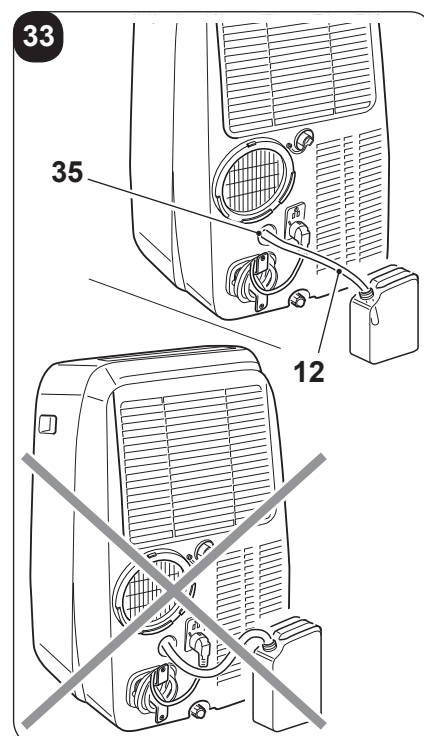
Per il corretto utilizzo dell'apparecchio operare come segue (figure 30 e 33):

- Rimuovere il tappo (35).
- Inserire il tubo in dotazione (12) sul raccordo.



Assicurarsi che la parte terminale del tubo di scarico (12) sia posizionata su un pozzetto di scarico o in un recipiente. Assicurarsi che il tubo (12) non sia ostruito.

- Se necessario, applicare il terminale (13) al tubo di scarico condensa (12).

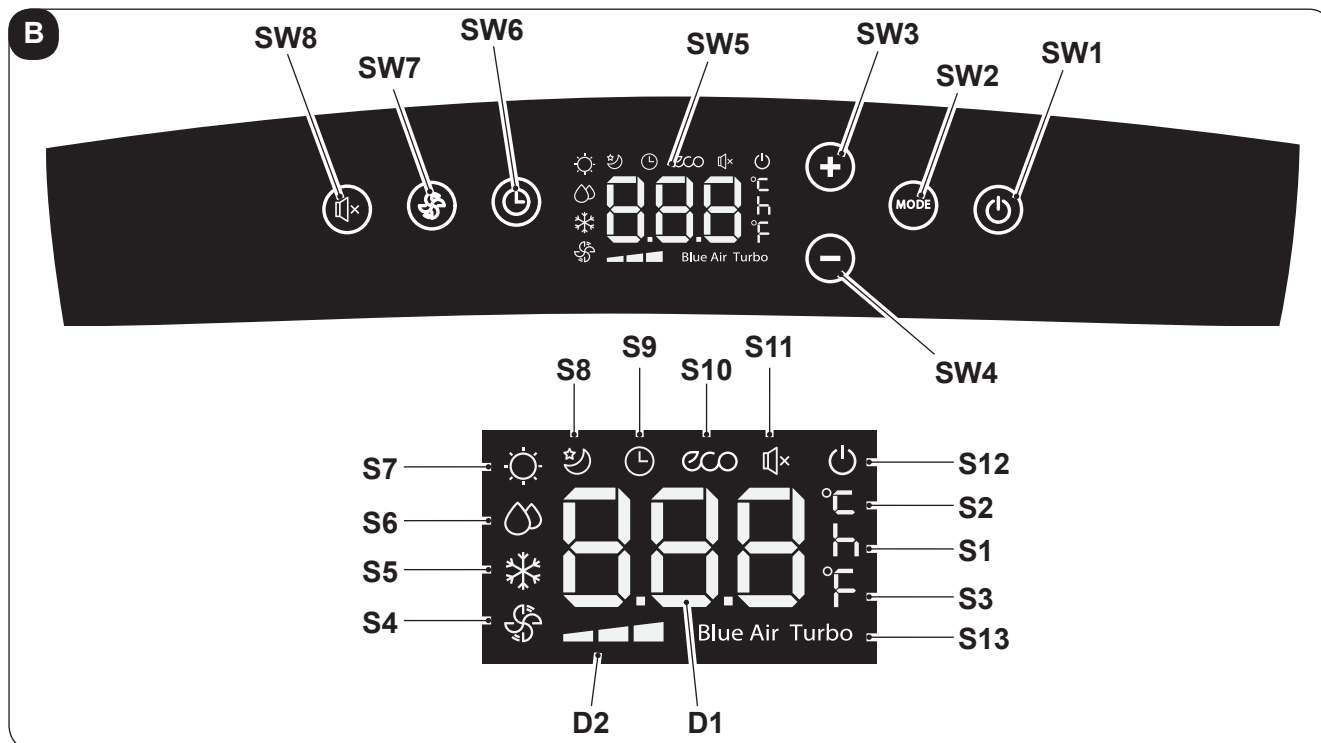


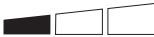


3 - USO DELL'APPARECCHIO

Le modalità di funzionamento del condizionatore possono essere selezionate sia tramite il telecomando che dal pannello comandi a bordo del condizionatore.

La ricezione della funzione selezionata viene confermata dall'emissione di un "beep" da parte del cicalino.

3.1 - SIMBOLI E TASTI PANNELLO COMANDI (Fig.B)



- **SW1:** ON/Stand-by;
- **SW2:** Selezione modalità operativa
ECO - Blue air (auto) =>
=> solo ventilatore =>
=> deumidificazione =>
=> riscaldamento
(attiva solo nella versione con pompa di calore)
=> raffreddamento =>
=> raffreddamento turbo => ...
- **SW3:** Aumento temperatura/ritardo
- **SW4:** Riduzione temperatura/ritardo
- **SW5:** Display
- **SW6:** Conferma/annullamento ritardo accensione/
spegnimento unità
- **SW7:** Selezione velocità ventilatore
Velocità minima  =>
=> Velocità media  =>
=> Velocità massima  =>
=> Blue air (auto)
- **SW8:** Selezione funzione "SILENT"
- **D1:** Temperatura impostata/Timer
- **D2:** Indicazione velocità ventola (vedere "SW7")
- **S1:** Indicatore ora
- **S2:** Indicatore temperatura °C
- **S3:** Indicatore temperatura °F
- **S4:** Modalità solo ventilatore
- **S5:** Modalità raffreddamento
- **S6:** Modalità deumidificazione
- **S7:** Modalità riscaldamento (attiva solo nella versione con pompa di calore)
- **S8:** Modalità sleep
- **S9:** Modalità timer (accensione/spegnimento programmato)
- **S10:** Modalità automatica (ECO)
- **S11:** Funzione "silent" attiva
- **S12:** Indicatore apparecchio alimentato elettricamente
- **S13:** Funzione Turbo

3.3 - USO DEL TELECOMANDO

Il telecomando fornito a corredo del climatizzatore è lo strumento che Vi permette di utilizzare l'apparecchio nel modo più comodo.



E' uno strumento da maneggiare con cura ed in particolare:

- Evitare di bagnarlo (non va pulito con acqua o lasciato alle intemperie).
- Evitare che cada per terra o urti violentemente.
- Evitare l'esposizione diretta ai raggi solari.



- **Il telecomando funziona con la tecnologia a infrarosso.**
- **Durante l'uso non interporre ostacoli fra il telecomando e il condizionatore.**
- **Nel caso in cui nell'ambiente vengano utilizzati altri apparecchi dotati di telecomando (TV, gruppi stereo, ecc...), si potrebbero verificare delle interferenze.**
- **Lampade elettroniche e fluorescenti possono interferire nelle trasmissioni tra telecomando e condizionatore.**
- **Estrarre le batterie di alimentazione nel caso di inutilizzo prolungato del telecomando.**

3.3.a - Inserimento delle batterie

Le batterie di alimentazione sono comprese nella fornitura.

Per inserire correttamente le batterie:

- Sfilare lo sportello del vano batterie (Fig.17).
- Inserire le batterie nell'apposito vano (Fig.17).



Rispettare scrupolosamente le polarità indicate sul fondo del vano batterie.

- Richiudere correttamente lo sportello (Fig.18).

3.3.b - Sostituzione delle batterie

Le batterie vanno sostituite quando si visualizza sul display l'icona  (D12).



Utilizzare sempre batterie nuove.

L'utilizzo di batterie vecchie o di tipo diverso potrebbe generare un malfunzionamento del telecomando.

- Il telecomando utilizza due batterie alcaline a secco da 1,5V (tipo AAA) (Fig.17).



Una volta scariche, le batterie vanno sostituite entrambe ed eliminate negli appositi centri di raccolta o come previsto dalle normative locali.

- Se non si utilizza il telecomando per alcune settimane o anche più, togliere le batterie. Eventuali perdite delle batterie potrebbero danneggiare il telecomando.



Non ricaricare o smontare le batterie. Non gettate le batterie nel fuoco. Possono bruciare o esplodere.



Se il liquido delle batterie cade sulla pelle o sui vestiti, lavare con cura con acqua pulita. Non utilizzare il telecomando con batterie che hanno avuto perdite. I prodotti chimici contenuti nelle batterie possono provocare bruciature od altri rischi per la salute.

3.3.c - Posizione del telecomando

- Tenere il telecomando in una posizione dalla quale il segnale può raggiungere il ricevitore (24) dell'apparecchio (distanza massima circa 8 metri - con le batterie cariche) (Fig.28). La presenza di ostacoli (mobili, tende, pareti, ecc.) tra il telecomando e l'apparecchio riduce la portata del telecomando.

3.4 UTILIZZO DELL' APPARECCHIO

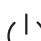
Per utilizzare l'apparecchio operare come segue.



Per prevenire eventuali danni al compressore, ogni partenza è ritardata di 3 minuti rispetto all'ultimo spegnimento.

3.4.a Operazioni preliminari






- **Posizionare l'apparecchio su un piano stabile, non inclinato, ad almeno 30 cm. dalla parete o da qualsiasi altro oggetto, al fine di garantire la corretta circolazione dell'aria. Collocarlo su una superficie resistente all'acqua perché l'eventuale fuoriuscita di acqua potrebbe danneggiare mobili o pavimento.**
- **Non collocare l'apparecchio direttamente su tappeti, asciugamani, coperte o altre superfici assorbenti.**
- **Inserire la spina nella presa di corrente; l'apparecchio emette un "beep" e sul display si visualizza l'icona  e la temperatura ambiente in °C.**



Prima di collegare elettricamente l'apparecchio accertarsi che i dati targa siano rispondenti a quelli della rete di distribuzione elettrica.



3.4.b Accensione/spegnimento apparecchio

- Per avviare l'apparecchio premere il tasto "ON/OFF" sul telecomando oppure il tasto  sul pannello di comando.
- Un beep segnala che l'apparecchio è in funzione e il flap (23) si solleva.
- Sul pannello di comando si accende l'icona .
- Se l'accensione è stata effettuata con il telecomando, sul display dello stesso si visualizza l'icona .
- In caso di prolungato arresto dell'apparecchio, questo deve essere resettato togliendo la spina dalla presa di corrente, attendere 5÷10 secondi quindi reinserirla; un beep segnala che l'apparecchio è pronto per l'uso.


3.5 MODALITÀ AUTO (Automatica)

- Impostando questa modalità, l'apparecchio attiva automaticamente la funzione RAFFREDDAMENTO o RISCALDAMENTO (solo per il modello con pompa di calore) oppure la funzione VENTILATORE a seconda della temperatura ambiente e di quella impostata.
La temperatura ambiente viene continuamente controllata in modo da ottenere nel locale climatizzato un comfort ottimale.
- Questa modalità può essere selezionata premendo una o più volte il tasto "MODE" (sul telecomando o sul pannello comandi) fino a quando l'apposita icona **ECO** e **Blue Air** si visualizza sul display del pannello comandi e/o l'icona **Auto** si visualizza sul display del telecomando.
- In modalità **AUTO**, non è possibile selezionare la velocità della ventola.

3.6 MODALITÀ RAFFREDDAMENTO (COOL)



- Impostando questa modalità l'apparecchio deumidifica e raffredda l'ambiente.
Questa modalità può essere selezionata premendo una o più volte il tasto "MODE" (sul telecomando o sul pannello comandi) fino a quando l'apposita icona  si visualizza sul display.
- In questa modalità il ventilatore è sempre acceso ed è possibile selezionarne la velocità desiderata premendo il tasto "FAN" sul telecomando o il tasto  sul pannello comandi.
La velocità della ventola è raffigurata come riportato nel paragrafo "3.1" (punto SW7) e "3.2" (punto B3).
- Il set-point di temperatura è compreso tra 17°C e 30°C (da 62°F e 86°F) con variazioni di 1°C ed è impostabile con i tasti +/- sul pannello comandi o con i tasti ▲ ▼ sul telecomando.
- Dopo un certo tempo (massimo tre minuti) dall'attivazione della modalità di funzionamento il compressore si avvia e l'apparecchio inizia ad erogare freddo.

3.7 MODALITÀ RAFFREDDAMENTO TURBO




- Questa funzione è attivabile solo dal pannello comandi dell'apparecchio.
- Questa modalità può essere selezionata premendo una o più volte il tasto "MODE" sul pannello comandi fino a quando si visualizzano sul display le icone  e "Turbo".
 - La funzione imposta l'apparecchio direttamente in modalità raffreddamento con temperatura impostata a 17°C e velocità massima del ventilatore in modo da raggiungere la temperatura impostata più velocemente.

- c. In questa modalità non è possibile né selezionare la velocità della ventola e nemmeno la temperatura.
- d. Per spegnere la funzione premere il tasto “**MODE**” sul pannello comandi o spegnere l'apparecchio.

3.8 MODALITÀ DEUMIDIFICAZIONE (DRY)



- a. Impostando questa modalità deumidifica l'ambiente.
Questa modalità può essere selezionata premendo una o più volte il tasto “**MODE**” (sul telecomando o sul pannello comandi) fino a quando l'apposita icona non si visualizza:
-  sul pannello comandi -  sul display del telecomando.
- b. In modalità **DRY**, non è possibile selezionare la velocità della ventola o regolare la temperatura.
Il motore del ventilatore funziona a bassa velocità.
- c. Tenere chiuse porte e finestre per il miglior effetto deumidificante.
Non posizionare il tubo di espulsione aria alla finestra.
- d. Collegare il tubo per lo scarico della condensa (paragrafo 2.6.a)

3.9 MODALITÀ VENTILAZIONE (FAN)

- a. Impostando questa modalità l'apparecchio non esercita alcuna azione né sulla temperatura né sull'umidità dell'aria in ambiente, ma la mantiene solamente in circolazione.
- b. Questa modalità può essere selezionata premendo una o più volte il tasto “**MODE**” (sul telecomando o sul pannello comandi) fino a quando l'apposita icona si visualizza sul display del pannello comandi e/o del telecomando.
-  icona sul pannello comandi -  icona sul display del telecomando
- c. In questa modalità il ventilatore è sempre acceso ed è possibile selezionarne la velocità desiderata premendo il tasto “**FAN**” sul telecomando o il tasto  sul pannello comandi.
- d. La velocità della ventola è raffigurata sul display come riportato nel paragrafo “3.1” (punto SW7) e “3.2” (punto D7).

3.10 MODALITÀ RISCALDAMENTO (HEAT)





(solo per modello con pompa di calore)

- a. Impostando questa modalità l'apparecchio riscalda l'ambiente.
- b. Questa modalità può essere selezionata premendo una o più volte il tasto “**MODE**” (sul telecomando o sul pannello comandi) fino a quando l'apposita icona  si visualizza sul display.
- c. In questa modalità il ventilatore è sempre acceso ed è possibile selezionarne la velocità desiderata premendo il tasto “**FAN**” sul telecomando o il tasto  sul pannello comandi.
La velocità della ventola è raffigurata come riportato nel paragrafo “3.1” (punto SW7) e “3.2” (punto D7).
- d. Il set-point di temperatura è compreso tra 17°C e 30°C (da 62 F e 86 F) con variazioni di 1°C ed è impostabile con i tasti +/- sul pannello comandi o con i tasti ▲ ▼ sul telecomando.
- e. Dopo un certo tempo (massimo tre minuti) dall'attivazione della modalità di funzionamento la pompa di calore si avvia e l'apparecchio inizia ad erogare caldo.
- f. Collegare il tubo per lo scarico della condensa (paragrafo 2.6.b)





3.11 MODALITÀ TIMER

- a. Questa modalità consente di programmare l'accensione o lo spegnimento dell'apparecchio.
- b. Il tempo di ritardo può essere impostato, attivato ed annullato sia da telecomando, sia da pannello di comando.

3.11.a Accensione programmata

- a. Quando l'apparecchio è in standby:
 - Sul pannello comandi:
 - premere il tasto  e impostare il tempo di ritardo di accensione con i tasti +/-.
 - Per attivare la funzione premere il tasto  o attendere circa 5 secondi affinché il tempo impostato sul display termini di lampeggiare (il display torna a visualizzare la temperatura ambiente).
 - L'icona  si accende.
 - Sul telecomando:
 - premere il tasto "TIMER ON" per entrare nella funzione quindi premere una o più volte il tasto "TIMER ON" fino ad impostare il tempo di ritardo di accensione.
 - Direzione il telecomando verso l'apparecchio; un beep conferma l'attivazione della funzione.
 - L'icona  sul pannello di comando e l'indicazione "Timer On" sul display del telecomando si accendono.
- b. Trascorso il tempo impostato l'apparecchio si avvia con le stesse impostazioni (modalità, temperatura e velocità di ventilazione) che aveva prima di spegnerlo.
- c. Il tempo è impostabile con step di 30 minuti fino a 10 ore e con step di 60 minuti da 10 a 24 ore.
- d. Avviando l'apparecchio o regolando l'impostazione del timer su "0.0h" la funzione di accensione programmata viene cancellata.

3.11.b Spegnimento programmato

- a. Quando l'apparecchio è in funzione, impostare il tempo di spegnimento ritardato.
 - Sul pannello comandi:
 - premere il tasto  e impostare il tempo di ritardo di spegnimento con i tasti +/-.
 - Per attivare la funzione premere il tasto  o attendere circa 5 secondi affinché il tempo impostato sul display termini di lampeggiare (il display torna a visualizzare la temperatura ambiente).
 - L'icona  si accende.
 - Sul telecomando:
 - premere il tasto "TIMER Off" per entrare nella funzione quindi premere una o più volte il tasto "TIMER Off" fino ad impostare il tempo di ritardo di spegnimento.
 - Direzione il telecomando verso l'apparecchio; un beep conferma l'attivazione della funzione.
 - L'icona  sul pannello di comando e l'indicazione "Timer Off" sul display del telecomando si accendono.
- b. Trascorso il tempo impostato l'apparecchio si spegne.


- c. Il tempo è impostabile con step di 30 minuti fino a 10 ore e con step di 60 minuti da 10 a 24 ore.
- d. Spegnendo l'apparecchio o regolando l'impostazione del timer su "0.0h" la funzione di spegnimento programmato viene cancellata.

3.12 ALTRE FUNZIONI

3.12.a Funzione SILENT

- **Questa funzione è attivabile solo dal pannello comandi dell'apparecchio ed è disponibile solo quando la temperatura dell'ambiente è compresa tra i 21 e 25 °C (71 e 77 F).**
- a. Con l'apparecchio in funzione premere il tasto SW8 (autoparlante); Il simbolo autoparlante si visualizza. La velocità di ventilazione si imposta automaticamente al minimo.
- b. Premere di nuovo il tasto per disattivare la funzione.

3.12.b Funzione SLEEP

- **Questa funzione è attivabile solo dal telecomando.**
- **Questa funzione non è disponibile nelle modalità Deumidificazione (DRY) e Solo Ventilazione (FAN).**
- a. Con l'apparecchio in funzione premere il tasto "SLEEP" sul telecomando.
Sul pannello comandi e sul display del telecomando si visualizza l'icona .
L'apparecchio diminuirà (in raffreddamento) o aumenterà (in riscaldamento) la temperatura impostata di 1°C (1 o 2 F) per 30 minuti.
- b. Successivamente l'apparecchio diminuirà (in raffreddamento) o aumenterà (in riscaldamento) la temperatura impostata di 1°C (1 o 2 F) per altri 30 minuti.
- c. Questa temperatura verrà mantenuta per 7 ore prima che ritorni alla temperatura originariamente selezionata.
Trascorso questo tempo l'apparecchio riprenderà a funzionare come originariamente programmato.
- d. Per interrompere la funzione premere il tasto "SLEEP" sul telecomando; si spegne l'icona sul pannello comandi e sul display del telecomando.

3.12.c Funzione FOLLOW ME

- **Questa funzione è attivabile solo dal telecomando.**
- **Questa funzione non è disponibile nelle modalità Deumidificazione (DRY) e Solo Ventilazione (FAN).**

In questa funzione il telecomando funge da termostato.

- a. Con l'apparecchio in funzione premere il tasto "FOLLOW ME" sul telecomando.
- b. Spostarsi con il telecomando in una zona della stanza diversa da dove è posizionato l'apparecchio (distanza massima 7÷8 metri) direzionandolo verso lo stesso e assicurandosi che tra di essi non vi siano ostacoli.
- c. Impostare la temperatura desiderata sul telecomando; l'apparecchio funziona fino a portare la temperatura della zona dove è posizionato il telecomando al valore impostato sullo stesso.
- d. Il telecomando invia un segnale all'apparecchio e se non riceve risposta entro un tempo massimo di 7 minuti la funzione si disattiva.
- e. Per spegnere la funzione premere il tasto "FOLLOW ME" sul telecomando o spegnere l'apparecchio.

3.12.d Impostazione unità di misura della temperatura

È possibile impostare l'unità di misura della temperatura ambiente e di quella impostata scegliendo tra °C (Celsius) oppure F (Fahrenheit).

Operare come segue:

- **Sul pannello comandi** premere contemporaneamente i tasti **+** e **-** per circa tre secondi. Sul display del pannello comandi si visualizza l'unità di misura desiderata.
- **Sul telecomando** tenere premuto il tasto centrale **TEMP** per circa tre secondi. Sul display del telecomando si visualizza l'unità di misura desiderata.



La variazione dell'unità di misura deve essere effettuata sia sul pannello comandi che sul telecomando.

3.12.e Direzione del flusso dell'aria

- **Questa funzione è attivabile solo dal telecomando.**
- a. Quando si avvia l'apparecchio, il flap (23) si apre completamente.
- b. Premendo il tasto "**SWING**" sul telecomando il flap inizia ad oscillare automaticamente.
- c. Per fermare il flap in una certa posizione, premere il tasto "**SWING**".
Premerlo di nuovo per riavviare l'oscillazione.

3.12.f Funzione Short Cut

- **Questa funzione è attivabile solo dal telecomando.**
- a. Quando l'apparecchio è in funzione in una qualsiasi delle modalità premendo il tasto "**SHORT CUT**" sul telecomando l'apparecchio si imposta direttamente in modalità "**AUTO**" con la temperatura impostata a 26°C (80 F).

3.12.g Auto-Restart

- a. Se l'apparecchio si spegne a causa dell'interruzione di corrente, al ripristinarsi dell'energia elettrica si riavvia automaticamente con le impostazioni precedenti.

4 - MANUTENZIONE E PULIZIA



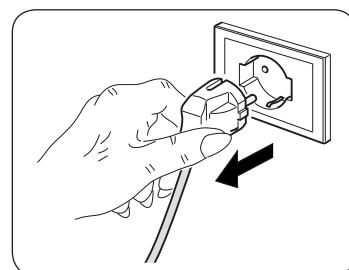
Prima di procedere ad un qualsiasi intervento di manutenzione e pulizia accertarsi sempre di aver staccato la spina di alimentazione dalla presa dell'impianto.



Non toccare le parti in metallo dell'apparecchio quando si toglie il filtro.
Rischio di farsi male con i bordi metallici affilati.



Non utilizzare acqua per pulire le parti interne del condizionatore.
L'esposizione all'acqua può rovinare l'isolamento, con il rischio di provocare scosse elettriche.



4.1 - PULIZIA

4.1.a - Pulizia dell'apparecchio e del telecomando

- a. Utilizzare un panno asciutto per pulire l'apparecchio e il telecomando.
- b. E' possibile utilizzare un panno inumidito con acqua fredda per pulire l'apparecchio se questo è molto sporco.



Non utilizzare un panno trattato chimicamente o antistatico per pulire l'apparecchio.



Non utilizzare, benzina, solvente, pasta per lucidare, o solventi similari. Questi prodotti potrebbero provocare la rottura o la deformazione della superficie in plastica.

4.1.b - Manutenzione dei filtri dell'aria

Il sistema filtrante è composto da un filtro a rete (fig. 32 rif. 27a) e da una serie di filtri addizionali che potete utilizzare a vostra scelta (fig. 32 rif. 15).

Per garantire una efficace filtrazione dell'aria interna ed un buon funzionamento del Vostro climatizzatore è indispensabile pulire periodicamente i filtri dell'aria.



I filtri addizionali devono essere sostituiti dopo circa 500 ore di funzionamento. Per un corretto funzionamento del sistema filtrante si consiglia di utilizzare unicamente ricambi originali.

4.1.c - Pulizia del filtro aria

Il filtro dell'aria sporco riduce la capacità di raffreddamento dell'apparecchio.

Provvedere, quindi, alla sua pulizia ogni due settimane.

- a. Sganciare la griglia (27) completa di filtro (27a) e sollevarla per rimuoverla dall'apparecchio (Fig.19).
- b. Rimuovere il filtro (27a) dalla griglia (27) (Fig.20).
- c. Pulire il filtro (27a) utilizzando un aspiratore o lavarlo con acqua, quindi metterlo ad asciugare in un luogo fresco.



Se il filtro (27a) è danneggiato provvedere alla sua sostituzione.

- d. Assicurarsi che il filtro (27a) sia completamente asciutto.
- e. Riposizionare il filtro (27a) nella griglia (27) prestando attenzione al suo corretto posizionamento (Fig.22).
- f. Aspirare eventuale lanuggine dalle lamelle (Fig.21).
- g. Posizionare la griglia (27) completa di filtro (27a) sul corpo apparecchio assicurandosi che sia correttamente agganciata (Fig.23).



Non utilizzare l'apparecchio senza il filtro (27a).

4.1.d - Pulizia del filtro aspirazione

Il filtro di aspirazione sporco riduce le prestazioni dell'apparecchio.

Provvedere, quindi, alla sua pulizia ogni due settimane.

- a. Sfilare il filtro (30) lateralmente (Fig.24).
- b. Pulire il filtro (30) utilizzando un aspiratore o lavarlo con acqua, quindi metterlo ad asciugare in un luogo fresco.



Se il filtro (30) è danneggiato provvedere alla sua sostituzione.

- c. Assicurarsi che il filtro (30) sia completamente asciutto.
- d. Riposizionare correttamente il filtro (30) nell'apposita sede (Fig. 25).
- e. Aspirare eventuale lanuggine dalla griglia (Fig. 25).



Non utilizzare il l'apparecchio senza il filtro (30).

4.1.e - Consigli per il risparmio energetico

Di seguito alcuni semplici consigli per ridurre i consumi:

- Mantenere sempre e costantemente puliti i filtri (vedi capitolo manutenzione e pulizia).
- Mantenere chiuse le porte e le finestre dei locali da climatizzare.
- Evitare che i raggi solari penetrino liberamente nell'ambiente (si consiglia l'utilizzo di tende o abbassare tapparelle o chiudere le persiane).
- Non ostruire la via di flusso dell'aria (in entrata ed in uscita) dell'apparecchio; ciò, oltre ad ottenere una resa non ottimale, pregiudica anche il suo corretto funzionamento e la possibilità di guasti irreparabili allo stesso.

4.2 - MANUTENZIONE

Se si prevede di non utilizzare l'apparecchio per un lungo periodo, eseguire quanto segue:

- a. Azionare la modalità solo ventilatore per qualche ora (circa 8÷10 ore) per asciugare l'interno dell'apparecchio.
- b. Arrestare il condizionatore e scollegare l'alimentazione.
- c. Pulire i filtri dell'aria.
- d. Scaricare completamente l'acqua di condensa.
- e. Avvolgere il cavo di alimentazione elettrica (34) sull'avvolgicavo (33) e inserire la spina nell'apposito alloggiamento (31) (Fig.31).
- f. Togliere le batterie dal telecomando.

Controlli prima di rimettere in funzione il condizionatore:

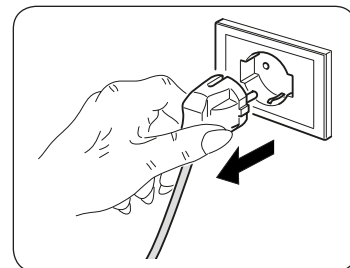
- a. Dopo un lungo periodo di inattività del condizionatore pulire i filtri.
- b. Controllare che l'uscita o l'ingresso dell'aria non siano ostruiti (soprattutto dopo un lungo periodo di inattività del condizionatore).

4.2.a - Scarico acqua di condensa

Quando l'acqua di condensa presente nel vassoio inferiore raggiunge il livello predeterminato, l'apparecchio emette un beep per 8 volte; sul pannello di comando si visualizza "P1" e l'apparecchio smette di funzionare (il motore del ventilatore continua a funzionare).

In questo caso:

- a. Scollegare la spina dalla presa di corrente.
- b. Spostare con cautela l'apparecchio in una posizione idonea a scaricare l'acqua.
- c. Rimuovere il tappo di scarico (32) e il tappino in gomma (32a) (Fig.26).



Assicurarsi di aver correttamente avvitato il tappo di scarico (32) onde evitare perdite di acqua.

- d. Far fuoriuscire tutta l'acqua.
- e. Riposizionare il tappino in gomma (32a) e avvitare il tappo di scarico (32) (Fig.27).
- f. Inserire la spina nella presa di corrente e riavviare la macchina fino quando l'indicazione "P1" si spegne.



Se l'errore si ripete, contattare un Centro di Assistenza.

4.2.b Codici di errore

Durante il funzionamento dell'apparecchio, potrebbero visualizzarsi delle anomalie che ne arrestano il funzionamento. In questi casi sul pannello di comando si visualizzano dei codici di errore.

- **P1** Vassoio inferiore pieno.
 - Svuotarlo operando come descritto nel paragrafo 4.2.a

- **F1** Pulizia filtri.
 - Ogni 250 ore di funzionamento del motore ventola si visualizza il messaggio **F1**. Procedere alla pulizia dei filtri (paragrafi 4.1.b - 4.1.c - 4.1.d) e resettare il conteggio ore tenendo premuto per 5 secondi il tasto "**ON/OFF**" sul pannello comandi dell'apparecchio.

- **E1** Errore sensore temperatura ambiente.
- **E2** Errore sensore temperatura evaporatore.
- **E3** Errore sensore temperatura condensatore
- **E4** Errore di comunicazione pannello display.

In questi casi:

- a. scollegare elettricamente l'apparecchio
- b. attendere qualche minuto
- c. collegare la spina nella presa di corrente
- d. riavviare l'apparecchio.



Se l'inconveniente persiste e il codice di errore non si spegne, scollegare elettricamente l'apparecchio e rivolgersi ad un Centro di Assistenza.

5 - DATI TECNICI

Per i dati tecnici, consultare la targa dati applicata sul prodotto (Fig.2).

• Dimensioni (L x A x P)	490 x 765 x 425 mm
• Limiti temperature di esercizio in Raffreddamento	17°C÷35°C (62 F ÷ 95 F)
• Limiti temperature di esercizio in Deumidificazione	13°C÷35°C (55 F ÷ 95 F)
• Limiti temperature di esercizio in Riscaldamento (pompa di calore)	5°C÷30°C (41 F ÷ 86 F)
• Gas refrigerante	R32

6 - GARANZIA PER USA

Caro cliente

Grazie mille per aver acquistato un condizionatore d'aria portatile Olimpia Splendid.

I termini della garanzia e dell'assistenza tecnica sono indicati nella documentazione che accompagna il prodotto.

Per qualsiasi informazione si prega di contattare: techservices@olimpiasplendidusa.com or (800) 408-5196

Si prega di registrare il vostro acquisto su: www.olimpiasplendidusa.com/warranty-registration

7 - SCHEMA ELETTRICO

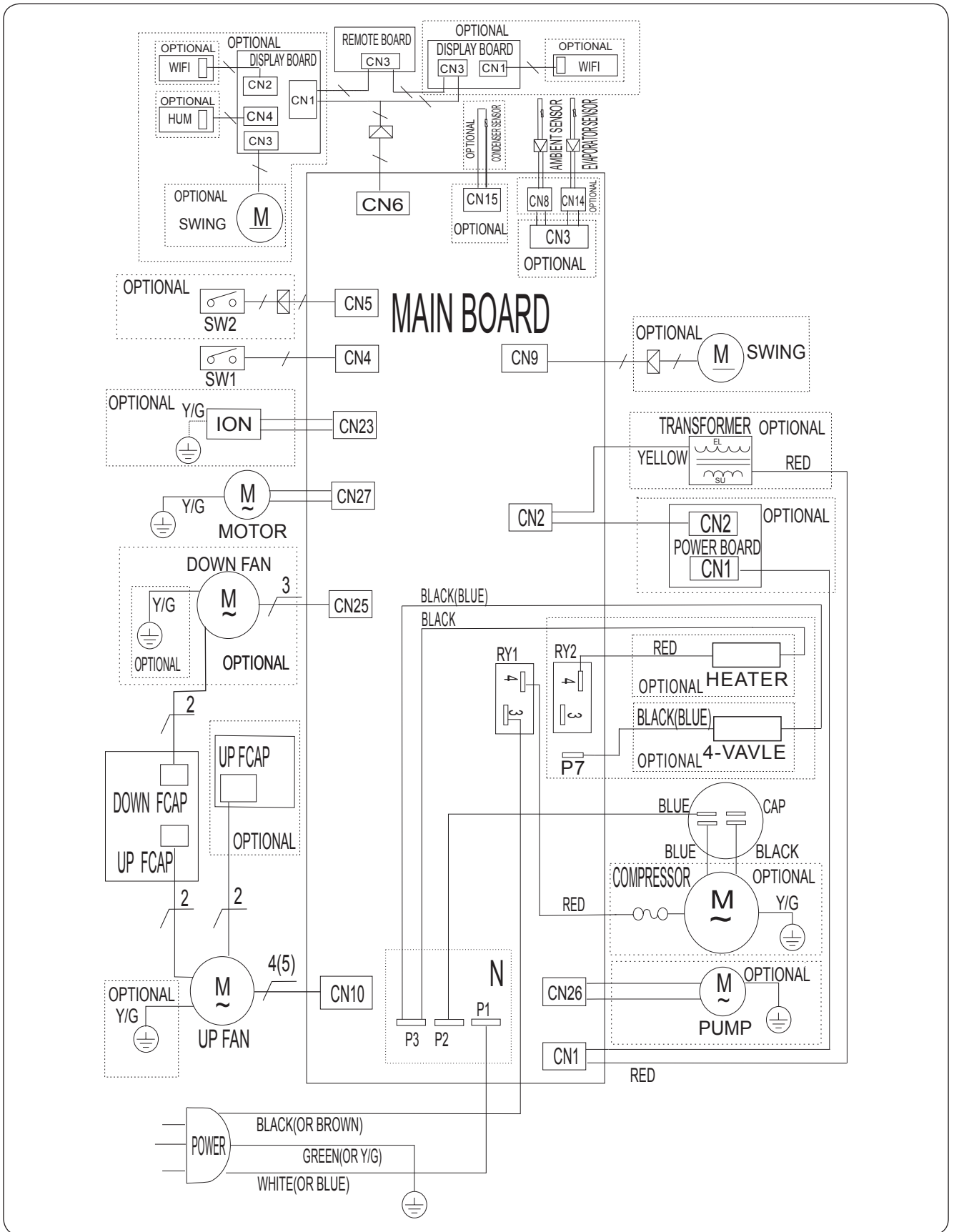
Per lo schema elettrico vedere pagina "IT-27".

8 - INCONVENIENTI E POSSIBILI RIMEDI

MALFUNZIONAMENTO	CAUSA	COSA OCCORRE FARE?
L'apparecchio non funziona.	Manca la corrente. La spina è disinserita.	Attendere. Inserire la spina nella presa di corrente.
L'apparecchio non si accende.	P1 Error Code In modalità RAFFREDDAMENTO: la temperatura ambiente è inferiore alla temperatura impostata	Il vassoio di raccolta dell'acqua è pieno. Spegnerne l'apparecchio, scaricare l'acqua dal vassoio di raccolta quindi riavviare l'apparecchio. Resettare la temperatura
L'apparecchio funziona solo per poco tempo.	La temperatura impostata è troppo vicina alla temperatura ambiente. Vi sono ostacoli sull'aspirazione dell'aria esterna.	Abbassare la temperatura impostata. Togliere gli ostacoli. Chiamare il Centro assistenza.
L'apparecchio non raffredda bene	I filtri dell'aria sono ostruiti da polvere, lanugine o peli di animali Il tubo di scarico non è collegato o è bloccato L'apparecchio ha un basso livello di refrigerante L'impostazione della temperatura è troppo alta Le finestre e le porte nel locale sono aperte L'area del locale è troppo grande Ci sono fonti di calore all'interno della stanza	Spegnerne l'apparecchio e pulire i filtri seguendo le istruzioni Spegnerne l'apparecchio, scollegare il tubo, rimuovere l'eventuale ostruzione e ricollegare il tubo di scarico Contattare un centro di assistenza per far ispezionare l'apparecchio e rabboccare il refrigerante Ridurre la temperatura impostata Assicurarsi che tutte le finestre e le porte siano chiuse Ricontrollare l'area di raffreddamento Rimuovere le fonti di calore, se possibile
L'apparecchio è rumoroso e vibra eccessivamente	Il piano di appoggio dell'apparecchio non è livellato I filtri dell'aria sono ostruiti da polvere, lanugine o peli di animali	Collocare l'apparecchio su una superficie piana e livellata Spegnerne l'apparecchio e pulire i filtri seguendo le istruzioni
L'apparecchio emette un suono anormale	Questo suono è causato dal flusso di refrigerante all'interno dell'unità	È del tutto normale
Durante lo spostamento del climatizzatore esce acqua.	Il climatizzatore viene inclinato o coricato.	Prima degli spostamenti svuotare l'acqua.
In modalità raffreddamento, notturno o automatico non è selezionabile la minima velocità.	La temperatura ambiente è troppo bassa	Il comportamento del climatizzatore è normale

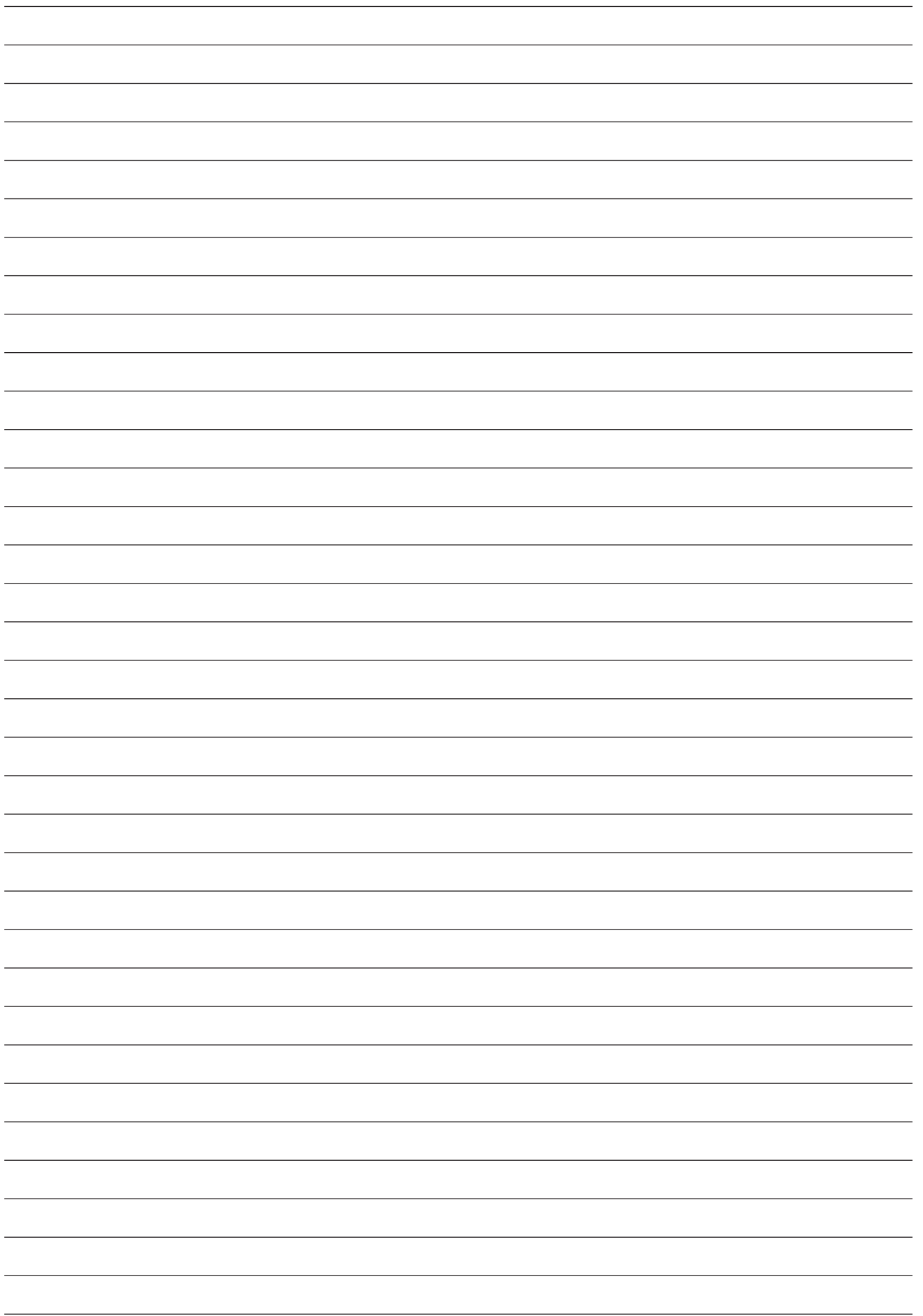
Non cercare di riparare l'apparecchiatura da soli.

Se il problema non è stato risolto, contattare il rivenditore locale o il servizio di assistenza più vicino. Fornire informazioni dettagliate sul malfunzionamento e sul modello dell'apparecchiatura.



OPTIONAL

***This symbol indicates the element is optional.
 Este símbolo indica que el elemento es opcional.
 Questo simbolo indica che l'elemento è opzionale.***



OLIMPIA SPLENDID USA
514 South 5th Avenue
Mount Vernon, NY 10550 USA
Phone/fax: (800) 408-5196

Technical data and aesthetic characteristic of the products may change. Olimpia splendid reserves the right to change them at any moment without notice.

Los datos técnicos y las características estéticas de los productos podrían cambiar. Olimpia splendid se reserva el derecho de modificarlos en cualquier momento sin aviso.

I dati tecnici e le caratteristiche estetiche dei prodotti possono subire cambiamenti. Olimpia splendid si riserva di modificarli in ogni momento senza preavviso.