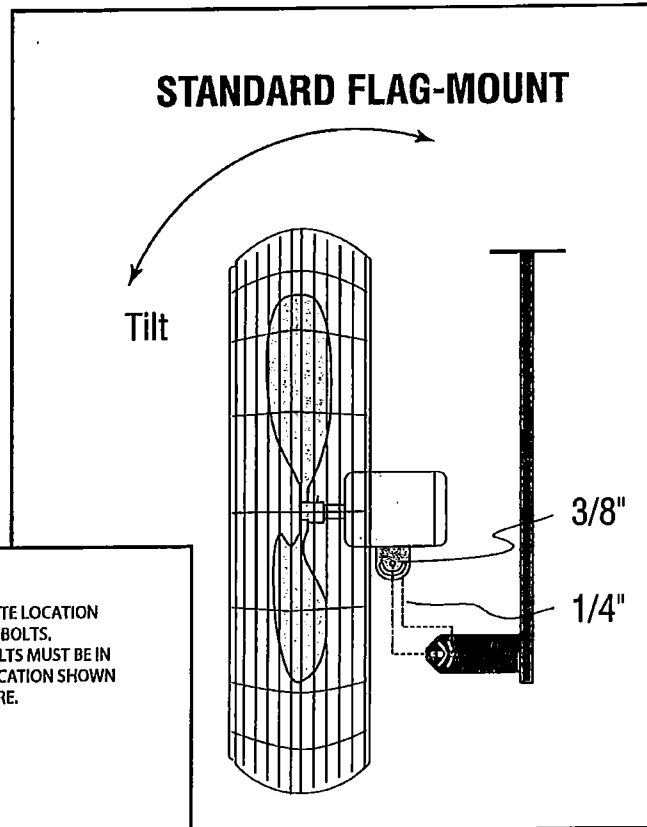
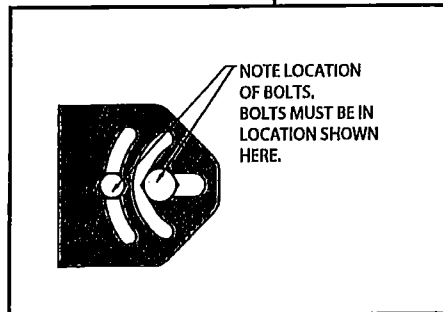


Fan Installation as follows:

1. Choose your fan location so there is a minimum of five feet of unrestricted air flow to the back side of the fan.
2. Once the location of the circulation fan has been established you must provide a sufficient mounting surface. (Bottom of rafter, floor joist, etc.) We recommend a minimum of 84" to bottom of unit.

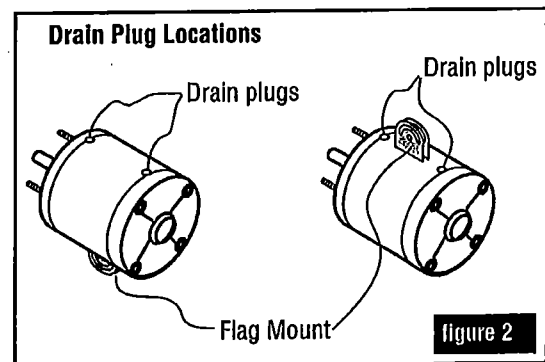
STANDARD SOLID MOUNT INSTALLATION

- 1) Secure fan bracket with the lag bolts.
- 2) Mount fan to bracket with the hex bolts, washers and hex nuts. Finger tighten only
- 3) Adjust the fan's tilt angle then tighten the nuts securely.



WIRING: ALL FANS

1. **IMPORTANT** Pull the plastic drain plug on the *shaft end* of the motor's *lower side* to allow condensation to drain. See figure 2 for plug locations.
2. See wiring diagram on the fan motor for 115V. or 230V. wiring.
3. We recommend a switch be mounted by each fan at the time of installation by a licensed electrician. This makes it convenient for service and safety. Always fuse the electrical line supply voltage to fan and use a licensed electrician at all times.
4. Before turning fan on check blade tightness and blade clearance.



Maintenance Instructions

For maximum efficiency keep blades and fan guard free of dust or dirt build up. The motor is a totally enclosed air over so it should also be cleaned when dust or dirt has collected. The motor is a sealed ball bearing and does not require any oil. Keeping your fan clean insures many years of trouble free operation at maximum efficiency.