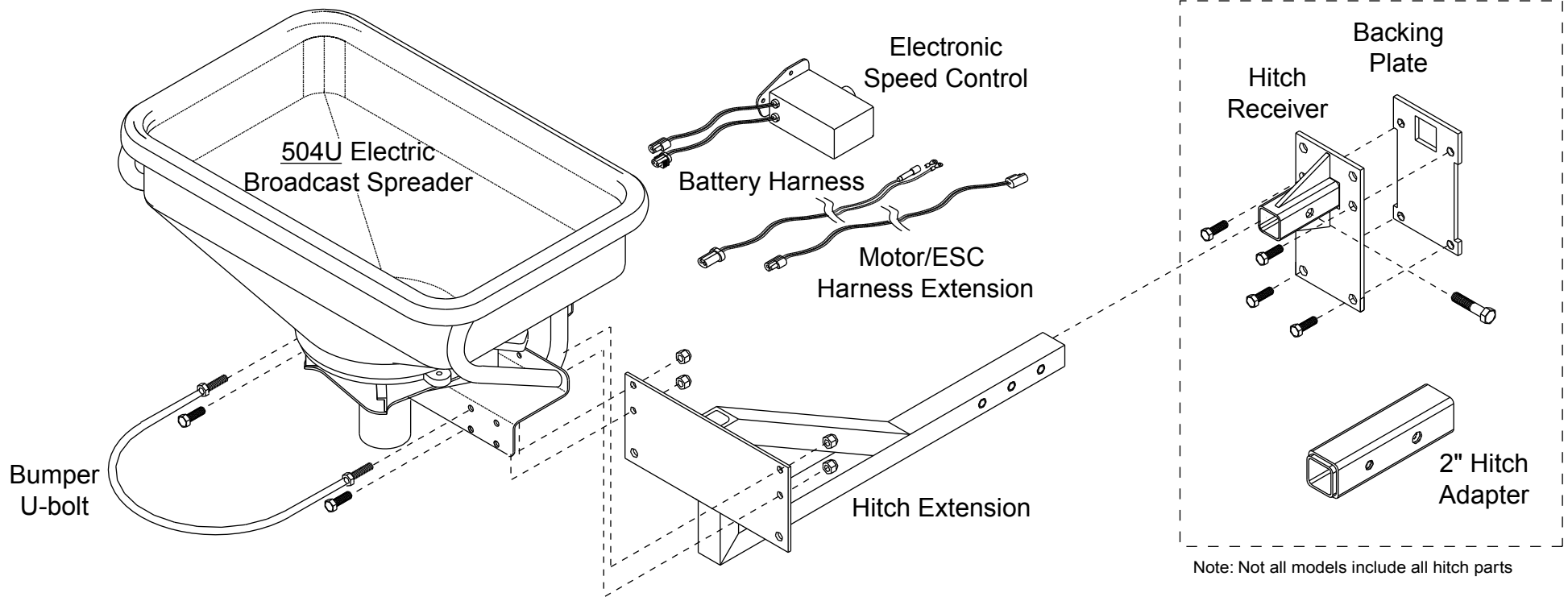


# JRCO Utility Vehicle Receiver Hitch Mount



1. Attach the Hitch Extension to the Broadcaster using the bumper u-bolt, two 3/8-16 x 3/4 hex head bolts and four 3/8 nylon locknuts as shown.

2. Attach the Receiver Hitch.

- John Deere Gator front hitch - Bolt the receiver to the bumper using the backing  plate and four 1/2-13 x 2 1/2" hex head bolts.
- John Deere Gator rear hitch - Bolt the receiver hitch to the Gator frame using four  1/2-13 x 1" hex head bolts and nylon locknuts.
- John Deere Gator HPX front hitch - bolt the receiver hitch to the Gator HPX frame  using four 1/2-13 x 1" hex head bolts and nylon locknuts.

3. Secure hitch extension to receiver hitch with a 1/2-13 x 1 1/4" hex head bolt. Tighten to eliminate wobble.

4. Connect battery harness to Utility Vehicle battery. Attach red wire to positive (+), and black wire to ground/negative (-).

5. Mount electronic speed control on Utility Vehicle near operator. Connect to motor with supplied harness extension.



Tighten Draw Bolt