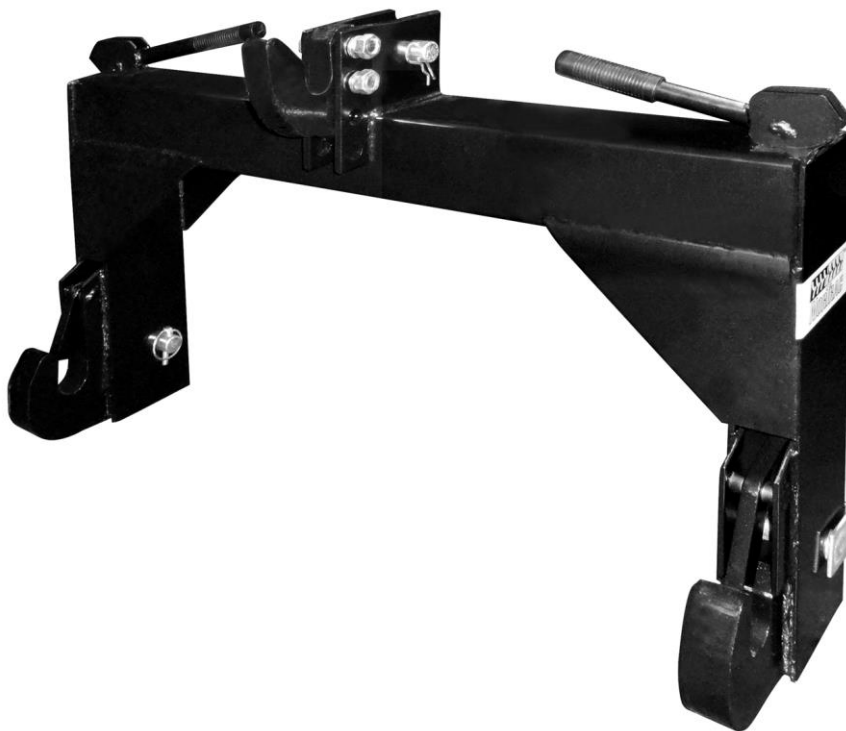




3-Pt. Quick Hitch

Owner's Manual



! **WARNING:** Read carefully and understand all ASSEMBLY AND OPERATION INSTRUCTIONS before operating. Failure to follow the safety rules and other basic safety precautions may result in serious personal injury.

Item #51551 & #51476

SAVE THESE INSTRUCTIONS

Thank you very much for choosing a Nortrac™ product!

For future reference, please complete the owner's record below:

Serial Number/Lot Date Code: _____

Purchase Date: _____

Save the receipt, warranty, and this manual. It is important that you read the entire manual to become familiar with this product before you begin using it.

This 3-Pt. Quick Hitch is designed for certain applications only. Northern Tool & Equipment is not responsible for issues arising from modification or improper use of this product such as an application for which it was not designed. We strongly recommend that this product not be modified and/or used for any application other than that for which it was designed.

For technical questions, please call **1-800-222-5381**.

Table of Contents

Intended Use.....4

Technical Specifications4

Important Safety Information4

Specific Operation Warnings5

Assembly Instructions.....6

Before Each Use.....7

Maintenance8

Parts Diagram.....9

Parts List.....10

Replacement Parts10

Limited Warranty11

Intended Use

Expand the functionality of your tractor with this heavy-duty, steel NorTrac 3-Pt. Quick Hitch. With two spring-loaded handles, you can quickly attach implements that let you plow snow, lift logs, and work fields without leaving the seat of your tractor.

Technical Specifications

Item#	Category Type
51551	1
51476	2

Important Safety Information

⚠ WARNING

- Read and understand all instructions. Failure to follow all instructions may result in serious injury or property damage.
- The warnings, cautions, and instructions in this manual cannot cover all possible conditions or situations that could occur. Exercise common sense and caution when using this Quick Hitch. Always be aware of the environment and ensure that the tool is used in a safe and responsible manner.
- Do not allow persons to operate or assemble the Quick Hitch until they have read this manual and have developed a thorough understanding of how it works.
- Do not modify this Quick Hitch in any way. Unauthorized modification may impair the function and/or safety and could affect the life of the Quick Hitch. There are specific applications for which the product was designed.
- Use the right tool for the job. DO NOT attempt to force small equipment to do the work of larger industrial equipment. There are certain applications for which this equipment was designed. It will be safer and do a better job at the capacity for which it was intended. DO NOT use this Quick Hitch for a purpose for which it was not intended.
- Industrial or commercial applications must follow OSHA requirements.

⚠ WARNING

WORK AREA SAFETY

- Inspect the work area before each use. Keep work area clean, dry, free of clutter, and well lit. Cluttered, wet, or dark work areas can result in injury. Using the Quick Hitch in confined work areas may put you dangerously close to other cutting tools and rotating parts.
- Do not allow the Quick Hitch to come into contact with an electrical source. The Quick Hitch is not insulated and contact will cause electrical shock.
- Keep children and bystanders away from the work area while operating the Quick Hitch. Do not allow children to handle the Quick Hitch.
- Be aware of all power lines, electrical circuits, water pipes, and other mechanical hazards in your work area. Some of these hazards may be hidden from your view and may cause personal injury and/or property damage if contacted.

⚠ WARNING

PERSONAL SAFETY

- Stay alert, watch what you are doing, and use common sense when operating the Quick Hitch. Do not use the Quick Hitch while you are tired or under the influence of drugs, alcohol, or medication. A moment of inattention while operating the tool may result in serious personal injury.
- Dress properly. Do not wear loose clothing, dangling objects, or jewelry. Keep your hair, clothing, and gloves away from moving parts. Loose clothes, jewelry, or long hair can be caught in moving parts. Air vents on the tool often cover moving parts and should be avoided.
- Wear the proper personal protective equipment when necessary. Use ANSI Z87.1 compliant safety goggles (not safety glasses) with side shields, or when needed, a face shield. Use a dust mask in dusty work conditions. Also use non-skid safety shoes, hardhat, gloves, dust collection systems, and hearing protection when appropriate. This applies to all persons in the work area.
- Do not overreach. Keep proper footing and balance at all times.
- Remove keys or wrenches before connecting the Quick Hitch to an air supply, power supply, or turning it on. A wrench or key that is left attached to a rotating part of the Quick Hitch may cause personal injury.
- Secure the work with clamps or a vise instead of your hand when practical. This safety precaution allows for proper tool operation using both hands.

⚠ CAUTION

PRODUCT USE AND CARE

- Do not force the Quick Hitch. Products will be safer and do a better job when used in the manner for which they are designed. Plan your work, and use the correct product for the job.
- Check for damaged parts before each use. Carefully check that the Quick Hitch will operate properly and perform its intended function. Replace damaged or worn parts immediately. Never operate the Quick Hitch with a damaged part.
- Store the Quick Hitch when it is not in use. Store it in a dry, secure place out of the reach of children. Inspect the Quick Hitch for good working condition prior to storage and before re-use.
- Use only accessories that are recommended by the manufacturer for use with your Quick Hitch. Accessories that may be suitable for one product may create a risk of injury when used with another tool. Never use an accessory that has a lower operating speed or operating pressure than the Quick Hitch itself.
- Keep guards in place and in working order. Never operate the Quick Hitch without the guards in place.

Specific Operation Warnings

⚠ WARNING

CRUSHING HAZARD

To prevent serious injury or death:

- Read and understand the Owner's Manual before operating, servicing, or repairing equipment.
- Stop the engine, remove the key, and set brake before dismounting the tractor.

- DO NOT stand between the implement and the tractor
- Make sure the parking brake is engaged before going between the tractor and the implement.
- Operate the controls from the tractor seat only.
- Never allow riders on equipment.
- Keep bystanders at least 25 feet away.
- Store out of reach of children. Not for use by or around children.

PINCH POINT HAZARD

To prevent serious injury or death:

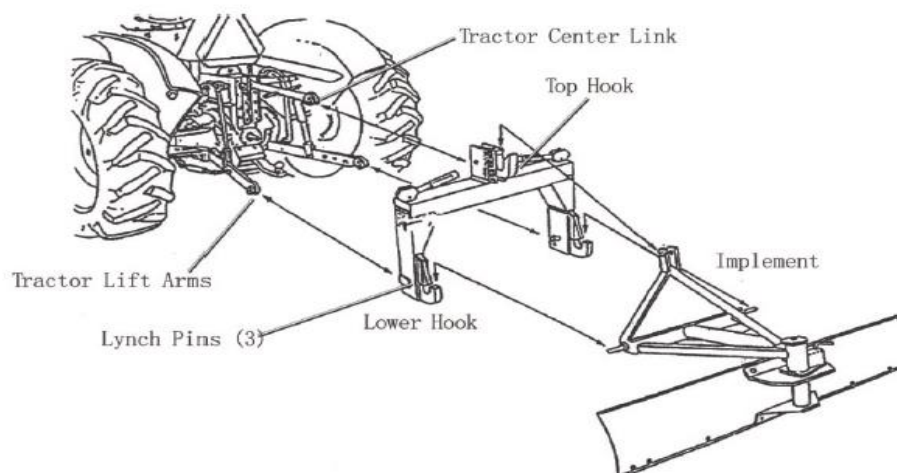
- The implement is heavy. Use extreme caution when handling various parts of the machine. Hands, fingers, and other body parts could be crushed or pinched between the tractor and the implement.
- DO NOT service the equipment while attached to the tractor.

Assembly Instructions

NOTE: It is recommended that two people assist in the setting up of the Quick Hitch.

1. Fasten the Quick Hitch to the tractor's lift arms using the solid link pins (not provided) with a flat bracket on one end and lynch pins (3). See the illustration below.
2. Fasten the tractor's center link to the top bracket of the Quick Hitch using a common link pin (not provided). Place the tractor lift arms into the lower pin holes and insert lynch pins and locking clips.
3. Install a common top link pin (not provided) on the implement's top framework for the Quick Hitch's top hook to grab on. NOTE: This top hook is adjustable.
4. Insert the implement's lower mounts inside the hitch hooks and lock by pressing down the latch handles.
5. Check that all connections are tight before starting the work task.

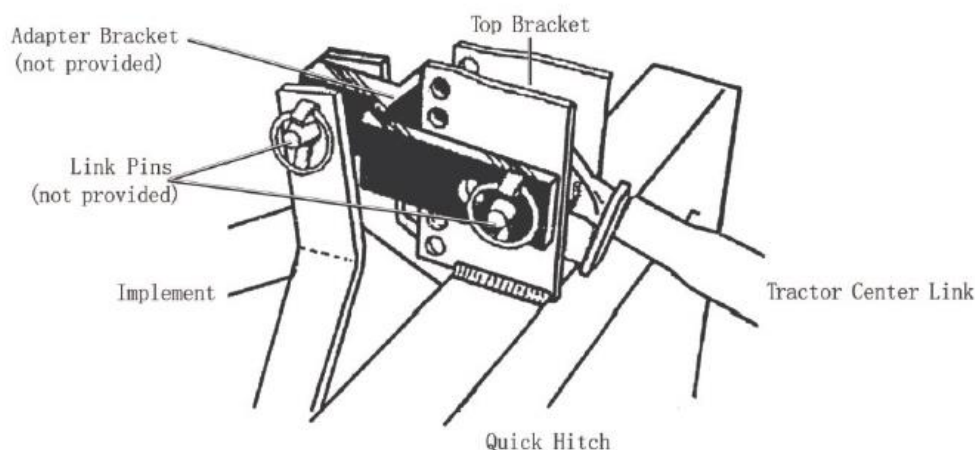
NOTE: If the tractor has stabilizer arms, they will not fit into the Quick Hitch mounting area along with the lift arms. For this reason, use stabilizer chains or some other common, longer mounting pin (not provided) to fasten the Quick Hitch to the tractor.



Mounting Non-ASAE Implements

If the implement does not have ASAE specifications, use an adapter bracket (not provided) to mount it to the Quick Hitch as illustrated below.

1. Remove the top hook by taking out the two hex bolts (2), lock washers (6), and a nut (7). Save the hardware.
2. Slide the adapter bracket (not provided) over the top bracket of the Quick Hitch, and attach the top link pin (not provided).
3. For most implements, the front hoe (closest to the implement) is recommended for the best vertical alignment.
4. Attach the implement to the adapter bracket tab with a link pin (not provided).
5. Check that all connections are tight before starting the work task.



Before Each Use

When using this Quick Hitch, basic safety precautions should always be followed to reduce the risk of personal injury and damage to equipment. Read all instructions before using this Quick Hitch!

1. Keep work area clean. Cluttered areas invite injuries.
2. Store idle equipment. When not in use, tools must be stored in a dry location to inhibit rust. Always lock up tools and keep them out of reach of children.
3. Do not overreach. Keep proper footing and balance at all times.
4. Maintain tools with care. Keep tools clean for better and safer performance.
5. Remove adjusting keys and wrenches. Check that keys and adjusting wrenches are removed from the tool or machine work surface before plugging it in.
6. Check for damaged parts. Before using any tool, any part that appears damaged should be carefully checked to determine that it would operate properly and perform its intended function. Check for alignment and binding of moving parts, any broken parts or mounting fixtures, and any other condition that may affect proper operation. Any part that is damaged should be properly repaired or replaced by a qualified technician.

7. Replacement parts and accessories. When servicing, use only identical replacement parts. Use of any other parts will void the warranty. Only use accessories intended for use with this tool. Approved accessories are available from the distributor.
8. For your safety, service and maintenance should be performed regularly by a qualified service technician.

Product Specific Safety Precautions

1. Moving parts may cause injury. Keep hands, hair, loose clothing, and tools away from moving parts of the hitch. Keep spectators away at a safe distance.
2. Use the hitch on a proper surface locate on a flat, level and solid surface that is capable of supporting the weight of the hitch and attached implement, plus the load.
3. Avoid accidents while using the hitch and its attached implement. This tool is for off-road use only.

⚠ WARNING

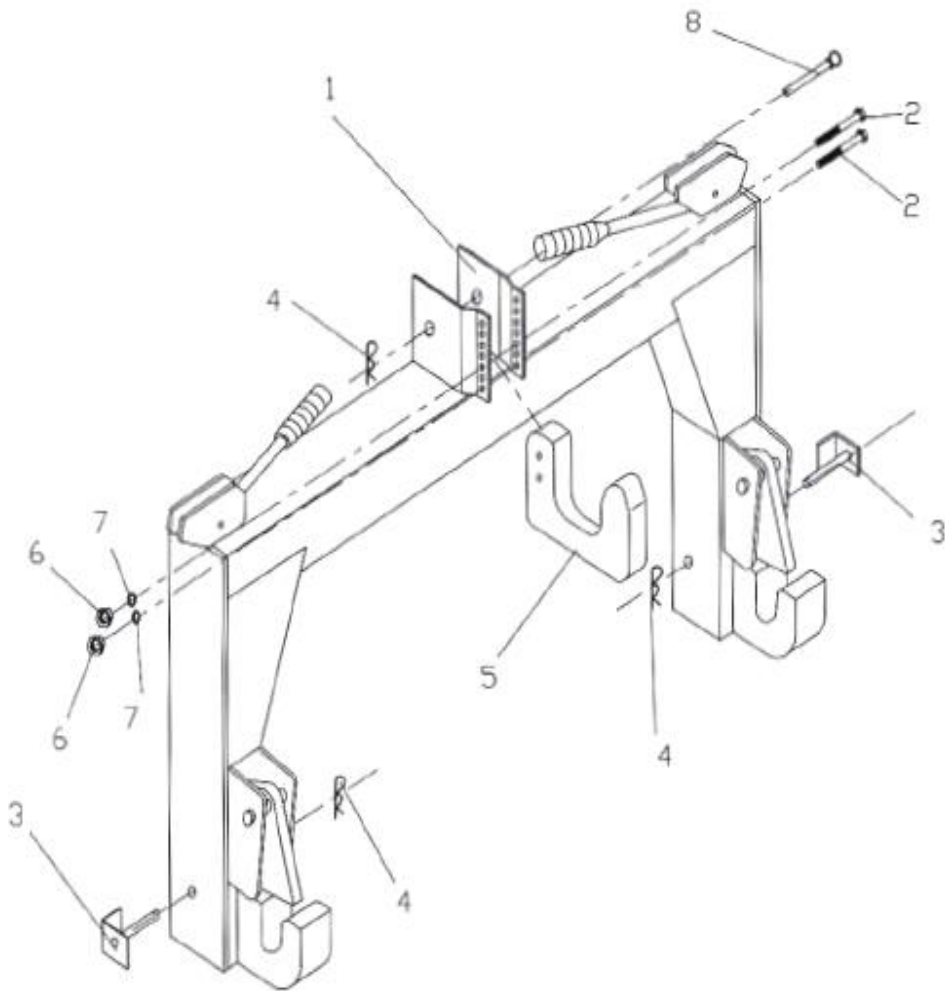
The warning, cautions, and instructions discussed in this instruction cannot cover all possible conditions and situations that may occur. It must be understood by the operator that common sense and caution are factors which cannot be built into this product, but must be supplied by the operator.

Maintenance

Clean, inspect, service, and make necessary repairs to the hitch when parking it for long periods and when parking it at the end of a working season. This will help ensure that the hitch is ready for field use the next time you hook up to it. Clean off any dirt or grease that may have accumulated on the hitch. Scrape off compacted dirt and then wash the surface thoroughly with a garden hose.

4. Inspect the hitch for loose, damaged, or worn parts. Adjust and tighten loose parts or replace if necessary.
5. Clean dirt, oil, and grease from areas where the paint has been worn, chipped, or scratched. Prime any bare metal surfaces after cleaning and repaint to prevent rust.
6. A light coat of oil or grease may be applied to the cutting blade to minimize oxidation.
7. Follow the unhooking instructions when disconnecting the hitch from the tractor.
8. Store the hitch in a clean, dry place. Inside storage will reduce the maintenance and make for a longer hitch life.
9. Lay the unit on the ground or ensure that the main frame is stable by using auxiliary supports, such as planted posts, to prevent the possibility of the unit tipping over.

Parts Diagram



Parts List

Reference	Description	Quantity
1	main frame weldment	1
2	bolt M12x65	2
3	linch pin	2
4	locking clip	3
5	hook	1
6	nut M12	2
7	lock washer 12	2
8	top link pin	1

Replacement Parts

- For replacement parts and technical questions, please call Customer Service at **1-800-222-5381**.
- Not all product components are available for replacement. The illustrations provided are a convenient reference to the location and position of parts in the assembly sequence.
- When ordering parts, the following will be required: Model Number, Serial Number/Lot Date Code, Description, and Reference Number.
- The distributor reserves the rights to make design changes and or improvements to product lines and manuals without notice.

Limited Warranty

Northern Tool and Equipment Company, Inc. ("We" or "Us") warrants to the original purchaser only ("You" or "Your") that the Nortrac product purchased will be free from material defects in both materials and workmanship, normal wear and tear excepted, for a period of **one year** from date of purchase. The foregoing warranty is valid only if the installation and use of the product is strictly in accordance with product instructions. There are no other warranties, express or implied, including the warranty of merchantability or fitness for a particular purpose. If the product does not comply with this limited warranty, Your sole and exclusive remedy is that We will, at our sole option and within a commercially reasonable time, either replace the product or product component without charge to You or refund the purchase price (less shipping). This limited warranty is not transferable.

Limitations on the Warranty

This limited warranty does not cover: (a) normal wear and tear; (b) damage through abuse, neglect, misuse, or as a result of any accident or in any other manner; (c) damage from misapplication, overloading, or improper installation; (d) improper maintenance and repair; and (e) product alteration in any manner by anyone other than Us, with the sole exception of alterations made pursuant to product instructions and in a workmanlike manner.

Obligations of Purchaser

You must retain Your product purchase receipt to verify date of purchase and that You are the original purchaser. To make a warranty claim, contact Us at 1-800-222-5381, identify the product by make and model number, and follow the claim instructions that will be provided. The product and the purchase receipt must be provided to Us in order to process Your warranty claim. Any returned product that is replaced or refunded by Us becomes our property. You will be responsible for return shipping costs or costs related to Your return visit to a retail store.

Remedy Limits

Product replacement or a refund of the purchase price is Your sole remedy under this limited warranty or any other warranty related to the product. We shall not be liable for: service or labor charges or damage to Your property incurred in removing or replacing the product; any damages, including, without limitation, damages to tangible personal property or personal injury, related to Your improper use, installation, or maintenance of the product or product component; or any indirect, incidental or consequential damages of any kind for any reason.

Assumption of Risk

You acknowledge and agree that any use of the product for any purpose other than the specified use(s) stated in the product instructions is at Your own risk.

Governing Law

This limited warranty gives You specific legal rights, and You also may have other rights which vary from state to state. Some states do not allow limitations or exclusions on implied warranties or incidental or consequential damages, so the above limitations may not apply to You. This limited warranty is governed by the laws of the State of Minnesota, without regard to rules pertaining to conflicts of law. The state courts located in Dakota County, Minnesota shall have exclusive jurisdiction for any disputes relating to this warranty.



Distributed by:

Northern Tool & Equipment Company, Inc.

Burnsville, Minnesota 55306

www.northerntool.com

Made in China