



**marath·n**

# Tire Manual

**Northern Tool Item #:** 50856

**Marathon Part #:** 30050

**Description:** Flat Free, 4.10/3.50-4" sawtooth; 5/8" bearing bore; offset 2.25" hub

# Contents



<b>Safety Information .....</b>	<b>3</b>
<b>Customer Service.....</b>	<b>3</b>
<b>Tire Spec. Information .....</b>	<b>4</b>
<b>Tire Uses .....</b>	<b>4</b>
<b>Installation Instructions .....</b>	<b>5</b>
<b>Bearing Replacement .....</b>	<b>6</b>

# 1. Safety Information

Use gloves to install



Wear safety glasses



Not for highway use.

## Customer Service

If you have any questions regarding this product, please don't hesitate to contact us.

### **Toll Free**

877-425-1640  
253-893-7021

### **Online**

Email: [sales@marathonind.com](mailto:sales@marathonind.com)  
Website: [www.marathonind.com](http://www.marathonind.com)

### **How-To Videos**

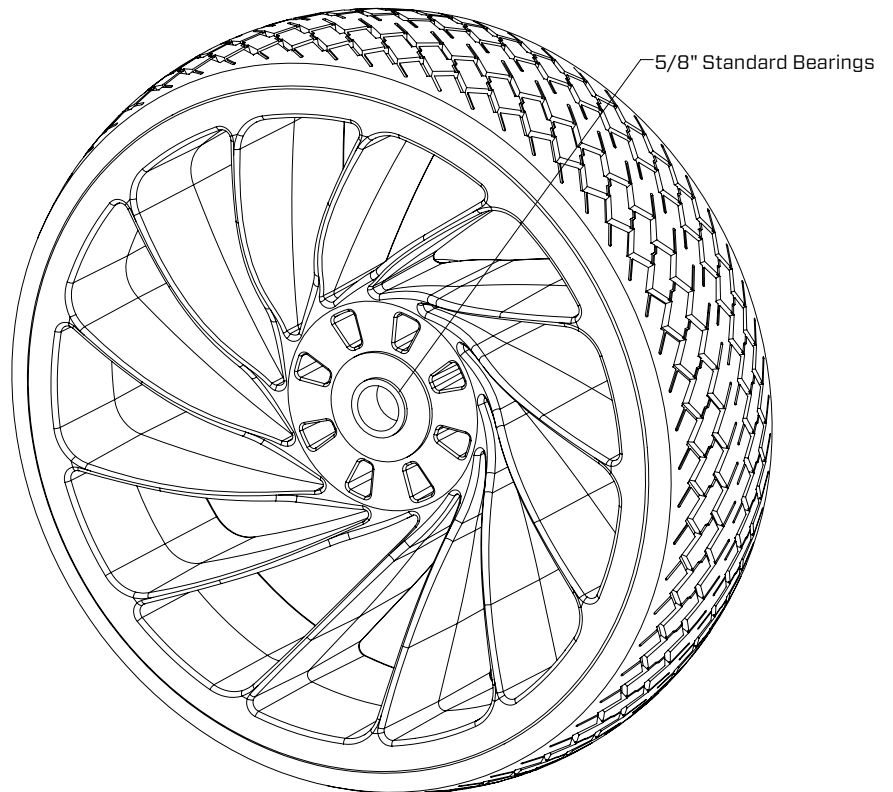
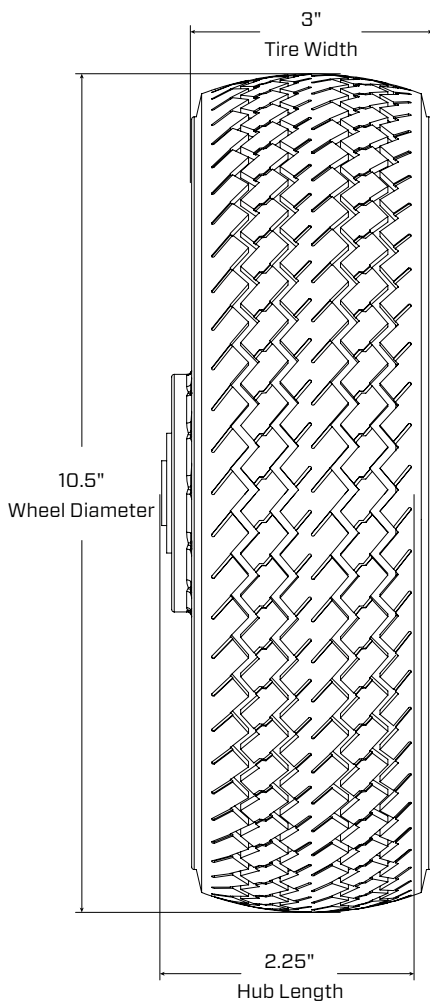
If you have any doubts, check out our [How-To videos online](#)

# 2. Tire Spec. Information

**Northern Tool Item #:** 50856

**Marathon Part #:** 30050

**Description:** Flat Free, 4.10/3.50-4" sawtooth; 5/8" bearing bore; offset 2.25" hub



## Tire Uses



**Pressure Washer**



**Generator**



**Hand Truck**



**Spreader**

# 3. Installation Instructions

## Note:

These installation instructions apply for installation on most standard hand trucks.  
For installation on other equipment, please see original equipment manufacturer's manual.

You will need: Pliers, Gloves, Eye Protection, New Marathon Tire.



1

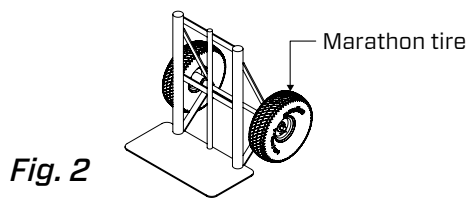
### Step One:

Put on your gloves and eye protective-wear.  
Put the hand truck on the ground or on a solid surface with the wheels facing up.

3

### Step Three:

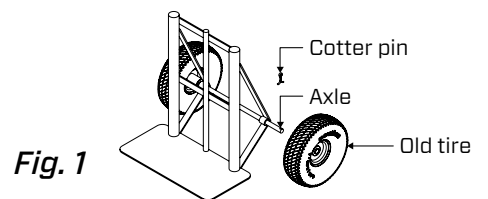
Replace your old tire with your new Marathon Tire and secure the tire to the axle using the item removed in step number two.  
Repeat the process to replace the other hand truck tire (*Fig. 2*).



2

### Step Two:

Remove your old tire from your hand truck axle. Typically your tire will be held on by a cotter pin, lock washer, or an axle cap. You will need to remove the item that holds on your wheel and remove the old tire from the axle (*Fig. 1*).



## Videos:

For a demonstration video, please visit the following link:

<http://www.youtube.com/watch?v=WLF8nr4KEzU>

# 4. Bearing Replacement

You will need: Hammer, Screwdriver, Block of Wood, Replacement Bearings, Gloves and Eye Protection.



1

## Step One:

Prop the tire up to allow room for the bearings to be removed from the hub. For example, you may use a bucket.

2

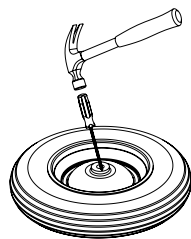
## Step Two:

Place the screwdriver through the bearing hole until it hits the backside of the bearing on the opposite side.

3

## Step Three:

Hit the top of the screwdriver with a hammer until the bearing pops out into the bucket below (*Fig. 1*).



*Fig. 1*

4

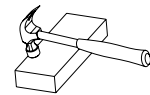
## Step Four:

Turn the tire over and repeat steps 1-3 so that both bearings are removed from the hub.

6

## Step Six:

Hammer directly onto the block of wood to get the bearing in the hub (the wood block will give you a more even hit). This will require a few hard pounds (*Fig. 2*). Repeat on the other side to install both bearings.



*Fig. 2*

5

## Step Five:

To reinstall bearings, rest the new bearing on the opening in the hub and place the block of wood on top of the bearing to avoid hitting the bearing directly (*Fig. 2*).

## Helpful Hints:

If the bearing drops freely into the hub prior to hitting with a hammer, remove the bearings and tap gently along the edge of the hub to create a tighter fit for the bearing.

Change location on the backside of the bearing periodically for easier removal.



**marathon**

**Toll Free**

877-425-1640

253-893-7014

**Email:** [sales@marathonind.com](mailto:sales@marathonind.com)

**Website:** [www.marathonind.com](http://www.marathonind.com)