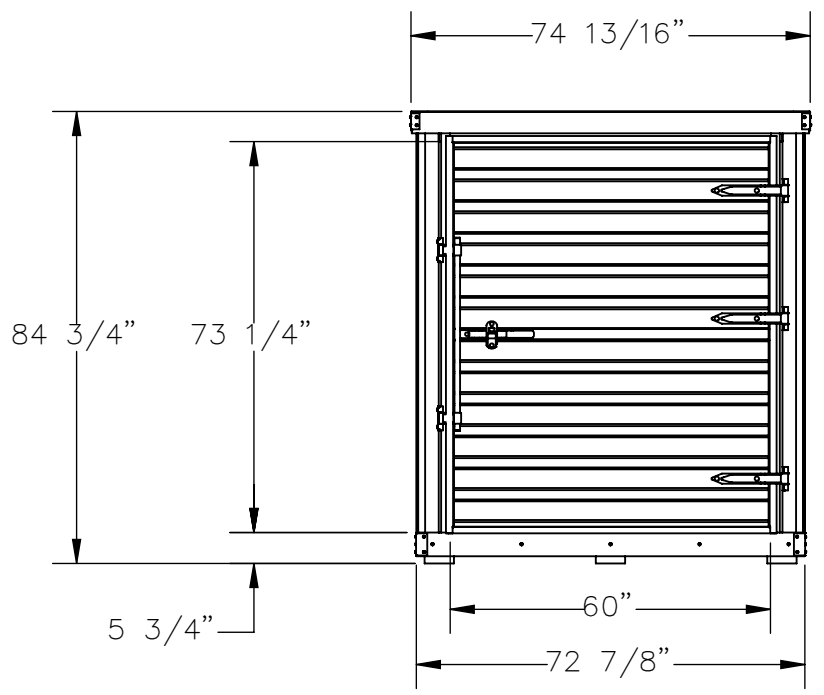
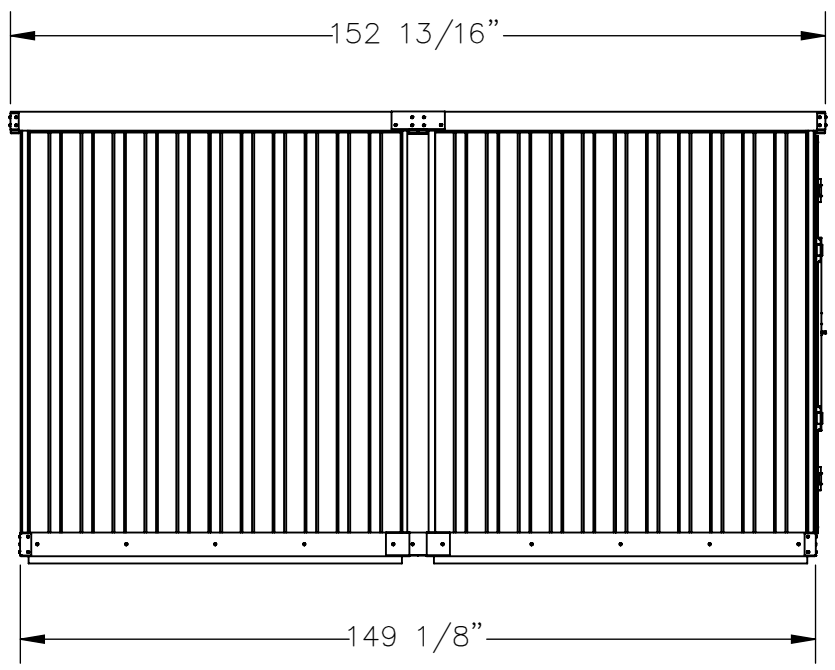


DOUBLE DEPTH STORAGE BUILDING, WIDE DOOR - STOR-612-G-W-1RH-WD

APPROX WEIGHT: 1059.67 lbs.
 DOES NOT INCLUDE WEIGHT OF POWER OR PACKAGING!!!

*** ANY ADDITIONS, DELETIONS, OR OMISSIONS MUST BE CORRECTED ON THIS DRAWING AS THIS DRAWING WILL BE CONSIDERED ALL INCLUSIVE ***
 ALL GRAPHICS PROVIDED ARE FOR REFERENCE ONLY. IF CERTAIN DIMENSIONS ARE CRITICAL PLEASE VERIFY THOSE DIMENSIONS WITH YOUR SALESPERSON



DIMENSION TOLERANCE ± 1/4"

STANDARD FEATURES

- MODEL NUMBER IS STOR-612-G-W-1RH-WD
- UNIFORM FLOOR CAPACITY IS 5,500 LBS.
- OVERALL WIDTH IS 74 13/16"
- USABLE WIDTH IS 69 7/16" (NOT SHOWN)
- OVERALL DEPTH IS 152 13/16"
- USABLE DEPTH IS 145 11/16" (NOT SHOWN)
- OVERALL HEIGHT IS 84 3/4"
- USABLE INTERIOR HEIGHT IS 77 3/8" (NOT SHOWN)
- USABLE DOOR OPENING IS 60"W x 73 1/4"H
- WOODEN FLOOR HEIGHT IS 5 3/4"
- ROOF SNOW LOAD RATING: 45 LBS / SQ FT.
- MAINTENANCE FREE GALVANIZED STEEL CONSTRUCTION
- SHIPS KNOCKED DOWN, ASSEMBLY REQUIRED

SPECIAL FEATURES

NONE

APPROVAL	I, THE UNDERSIGNED, AGREE THAT THE PRODUCT AS REPRESENTED SATISFIES DESIGN AND DIMENSION REQUIREMENTS. I ALSO ACKNOWLEDGE MY DUTY TO CONFIRM PRODUCT AND INSTALLATION COMPLIANCE WITH ALL APPLICABLE FEDERAL, STATE AND LOCAL REGULATIONS AND STANDARDS.	
	UNITS REQUIRING APPROVAL DRAWINGS OR MODIFIED ARE NON-RETURNABLE	
	<input type="checkbox"/> As drawn	<input type="checkbox"/> As marked
Signed: _____		Date: _____
Printed Name: _____		
LEAD TIME WILL START UPON RECEIPT OF SIGNED APPROVAL DRAWING		

DISTRIBUTOR'S NAME:		P.O.#
VESTIL MANUFACTURING		X
DRAWN BY: JGP		W.O.#
DATE: 12/23/2020		X
REFERENCE: X	SCALE: 1:36	SALES: X
QUOTED LEAD TIME: X	QUOTE #	FILE NAME:
	X	41-007-064