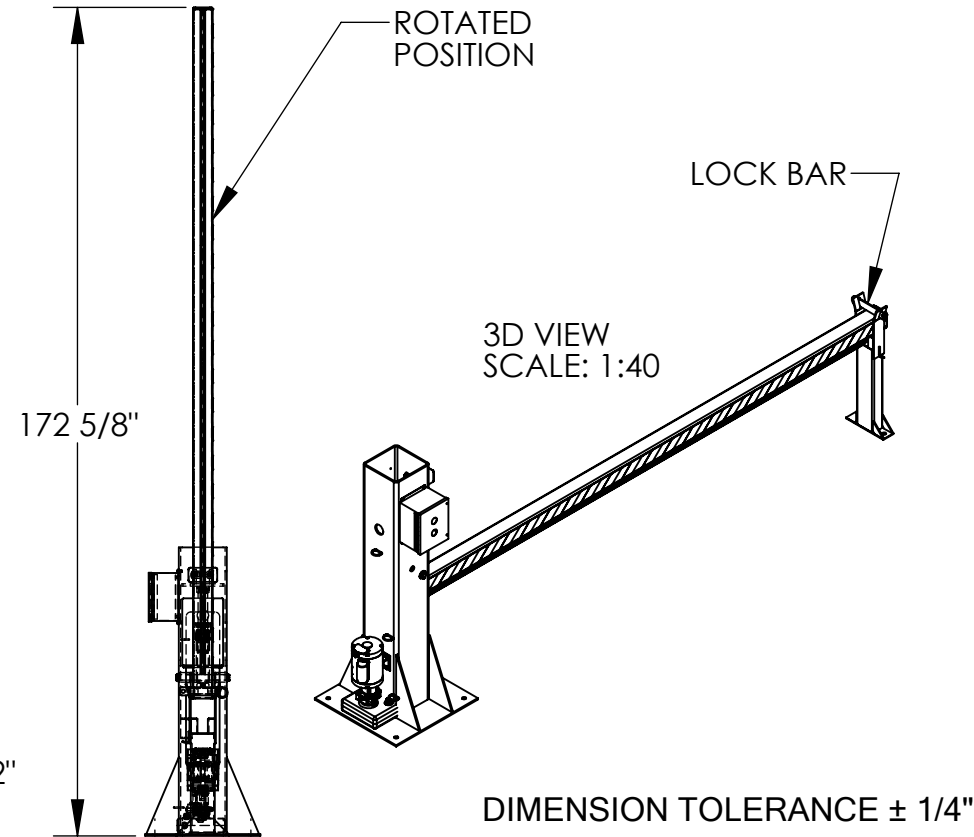
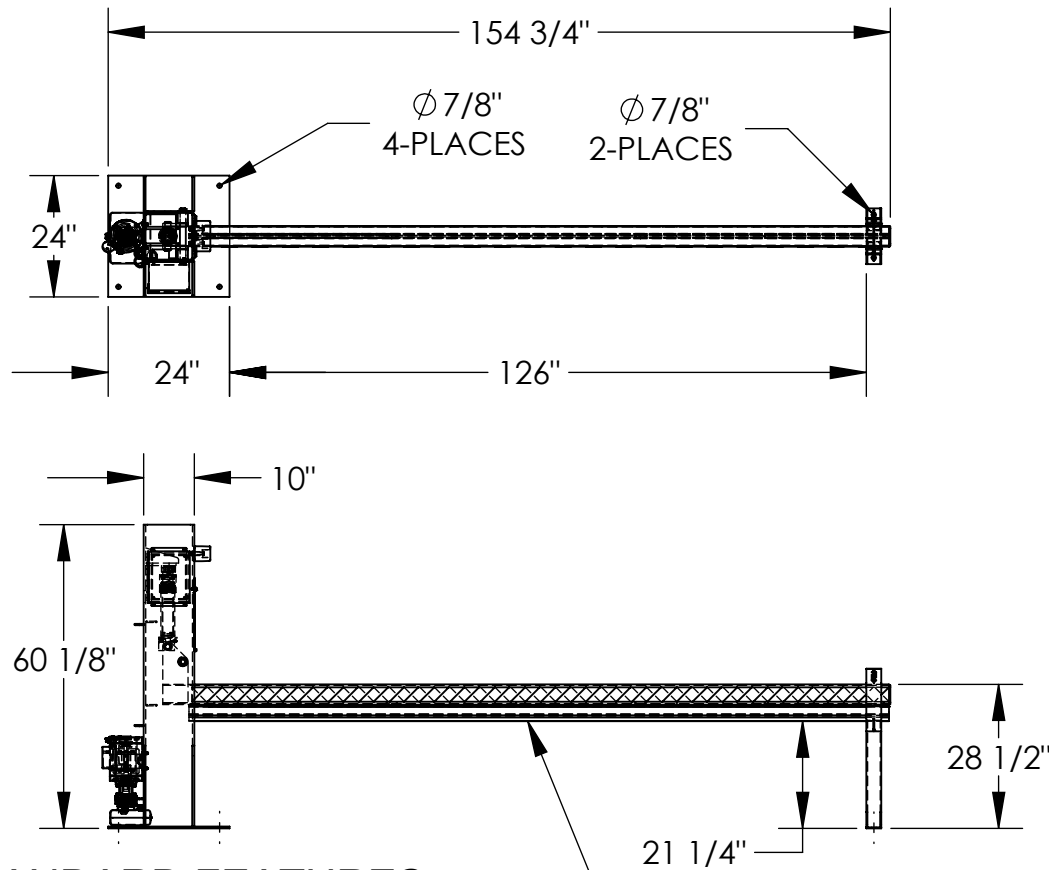


DOCK BARRICADE - DJG-100-10

APPROX WEIGHT: 546.31 lbs.
DOES NOT INCLUDE WEIGHT OF POWER OR PACKAGING!!!

*** ANY ADDITIONS, DELETIONS, OR OMISSIONS MUST BE CORRECTED ON THIS DRAWING AS THIS DRAWING WILL BE CONSIDERED ALL INCLUSIVE ***

ALL GRAPHICS PROVIDED ARE FOR REFERENCE ONLY. IF CERTAIN DIMENSIONS ARE CRITICAL PLEASE VERIFY THOSE DIMENSIONS WITH YOUR SALESPERSON



STANDARD FEATURES

- MODEL NUMBER: DJG-100-10
- OVERALL LENGTH: 154 3/4"
- USABLE LENGTH: 126"
- BASE PLATE SIZE: 24" X 24"
- RAISED ARM HEIGHT: 172 5/8"
- LOWERED ARM HEIGHT: 28 1/2"
- ELECTRICALLY-OPERATED SAFETY EDGE
- UNIT BARRICADES A STANDARD 10' X 10' DOOR
- BLACK/YELLOW SAFETY TAPE
- INCLUDES LOCK BAR ON ARM POST
- **PADLOCK NOT INCLUDED!!**
- POWER: ELECTRIC/HYDRAULIC
- DURABLE LIQUID PAINT YELLOW FINISH

ELECTRICALLY OPERATED SAFETY EDGE

115V 1 PHASE AC POWER

CONTACT FACTORY FOR OTHER POWER OPTIONS

APPROVAL

I, THE UNDERSIGNED, AGREE THAT THE PRODUCT AS REPRESENTED SATISFIES DESIGN AND DIMENSION REQUIREMENTS. I ALSO ACKNOWLEDGE MY DUTY TO CONFIRM PRODUCT AND INSTALLATION COMPLIANCE WITH ALL APPLICABLE FEDERAL, STATE AND LOCAL REGULATIONS AND STANDARDS.

UNITS REQUIRING APPROVAL DRAWINGS OR MODIFIED ARE NON-RETURNABLE

[] As drawn [] As marked

Signed: _____ Date: _____

Printed Name: _____

LEAD TIME WILL START UPON RECEIPT OF SIGNED APPROVAL DRAWING

DISTRIBUTOR'S NAME:		P.O.#
VESTIL MANUFACTURING		X
DRAWN BY:	DATE:	W.O.#
M. VARYS	7/11/07	X
REFERENCE:	SCALE:	SALES:
X	1:38	X
QUOTED LEAD TIME:	QUOTE #	FILE NAME:
X	X	23-007-231

SPECIAL FEATURES

NONE