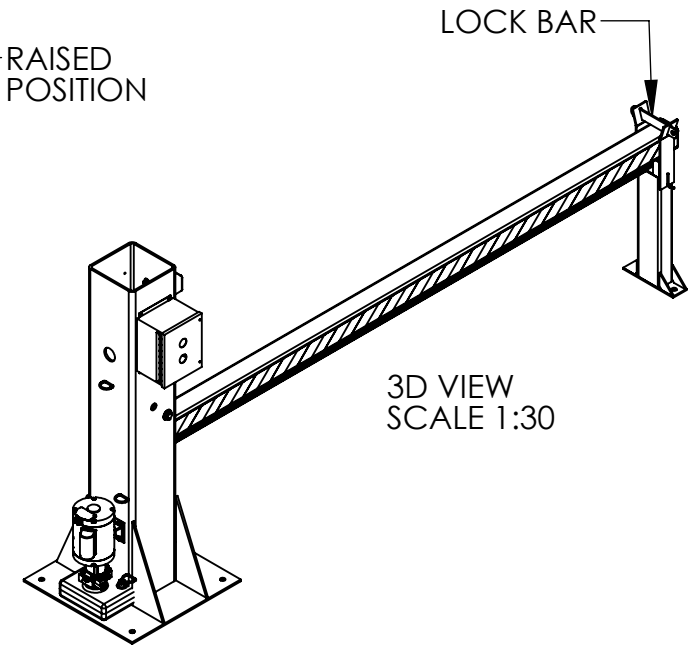
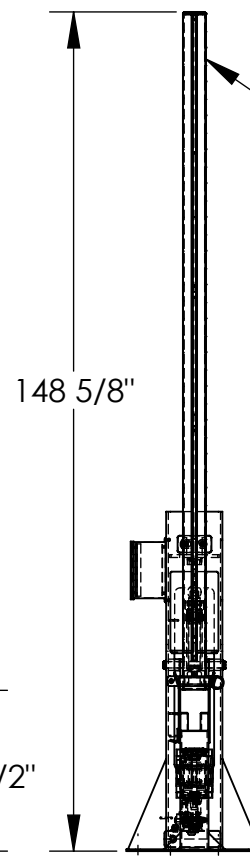
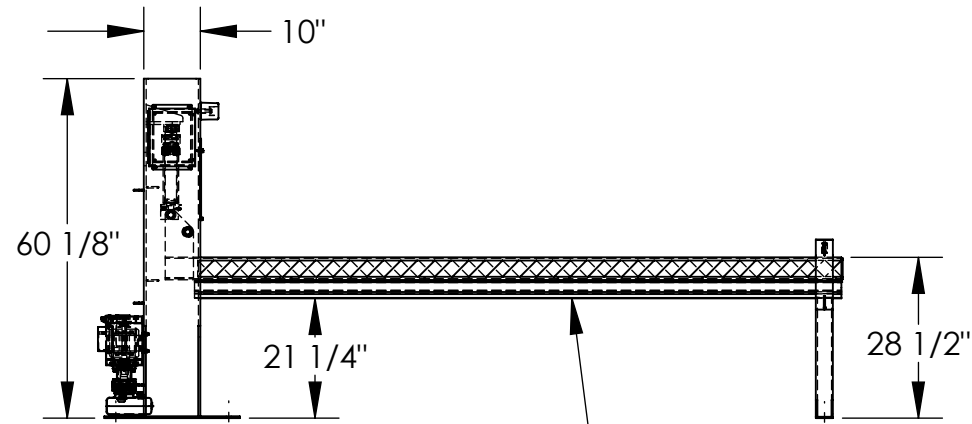
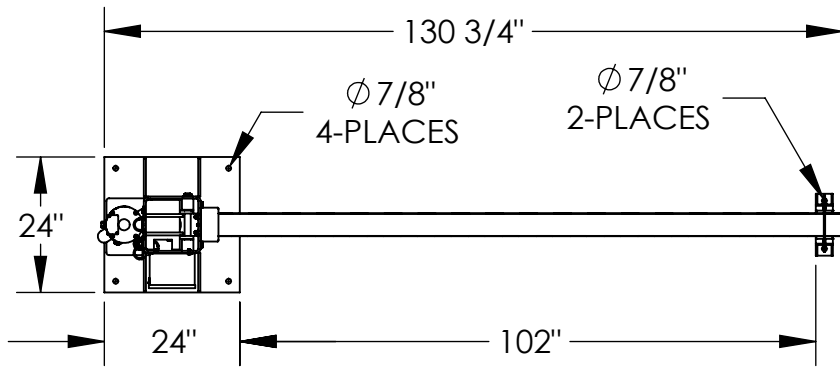


DOCK BARRICADE - DJG-100

APPROX WEIGHT: 526.79 lbs.
DOES NOT INCLUDE WEIGHT OF POWER OR PACKAGING!!!

*** ANY ADDITIONS, DELETIONS, OR OMISSIONS MUST BE CORRECTED ON THIS DRAWING AS THIS DRAWING WILL BE CONSIDERED ALL INCLUSIVE ***

ALL GRAPHICS PROVIDED ARE FOR REFERENCE ONLY. IF CERTAIN DIMENSIONS ARE CRITICAL PLEASE VERIFY THOSE DIMENSIONS WITH YOUR SALESPERSON



3D VIEW
SCALE 1:30

DIMENSION TOLERANCE ± 1/4"

STANDARD FEATURES

- MODEL NUMBER: DJG-100
- OVERALL LENGTH: 130 3/4"
- USABLE LENGTH: 102"
- BASE PLATE SIZE: 24" X 24"
- ARM HEIGHT RAISED: 148 5/8"
- ARM HEIGHT LOWERED: 28 1/2"
- ELECTRICALLY-OPERATED SAFETY EDGE
- BLACK/YELLOW SAFETY TAPE
- INCLUDES LOCK BAR ON ARM POST
- **PADLOCK NOT INCLUDED!!**
- POWER: ELECTRIC/HYDRAULIC
- DURABLE LIQUID PAINT YELLOW FINISH

SPECIAL FEATURES

NONE

ELECTRICALLY OPERATED SAFETY EDGE

115V 1 PHASE AC POWER

CONTACT FACTORY FOR OTHER POWER OPTIONS

APPROVAL	I, THE UNDERSIGNED, AGREE THAT THE PRODUCT AS REPRESENTED SATISFIES DESIGN AND DIMENSION REQUIREMENTS. I ALSO ACKNOWLEDGE MY DUTY TO CONFIRM PRODUCT AND INSTALLATION COMPLIANCE WITH ALL APPLICABLE FEDERAL, STATE AND LOCAL REGULATIONS AND STANDARDS.	
	UNITS REQUIRING APPROVAL DRAWINGS OR MODIFIED ARE NON-RETURNABLE	
	[] As drawn [] As marked	
	Signed: _____ Date: _____	
Printed Name: _____		
LEAD TIME WILL START UPON RECEIPT OF SIGNED APPROVAL DRAWING		

DISTRIBUTOR'S NAME:		P.O.#
VESTIL MANUFACTURING		X
DRAWN BY: M. VARYS		DATE: 7/11/07
REFERENCE: X		SCALE: 1:34
QUOTED LEAD TIME: X		QUOTE # X
SALES: X		FILE NAME: 23-007-080