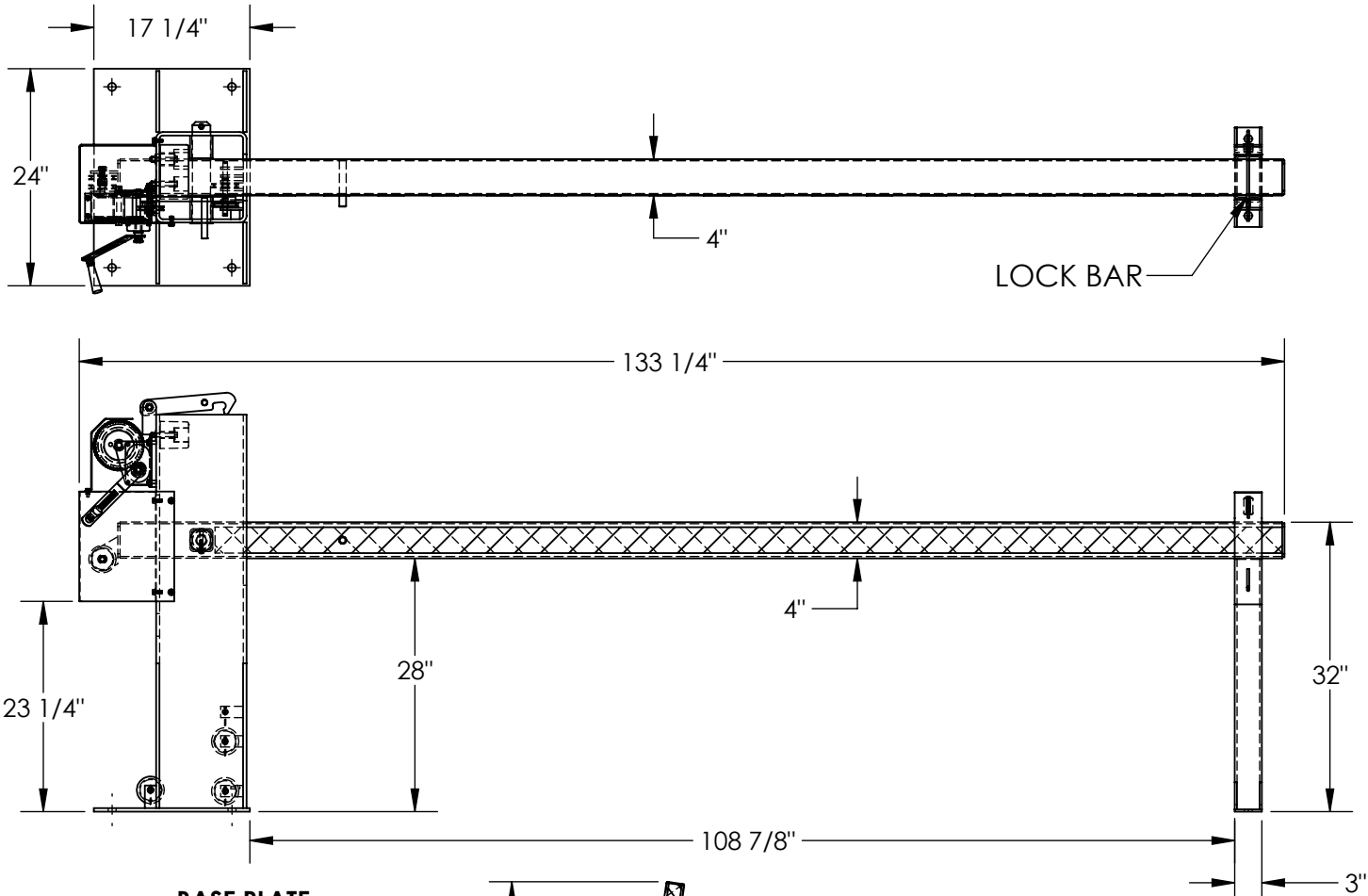


# MECHANICAL DOCK BARRICADE - DJG-100MW

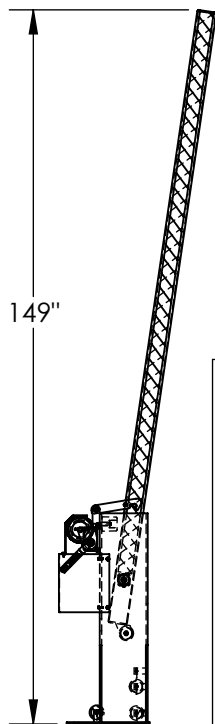
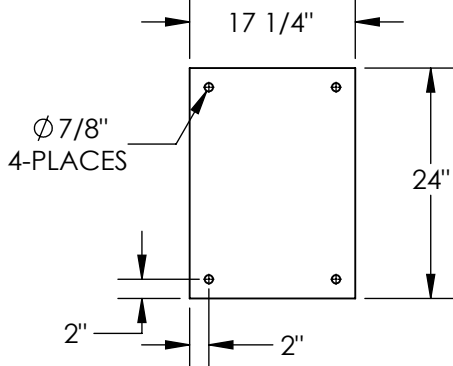
APPROX WEIGHT: 393.31 lbs.  
DOES NOT INCLUDE WEIGHT OF POWER OR PACKAGING!!!

\*\*\*ANY ADDITIONS, DELETIONS, OR OMISSIONS MUST BE CORRECTED ON THIS DRAWING AS THIS DRAWING WILL BE CONSIDERED ALL INCLUSIVE\*\*\*

ALL GRAPHICS PROVIDED ARE FOR REFERENCE ONLY. IF CERTAIN DIMENSIONS ARE CRITICAL PLEASE VERIFY THOSE DIMENSIONS WITH YOUR SALESPERSON



## BASE PLATE



ROTATED POSITION  
SCALE 1:40

## STANDARD FEATURES

- MODEL NUMBER: DJG-100MW
- OVERALL LENGTH: 133 1/4"
- OVERALL WIDTH: 24"
- ARM HEIGHT RAISED: 149"
- ARM HEIGHT LOWERED: 32"
- FITS STANDARD 8' WIDE DOOR
- BLACK/YELLOW SAFETY TAPE
- INCLUDES LOCK BAR ON ARM POST
- \*\*PADLOCK NOT INCLUDED!!\*\*
- MECHANICAL HAND WINCH OPERATION
- DURABLE LIQUID PAINT YELLOW FINISH

## SPECIAL FEATURES

NONE

<b>APPROVAL</b>	DIMENSION TOLERANCE: ±.14"	
	I, THE UNDERSIGNED, AGREE THAT THE PRODUCT AS REPRESENTED SATISFIES DESIGN AND DIMENSION REQUIREMENTS. I ALSO ACKNOWLEDGE MY DUTY TO CONFIRM PRODUCT AND INSTALLATION COMPLIANCE WITH ALL APPLICABLE FEDERAL, STATE AND LOCAL REGULATIONS AND STANDARDS.	
	<b>UNITS REQUIRING APPROVAL DRAWINGS OR MODIFIED ARE NON-RETURNABLE</b>	
	[ ] As drawn      [ ] As marked	
Signed: _____		Date: _____
Printed Name: _____		
<i>LEAD TIME WILL START UPON RECEIPT OF SIGNED APPROVAL DRAWING</i>		

DISTRIBUTOR'S NAME:		P.O.#
<b>VESTIL MANUFACTURING</b>		X
DRAWN BY: TJM		W.O.#
DATE: 05/31/12		X
REFERENCE: X	SCALE: 1:20	SALES: X
QUOTED LEAD TIME: X	QUOTE # X	FILE NAME:
		23-007-165