



Product Name

Owner's Manual



! **WARNING:** Read carefully and understand all ASSEMBLY AND OPERATION INSTRUCTIONS before operating. Failure to follow the safety rules and other basic safety precautions may result in serious personal injury.

Item # 4994313

READ & SAVE THESE INSTRUCTIONS

Thank you very much for choosing an Ironton product!

For future reference, please complete the owner's record below:

Serial Number/Lot Date Code (if applicable): _____

Purchase Date: _____

Save the receipt, warranty, and this manual. It is important that you read the entire manual to become familiar with this product before you begin using it.

This product is designed for certain applications only. Northern Tool and Equipment is not responsible for issues arising from modification or improper use of this product such as an application for which it was not designed. We strongly recommend that this product not be modified and/or used for any application other than that for which it was designed.

For technical questions, please call **1-800-222-5381**.

Table of Contents

Intended Use.....	4
Packaging Contents.....	4
Technical Specifications	4
Important Safety Information	4
Specific Operation Warnings	6
Before Each Use.....	6
Operating Instructions.....	7
Maintenance	8
Parts Diagram.....	9
Parts List.....	10
Replacement Parts	10
Limited Warranty.....	10

Intended Use

The Strongway 550lbs. Mini Lever Hoist is versatile and can be used for ship-building, power plants, and construction-sites for installing machinery, lifting goods, and dragging loads in narrow and difficult angles.

Packaging Contents

- Mini Lever Hoist (1pc)

Technical Specifications

Item #	4994313
Rated Capacity (lb.)	550
Lift Height (ft.)	5
Load Chain Dia. (in)	0.157
No. of falls load chain	1

Important Safety Information

⚠WARNING

- Read and understand all instructions. Failure to follow all instructions may result in serious injury or property damage.
- The warnings, cautions, and instructions in this manual cannot cover all possible conditions or situations that could occur. Exercise common sense and caution when using this tool. Always be aware of the environment and ensure that the tool is used in a safe and responsible manner.
- Do not allow persons to operate or assemble the product until they have read this manual and have developed a thorough understanding of how it works.
- Do not modify this product in any way. Unauthorized modification may impair the function and/or safety and could affect the life of the product. There are specific applications for which the product was designed.
- Use the right tool for the job. DO NOT attempt to force small equipment to do the work of larger industrial equipment. There are certain applications for which this equipment was designed. This product will be safer and do a better job at the capacity for which it was intended. DO NOT use this equipment for a purpose for which it was not intended.
- Industrial or commercial applications must follow OSHA requirements.

⚠WARNING

WORK AREA SAFETY

- Inspect the work area before each use. Keep work area clean, dry, free of clutter, and well-lit. Cluttered, wet, or dark work areas can result in injury. Using the product in confined work areas may put you dangerously close to cutting tools and rotating parts.

- Do not use the product where there is a risk of causing a fire or an explosion; e.g., in the presence of flammable liquids, gases, or dust. The product can create sparks, which may ignite the flammable liquids, gases, or dust.
- Do not allow the product to come into contact with an electrical source. The tool is not insulated and contact will cause electrical shock.
- Keep children and bystanders away from the work area while operating the tool. Do not allow children to handle the product.
- Be aware of all power lines, electrical circuits, water pipes, and other mechanical hazards in your work area. Some of these hazards may be hidden from your view and may cause personal injury and/or property damage if contacted.

⚠️WARNING

PERSONAL SAFETY

- Stay alert, watch what you are doing, and use common sense when operating the tool. Do not use the tool while you are tired or under the influence of drugs, alcohol, or medication. A moment of inattention while operating the tool may result in serious personal injury.
- Dress properly. Do not wear loose clothing, dangling objects, or jewelry. Keep your hair, clothing and gloves away from moving parts. Loose clothes, jewelry, or long hair can be caught in moving parts. Air vents on the tool often cover moving parts and should be avoided.
- Wear the proper personal protective equipment when necessary. Use ANSI Z87.1 compliant safety goggles (not safety glasses) with side shields, or when needed, a face shield. Use a dust mask in dusty work conditions. Also use non-skid safety shoes, hardhat, gloves, dust collection systems, and hearing protection when appropriate. This applies to all persons in the work area.
- Do not overreach. Keep proper footing and balance at all times.
- Remove keys or wrenches before connecting the tool to an air supply, power supply, or turning on the tool. A wrench or key that is left attached to a rotating part of the tool may cause personal injury.
- Secure the work with clamps or a vise instead of your hand when practical. This safety precaution allows for proper tool operation using both hands.

⚠️CAUTION

PRODUCT USE AND CARE

- Do not force the product. Products are safer and do a better job when used in the manner for which they are designed. Plan your work and use the correct product for the job.
- Check for damaged parts before each use. Carefully check that the product will operate properly and perform its intended function. Replace damaged or worn parts immediately. Never operate the product with a damaged part.
- Do not use a product with a malfunctioning switch. Any power tool that cannot be controlled with the power switch is dangerous and must be repaired by an authorized service representative before using.

- Disconnect the power/air supply from the product and place the switch in the locked or off position before making any adjustments, changing accessories, or storing the tool. Such preventive safety measures reduce the risk of starting the tool accidentally.
- Store the product when it is not in use. Store it in a dry, secure place out of the reach of children. Inspect the tool for good working condition prior to storage and before re-use.
- Use only accessories that are recommended by the manufacturer for use with your product. Accessories that may be suitable for one product may create a risk of injury when used with another tool. Never use an accessory that has a lower operating speed or operating pressure than the tool itself.
- Keep guards in place and in working order. Never operate the product without the guards in place.
- Do not leave the tool running unattended.

Specific Operation Warnings

⚠WARNING

- To prevent serious injury or property damage, read and understand this manual before operating.
- To reduce the risk of injury, operate hoist using manual power only.
- Do not exceed the rated load capacity.
- Do not use hoist with extension on lever handle.
- Do not use in a way that causes either hook to be side loaded.
- Do not use chain hoist as a sling.
- Do not support load on hook unless hook is designed for tip loading.
- Do not operate if restricted from forming a straight line from hook to hook in the direction of loading.
- Inspect for damaged parts before use. Do not use if damaged.
- Examine each chain link for damage or weak links before use. Do not operate a hoist with twisted, kinked or damaged chain.
- Do not lift people, animals, or loads above either.
- Do not pull chain at an angle.
- Keep bystanders away while hoist is loaded.
- Not for use by or around children.

Before Each Use

⚠WARNING

- Before operating, make sure that the hoist is not in the free chain mode and always check that the selector is placed in the proper position.

- DO NOT touch or operate the hoist's free knob while a load is applied to the hoist.
- Inspect for damaged parts before use. Do not use if damaged.
- Examine each chain link for damage or weak links before use. Do not operate a hoist with twisted, kinked or damaged chain.

Operating Instructions

⚠WARNING

- To reduce the risk of injury, operate hoist using manual power only.
- Do not exceed the rated load capacity.
- Do not use hoist with extension on lever handle.
- Do not use in a way that causes either hook to be side loaded.
- Do not use chain hoist as a sling.
- Do not support load on hook unless hook is designed for tip loading.
- Do not operate if restricted from forming a straight line from hook to hook in the direction of loading.

- Properly seat the suspension hook on the supporting structure at its intended load bearing point (Figure 1). Do not allow the hook hitch to support any part of the load. Do not apply the load to the point of the hook (Figure 1).

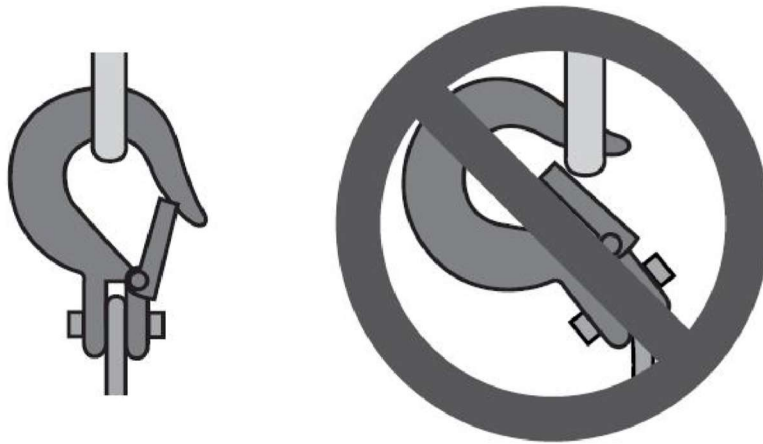


Figure 1

Correct and incorrect suspension hook attachment

- Properly seat the sling or other device in the base (bowl or saddle) of the hook (Figure 2). Do not allow the hook hitch to support any part of the load.
- Do not apply the load to the point of the hook (Figure 2).

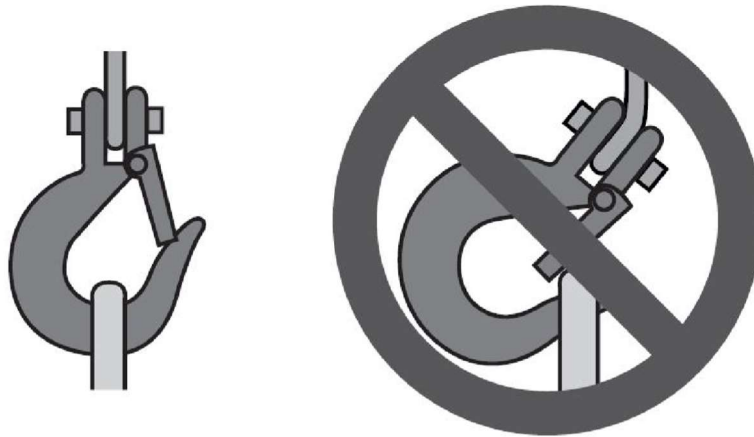


Figure 2

Correct and incorrect hook attachment

1. Set the top hook securely.
2. Correctly center the load on the bottom hook. Incorrect loading is dangerous to the operator, the lever hoist, and the load.
3. Place the selector switch on the handle in the center neutral position. This will allow free-wheel mode. The chain will only be in the free-wheel mode when there is no load. Take up slack by pulling on loose or free end or by turning the hand wheel.
4. Move the selector switch to the UP position. Ratchet the lever to raise or pull the load. Do not overload the lever hoist.
5. To release or lower the load, turn selector switch on the handle to the DOWN position and ratchet the handle.

Maintenance

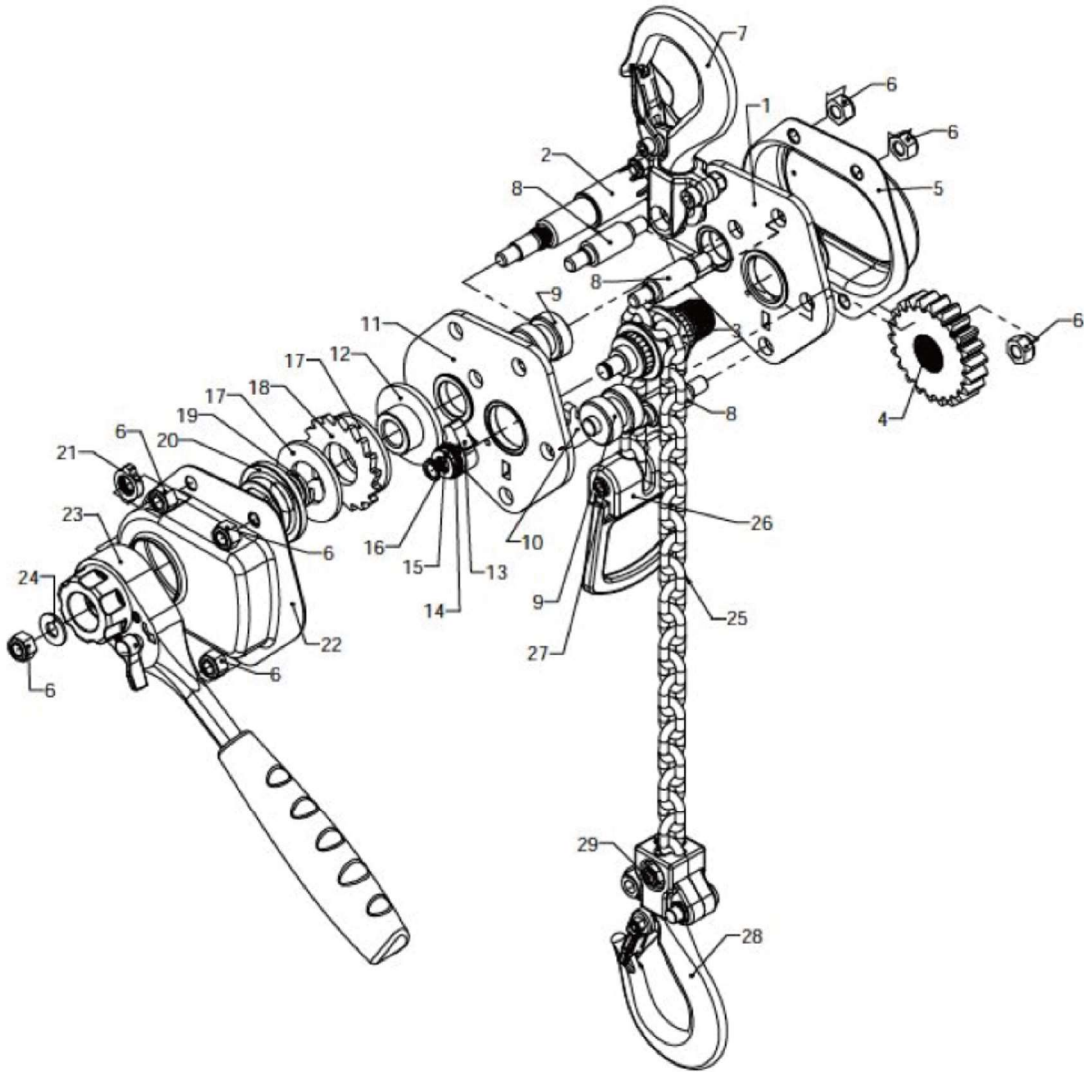
Maintain the product by adopting a program of conscientious repair and maintenance in accordance with the following recommended procedures. It is recommended that the general condition of any tool be examined before it is used. Keep your tool in good repair. Keep handles dry, clean, and free from oil and grease. The following chart is based on a normal operation schedule.

Maintenance Interval	Maintenance Point
Daily before operating	Inspect the general condition of the hoist. Check for loose screws, misalignment or binding of moving parts, cracked or broken parts, and any other condition that may affect its safe operation. If abnormal noise occurs, have the problem corrected before further use. Do not use damaged equipment.
Quarterly (every 3 months)	Keep all moving parts lubricated at all times. Use common gear oil. For best results, the load chain should be cleaned with an acid free cleaning solution prior to lubrication. The hoist should be clean and dry, and the load chain and all other exposed metal should be well lubricated when storage. The hoist should be covered or brought inside after using outdoor.

Annually

The possibility of corrosion on components of the hoist increases for installations where salt air and high humidity are present. Make frequent and regular inspections of the hoist's condition and operation when using it outdoors.

Parts Diagram



Parts List

Item	Qty.	Description
1	1	Left wall panel components
2	1	Long shaft
3	1	Crane chain wheel components
4	1	Splined hole gear
5	1	Casing components
6	7	Locking nuts
7	1	Upper hook frame components
8	3	Stay
9	1	Guide wheel
10	1	Stop link plate
11	1	Right wall panel components
12	1	Brake base
13	1	Pawl
14	2	Pawl torsional spring
15	1	Pawl shaft washer
16	1	Shaft stop ring
17	2	Friction plate
18	1	Ratchet wheel
19	1	Brake base spring
20	1	Brake nut
21	1	Cam
22	1	Casing 2
23	1	Handle components
24	1	Hand wheel washer
25	1	Load chain
26	1	Fastener
27	1	Fastener nut
28	1	Lower hook frame components
29	1	Lower hook frame pin

Replacement Parts

- For replacement parts and technical questions, please call Customer Service at 1-800-222-5381.
- Not all product components are available for replacement. The illustrations provided are a convenient reference to the location and position of parts in the assembly sequence.
- When ordering parts, the following information will be required: item description, item model number, item serial number/item lot date code, and the replacement part reference number.
- The distributor reserves the rights to make design changes and improvements to product lines and manuals without notice.

Limited Warranty

Northern Tool and Equipment Company, Inc. ("We" or "Us") warrants to the original purchaser only ("You" or "Your") that the Ironton product purchased will be free from material defects in both materials and workmanship, normal wear and tear excepted, for a period of **90 days** from date of purchase. The foregoing warranty is valid only if the installation and use of the product is strictly in

accordance with product instructions. There are no other warranties, express or implied, including the warranty of merchantability or fitness for a particular purpose. If the product does not comply with this limited warranty, Your sole and exclusive remedy is that We will, at our sole option and within a commercially reasonable time, either replace the product or product component without charge to You or refund the purchase price (less shipping). This limited warranty is not transferable.

Limitations on the Warranty

This limited warranty does not cover: (a) normal wear and tear; (b) damage through abuse, neglect, misuse, or as a result of any accident or in any other manner; (c) damage from misapplication, overloading, or improper installation; (d) improper maintenance and repair; and (e) product alteration in any manner by anyone other than Us, with the sole exception of alterations made pursuant to product instructions and in a workmanlike manner.

Obligations of Purchaser

You must retain Your product purchase receipt to verify date of purchase and that You are the original purchaser. To make a warranty claim, contact Us at 1-800-222-5381, identify the product by make and model number, and follow the claim instructions that will be provided. The product and the purchase receipt must be provided to Us in order to process Your warranty claim. Any returned product that is replaced or refunded by Us becomes our property. You will be responsible for return shipping costs or costs related to Your return visit to a retail store.

Remedy Limits

Product replacement or a refund of the purchase price is Your sole remedy under this limited warranty or any other warranty related to the product. We shall not be liable for: service or labor charges or damage to Your property incurred in removing or replacing the product; any damages, including, without limitation, damages to tangible personal property or personal injury, related to Your improper use, installation, or maintenance of the product or product component; or any indirect, incidental or consequential damages of any kind for any reason.

Assumption of Risk

You acknowledge and agree that any use of the product for any purpose other than the specified use(s) stated in the product instructions is at Your own risk.

Governing Law

This limited warranty gives You specific legal rights, and You also may have other rights which vary from state to state. Some states do not allow limitations or exclusions on implied warranties or incidental or consequential damages, so the above limitations may not apply to You. This limited warranty is governed by the laws of the State of Minnesota, without regard to rules pertaining to conflicts of law. The state courts located in Dakota County, Minnesota shall have exclusive jurisdiction for any disputes relating to this warranty.



Distributed by:

Northern Tool & Equipment Company, Inc.

Burnsville, Minnesota 55306

www.northerntool.com

Made in China