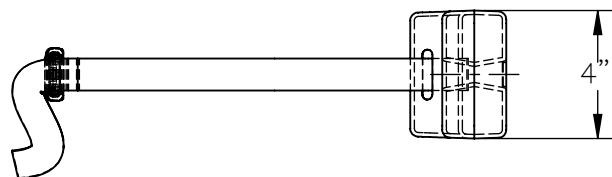
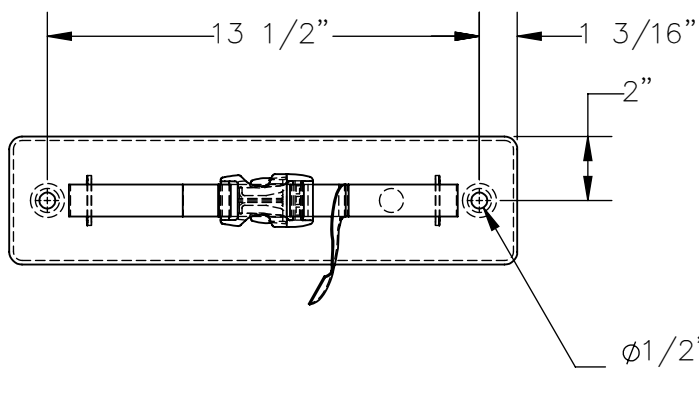
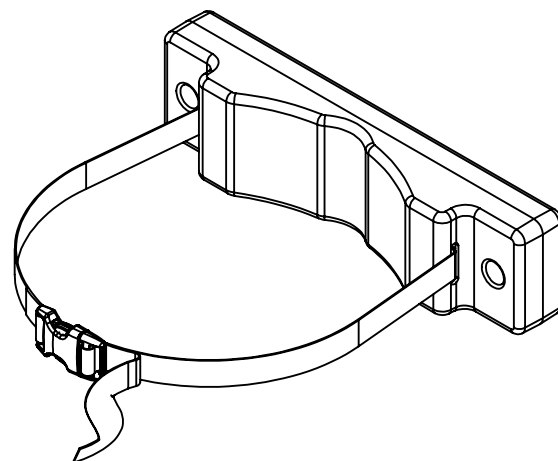
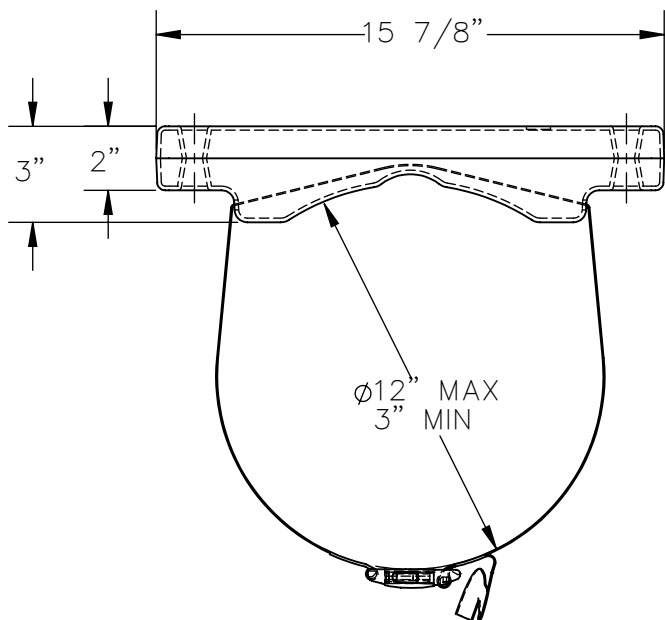


POLY WALL-MOUNTED CYLINDER BRACKET - CB-W-P

ANY ADDITIONS, DELETIONS, OR OMISSIONS MUST BE CORRECTED ON THIS DRAWING AS THIS DRAWING WILL BE CONSIDERED ALL INCLUSIVE

APPROX WEIGHT: 21.71 lbs.
DOES NOT INCLUDE WEIGHT OF POWER OR PACKAGING!!!



Ø1/2" MOUNTING HOLES
(2-PLACES)

ALL GRAPHICS PROVIDED ARE FOR REFERENCE ONLY. IF CERTAIN DIMENSIONS ARE CRITICAL PLEASE VERIFY THOSE DIMENSIONS WITH YOUR SALESPERSON

DIMENSION TOLERANCE ± 1/4"

STANDARD FEATURES

- MODEL NUMBER IS: CB-W-P
- CAPACITY IS: 1 CYLINDER
- MAX CYLINDER DIAMETER IS: 12"
- MINIMUM CYLINDER DIAMETER IS: 3"
- OVERALL WIDTH IS: 15 7/8"
- OVERALL HEIGHT IS: 4"
- OVERALL DEPTH IS: 3"
- MOUNTING HOLE DIAMETER IS: 1/2"
- MOUNTING HOLE CENTERS IS: 13 1/2"
- COLOR IS SAFETY YELLOW
- ***MOUNTING HARDWARE NOT INCLUDED***

SPECIAL FEATURES

NONE

APPROVAL

I, THE UNDERSIGNED, AGREE THAT THE PRODUCT AS REPRESENTED SATISFIES DESIGN AND DIMENSION REQUIREMENTS. I ALSO ACKNOWLEDGE MY DUTY TO CONFIRM PRODUCT AND INSTALLATION COMPLIANCE WITH ALL APPLICABLE FEDERAL, STATE AND LOCAL REGULATIONS AND STANDARDS.
UNITS REQUIRING APPROVAL DRAWINGS OR MODIFIED ARE NON-RETURNABLE
[] As drawn [] As marked

Signed: _____ Date: _____

Printed Name: _____

LEAD TIME WILL START UPON RECEIPT OF SIGNED APPROVAL DRAWING

DISTRIBUTOR'S NAME:		P.O.#
VESTIL MANUFACTURING		X
DRAWN BY: JGP		W.O.#
DATE: 6/23/2021		X
REFERENCE: X	SCALE: 1:6	SALES: X
QUOTED LEAD TIME: X	QUOTE #	FILE NAME:
	X	16-007-532