



AIR HOSE REELS

Owner's Manual



3/8" x 50' Compact Air Hose Reel
Item 49596



1/4" x 26' Mini Air Hose Reel
Item 49586

⚠ WARNING: Read carefully and understand all ASSEMBLY AND OPERATION INSTRUCTIONS before operating. Failure to follow the safety rules and other basic safety precautions may result in serious personal injury.

Item #s 49586 & 49596

SAVE THESE INSTRUCTIONS

Thank you very much for choosing an Ironon product!

For future reference, please complete the owner's record below:

Serial Number/Lot Date Code: _____

Purchase Date: _____

Save the receipt, warranty, and this manual. It is important that you read the entire manual to become familiar with this product before you begin using it.

These two hose reels, the Compact Air Hose Reel and the Mini Air Hose Reel, are designed for certain applications only. Northern Tool and Equipment cannot be responsible for issues arising from modification or use of these products in an application for which they were not designed. We strongly recommend that these products not be modified and/or used for any application other than that for which they were designed.

For technical questions, please call **1-800-222-5381**.

Table of Contents

Intended Use.....	4
Technical Specifications	4
Important Safety Considerations	5
Specific Operation Warnings	6
Assembly	7
Before Each Use.....	8
Operating Instructions.....	8
After Each Use.....	8
Maintenance	8
Parts Diagram – 49586, Mini Hose Reel	9
Parts List – 49586, Mini Hose Reel	9
Parts Diagram – 49596, Compact Hose Reel.....	10
Parts List – 49596, Compact Hose Reel.....	10
Troubleshooting.....	11
Replacement Parts	11
Limited Warranty.....	12

Intended Use

49586, Mini Hose Reel

Light weight and compact design make this impact-resistant poly hose reel ideal for use in garages or workshops with limited space. Ratcheting action locks hose into place at the desired length, another tug starts the hose retracting. The poly hose is very flexible and the wall-mount bracket allows for rotation. Can also be ceiling-mounted.

49596, Compact Hose Reel

This sturdy heavy-duty spring-driven air hose reel features an enclosed drive spring for protection against weather. The reel includes a 3/8in. x 50ft. hybrid polymer 300 max. PSI hose with superior bend radius to help eliminate kinks.

Technical Specifications

49586, Mini Hose Reel

Property	Specification
Ship Weight	7.7 lbs
Hose Fitting Size (in. NPT)	1/4
Hose Diameter (in.)	1/4
Hose Length (ft.)	26
Max. PSI	180
Material Type	Plastic
Dimensions L x W x H (in.)	11 x 6 x 11 4/5
Hose Application	Air, water
Reel Capacity (Hose Length ft. x Hose Diameter in.)	26' x 1/4"
Hose Included	Yes
Hose Temp Range (°F)	-20-60

49596, Compact Hose Reel

Property	Specification
Ship Weight	12.76 lbs
Hose Fitting Size (in. NPT)	3/8
Hose Diameter (in.)	3/8
Hose Length (ft.)	50
Max. PSI	300
Material Type	Hybrid polymer hose, plastic reel housing
Dimensions L x W x H (in.)	16 1/2 x 14 15/16 x 8 5/8
Hose Application	Connect compressor, air tool
Reel Capacity (Hose Length ft. x Hose Diameter in.)	50 x 3/8
Hose Included	Yes
Hose Temp Range (°F)	14-149

Important Safety Considerations

⚠ WARNING

- Read and understand all instructions. Failure to follow all instructions may result in serious injury.
- The warnings, cautions, and instructions in this manual cannot cover all possible conditions or situations that could occur. Exercise common sense and caution when using this reel. Always be aware of the environment and ensure that the reel is used in a safe and responsible manner.
- DO NOT allow persons to operate or assemble the reel until they have read this manual and have developed a thorough understanding of how it works.
- DO NOT modify the reel in any way. Unauthorized modification may impair the function and/or safety and could affect the life of the reel.
- Use the right tool for the job. DO NOT attempt to force a small equipment to do the work of larger industrial equipment. There are certain applications for which the reel was designed. It will do the job better and more safely at the capacity for which it was intended. DO NOT use the reel for a purpose for which it was not intended.
- Industrial or commercial applications must follow OSHA requirements.

⚠ WARNING

WORK AREA SAFETY

- Inspect the work area before each use. Keep the work area clean, dry, free of clutter, and well lit. Cluttered, wet, or dark work areas can result in injury. Using the reel in a confined work area may put you dangerously close to other cutting tools and rotating parts.
- Do not use the reel when there is a risk of causing a fire or an explosion; e.g., in the presence of flammable liquids, gases, or dust. The reel can create sparks, which may ignite the dust or fumes.
- Keep children and bystanders away from the work area while operating the reel. Do not allow children to operate the reel.
- Be aware of all power lines, electrical circuits, water pipes, and other mechanical hazards in your work area. Some of these hazards may be below the work surface hidden from your view and may cause personal harm or property damage if unintentionally contacted.

PERSONAL SAFETY

- Stay alert, watch what you are doing, and use common sense when operating the reel. Do not use the reel while you are tired or under the influence of drugs, alcohol, or medication. A moment of inattention may result in serious personal injury.
- Dress properly. Do not wear loose clothing, dangling objects, or jewelry. Keep your hair, clothing and gloves away from moving parts. Loose clothes, jewelry, or long hair can be caught in moving parts.
- Use ANSI compliant safety goggles or safety glasses with side shields, or when needed, a face shield. Use a dust mask in dusty work conditions. Also use non-skid safety shoes, hardhat, gloves, dust collection systems, and hearing protection when appropriate.
- Do not overreach. Keep proper footing and balance at all times.
- Secure the work with clamps or a vise instead of your hand when practical. This safety precaution allows for proper tool operation using both hands.

⚠ CAUTION

HOSE REEL USE AND CARE

- Check for damaged parts before each use. Carefully check that the reel will operate properly and perform its intended function. Replace damaged or worn parts immediately. Never operate the reel with a damaged part.
- Disconnect the air supply from the hose reel before making any adjustments, changing accessories, or storing the reel.
- Use only accessories that are recommended by the manufacturer for use with your reel. Accessories that may be suitable for one reel may create a risk of injury when used with another reel. Never use an accessory that has a higher operating pressure than the reel itself.
- Inspect the reel, hose, and accessories for damage or excessive wear before each use. If you find damage do not use the reel.

Specific Operation Warnings

⚠ WARNING

- Wear ANSI Z87.1 compliant safety goggles or safety glasses with side shields when assembling and using the hose reel.
- Assemble the hose reel on a clean workbench.
- Keep children away from the work area. If not in use, store out of the reach of children.
- Ensure that reel is properly installed before connecting input and output hoses.
- Make sure incoming pressure does not exceed the rated pressure (300 PSI) for reel.
- Before connecting a pressure source, ensure that supply pressure does not exceed maximum working pressure rating of reel.
- Never attach any tool or accessory to the hose unless it is capable of safely operating at a pressure greater than the supply pressure.
- If a leak occurs in the hose or reel, remove system pressure immediately.
- If reel ceases to unwind or rewind, remove system pressure immediately.
- Do not kink the hose. Do not step on the hose or drive or drag objects over the hose. Do not place any objects on the hose or hose reel.
- Pull the hose from the reel by grasping the hose itself, not the valve.
- Bleed fluid/gas pressure from reel before servicing it.
- Use soap and water when checking for air leaks. Exposure of skin directly to pressurized air or fluids could result in severe bodily injury.
- Remember, even low pressure is very dangerous and can cause personal injury or death.

⚠ WARNING

This product may contain chemicals known to the State of California to cause cancer, birth defects or other reproductive harm.

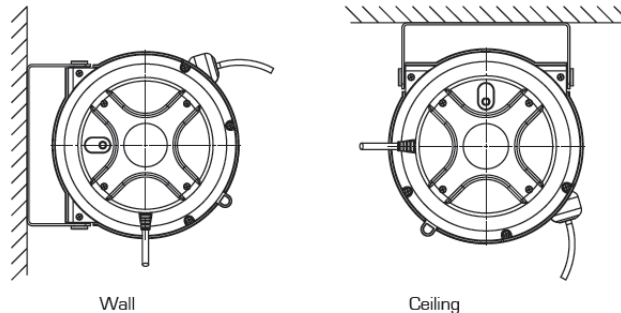
Assembly

⚠ WARNING

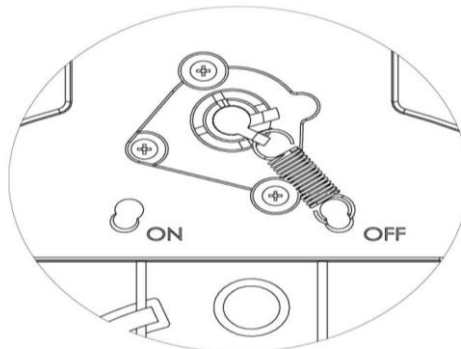
Exposure to even low-pressure air or fluids is dangerous and can cause personal injury or death.

Note: Before beginning assembly/installation, purchase appropriate hardware for mounting the reel. The mounting bracket has three $21/64$ " (8.3mm) holes for mounting on a suitable flat surface.

1. Prior to mounting the hose reel, ensure that the supply line pressure does not exceed the maximum working pressure of the hose reel. Also check that the pressure source is turned off and the supply line for the reel is unpressurized.
2. Unpack the reel then check that all parts are present and inspect for damage. Check reel function for smooth operation.
3. For overhead ceiling mounting, install reel at most 10 feet / 3m above the floor.
4. Fasten the mounting bracket in the desired location. (If desired, remove the bracket from the reel casing, mount the bracket, then reattach the casing to the bracket.) Tighten securely.



5. Apply Teflon tape or pipe sealant to the supply line threads then attach it to reel inlet and tighten. If not already connected, the incoming line can now be connected to the supply source.
6. Apply Teflon tape or pipe sealant to the outlet fitting on the reel hose then attach it to a desired tool, or nozzle. Check the connection for leakage and also check the hose reel for correct operation (see the Operation section).
7. If an adjustment to the hose stopper is required, pull the hose from the reel and allow it to latch at a desired length. Loosen the stopper bolts, and slide the stopper to a position close to the hose guide. Retighten the stopper bolts and unlatch the reel.
8. (49596 only) Double adjustment function. Inside the small left cover (item 7 in the parts list), adjust the ratchet spring (25) to the right (see picture below) to prevent the reel from locking at any length of unwound hose. Adjust the spring to the left to allow the reel to lock at any length.



Before Each Use

- Ensure that the hose reel is in proper working order before use.
- Inspect the hose reel fittings, alignment, hoses and components periodically before use. Have damaged or worn components repaired or replaced by an authorized technician.

Operating Instructions

1. Check the reel for correct operation by slowly pulling out the hose. A “clicking” noise will be heard every half revolution of the drum.

Note: Steps 2 and 3 below cannot be performed with the 49596 reel if the ratchet spring is positioned to the right, preventing the reel from locking at any length of unwound hose. (See Assembly step 9.)

2. To latch the reel, pull out the hose and allow it to retract after hearing the first, second or third “click”.
3. To unlatch the reel, slowly pull out the hose until the “clicking” noise stops, then let the hose retract in a controlled way (see below!) until the hose stopper rests against the hose guide.

⚠ WARNING

Do not allow the hose to automatically retract in an uncontrolled way as the hose may whip around and cause damage to property or personal injury.

4. If necessary, adjust the spring tension on the reel by adding or removing wraps of hose from the spool, one wrap at a time, until the desired tension is obtained (at most 4 to 5 wraps). Add wraps to increase tension. Remove wraps to decrease tension.

After Each Use

- Inspect the hose reel fittings, alignment, hoses and components periodically after use so that worn or damaged components can be ordered and replaced before the next use. Have damaged or worn components repaired or replaced by an authorized technician.

Maintenance

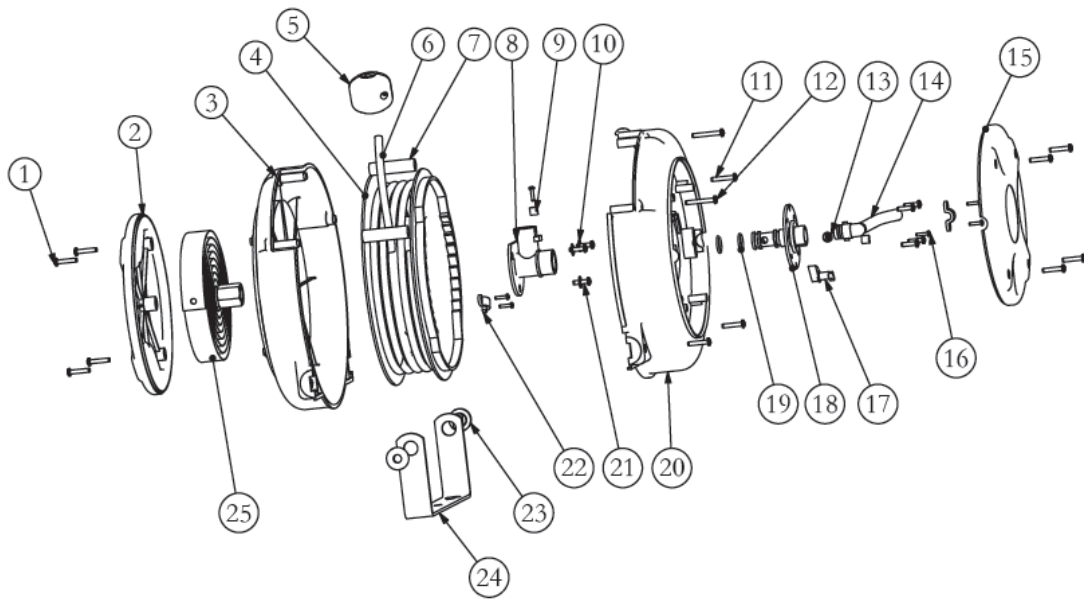
Maintain your reel by adopting a program of conscientious repair and maintenance in accordance with the recommended procedures found in this manual. It is recommended that the general condition of any tool be examined before it is used. Keep the reel dry, clean, and free from oil and grease.

⚠ WARNING

Do not open the small right cover (reel 49596, item 10) or the right cover (reel 49586, item 2). Behind these covers are the main rewind springs. Removal of these covers by untrained persons can be very dangerous as the spring may come loose, unwind violently, and cause serious personal injury.

- Make sure the hose is in proper working order.
- Clean the hose with a cloth dipped in warm water to remove dirt or deposits and ensure correct rewinding.
- Do not use detergents or solvents which could prove incompatible with cable-winder materials.

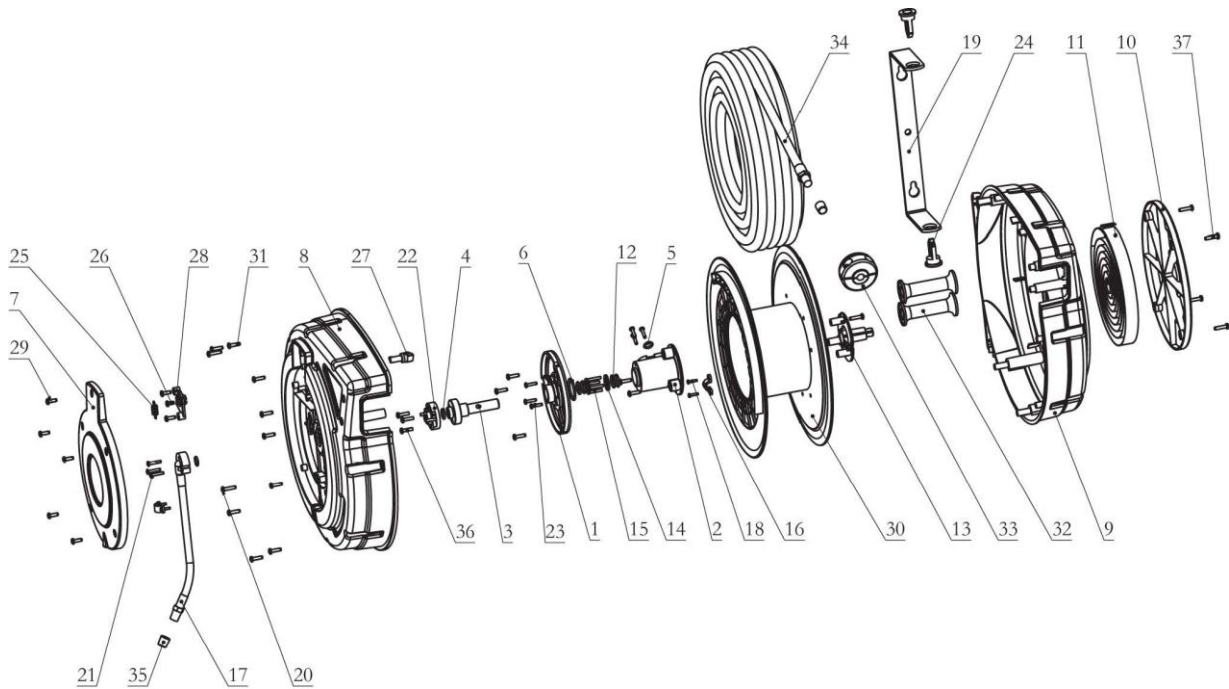
Parts Diagram – 49586, Mini Hose Reel



Parts List – 49586, Mini Hose Reel

Part No.	Description	Quantity
1	Screw	10
2	Right Cover	1
3	Outer Casing	1
4	Drum	1
5	Stopper Assembly	1
6	Hose Assembly	1
7	Roller	2
8	Swivel Body	1
9	Block	2
10	Washer	3
11	Screw	1
12	Screw	2
13	Ratchet Spring	1
14	Lead-in Hose Assembly	1
15	Left Cover	1
16	Screw	6
17	Ratchet Screw	1
18	Swivel Spool	1
19	O-ring	2
20	Outer Casing	1
21	Screw	7
22	Hose Clamp	2
23	Pin	2
24	Bracket	1
25	Main Spring Assembly	1

Parts Diagram – 49596, Compact Hose Reel



Parts List – 49596, Compact Hose Reel

Part No.	Description	Quantity
1	Bushing	1
2	Swivel Body	1
3	Swivel Spool	1
4	O-ring	1
5	O-ring	2
6	O-ring	1
7	Small Left Cover	1
8	Left Cover	1
9	Right Cover	1
10	Small Right Cover	1
11	Main Spring	1
12	O-ring	4
13	Axle	1
14	Retainer	1
15	Retainer Base	1
16	Clamp	2
17	Lead-in Hose Assembly	1
18	Screw	4
19	Bracket	1
20	Screw	3
21	Screw	3
22	Connector	1
23	Screw	6
24	Pin	2
25	Ratchet Spring	1
26	Screw	1
27	Ratchet Paw	1
28	Ratchet Base	1
29	Screw	7

Part No.	Description	Quantity
30	Drum	1
31	Screw	14
32	Roller	2
33	Stopper Assembly	1
34	Hose Assembly	1
35	Protector Cap	2
36	Screw	3
37	Screw	4

Troubleshooting

Problem	Solution
Reel assembly will not latch	Contact your local supplier or a qualified technician for service.
Reel is not retracting.	Contact your local supplier or a qualified technician for service.
Air is leaking from a hose connection.	Tighten the leaking connection. If necessary, check whether the threads are stripped or not. If stripped, contact your local supplier or a qualified technician for service.
Air is leaking from the hose.	Check the hose for damage. If damaged, contact your local supplier or a qualified technician for replacement service.

Replacement Parts

- For replacement parts and technical questions, please call Customer Service at **1-800-222-5381**.
- Not all product components are available for replacement. The illustrations provided are a convenient reference to the location and position of parts in the assembly sequence.
- When ordering parts, the following will be required: model number, serial number/lot date code, and description.
- The distributor reserves the rights to make design changes and or improvements to product lines and manuals without notice.

Limited Warranty

Northern Tool and Equipment Company, Inc. ("We" or "Us") warrants to the original purchaser only ("You" or "Your") that the Ironton product purchased will be free from material defects in both materials and workmanship, normal wear and tear excepted, for a period of **one year** from date of purchase. The foregoing warranty is valid only if the installation and use of the product is strictly in accordance with product instructions. There are no other warranties, express or implied, including the warranty of merchantability or fitness for a particular purpose. If the product does not comply with this limited warranty, Your sole and exclusive remedy is that We will, at our sole option and within a commercially reasonable time, either replace the product or product component without charge to You or refund the purchase price (less shipping). This limited warranty is not transferable.

Limitations on the Warranty

This limited warranty does not cover: (a) normal wear and tear; (b) damage through abuse, neglect, misuse, or as a result of any accident or in any other manner; (c) damage from misapplication, overloading, or improper installation; (d) improper maintenance and repair; and (e) product alteration in any manner by anyone other than Us, with the sole exception of alterations made pursuant to product instructions and in a workmanlike manner. The hose, if supplied with the reel, O-rings, plastic rollers and rubber stopper are deemed to be normal wear items and are not warranted.

Obligations of Purchaser

You must retain Your product purchase receipt to verify date of purchase and that You are the original purchaser. To make a warranty claim, contact Us at 1-800-222-5381, identify the product by make and model number, and follow the claim instructions that will be provided. The product and the purchase receipt must be provided to Us in order to process Your warranty claim. Any returned product that is replaced or refunded by Us becomes our property. You will be responsible for return shipping costs or costs related to Your return visit to a retail store.

Remedy Limits

Product replacement or a refund of the purchase price is Your sole remedy under this limited warranty or any other warranty related to the product. We shall not be liable for: service or labor charges or damage to Your property incurred in removing or replacing the product; any damages, including, without limitation, damages to tangible personal property or personal injury, related to Your improper use, installation, or maintenance of the product or product component; or any indirect, incidental or consequential damages of any kind for any reason.

Assumption of Risk

You acknowledge and agree that any use of the product for any purpose other than the specified use(s) stated in the product instructions is at Your own risk.

Governing Law

This limited warranty gives You specific legal rights, and You also may have other rights which vary from state to state. Some states do not allow limitations or exclusions on implied warranties or incidental or consequential damages, so the above limitations may not apply to You. This limited warranty is governed by the laws of the State of Minnesota, without regard to rules pertaining to conflicts of law. The state courts located in Dakota County, Minnesota shall have exclusive jurisdiction for any disputes relating to this warranty.



Distributed by
Northern Tool and Equipment Company, Inc.
Burnsville, Minnesota 55306
NorthernTool.com

Made in China