



Technical data

Voltage	U	240	V
Phase		1	~
Frequency	f	60	Hz
Speed	n	1680	RPM
Power consumption	P _e	110	W
Nominal current	I _{nom}	0.6	A
Maximum current	I _{max}	0.8	A
Cos φ		0.86	
Capacitor		02/400	μF/V
Ambient temperature	T _{amb min/max}	-13...104	°F
Insulation Class		CL.F	
IP Class		IP55	
Sound pressure level (6.6 ft)	L _{p (meas.)}	56	db(A)
Sound pressure level (23 ft)	L _{p (calc.)}	45	db(A)
Weight		15.8	Lbs.

Fan details

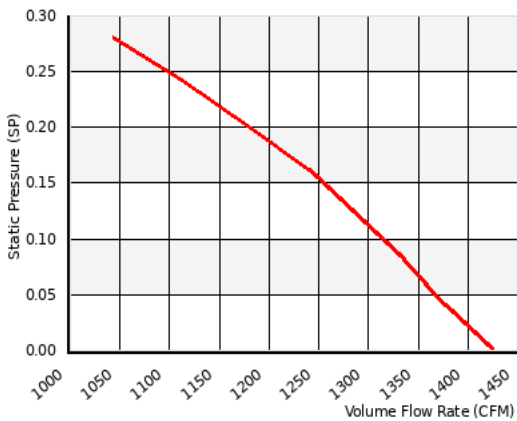
Impeller blades	6
Impeller type	3
Impeller system	C
Impeller material	PP

Control options

Triac controller	Yes
Transformer	Yes
Frequency drive	No

Characteristics

0.00 in. wg 1410 CFM
 0.20 in. wg 1180 CFM



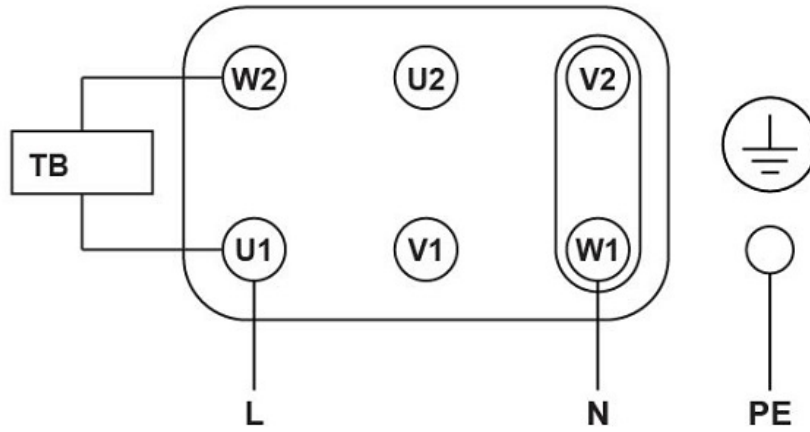
Please note: Picture may deviate from original product

Approval(s)



Wiring diagram

C1 - 1 Phase - Standard - CCW

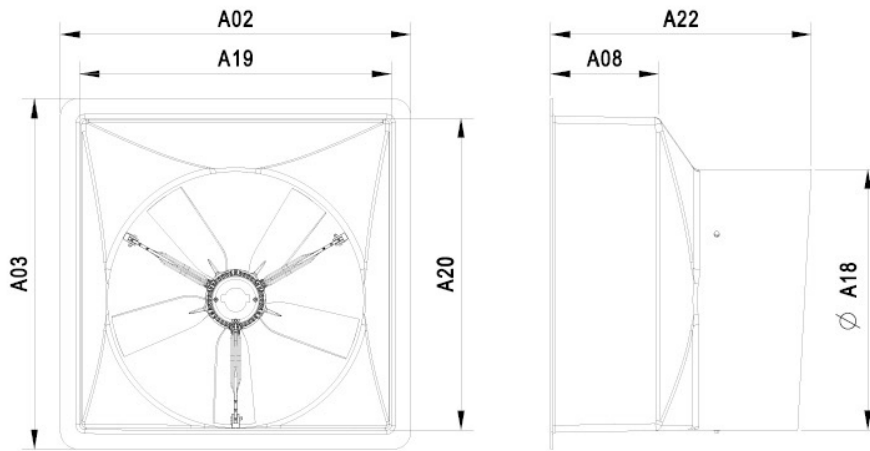


S0000010695A

Article number: S4124E2I

Tube mounting fans

Dimensions



A02:	19.3 inch
A03:	19.3 inch
A08:	9.5 inch
A18:	12.8 inch
A19:	15.0 inch
A20:	15.0 inch
A22:	24.0 inch