



### Technical data

Voltage	U	120	V
Phase		1	~
Frequency	f	60	Hz
Speed	n	1635	RPM
Power consumption	P <sub>e</sub>	250	W
Nominal current	I <sub>nom</sub>	2.5	A
Maximum current	I <sub>max</sub>	2.7	A
Cos φ		0.95	
Capacitor		20/250	μF/V
Ambient temperature	T <sub>amb min/max</sub>	-13...104	°F
Insulation Class		CL.F	
IP Class		IP55	
Weight		16.3	Lbs.

### Fan details

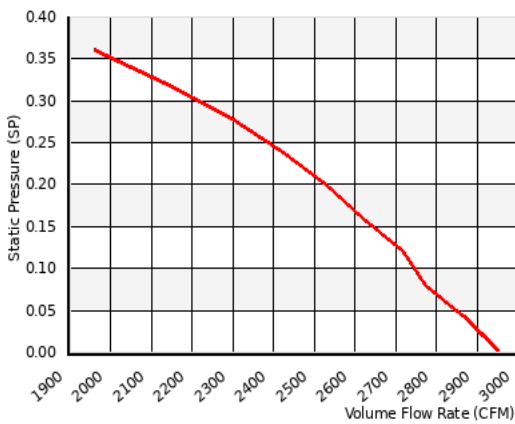
Impeller blades	6
Impeller type	3
Impeller system	C
Impeller material	PP

### Control options

Triac controller	Yes
Transformer	Yes
Frequency drive	No

### Characteristics

0.00 in. wg 2940 CFM  
 0.20 in. wg 2530 CFM



Please note: Picture may deviate from original product

### Approval(s)

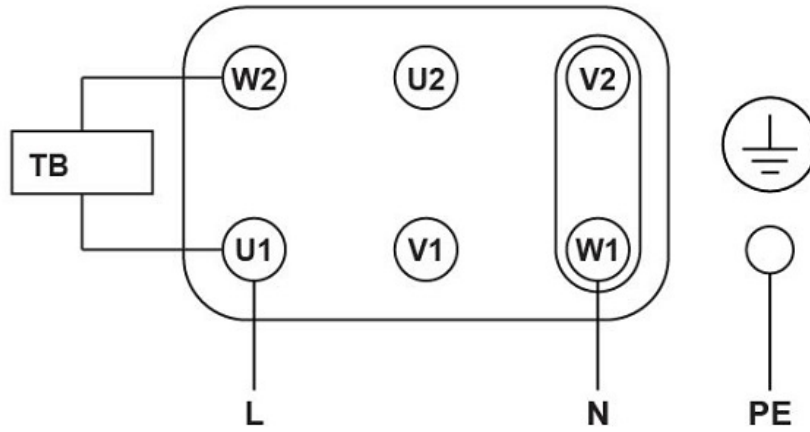


Article number: S4164E11

Tube mounting fans

### Wiring diagram

C1 - 1 Phase - Standard - CCW

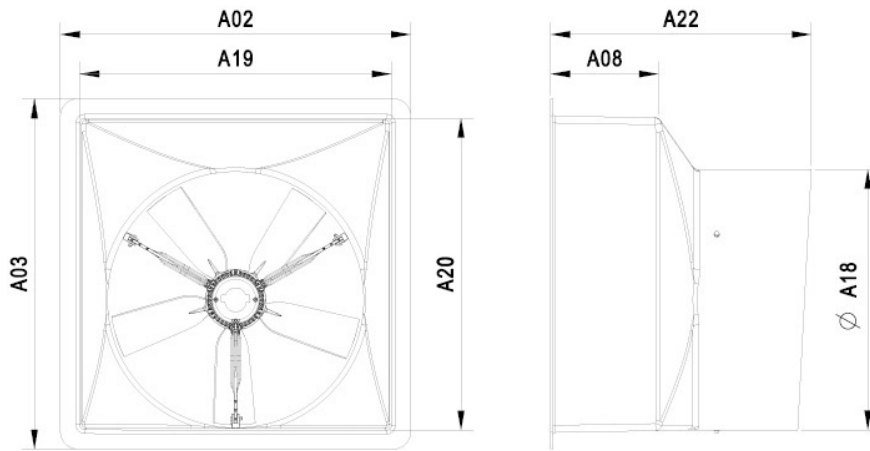


S0000010695A

Article number: S4164E11

Tube mounting fans

### Dimensions



A02:	23.3 inch
A03:	23.3 inch
A08:	9.0 inch
A18:	17.0 inch
A19:	19.0 inch
A20:	19.0 inch
A22:	24.0 inch