



Technical data

Voltage	U	120	V
Phase		1	~
Frequency	f	60	Hz
Speed	n	1600	RPM
Power consumption	P _e	410	W
Nominal current	I _{nom}	3.3	A
Maximum current	I _{max}	4.4	A
Cos φ		0.97	
Capacitor		20/250	μF/V
Ambient temperature	T _{amb min/max}	-13...104	°F
Insulation Class		CL.F	
IP Class		IP55	
Weight		22.1	Lbs.

Fan details

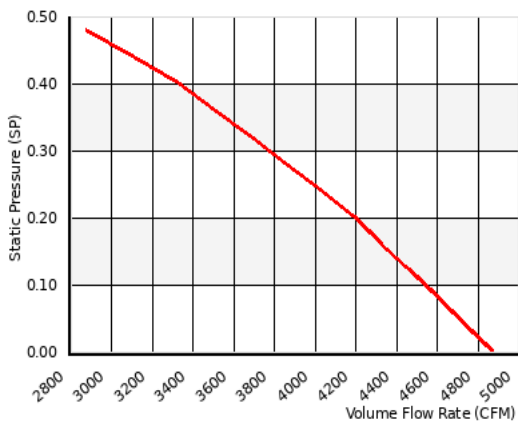
Impeller blades	6
Impeller type	3
Impeller system	C
Impeller material	PP

Control options

Triac controller	Yes
Transformer	Yes
Frequency drive	No

Characteristics

0.00 in. wg 4880 CFM
 0.20 in. wg 4210 CFM



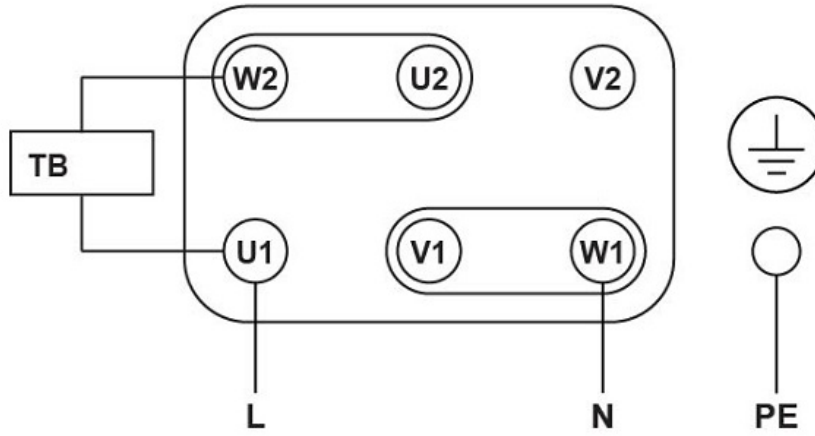
Please note: Picture may deviate from original product

Approval(s)



Wiring diagram

C2 - 1 Phase - Dual Low voltage - CCW

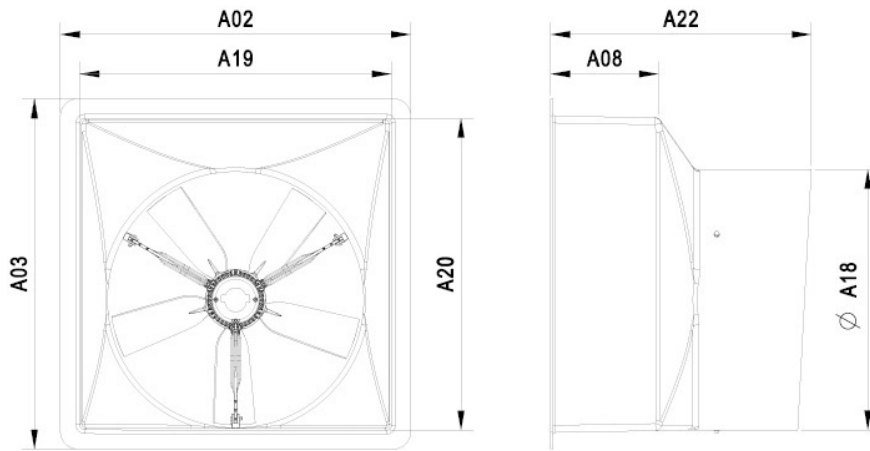


S0000010696A

Article number: S4204E11

Tube mounting fans

Dimensions



A02:	27.3 inch
A03:	27.3 inch
A08:	9.0 inch
A18:	21.0 inch
A19:	23.0 inch
A20:	23.0 inch
A22:	25.3 inch